



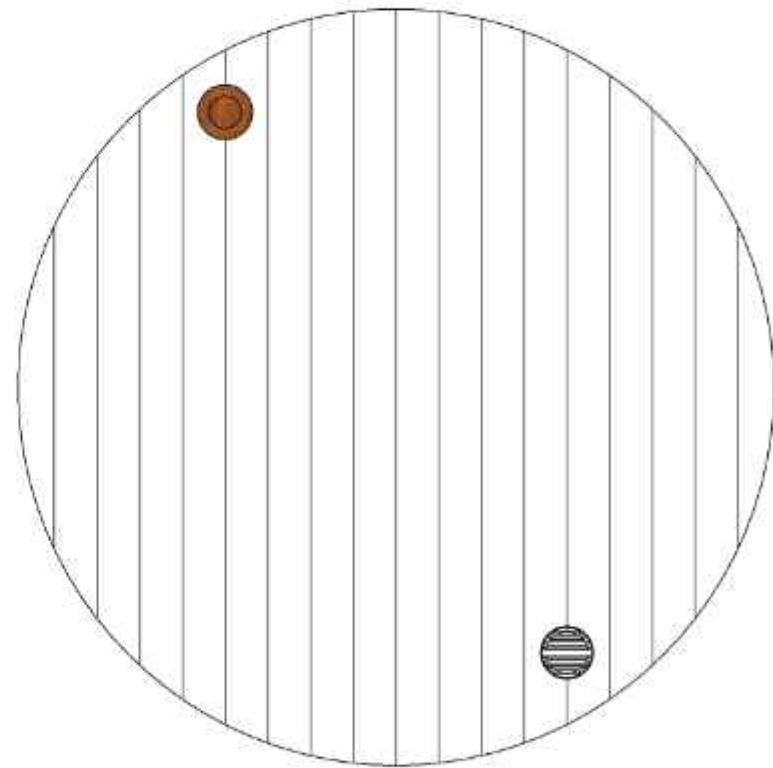
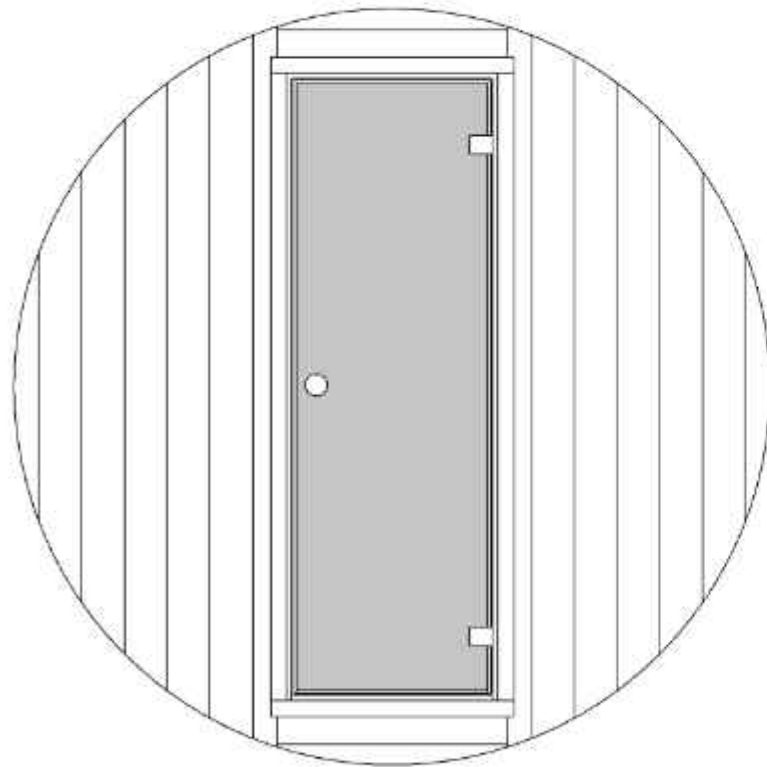
Ergo-Series E8 Barrel Sauna
87D" x 81H"



Note: Please read manual before construction

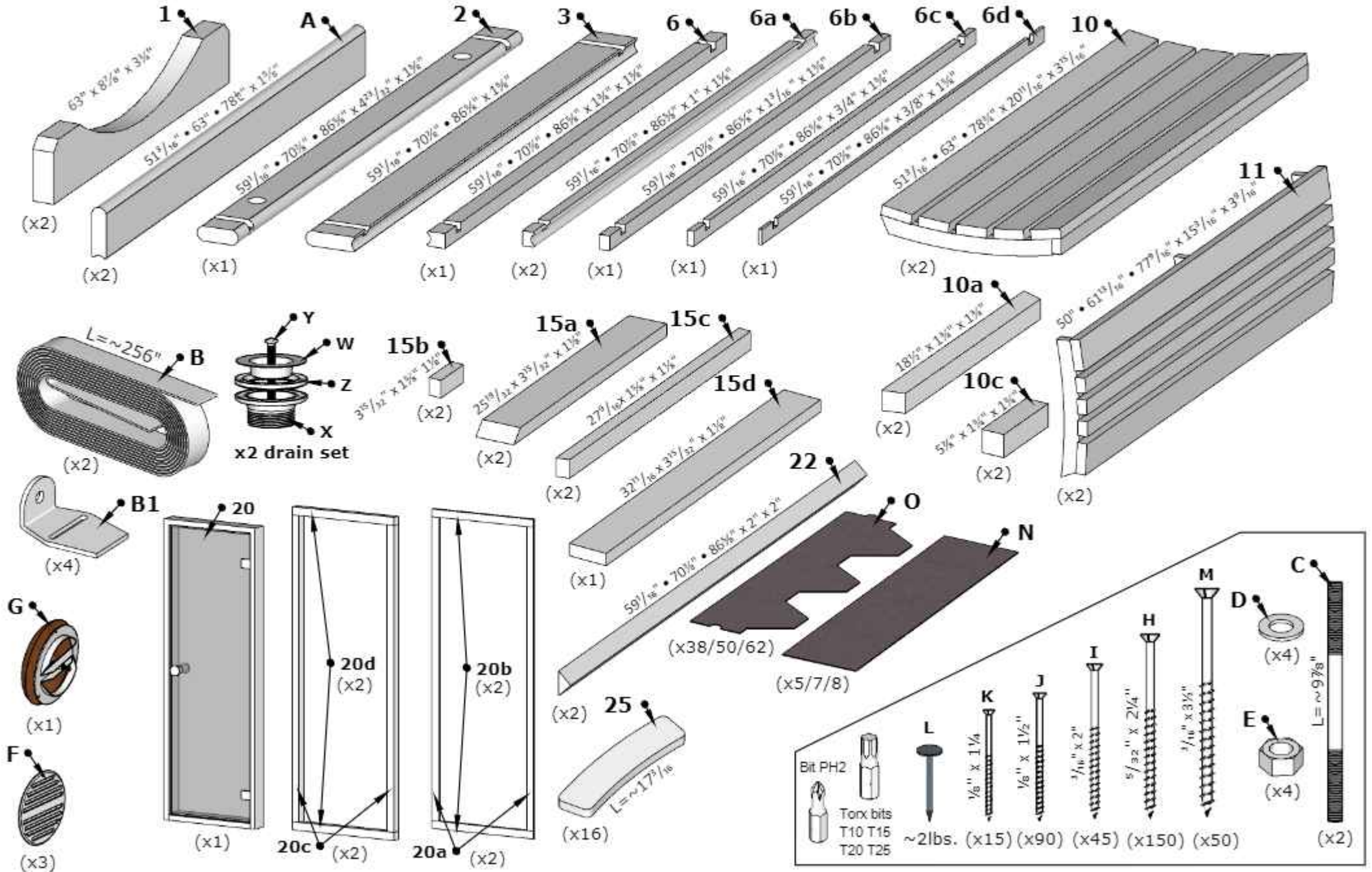
Rev 4/2023

Front & Back Walls



E8 Barrel Sauna 87D" x 81H"

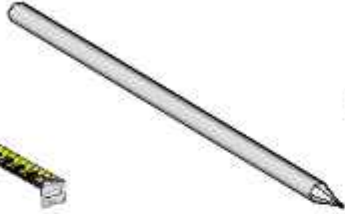
Details list.



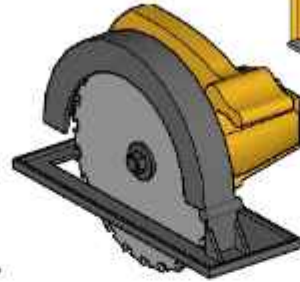
Tools needed



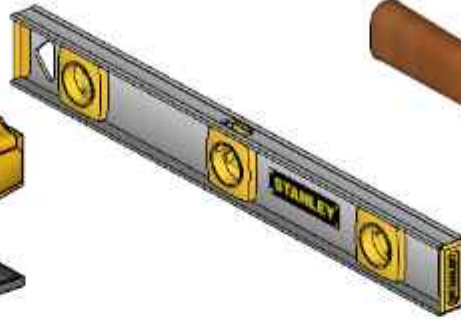
Measuring tape



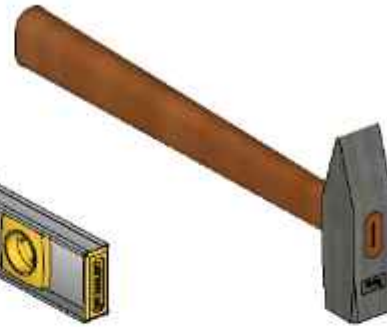
Marker pen



Circular saw



Water level



Hammer



Extra hands



Ratchet strap



Silicone gun
(Only glass-wall models)



Drill



Crescent wrench



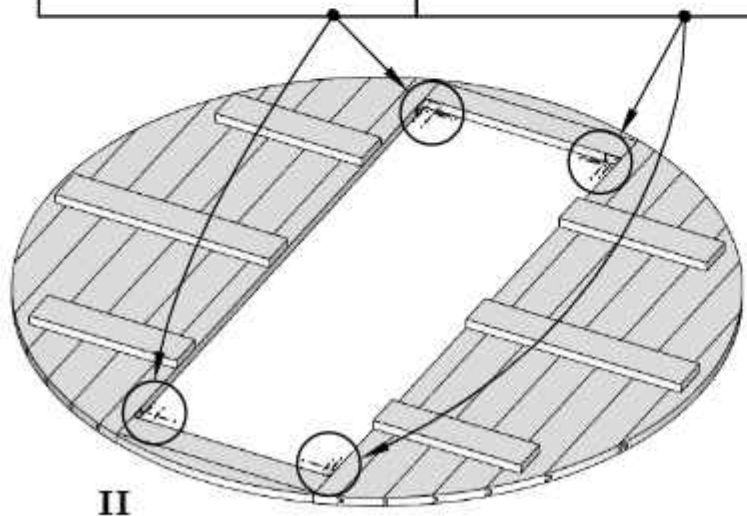
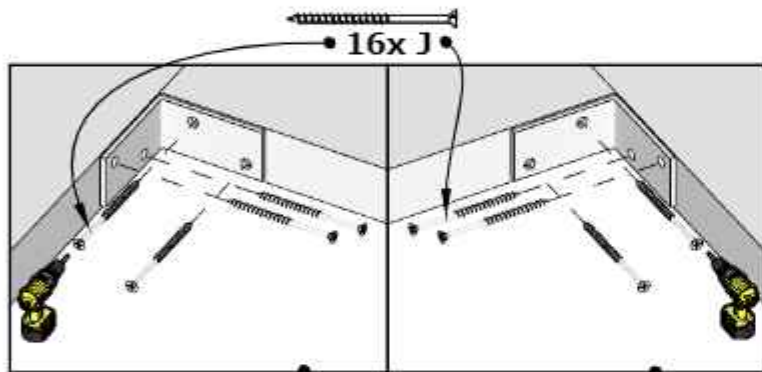
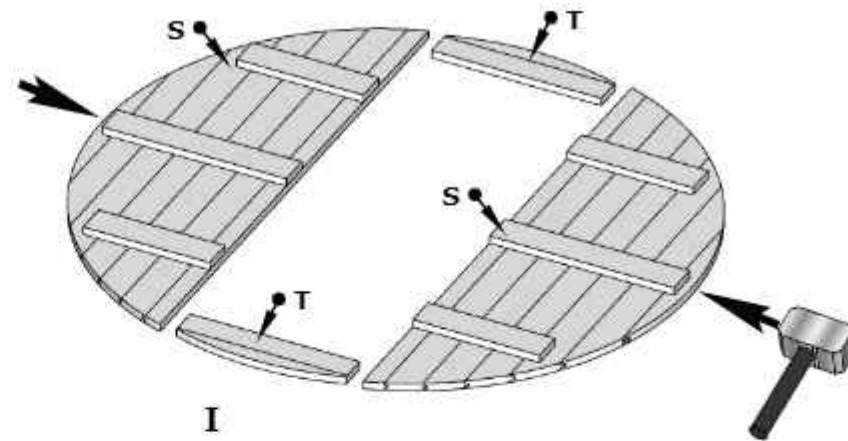
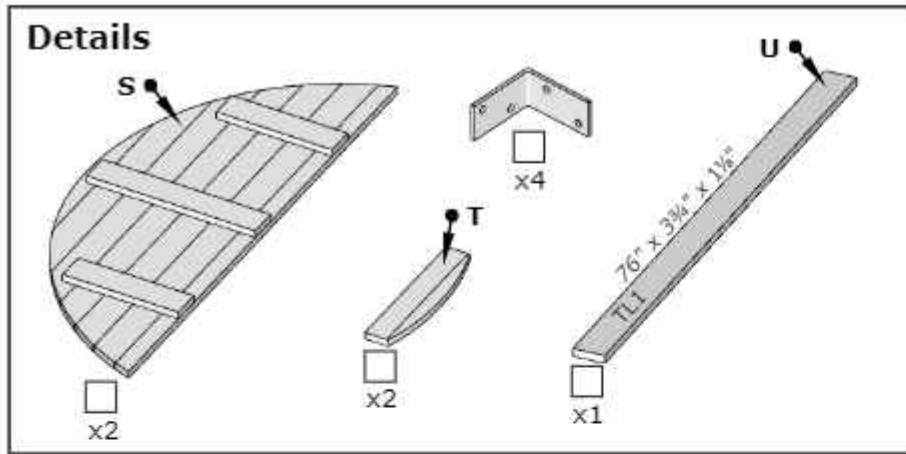
Utility knife



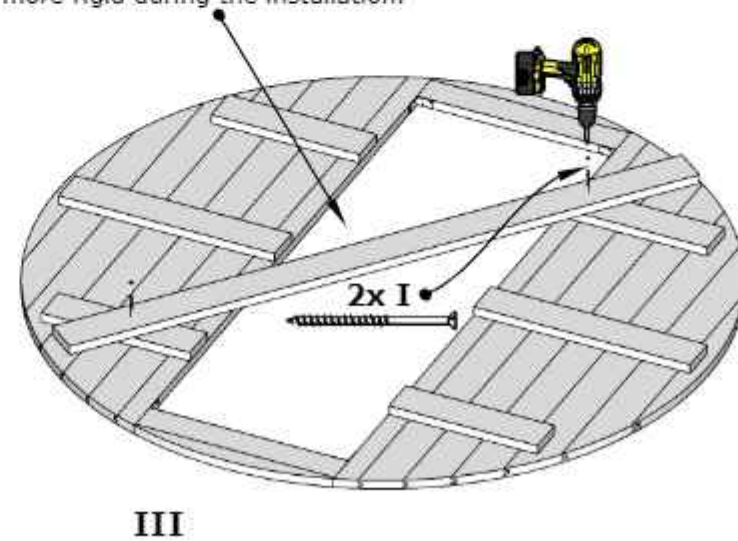
Rubber mallet

Wooden front wall installation

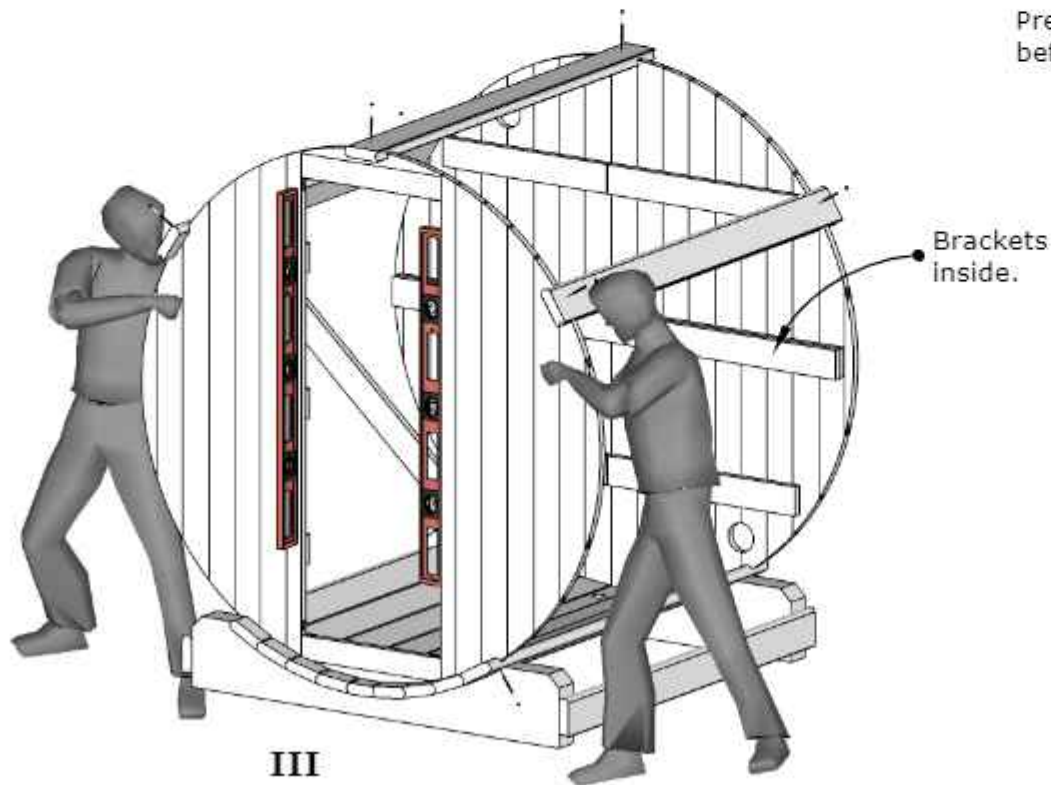
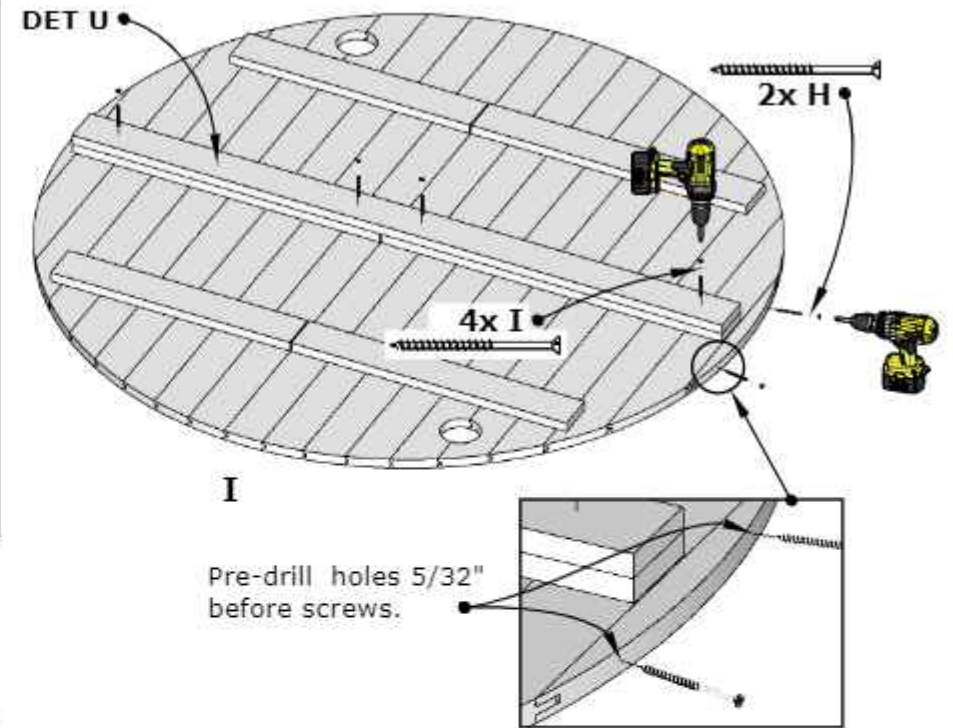
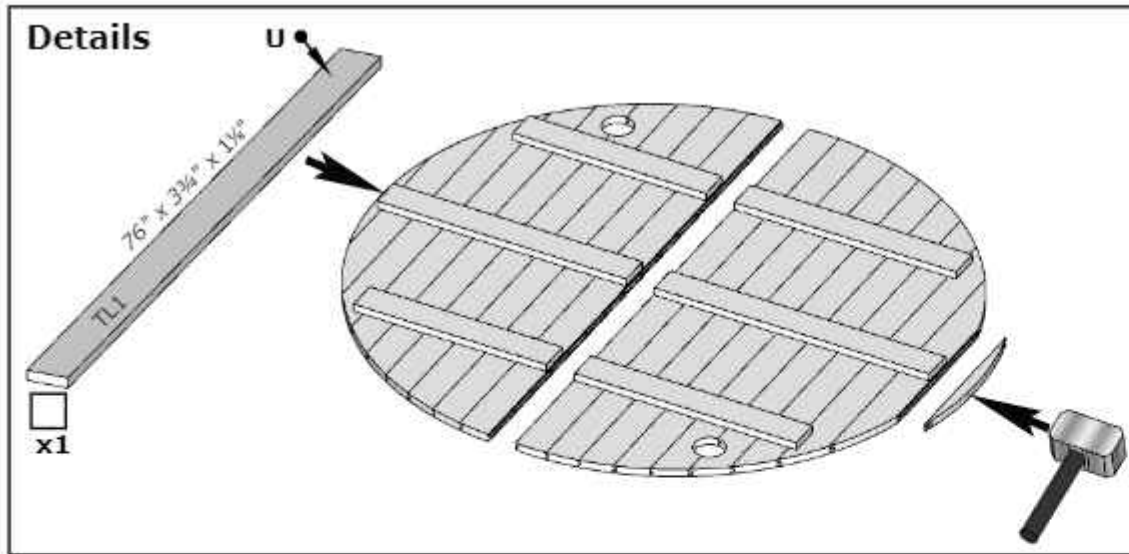
Details



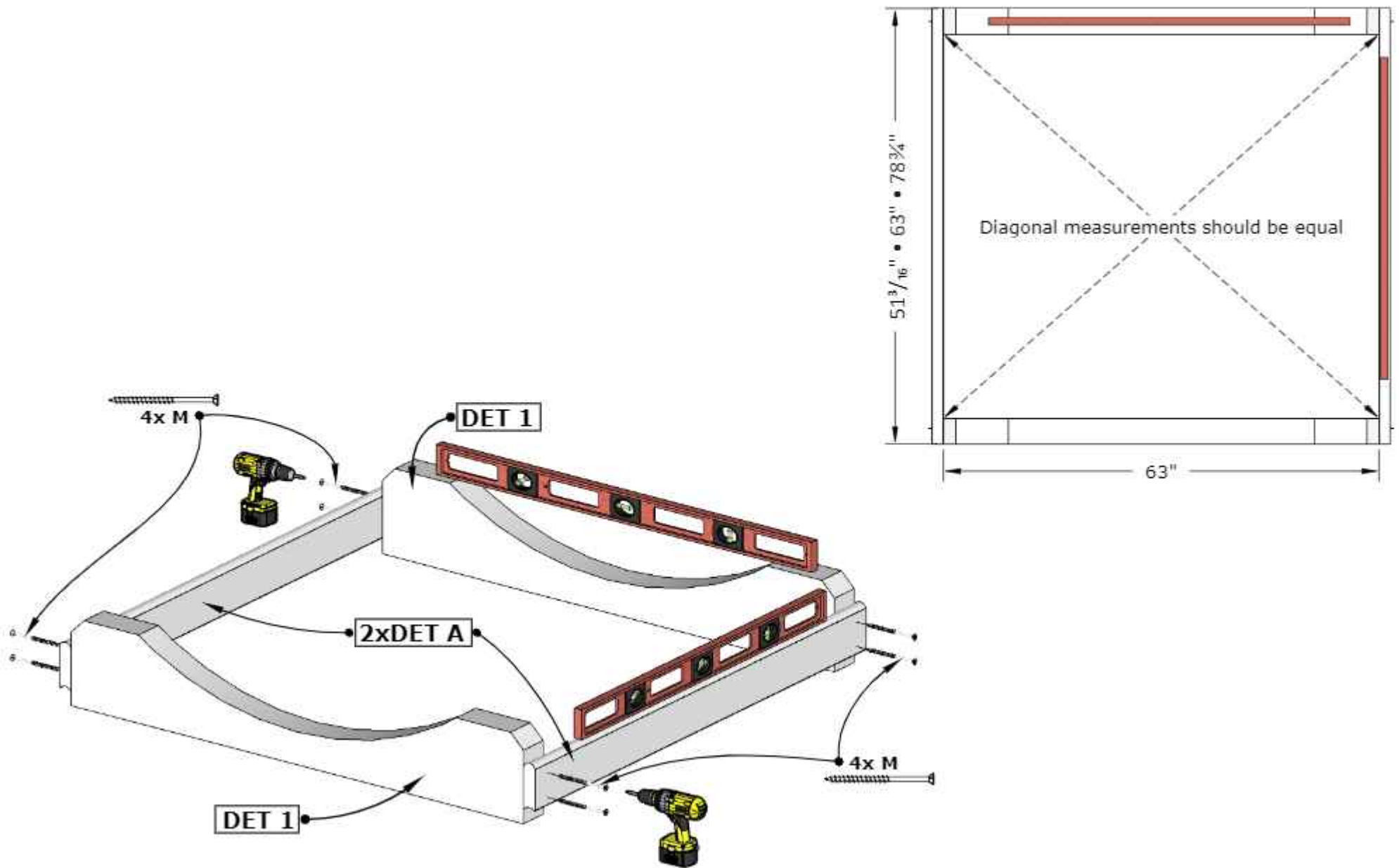
DET U Fix it diagonally to make wall more rigid during the installation.



Wooden back wall installation

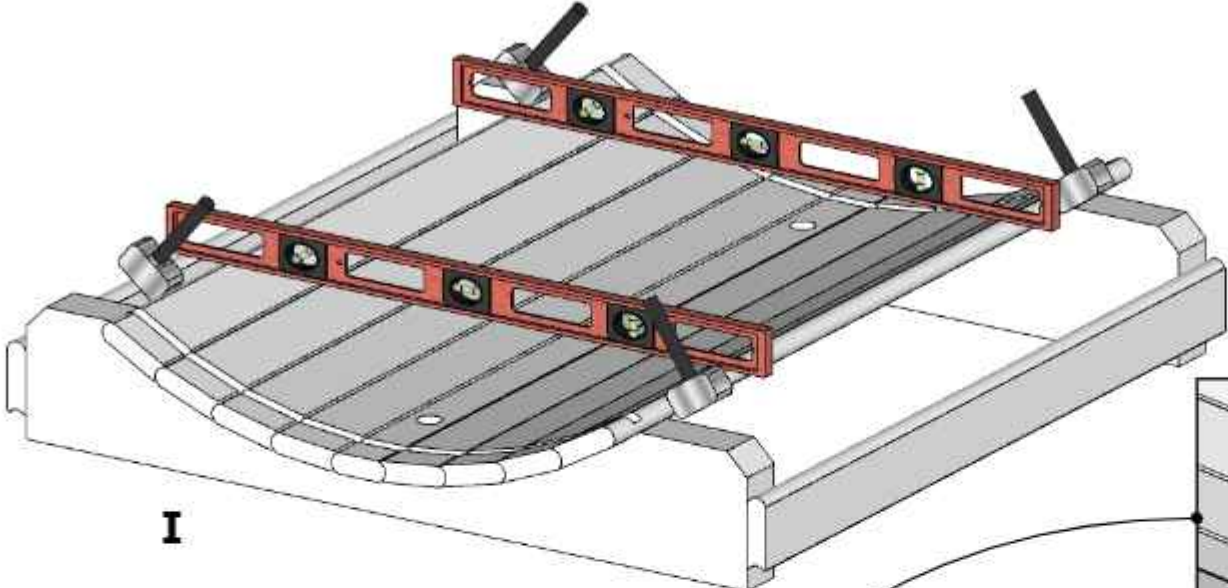


E8 Barrel Sauna 87D" x 81H"

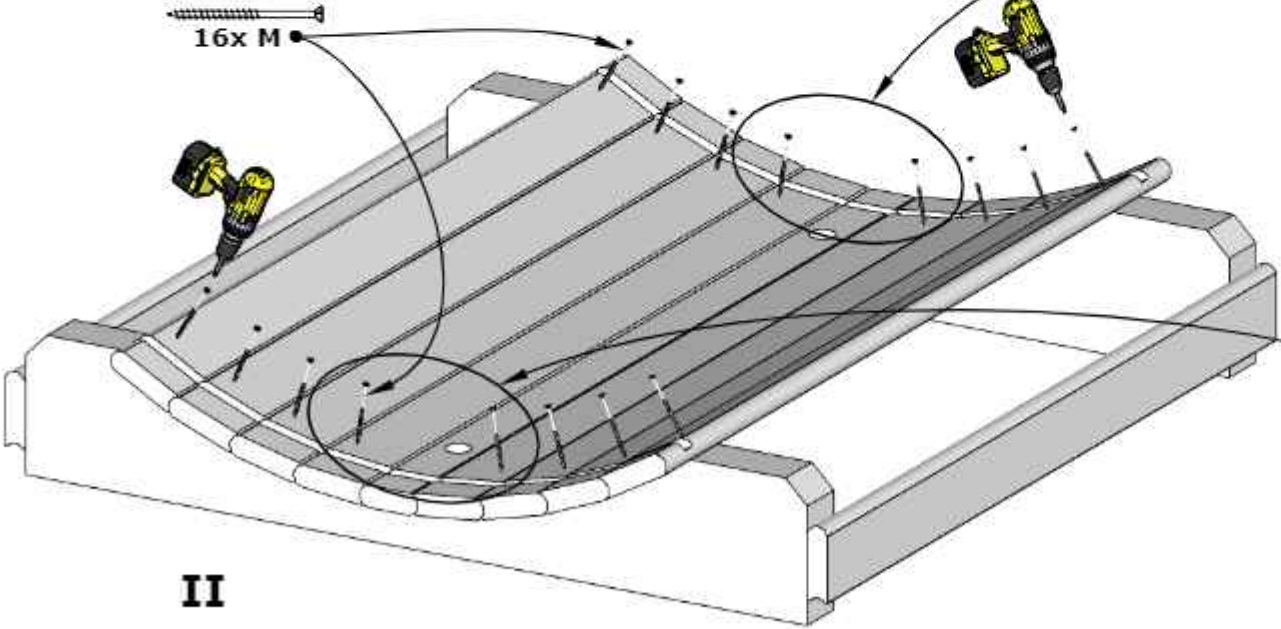


1.

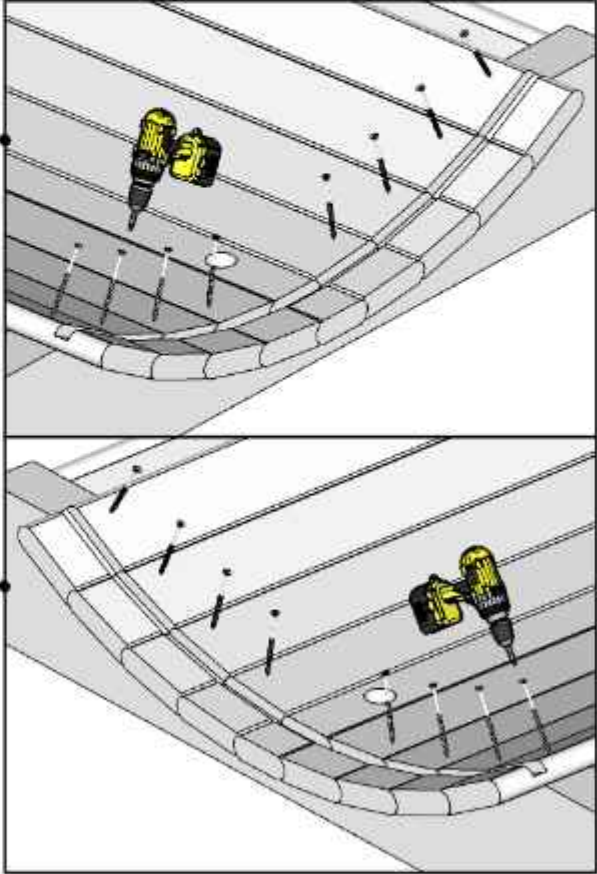
E8 Barrel Sauna 87D" x 81H"



I

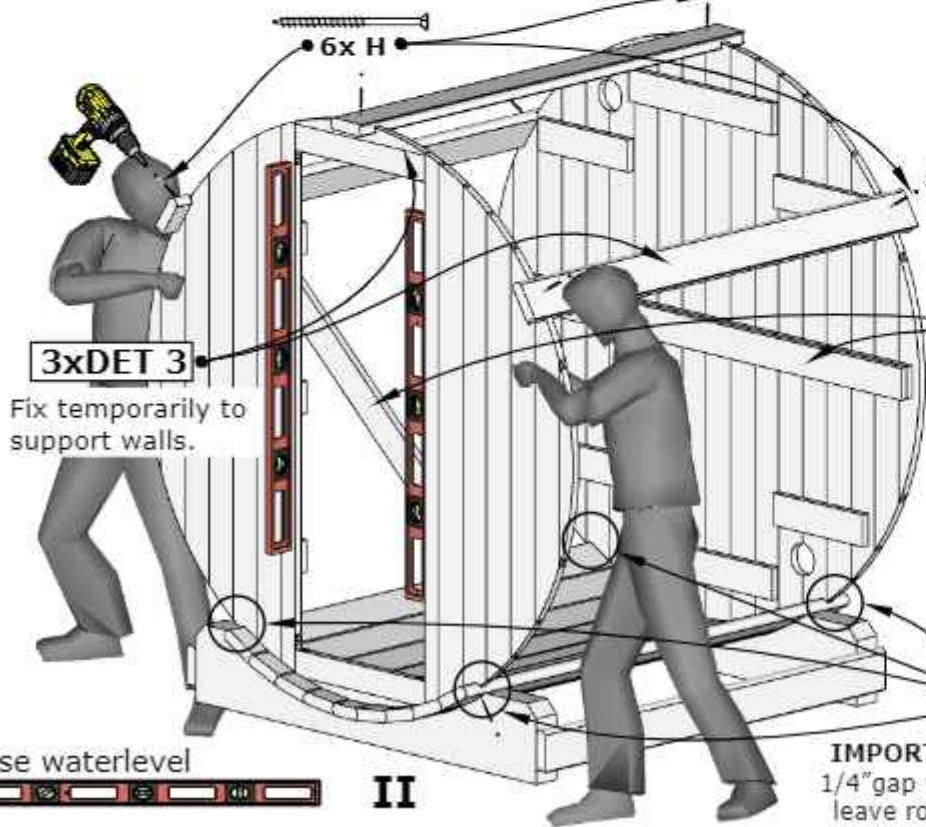
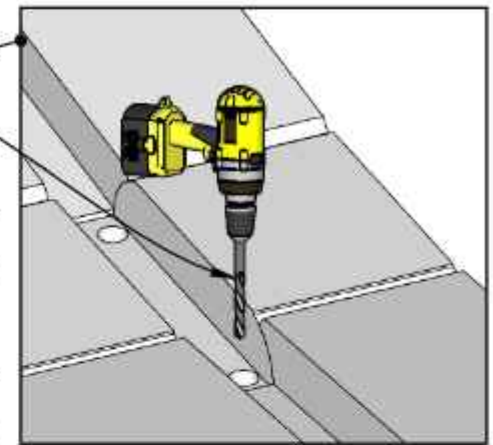
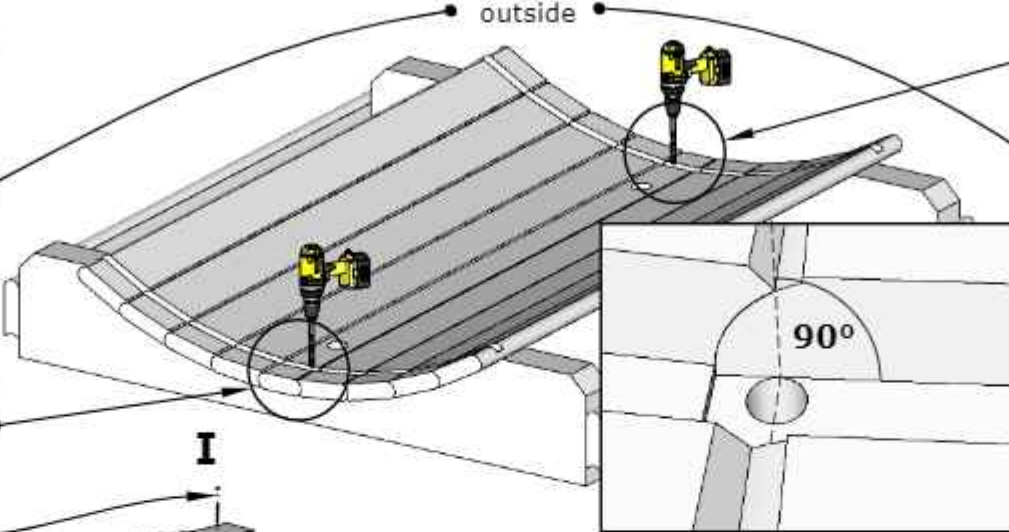
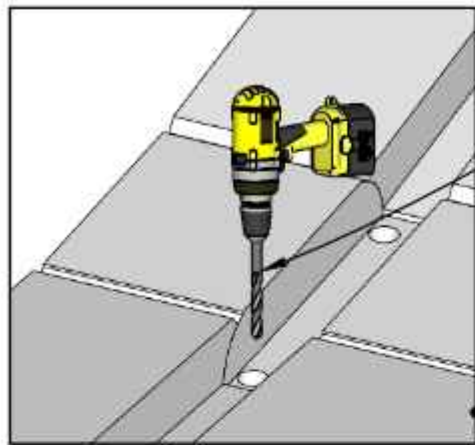


II



E8 Barrel Sauna 87D" x 81H"

Drill 4 holes $\varnothing 1/2"$
through DET 2
outside

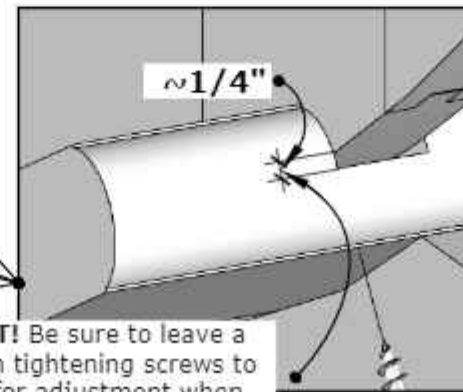


3xDET 3
Fix temporarily to
support walls.

Brackets inside

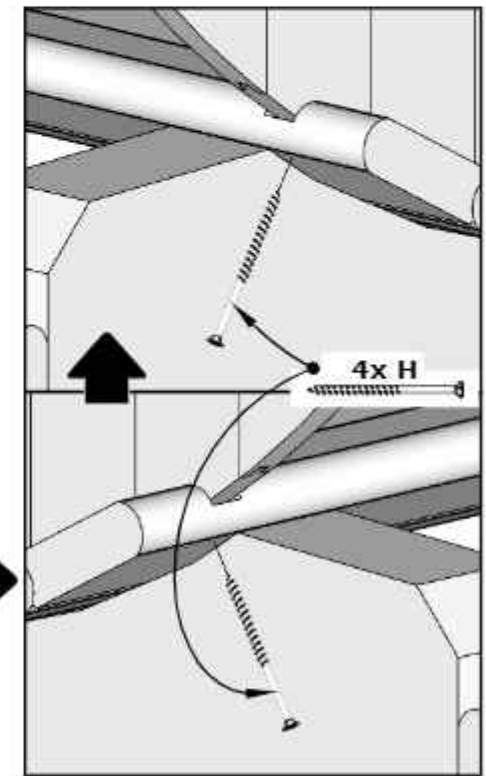
Use waterlevel

II



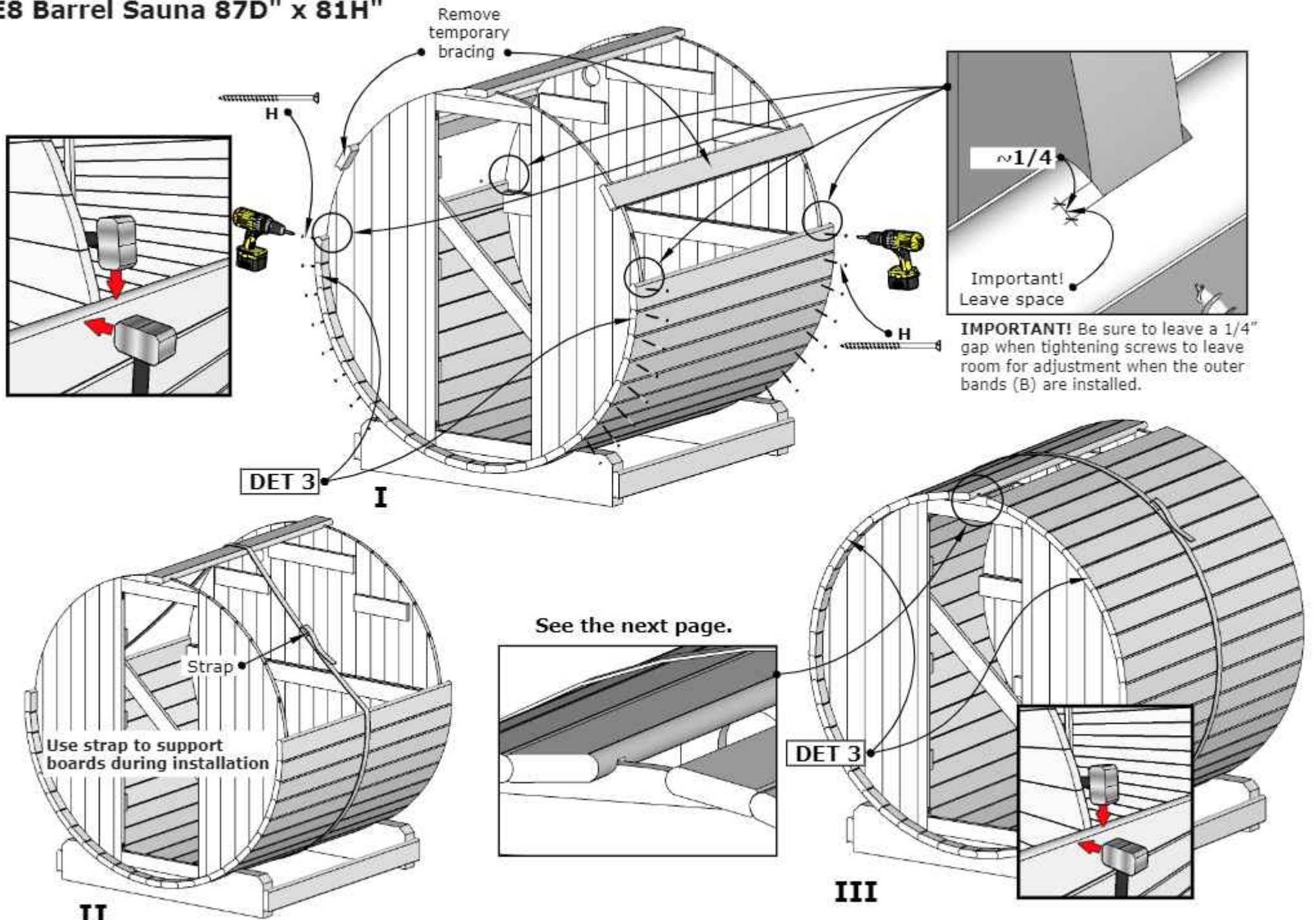
$\sim 1/4"$

IMPORTANT! Be sure to leave a $1/4"$ gap when tightening screws to leave room for adjustment when the outer bands (B) are installed.

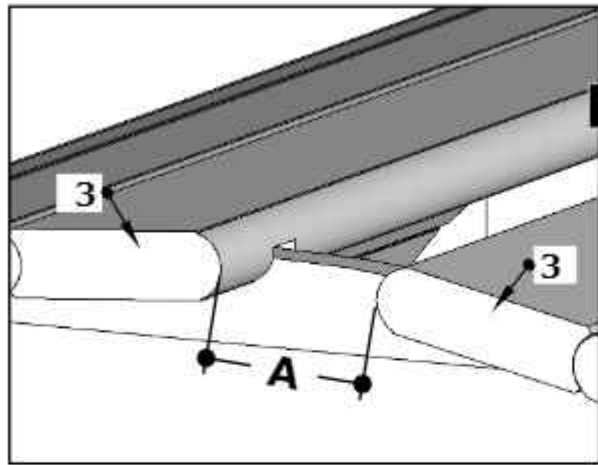


4x H

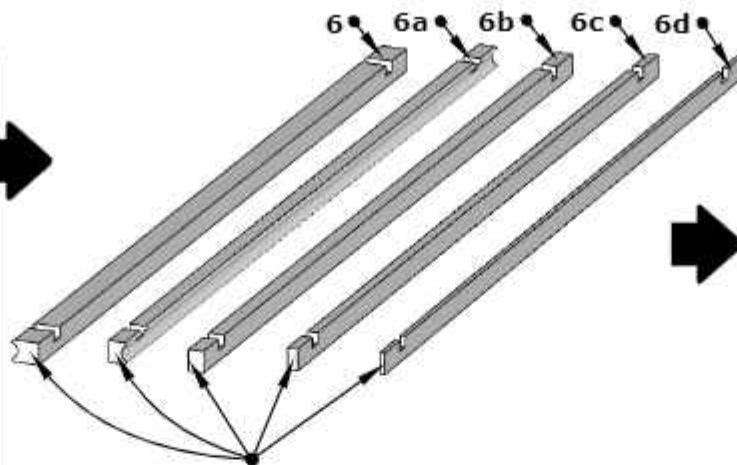
E8 Barrel Sauna 87D" x 81H"



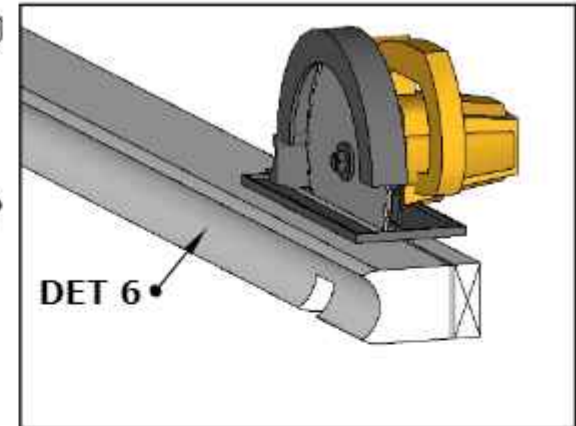
E8 Barrel Sauna 87D" x 81H"



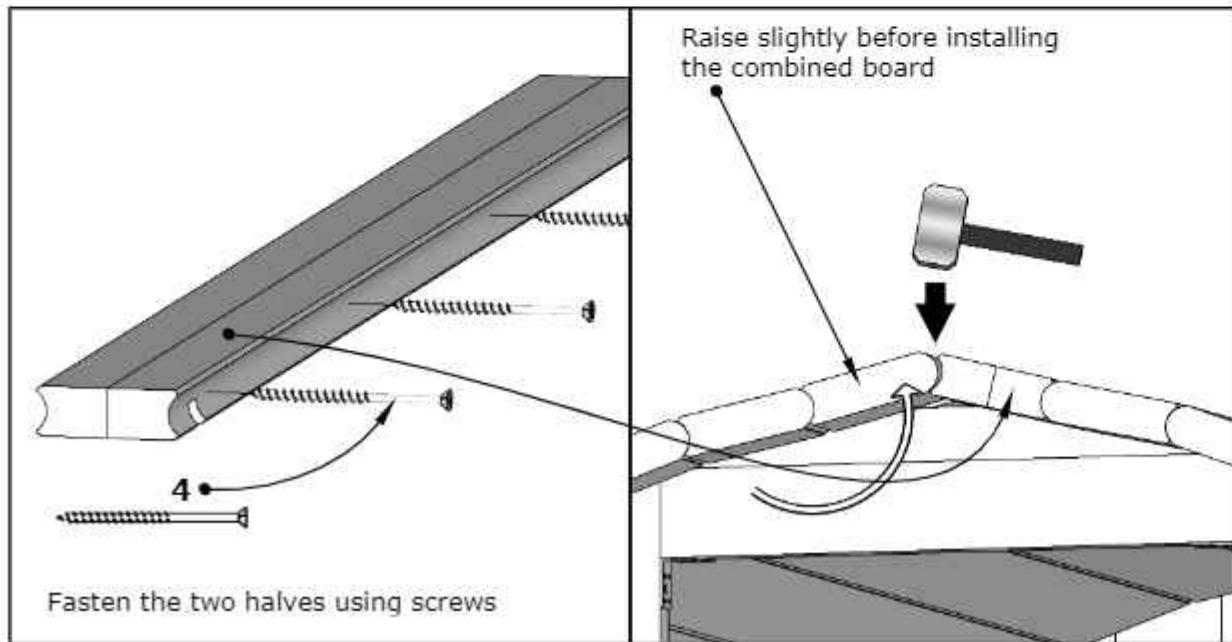
I



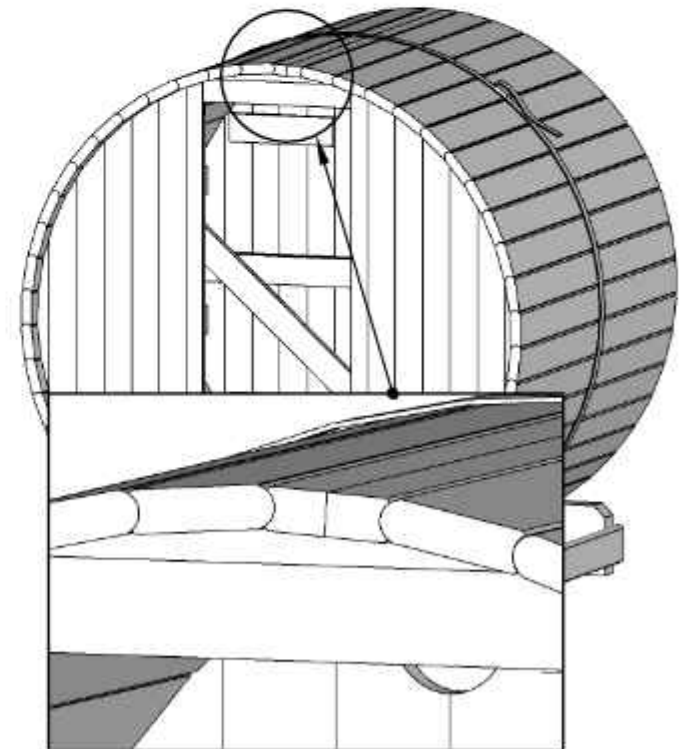
Join two boards together (as shown in diagram II) that will bridge the width of the "A" gap. It is recommended that the combined boards are approximately 1/4" wider than the gap.



If needed, trim the flat edge of the board to create the desired width.

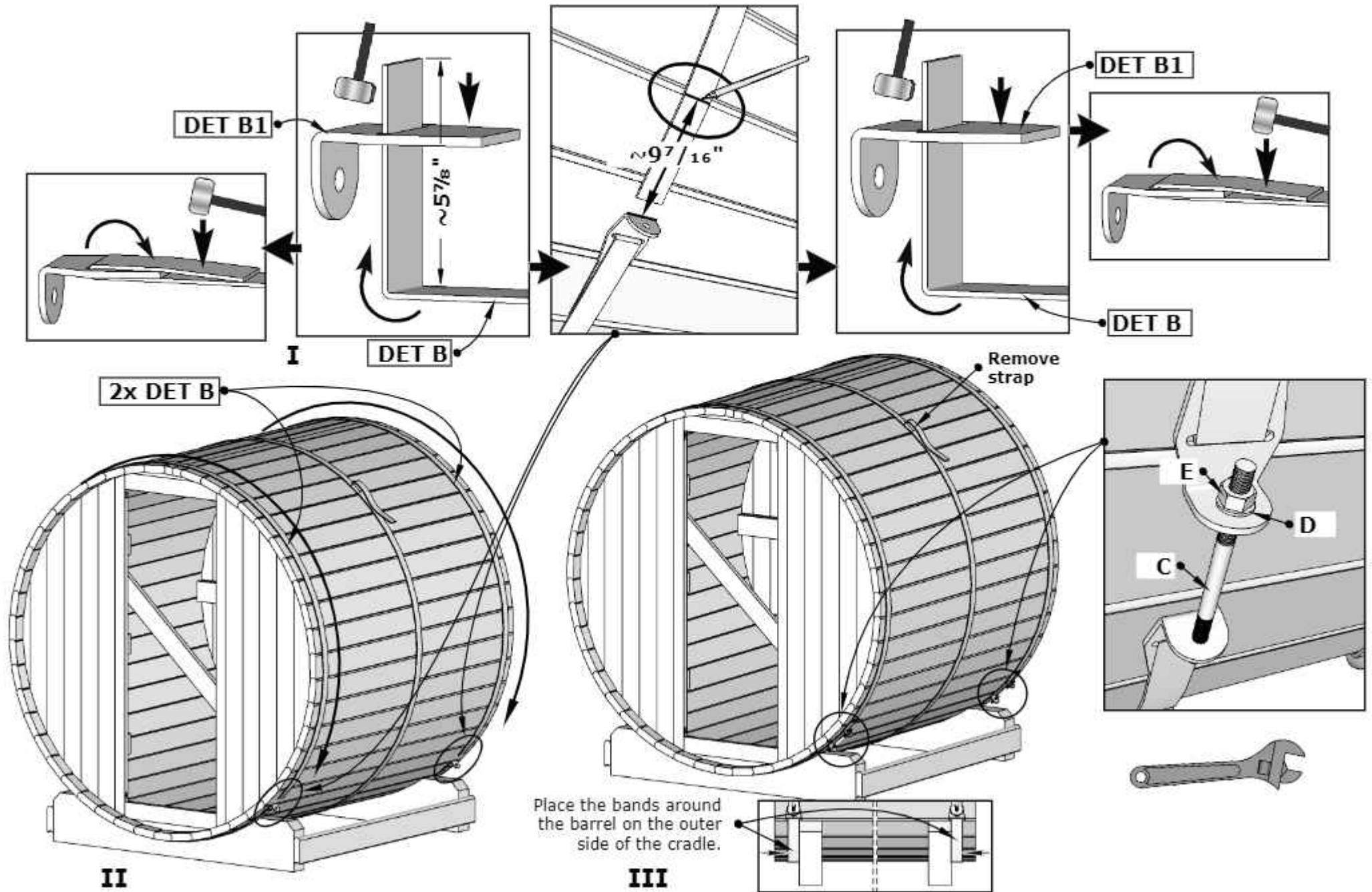


II



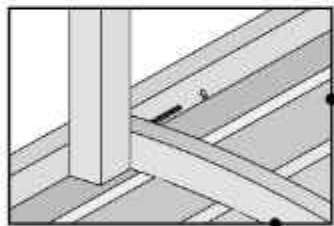
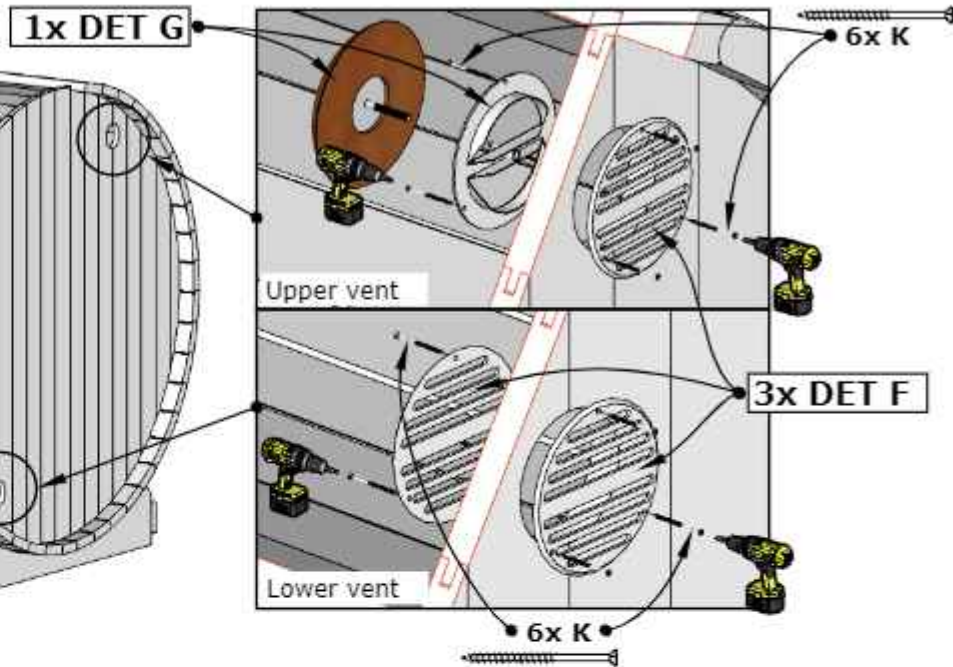
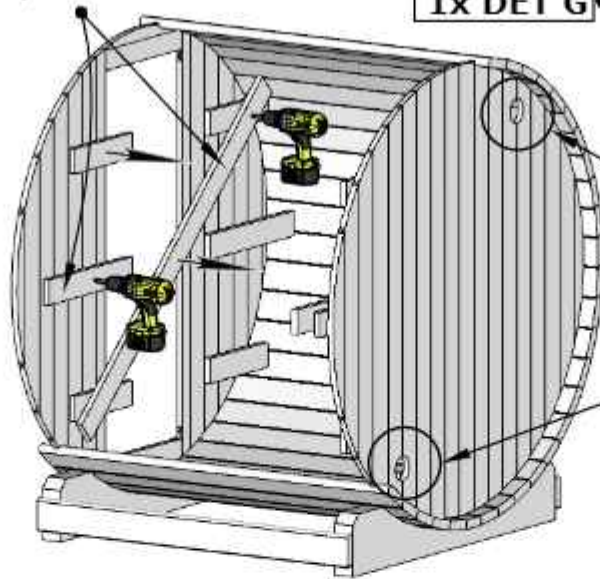
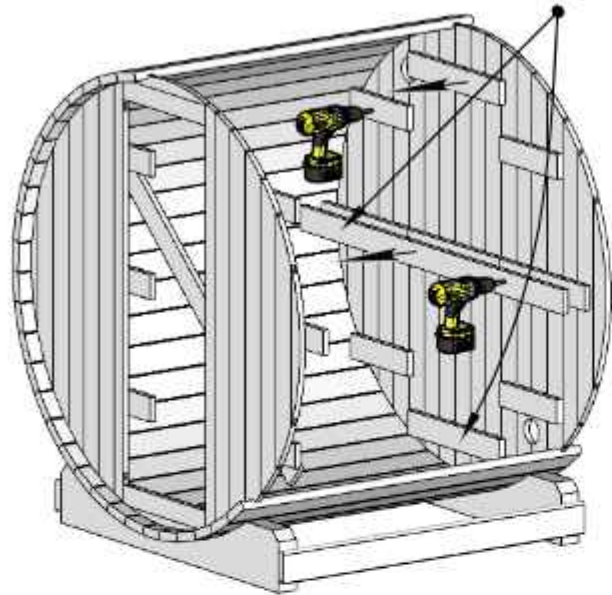
III

E8 Barrel Sauna 87D" x 81H"



E8 Barrel Sauna 87D" x 81H"

Remove all temporary braces

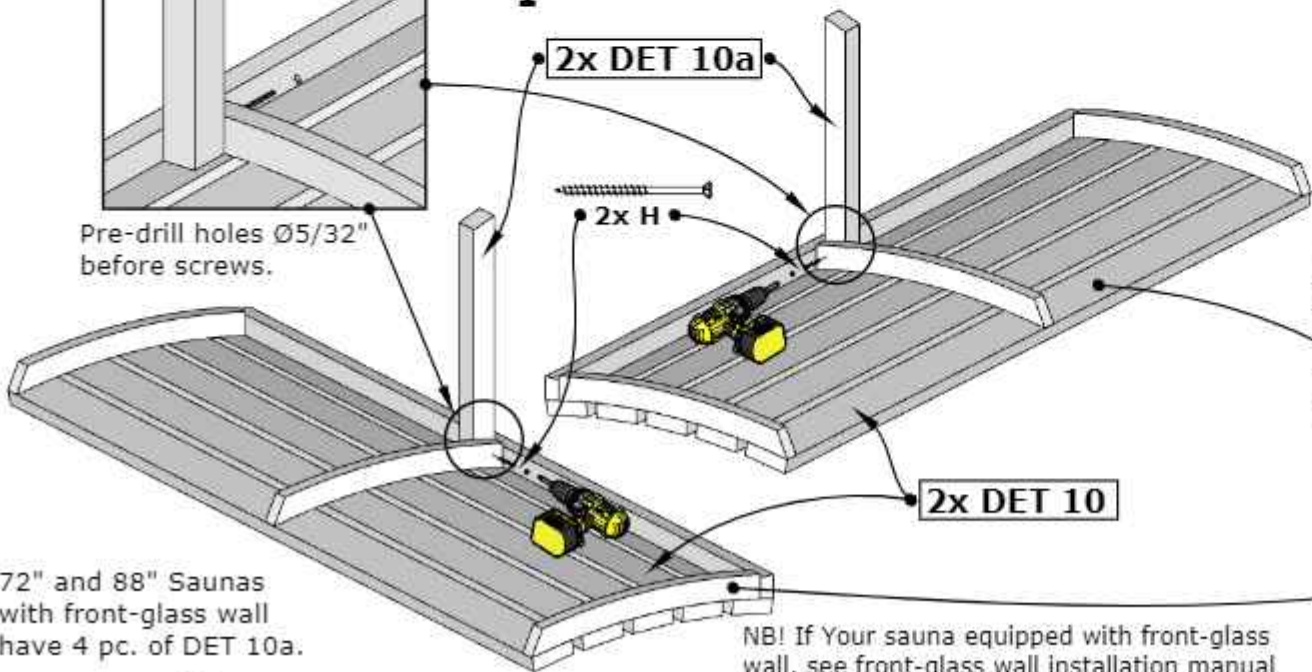


Pre-drill holes Ø5/32" before screws.

I

2x DET 10a

2x H



2x DET 10

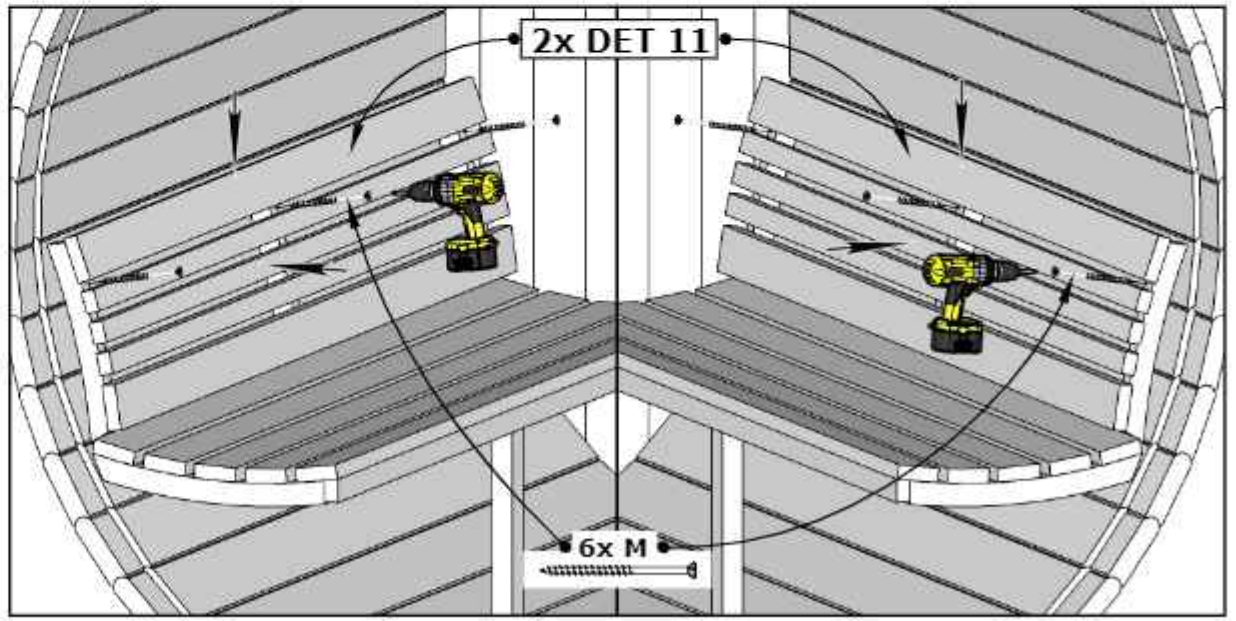
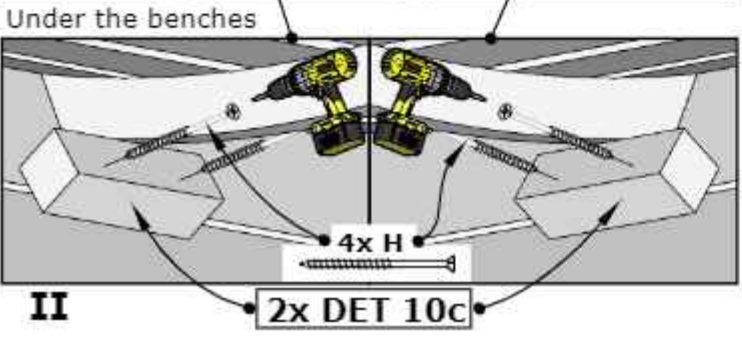
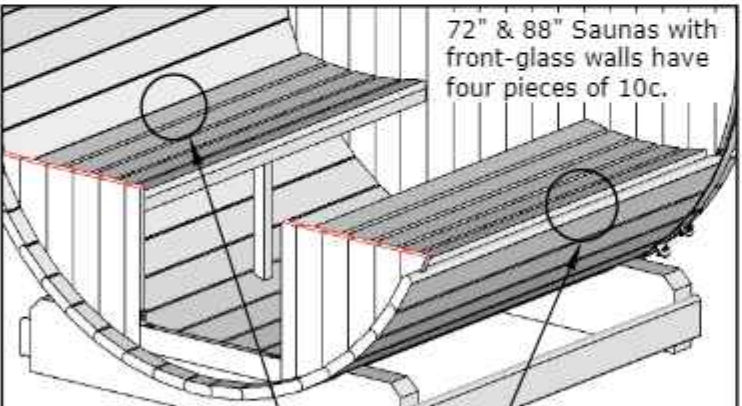
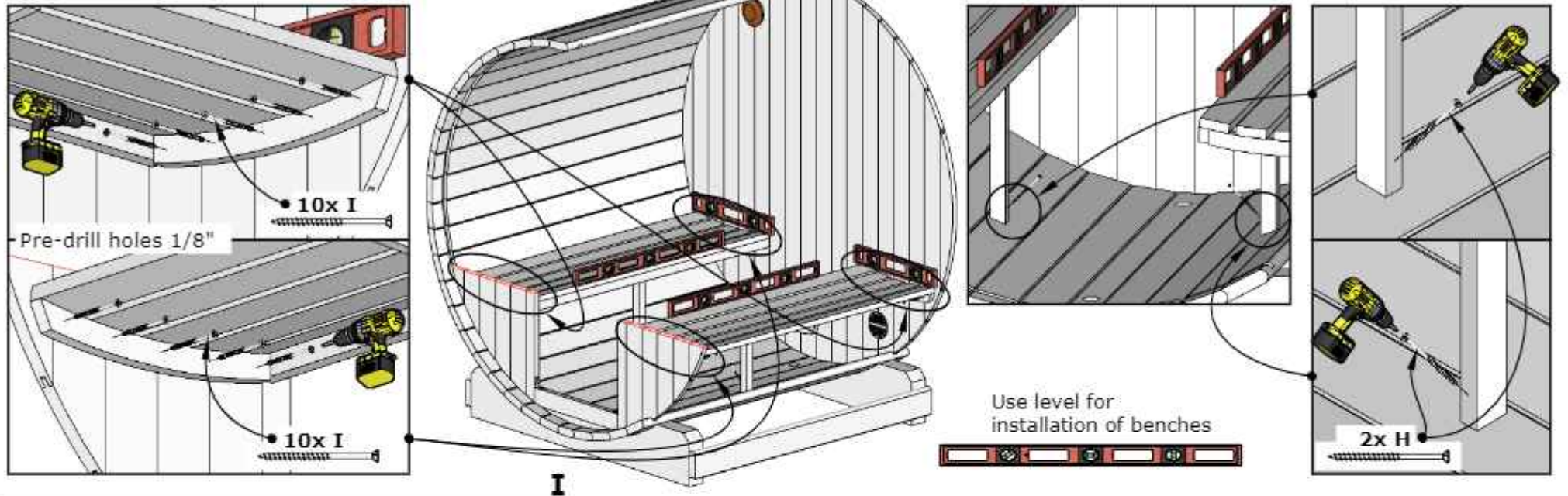
72" and 88" Saunas with front-glass wall have 4 pc. of DET 10a.

NB! If Your sauna equipped with front-glass wall, see front-glass wall installation manual for proper benches installation.

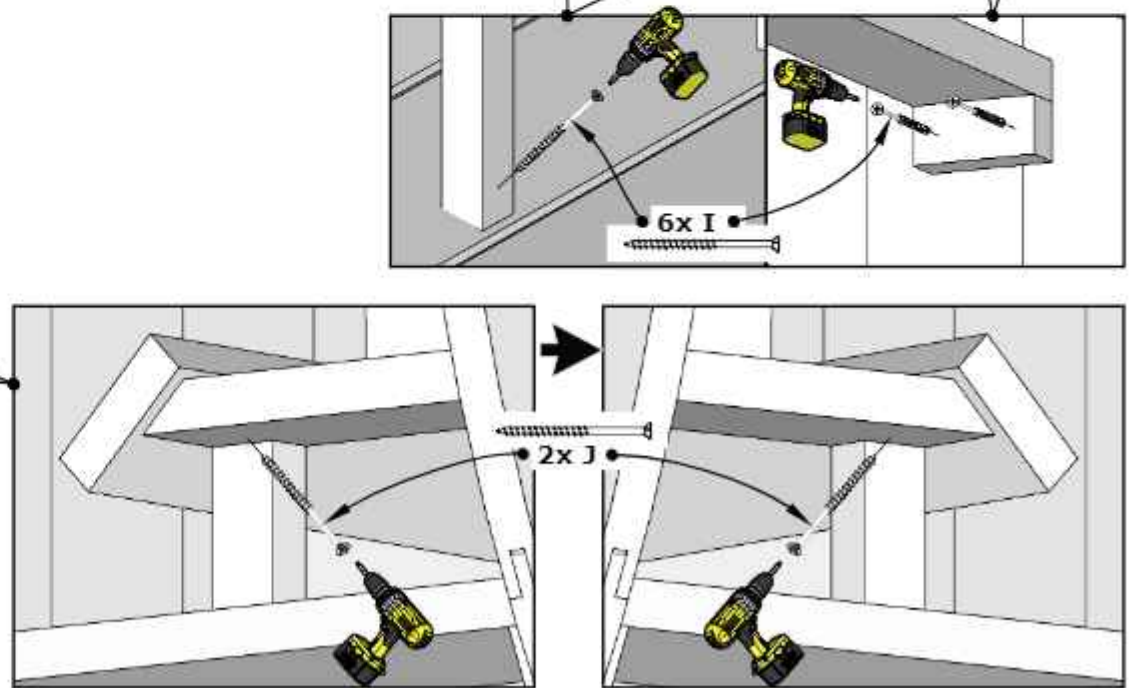
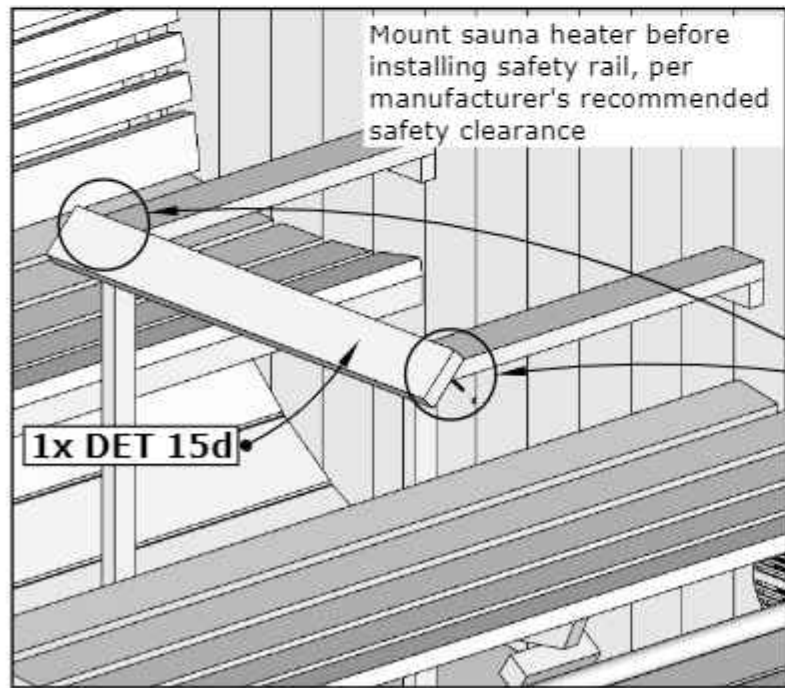
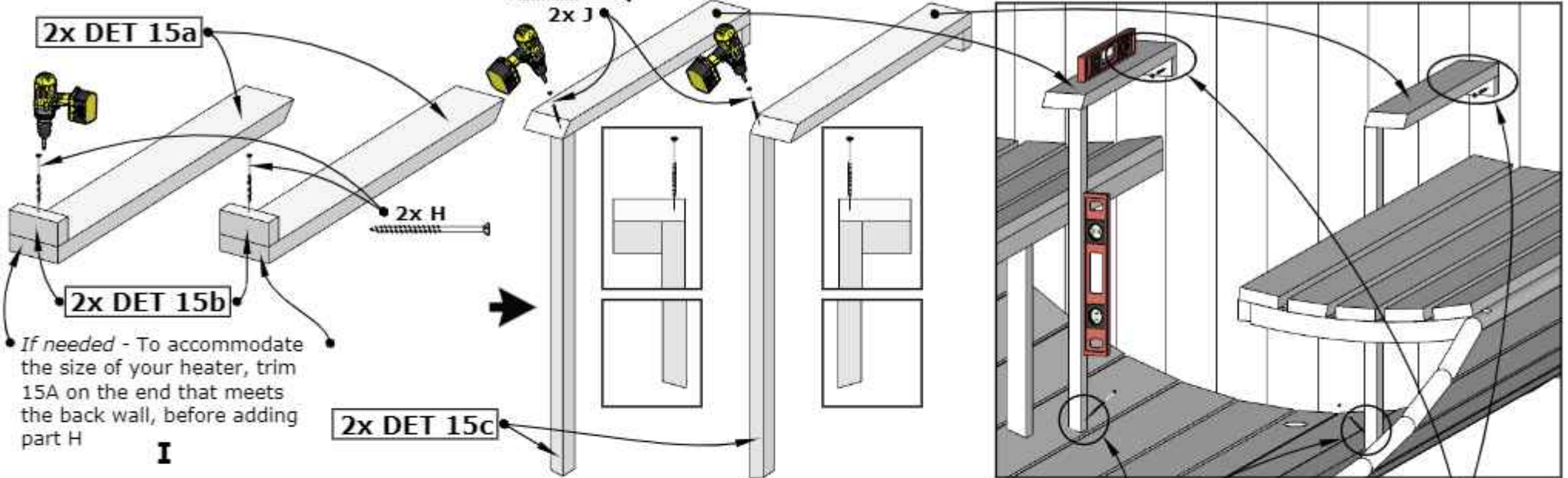


III

E8 Barrel Sauna 87D" x 81H"

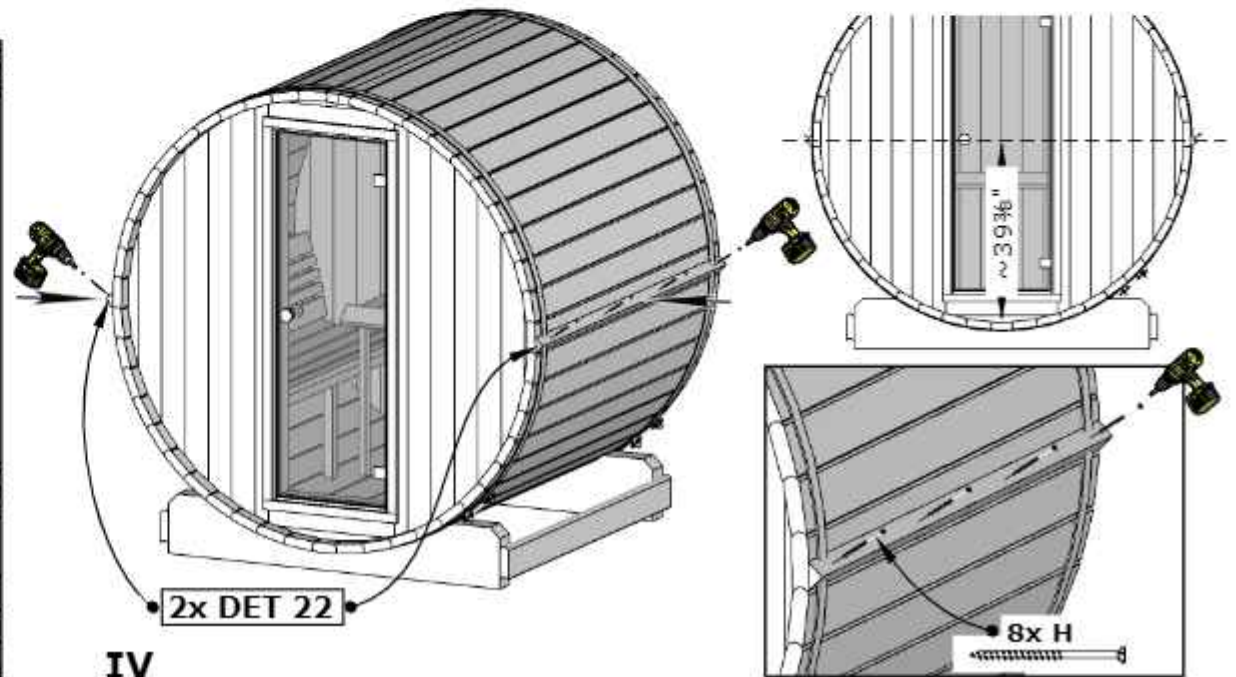
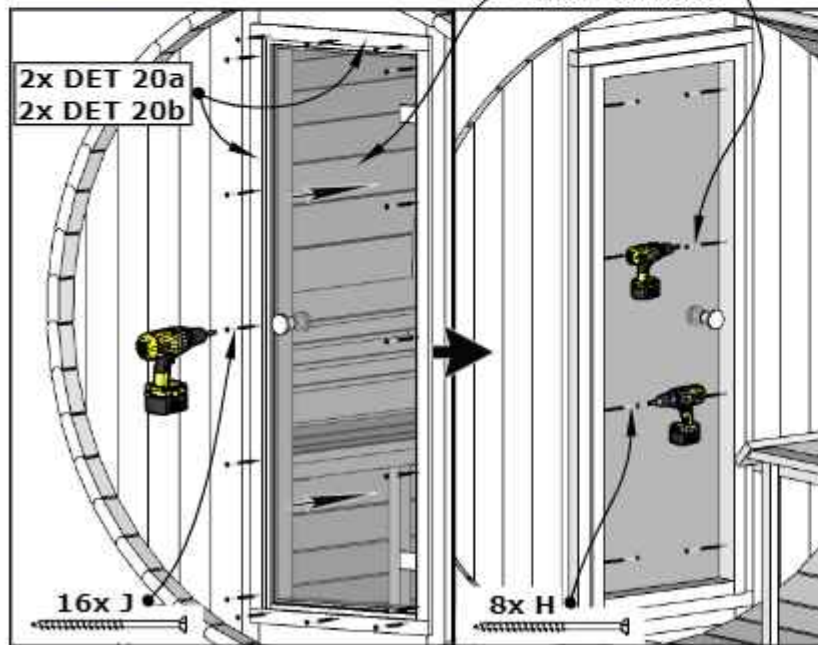
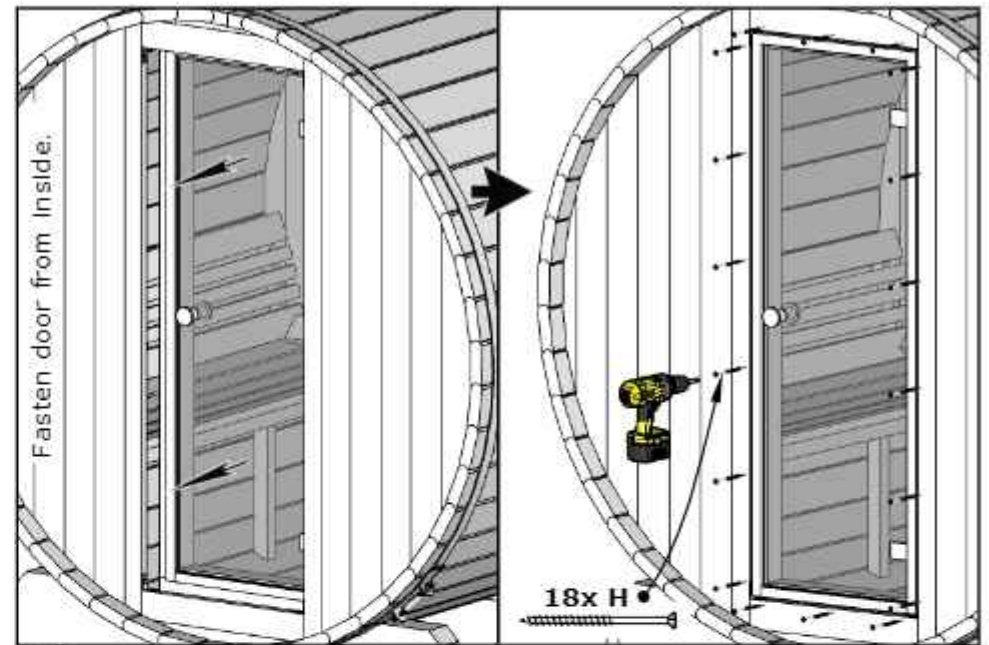
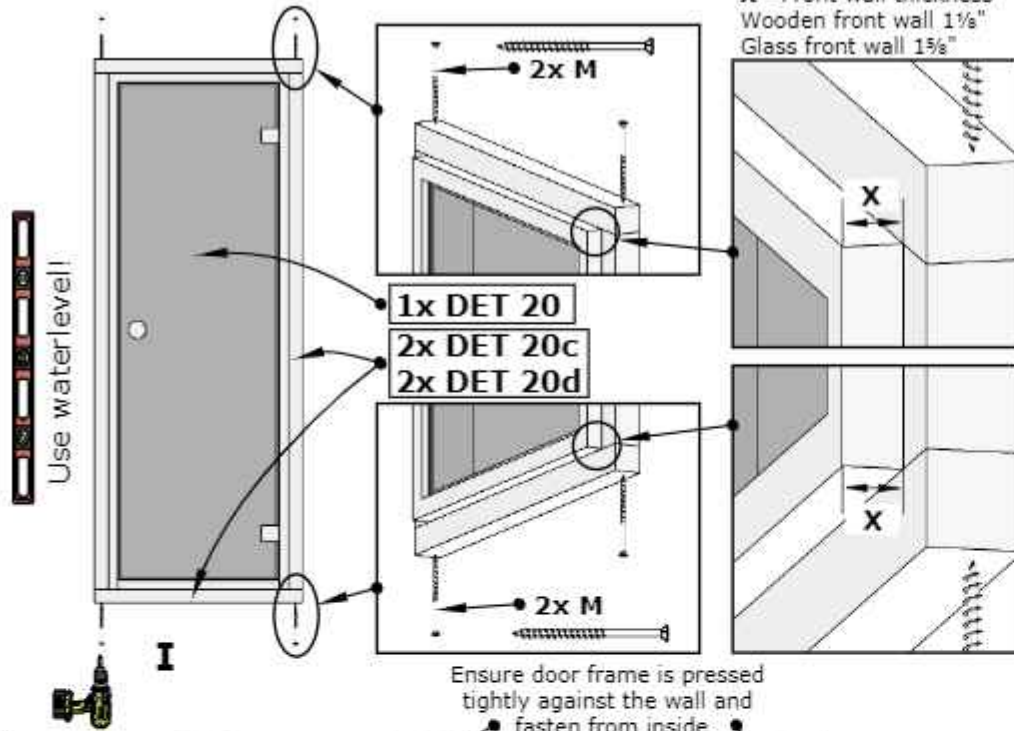


E8 Barrel Sauna 87D" x 81H"



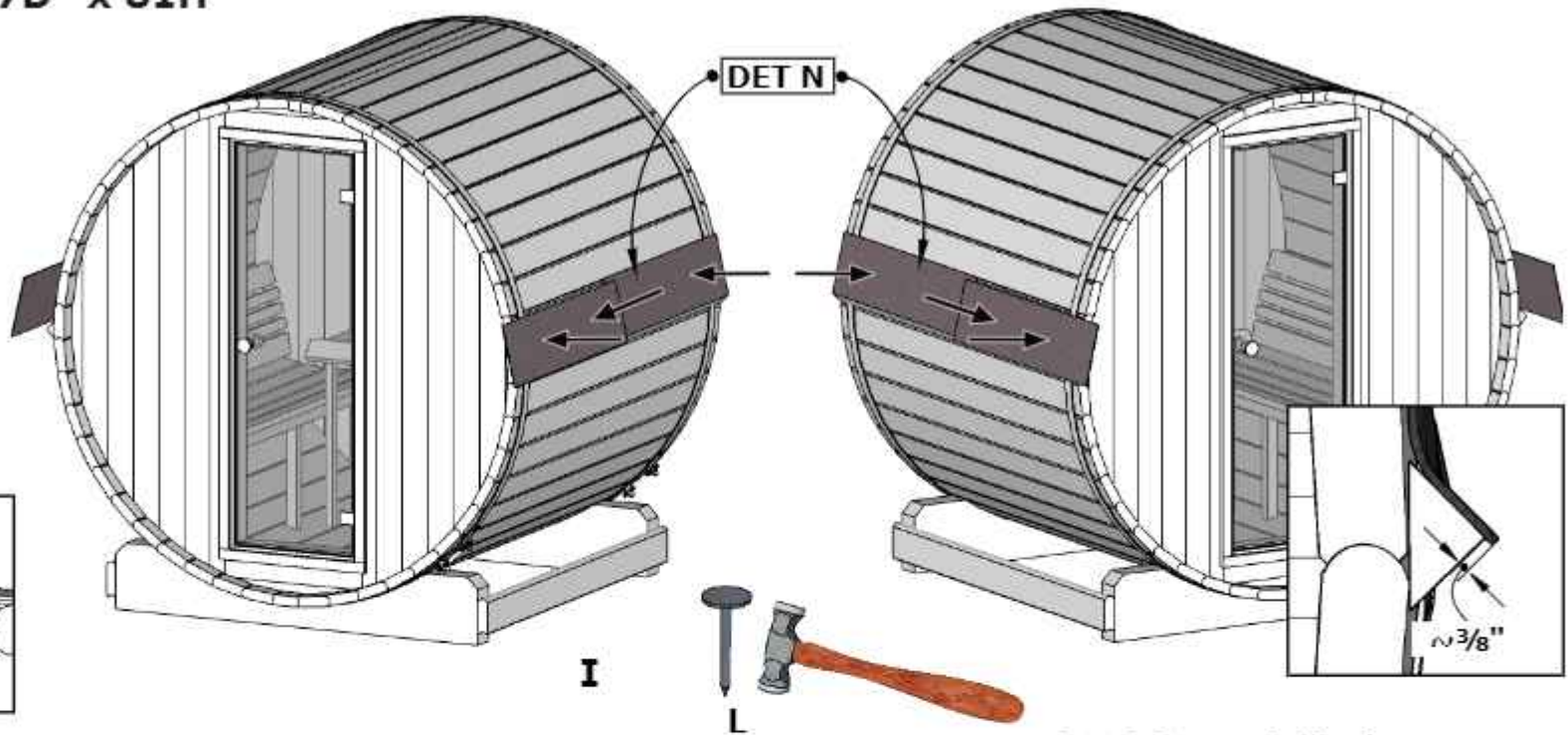
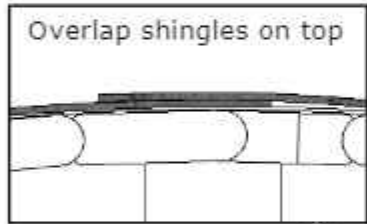
E8 Barrel Sauna 87D" x 81H"

X= Front wall thickness
 Wooden front wall 1 1/8"
 Glass front wall 1 1/8"

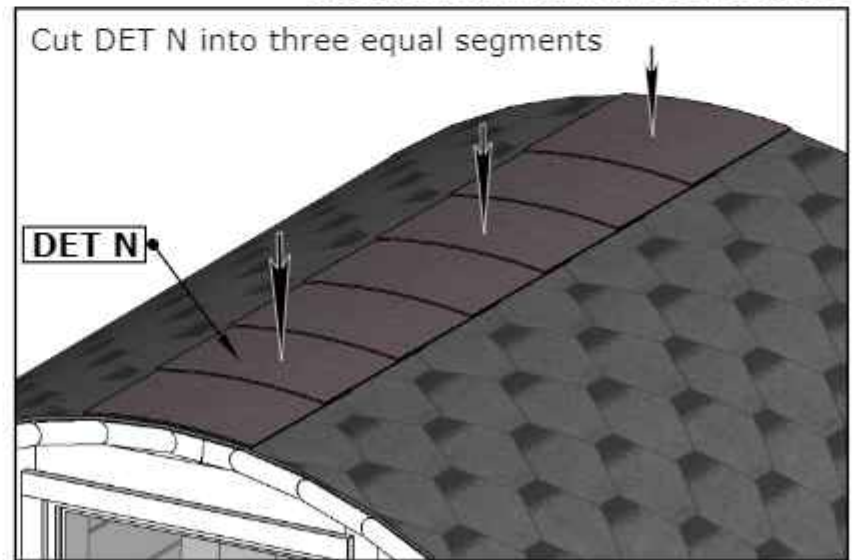
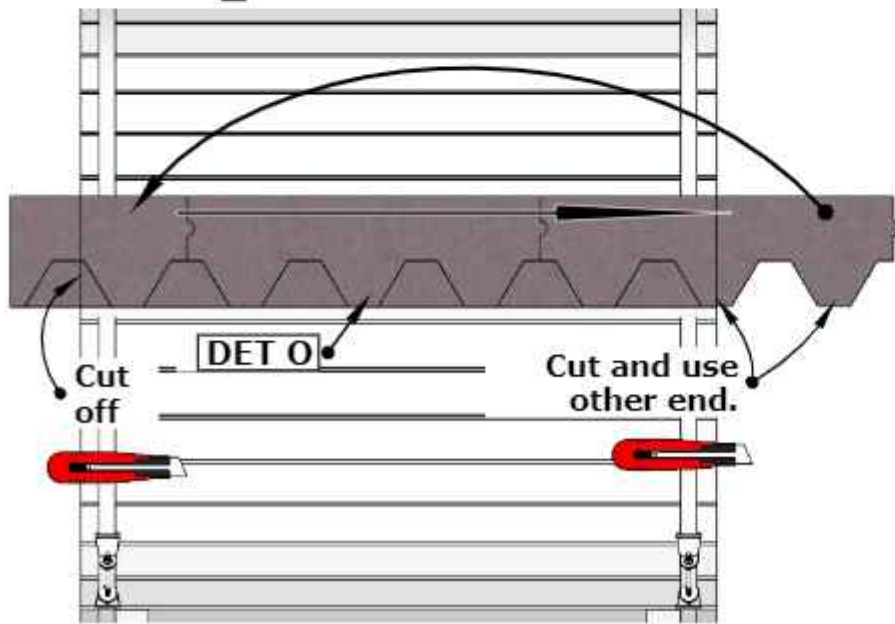


E8 Barrel Sauna 87D" x 81H"

See the installation manual inside the shingles package



Check also roof shingles installation manual inside package.



E8 Barrel Sauna 87D" x 81H"

