



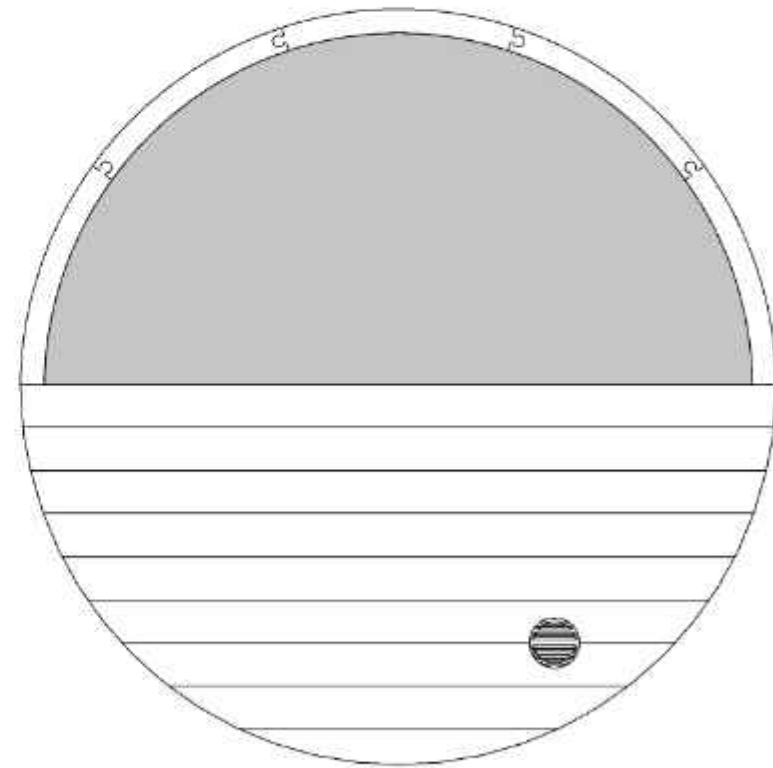
Ergo-Series E7W Barrel Sauna
Half Glass Window 71D" x 81H"



Note: Please read manual before construction

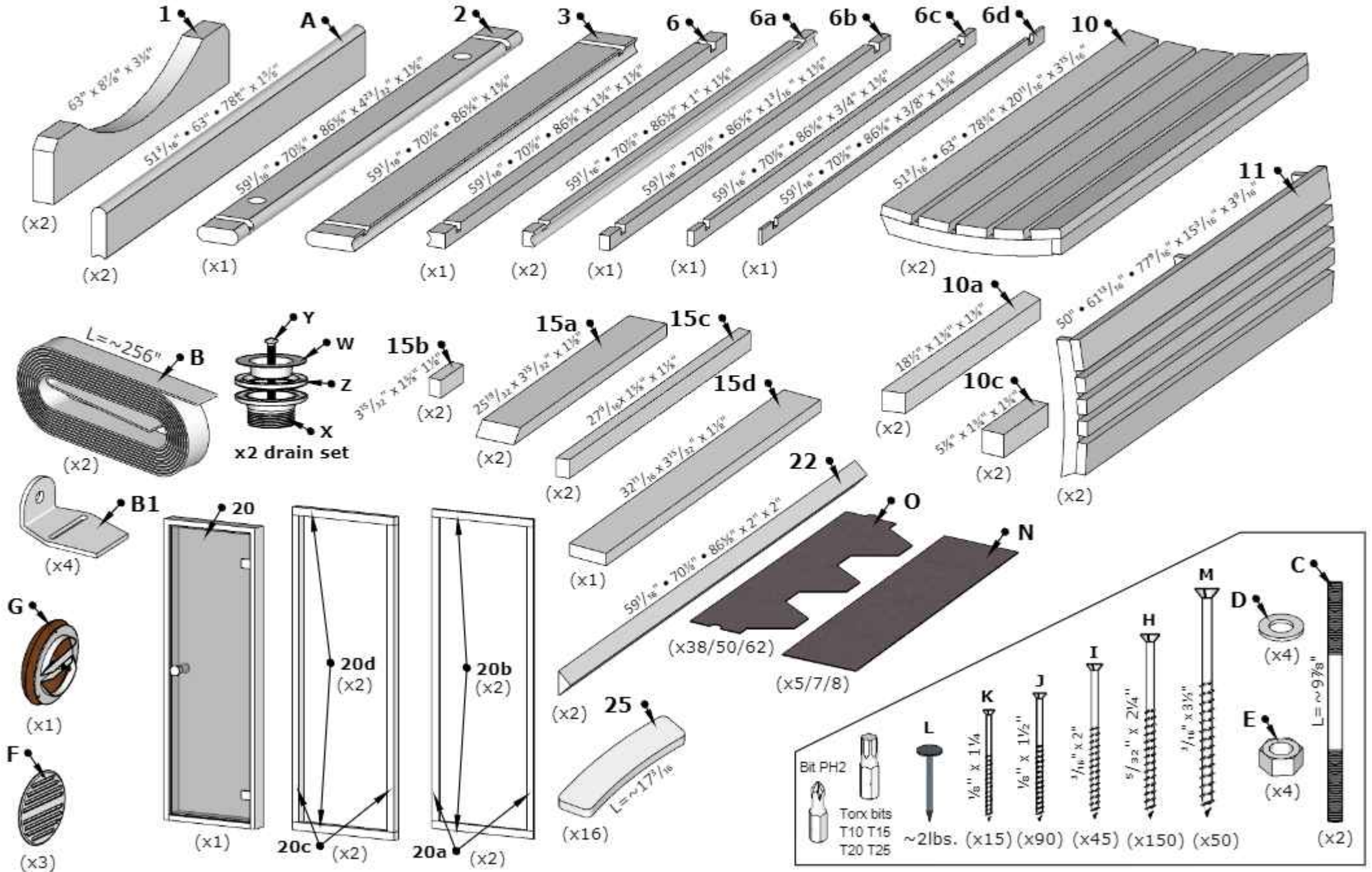
Rev 4/2023

Front & Back Walls



E7W Barrel Sauna 71D" x 81H"

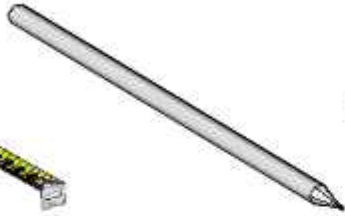
Details list.



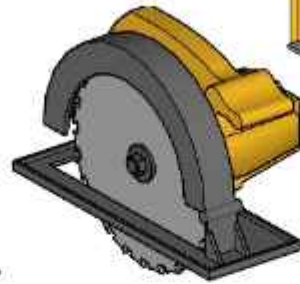
Tools needed



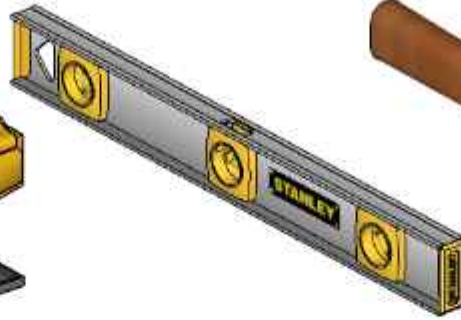
Measuring tape



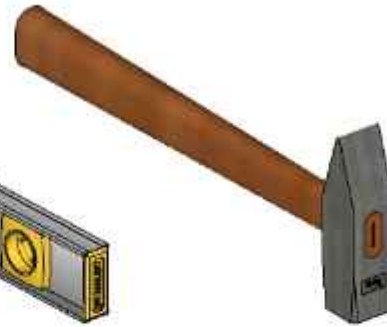
Marker pen



Circular saw



Water level



Hammer



Extra hands



Ratchet strap



Silicone gun
(Only glass-wall models)



Drill



Crescent wrench

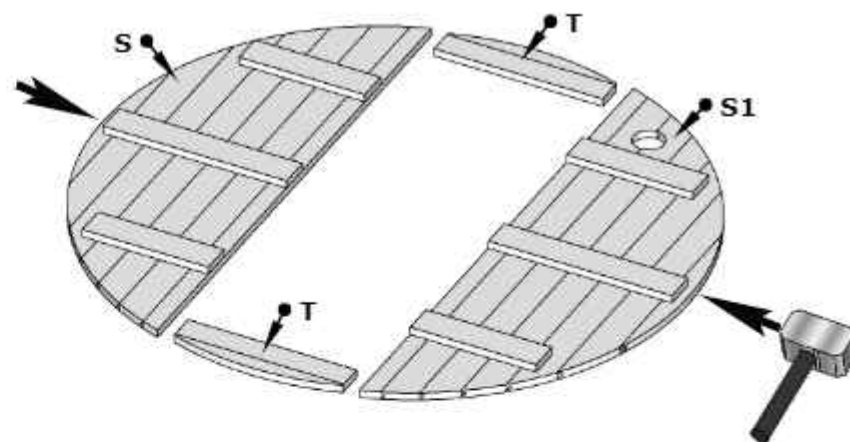
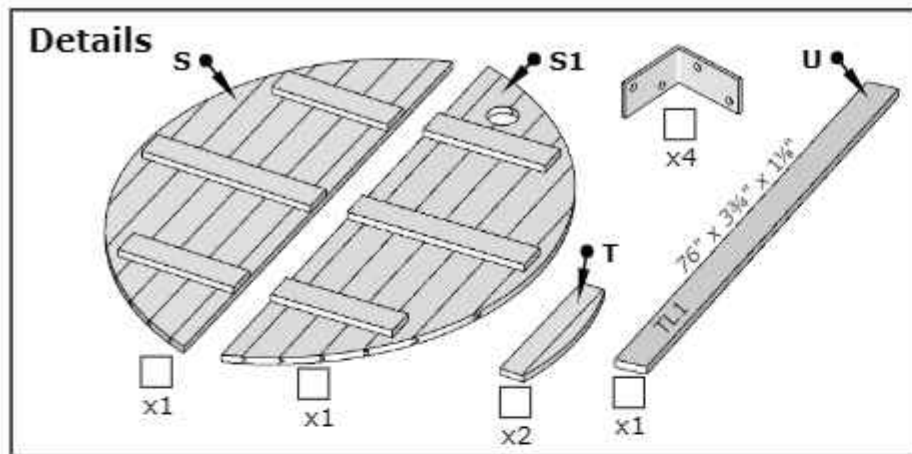


Utility knife

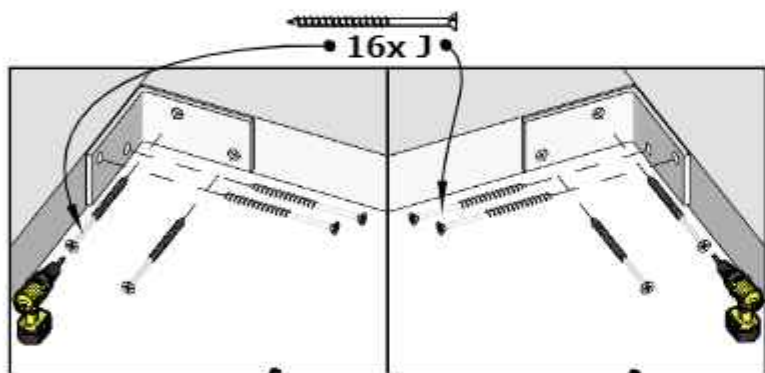


Rubber mallet

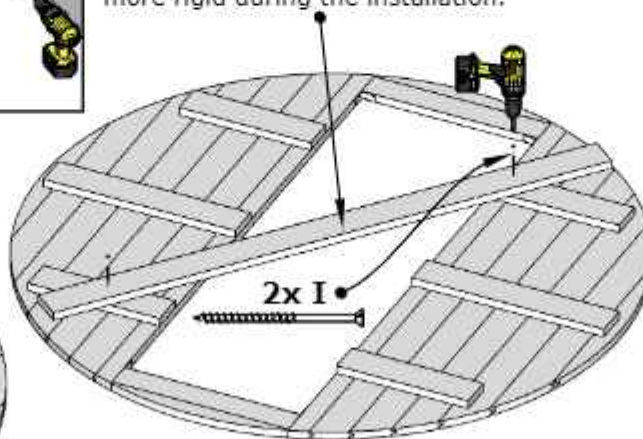
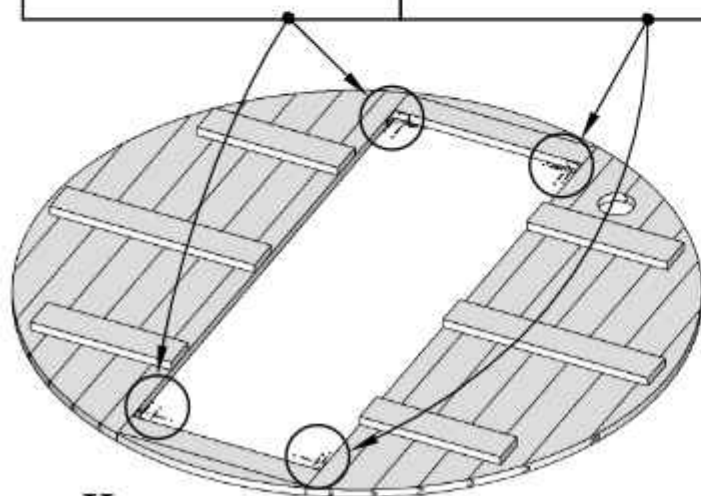
Wooden front wall installation



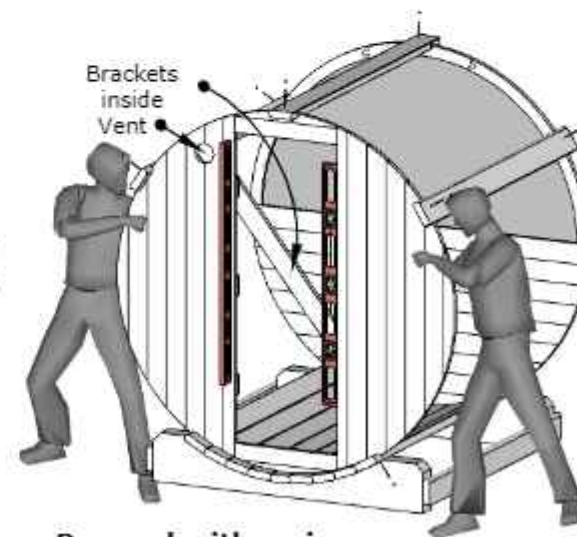
I



DET U Fix it diagonally to make wall more rigid during the installation.

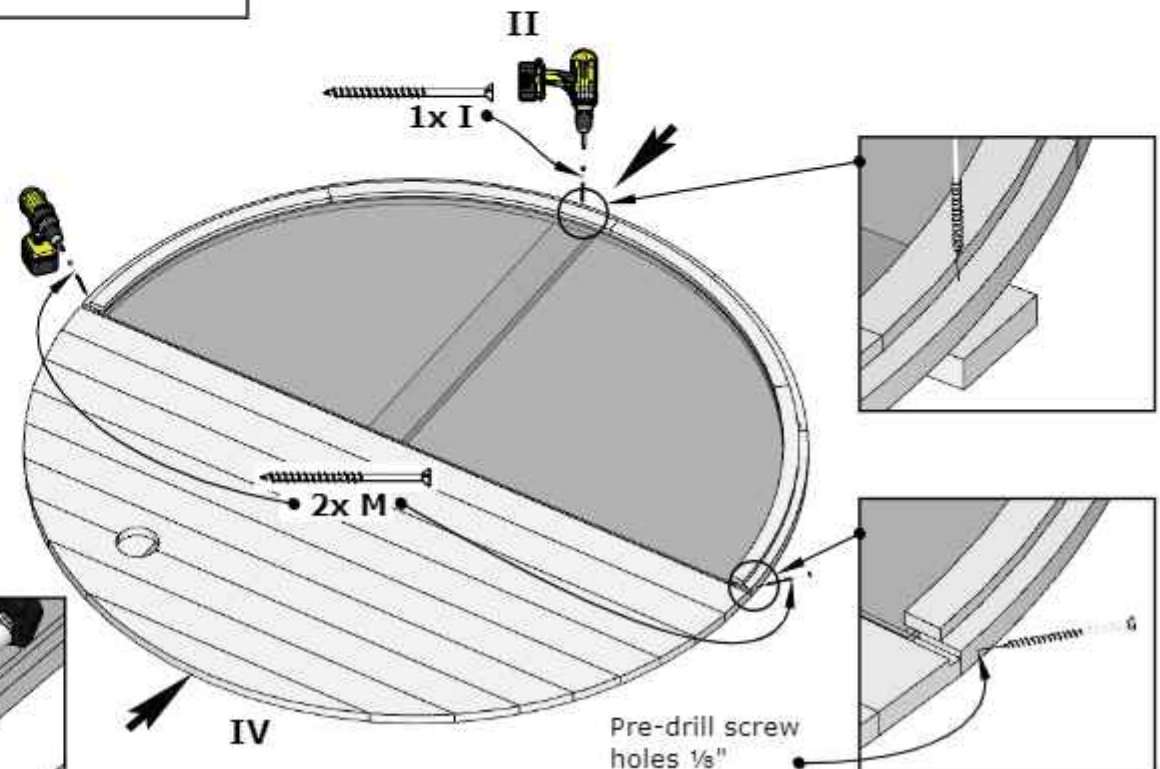
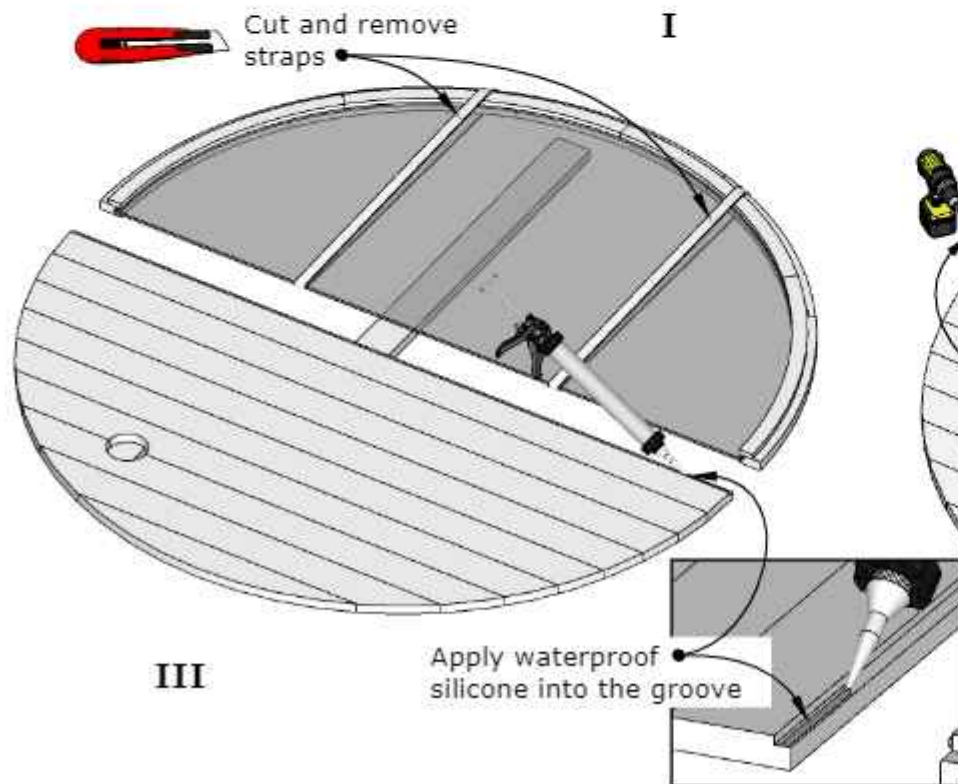
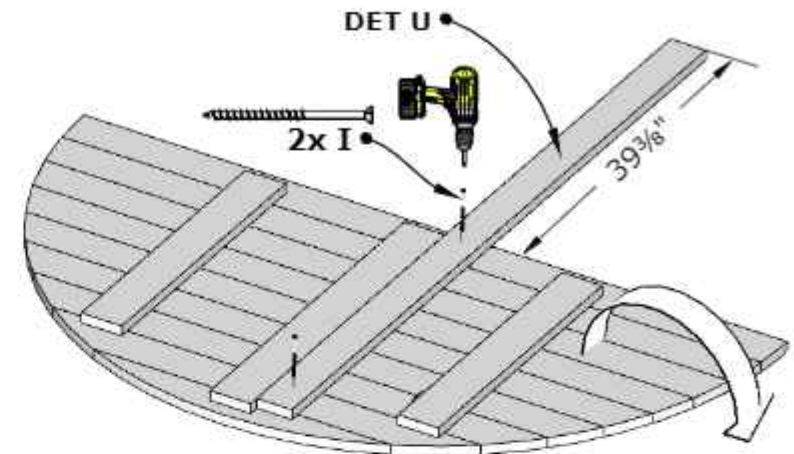
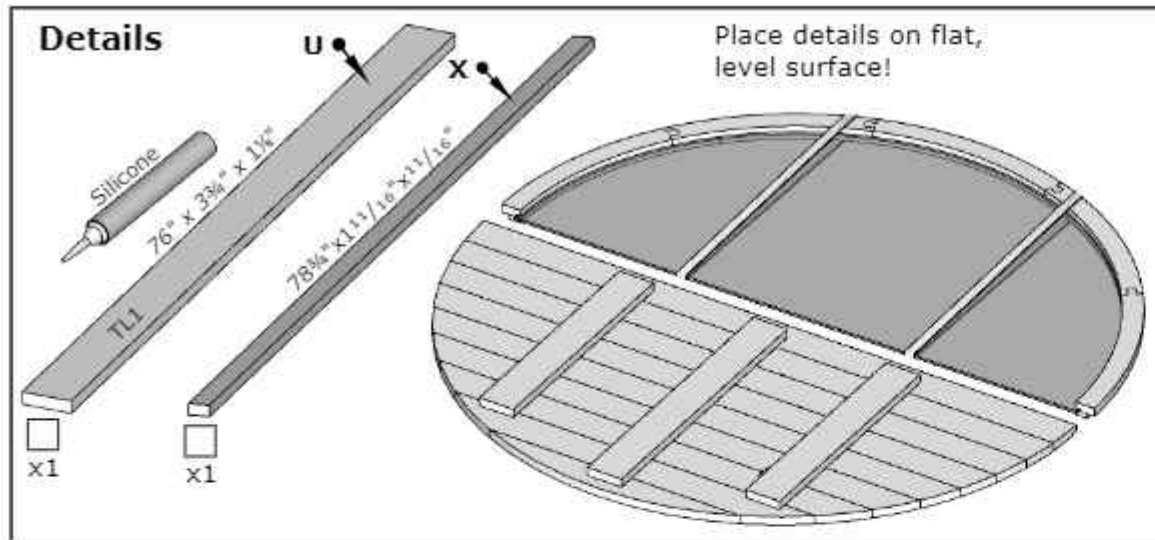


III



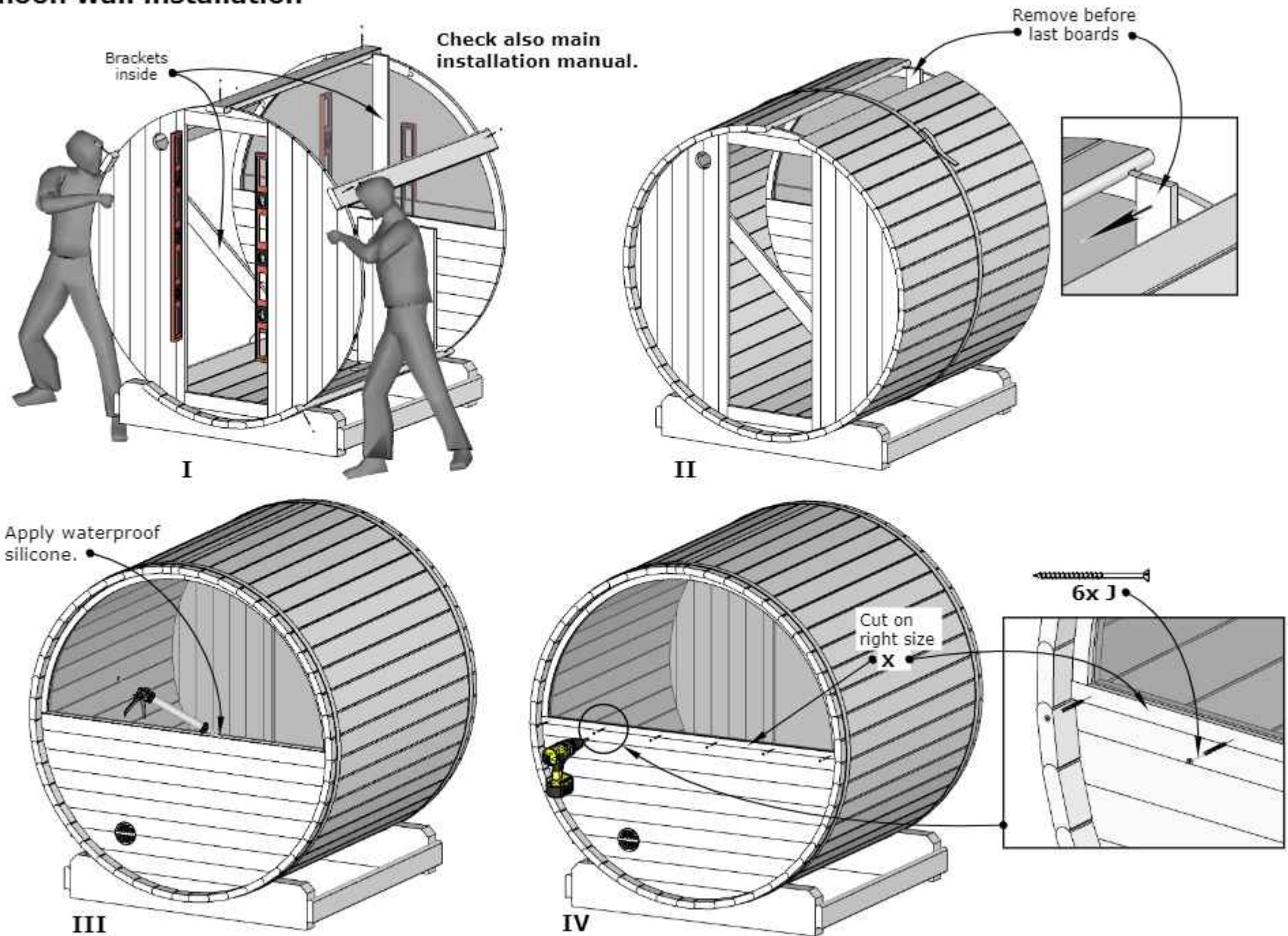
Proceed with main installation manual!

Half-moon wall installation

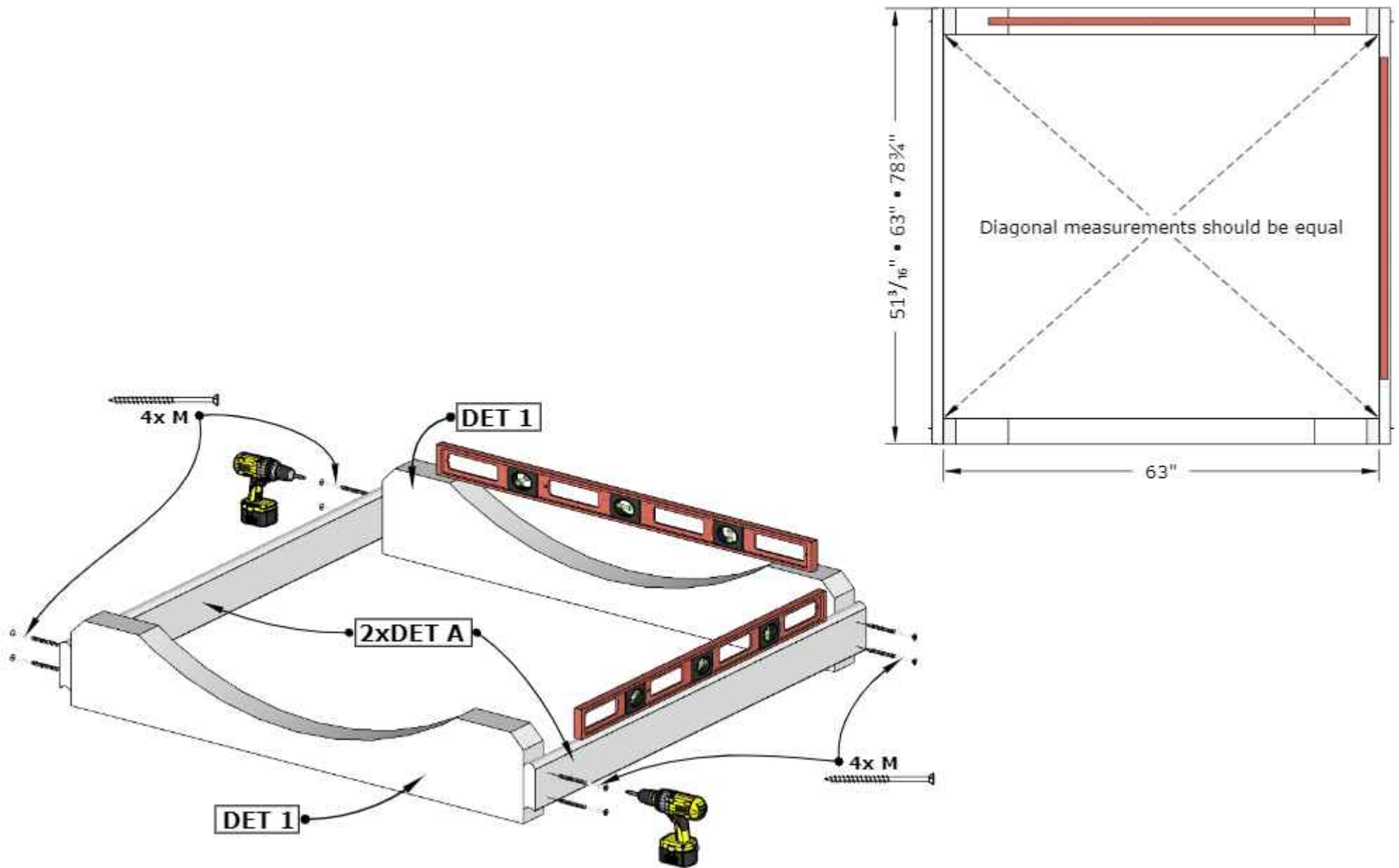


WARNING: Do not let screws touch glass!

Half-moon wall installation

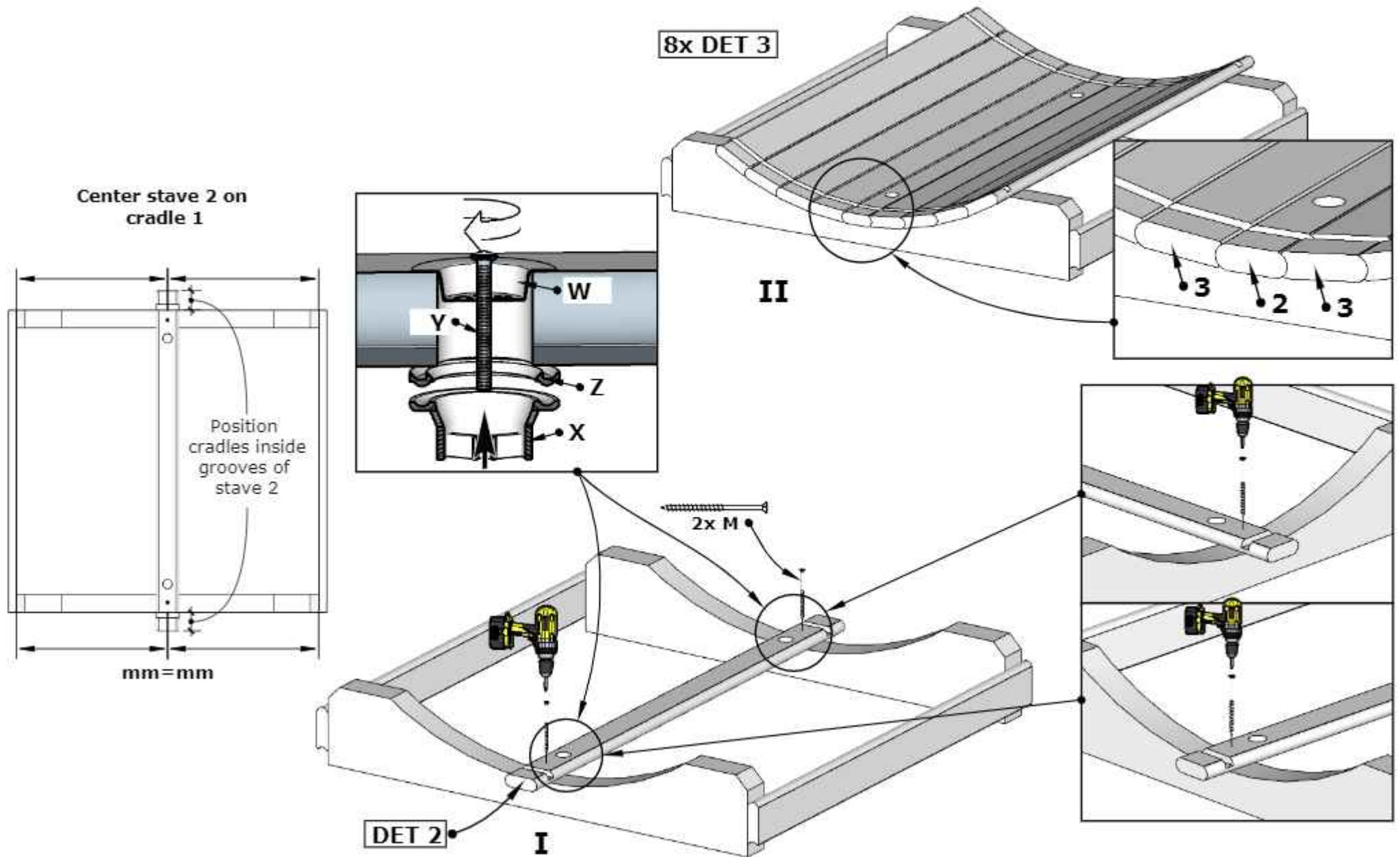


E7W Barrel Sauna 71D" x 81H"

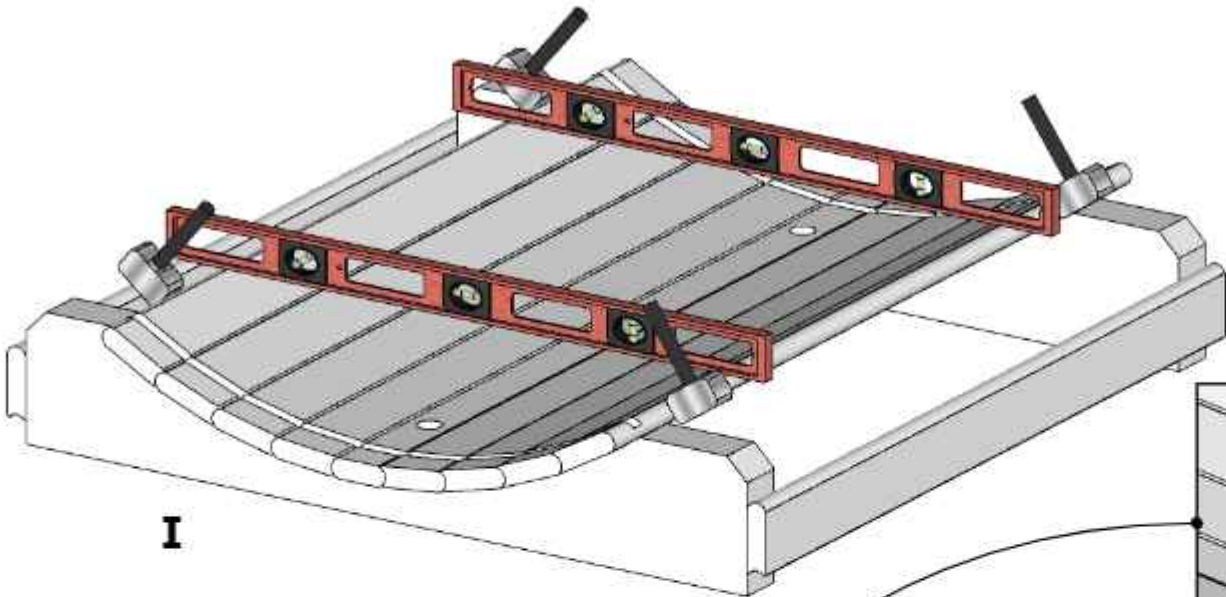


1.

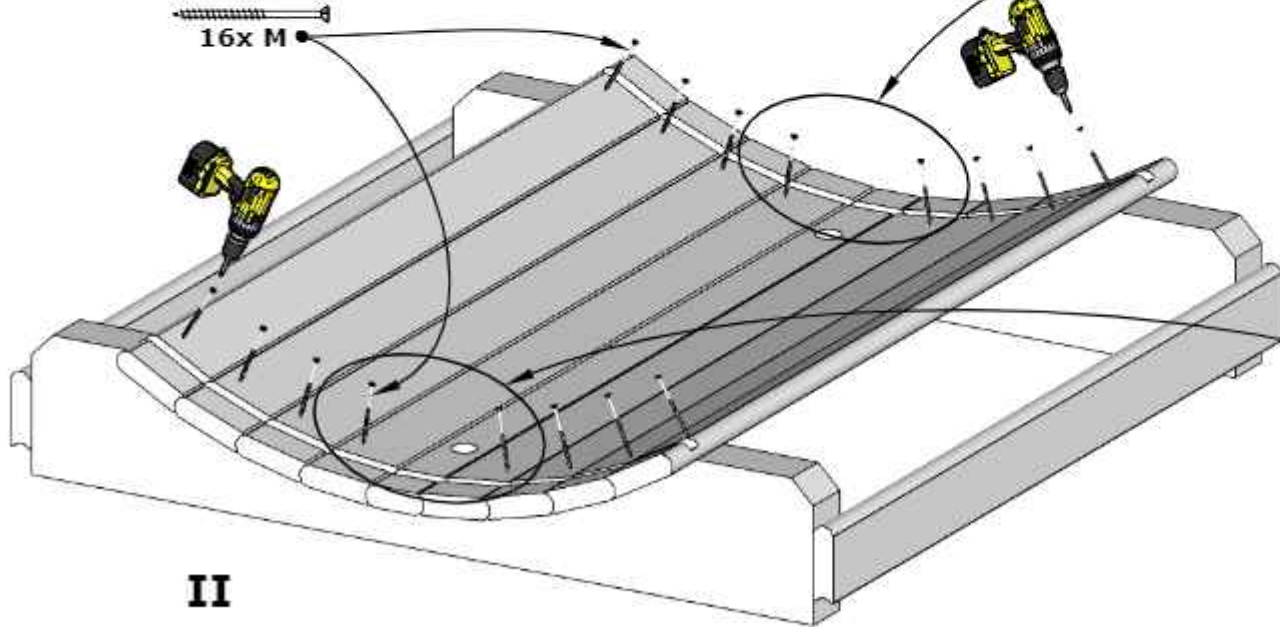
E7W Barrel Sauna 71D" x 81H"



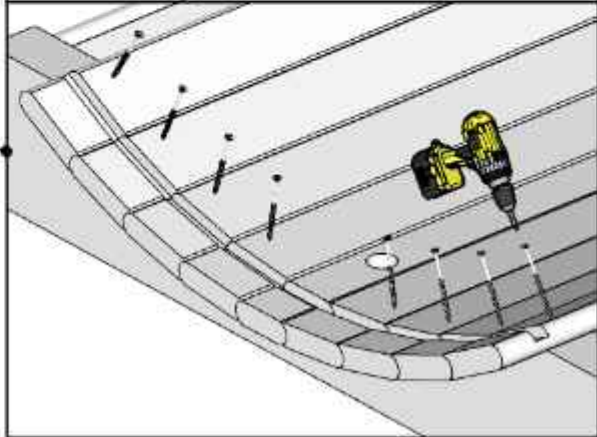
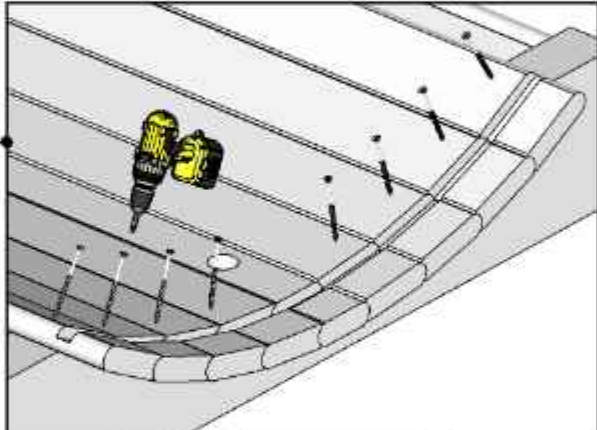
E7W Barrel Sauna 71D" x 81H"



I

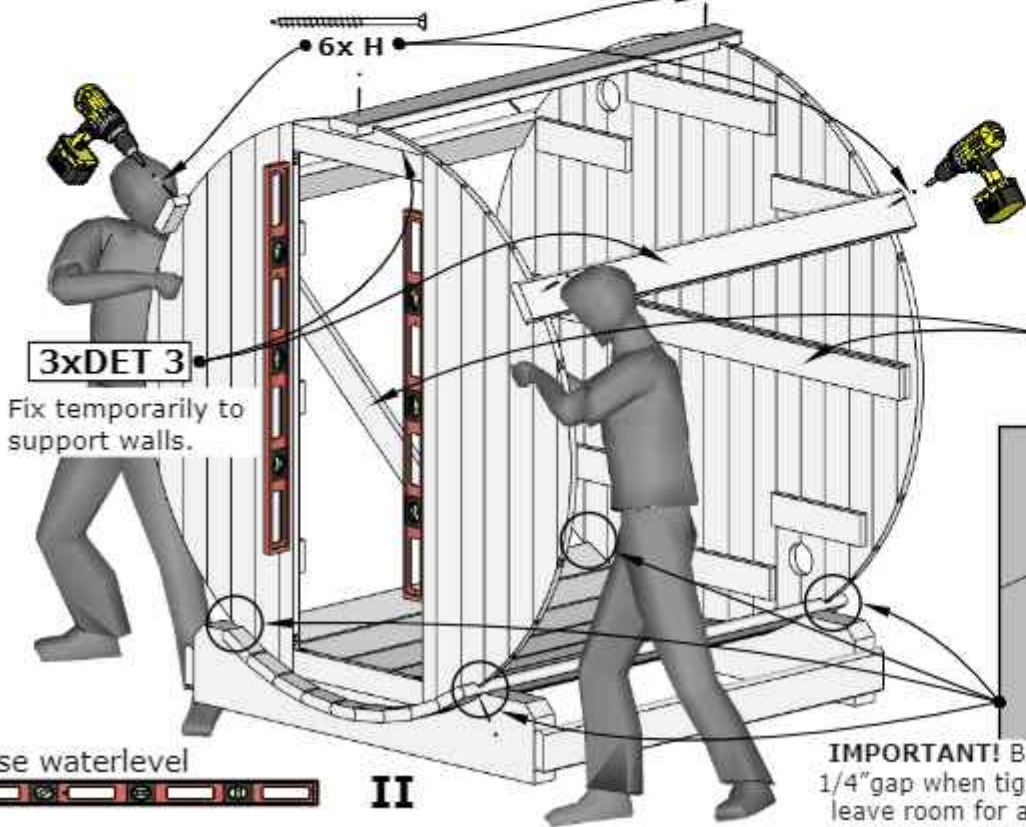
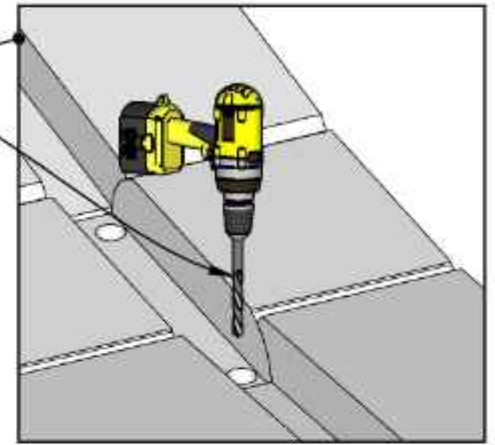
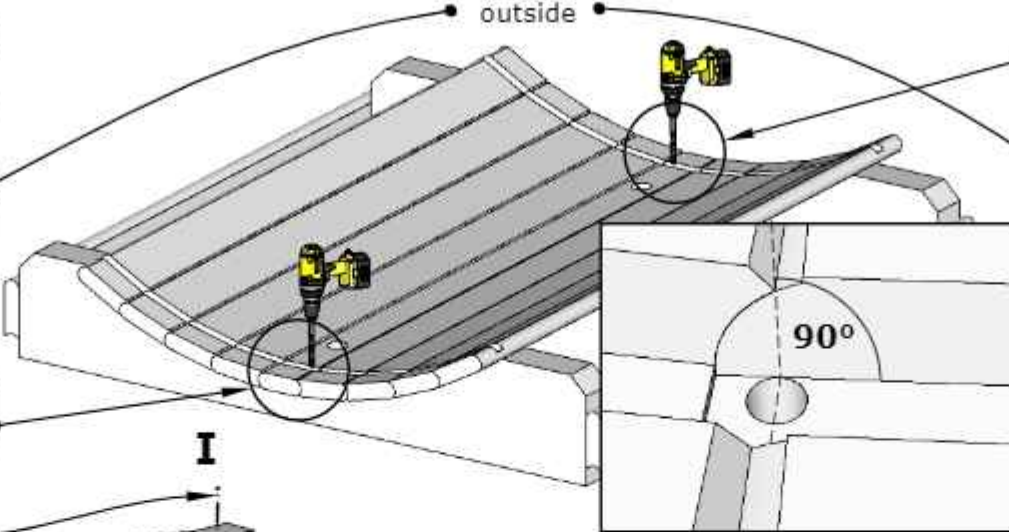
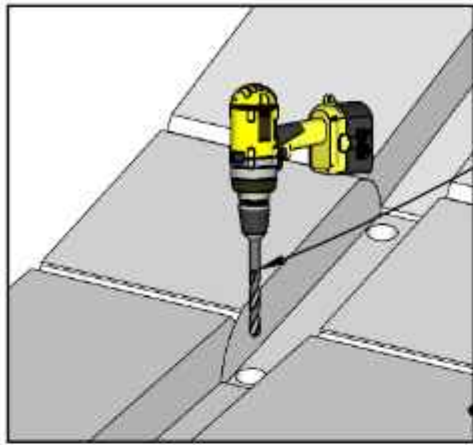


II



E7W Barrel Sauna 71D" x 81H"

Drill 4 holes $\varnothing 1/2"$
through DET 2
outside

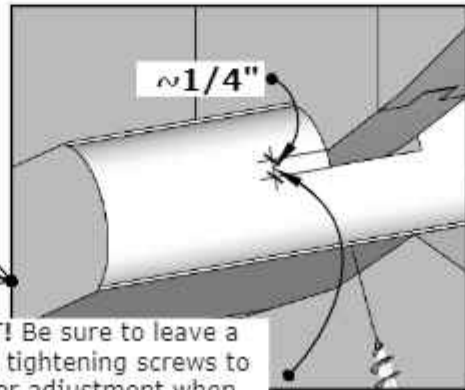


3xDET 3
Fix temporarily to
support walls.

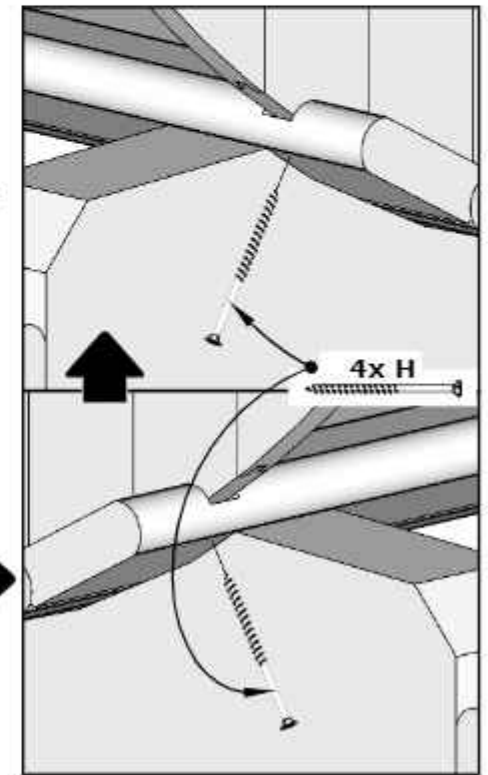
Check walls installation
manual on extra pages!

Sauna wall configuration
depends on Your model!

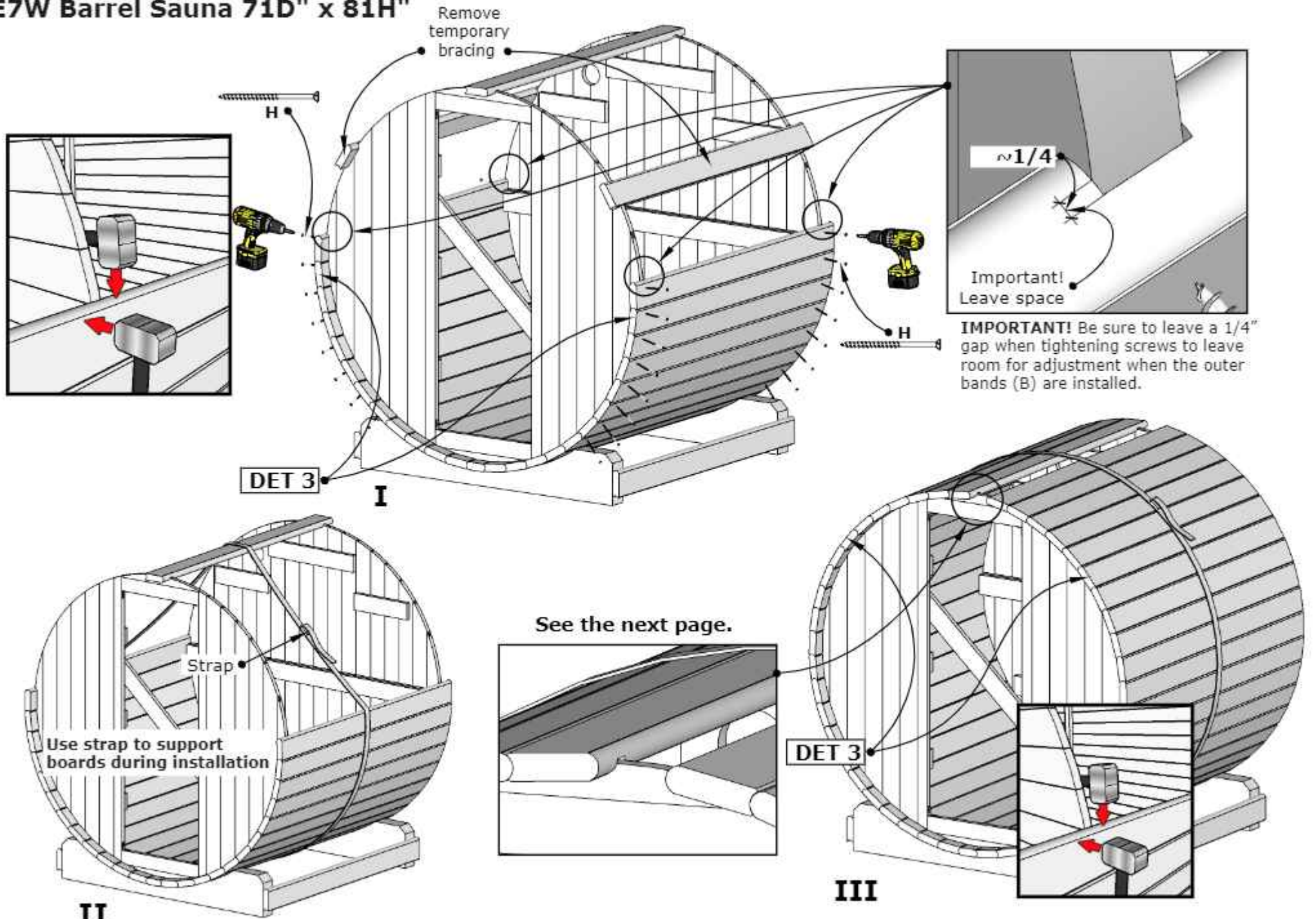
Brackets inside



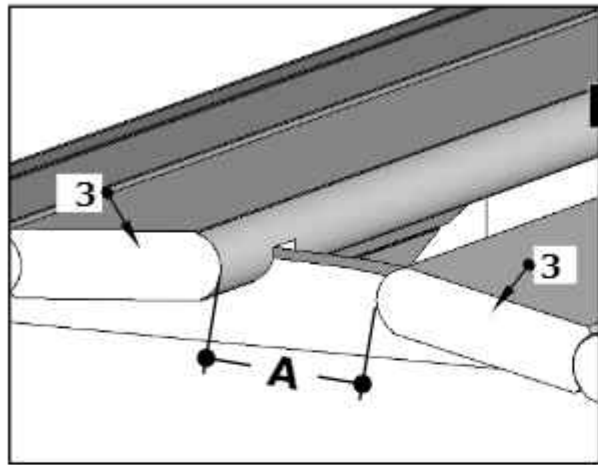
IMPORTANT! Be sure to leave a
 $1/4"$ gap when tightening screws to
leave room for adjustment when
the outer bands (B) are installed.



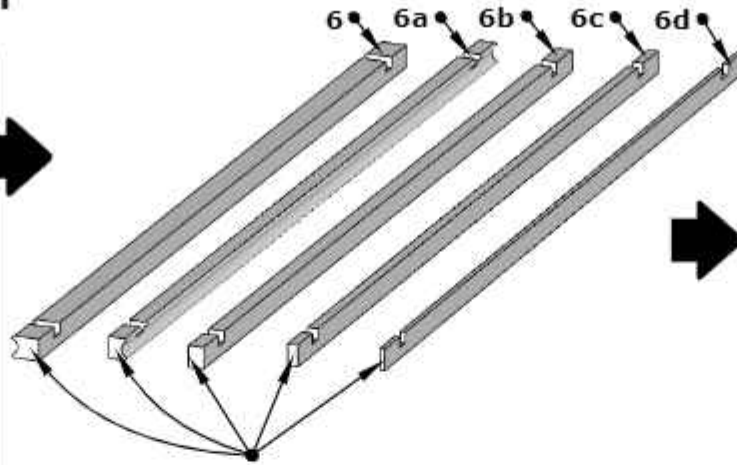
E7W Barrel Sauna 71D" x 81H"



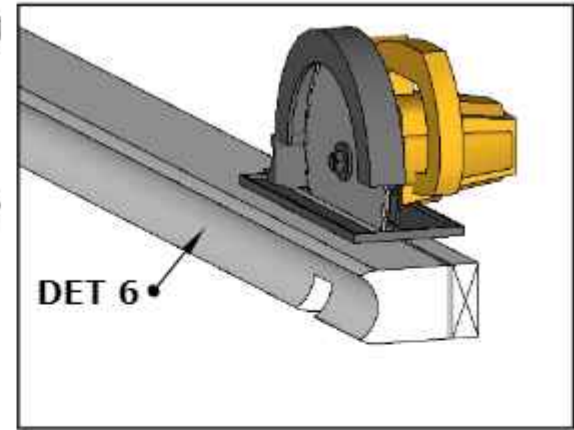
E7W Barrel Sauna 71D" x 81H"



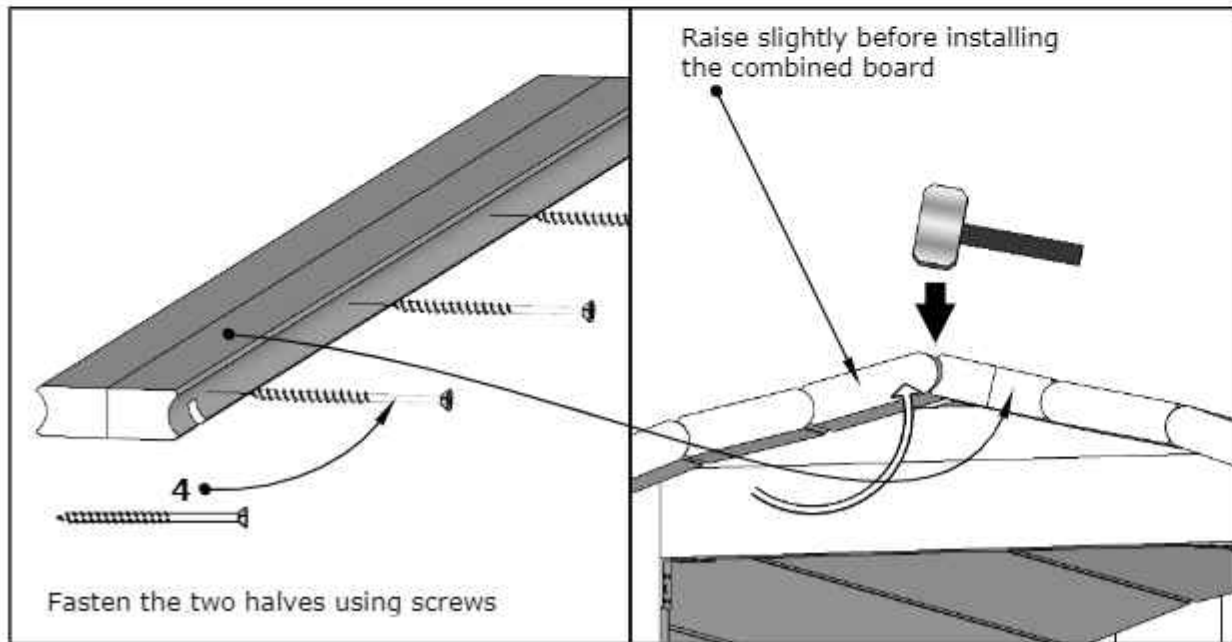
I



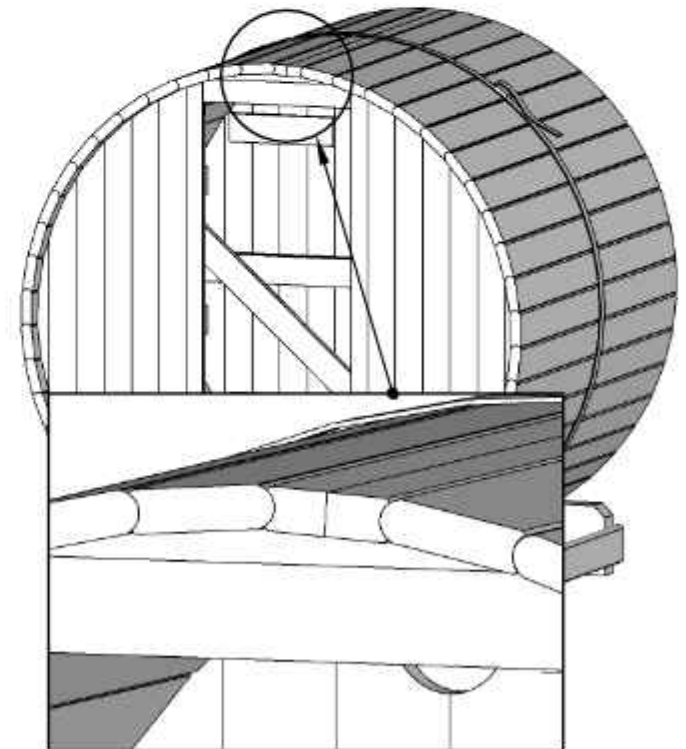
Join two boards together (as shown in diagram II) that will bridge the width of the "A" gap. It is recommended that the combined boards are approximately 1/4" wider than the gap.



If needed, trim the flat edge of the board to create the desired width.

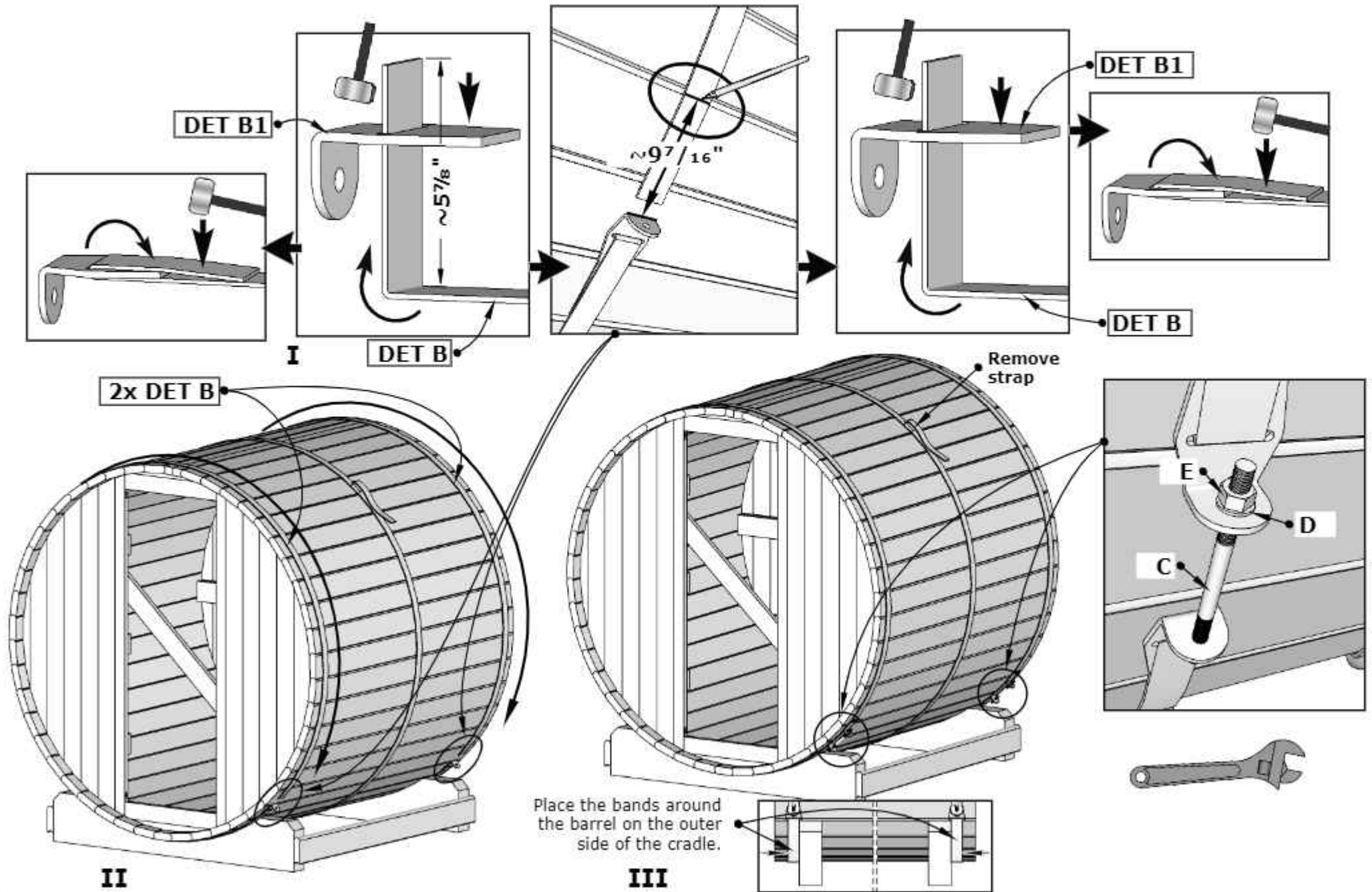


II



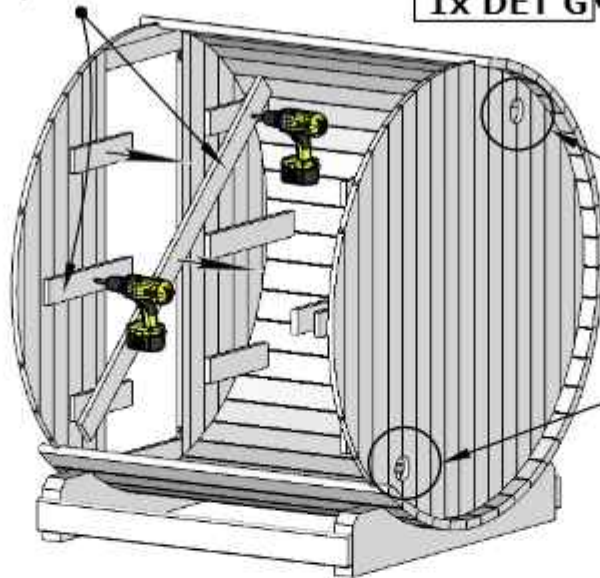
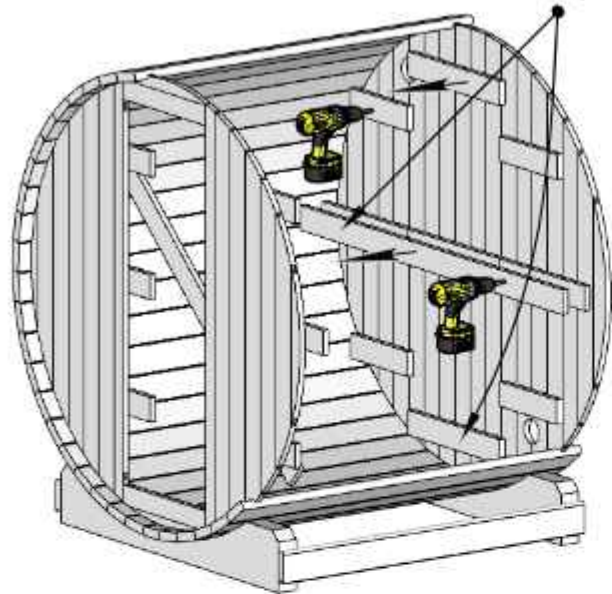
III

E7W Barrel Sauna 71D" x 81H"

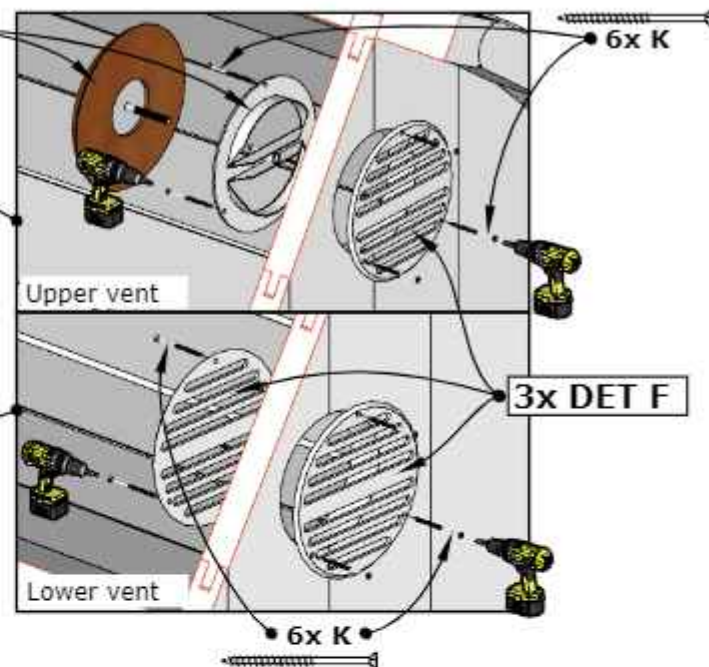


E7W Barrel Sauna 71D" x 81H"

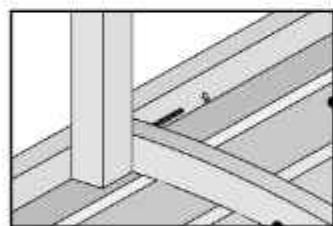
Remove all temporary braces



1x DET G



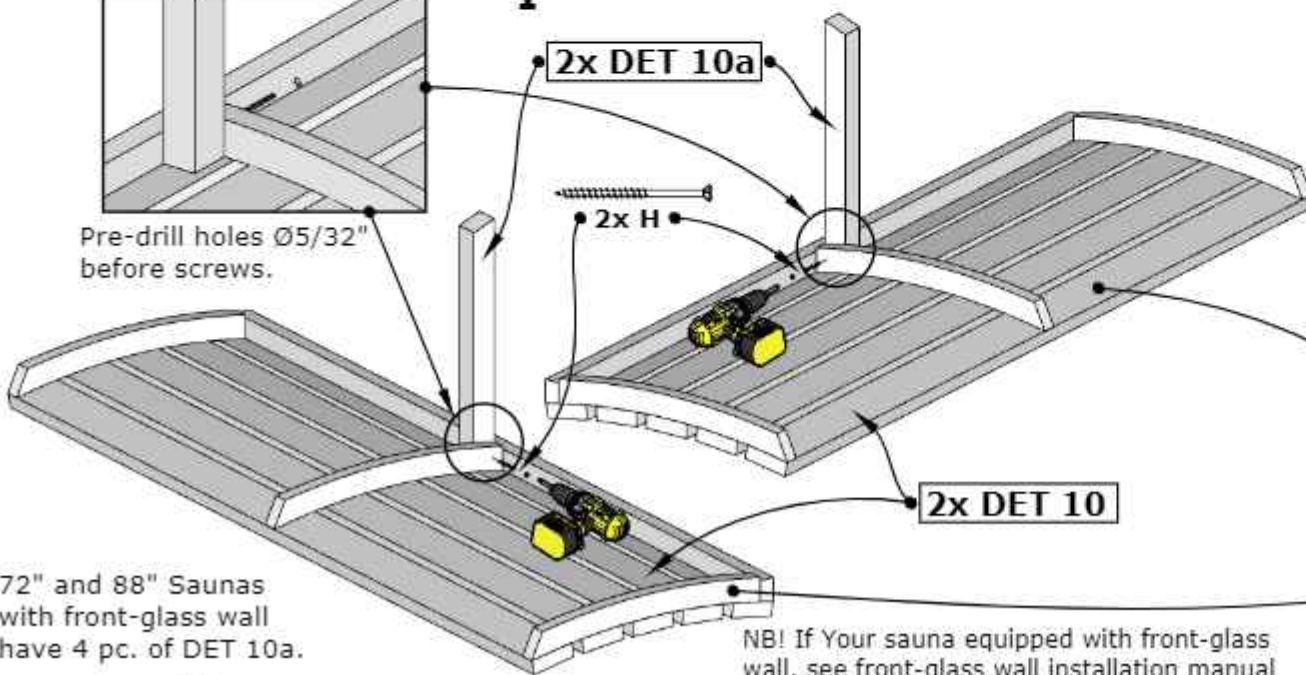
I



Pre-drill holes $\text{Ø}5/32''$ before screws.

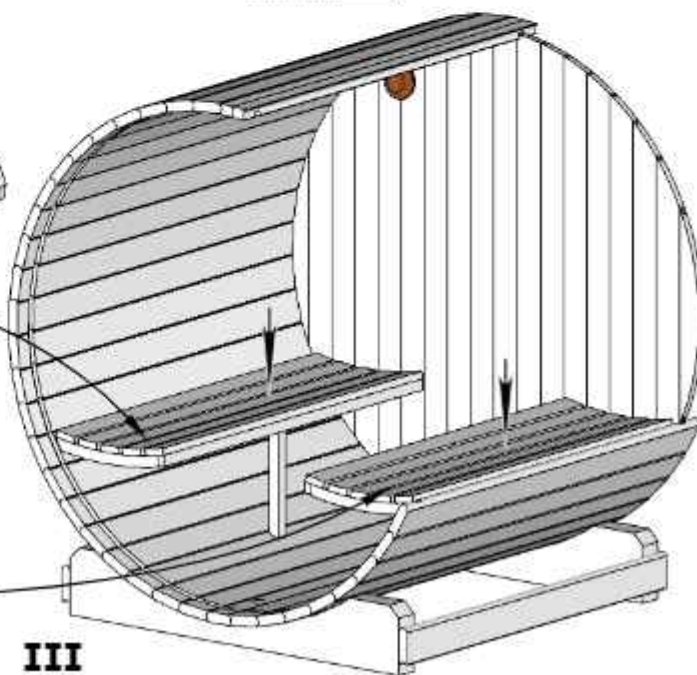
2x DET 10a

2x H



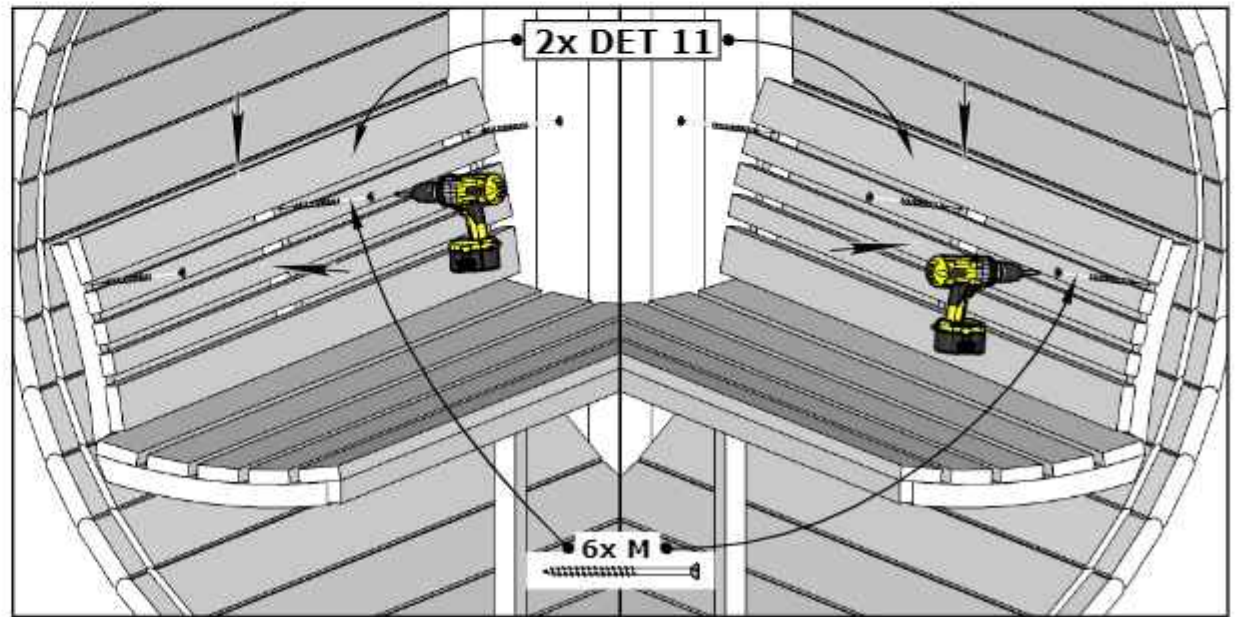
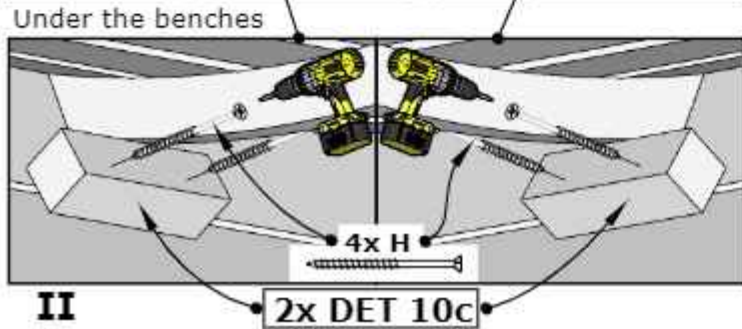
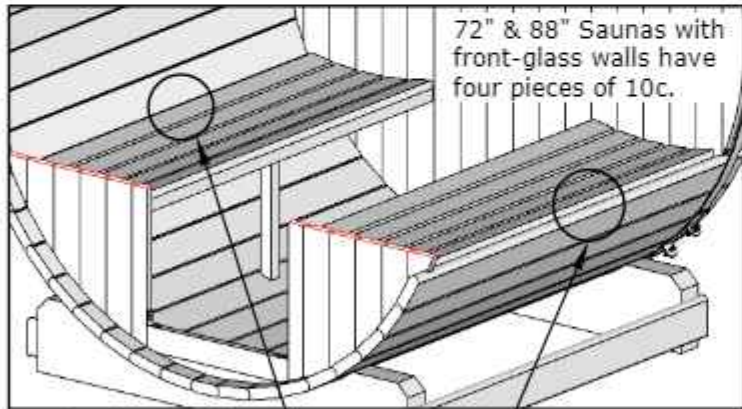
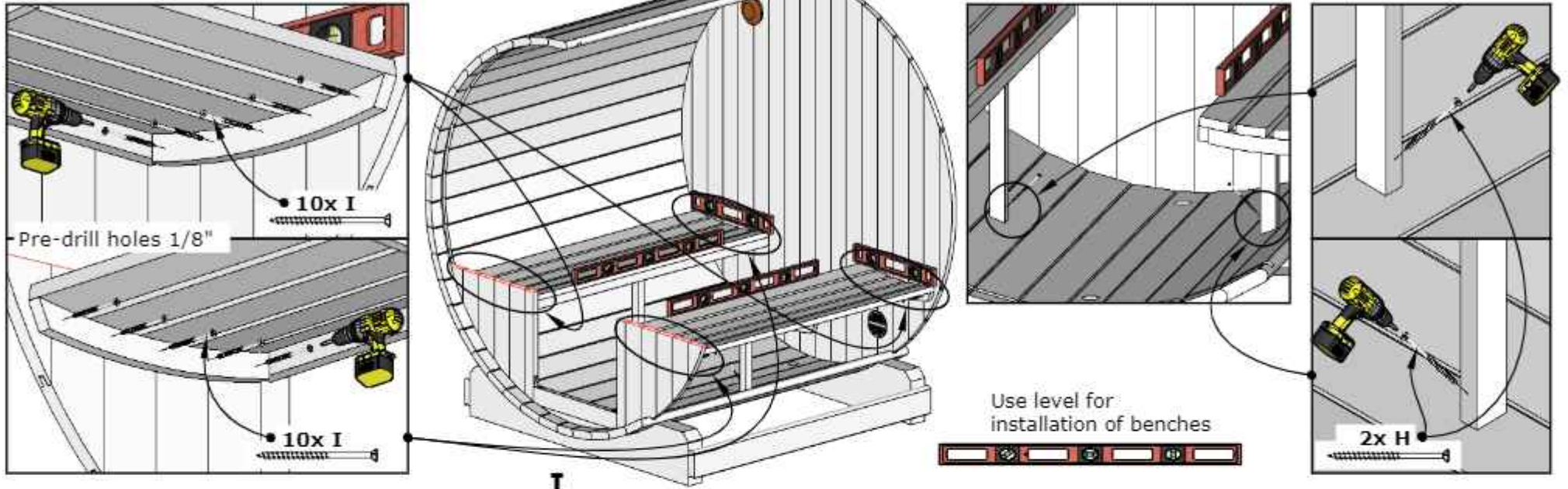
72" and 88" Saunas with front-glass wall have 4 pc. of DET 10a.

NB! If Your sauna equipped with front-glass wall, see front-glass wall installation manual for proper benches installation.

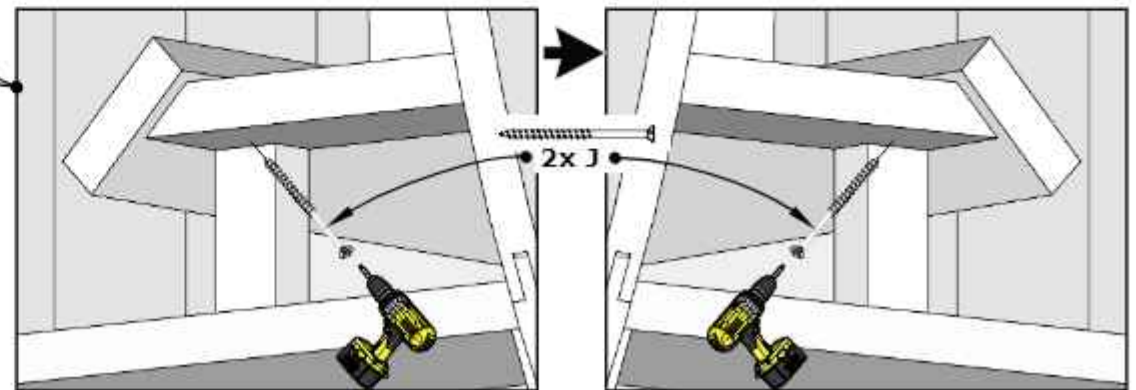
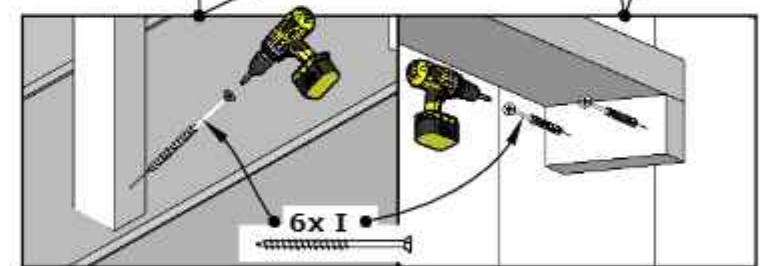
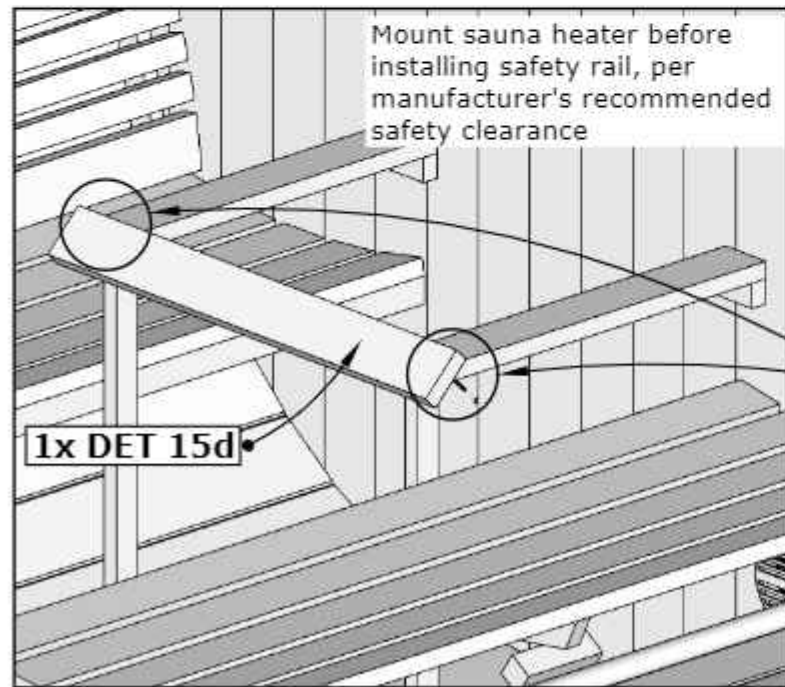
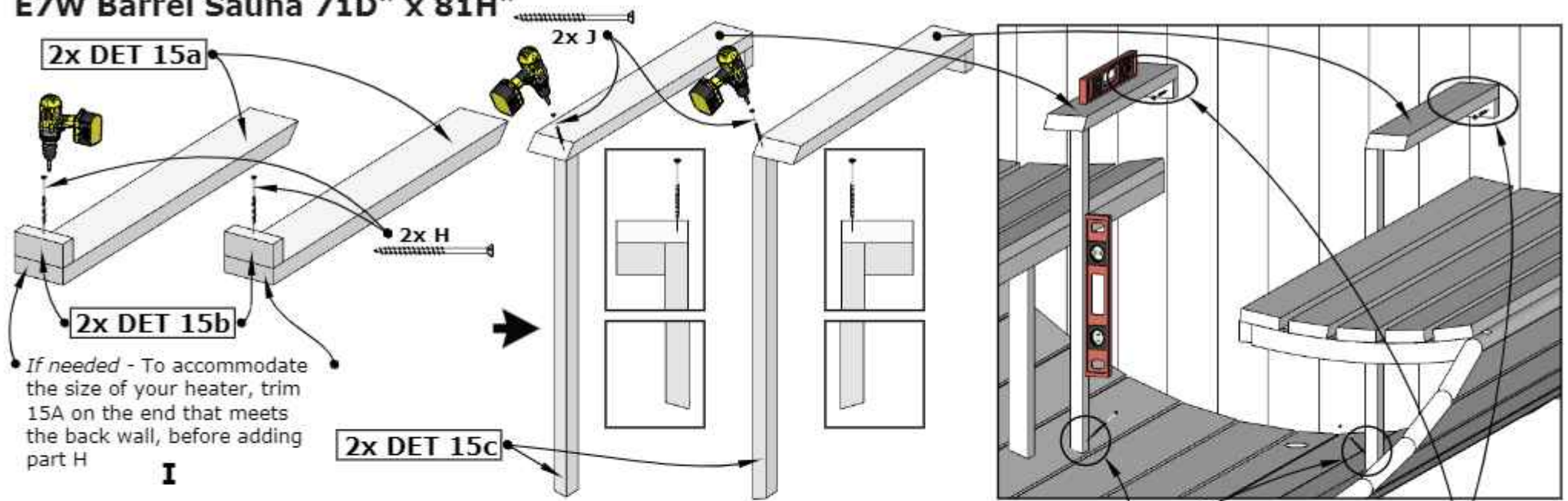


III

E7W Barrel Sauna 71D" x 81H"

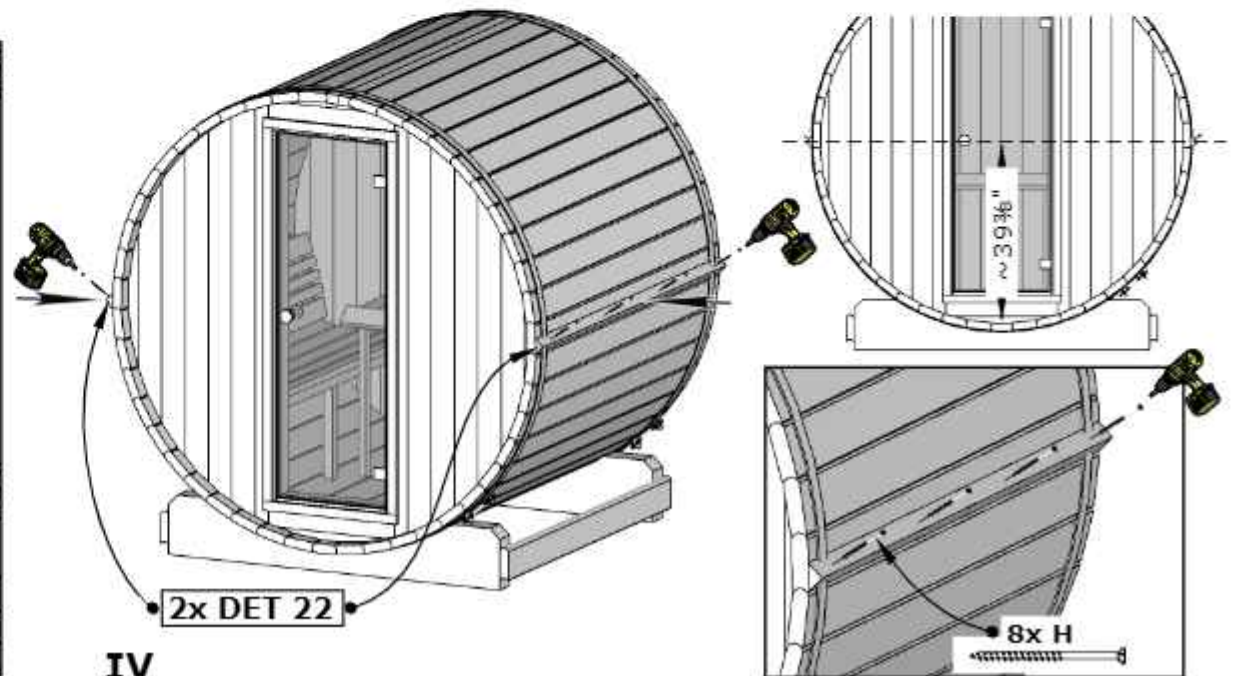
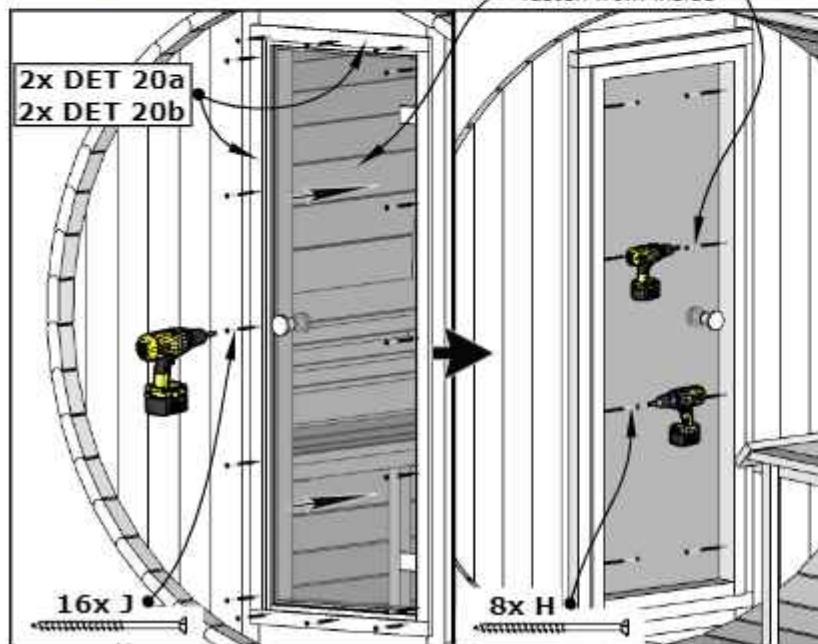
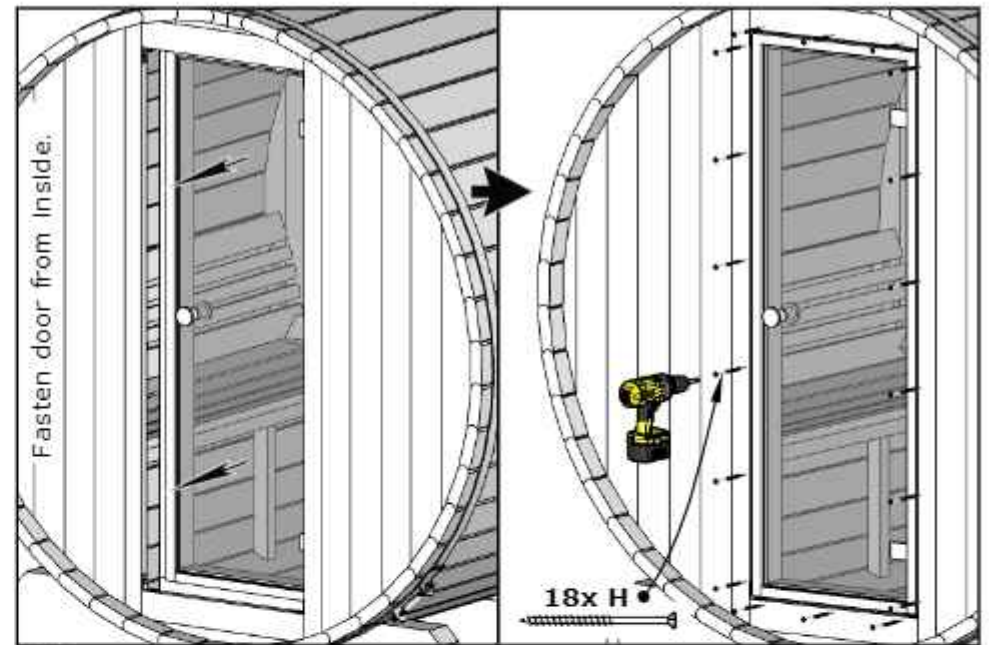
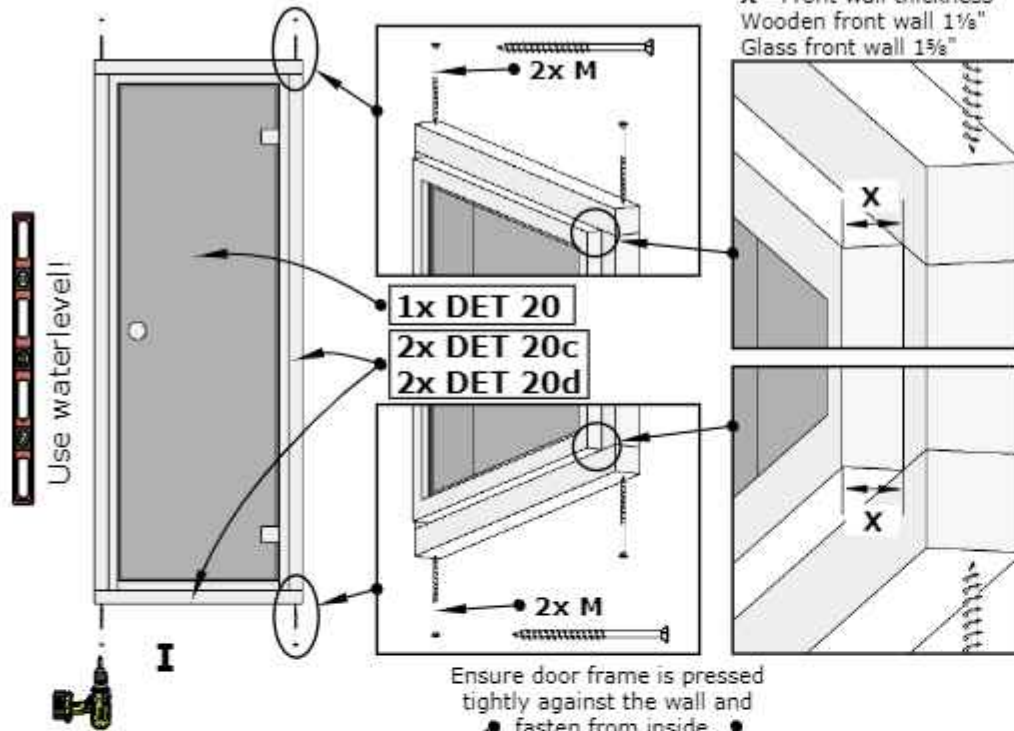


E7W Barrel Sauna 71D" x 81H"



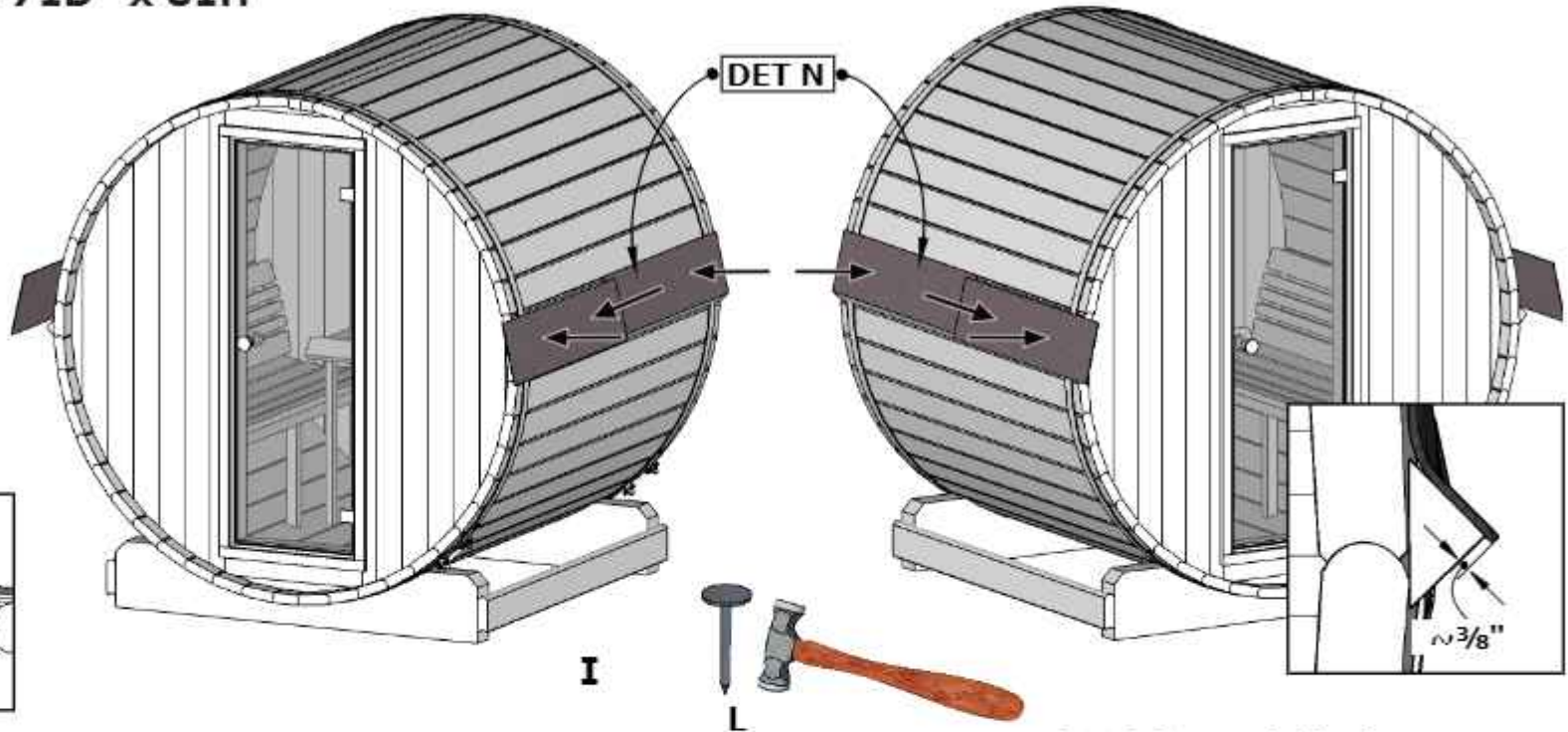
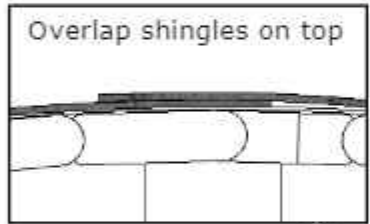
E7W Barrel Sauna 71D" x 81H"

X= Front wall thickness
 Wooden front wall 1 1/8"
 Glass front wall 1 5/8"

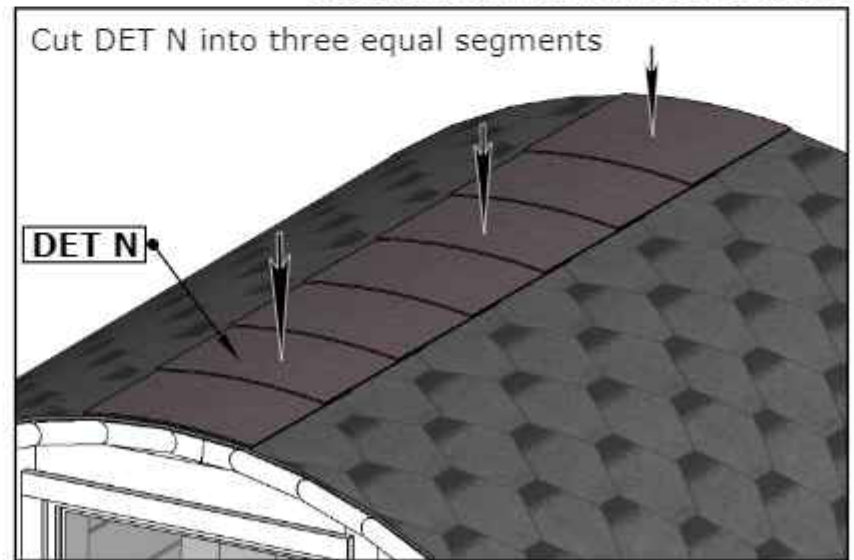
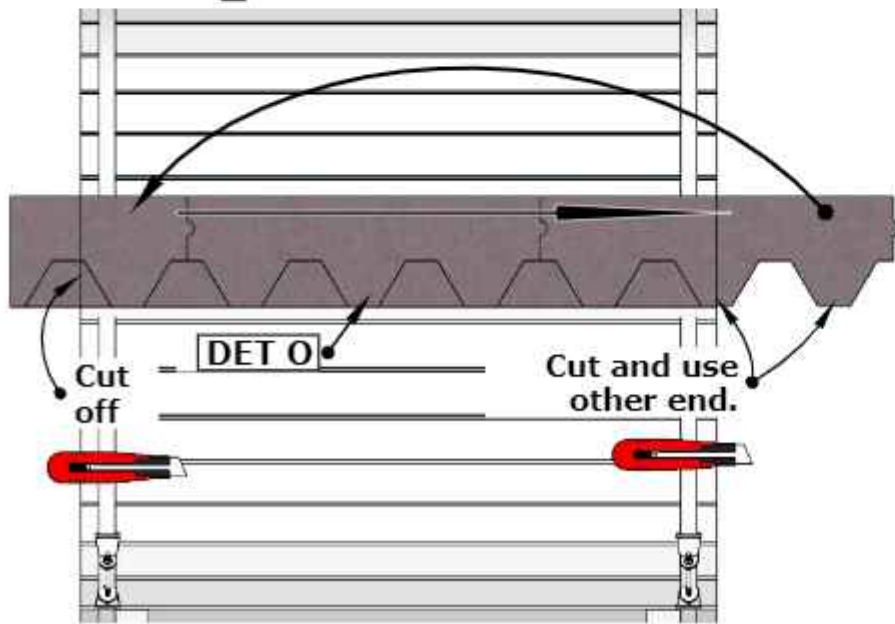


E7W Barrel Sauna 71D" x 81H"

See the installation manual inside the shingles package



Check also roof shingles installation manual inside package.



E7W Barrel Sauna 71D" x 81H"

