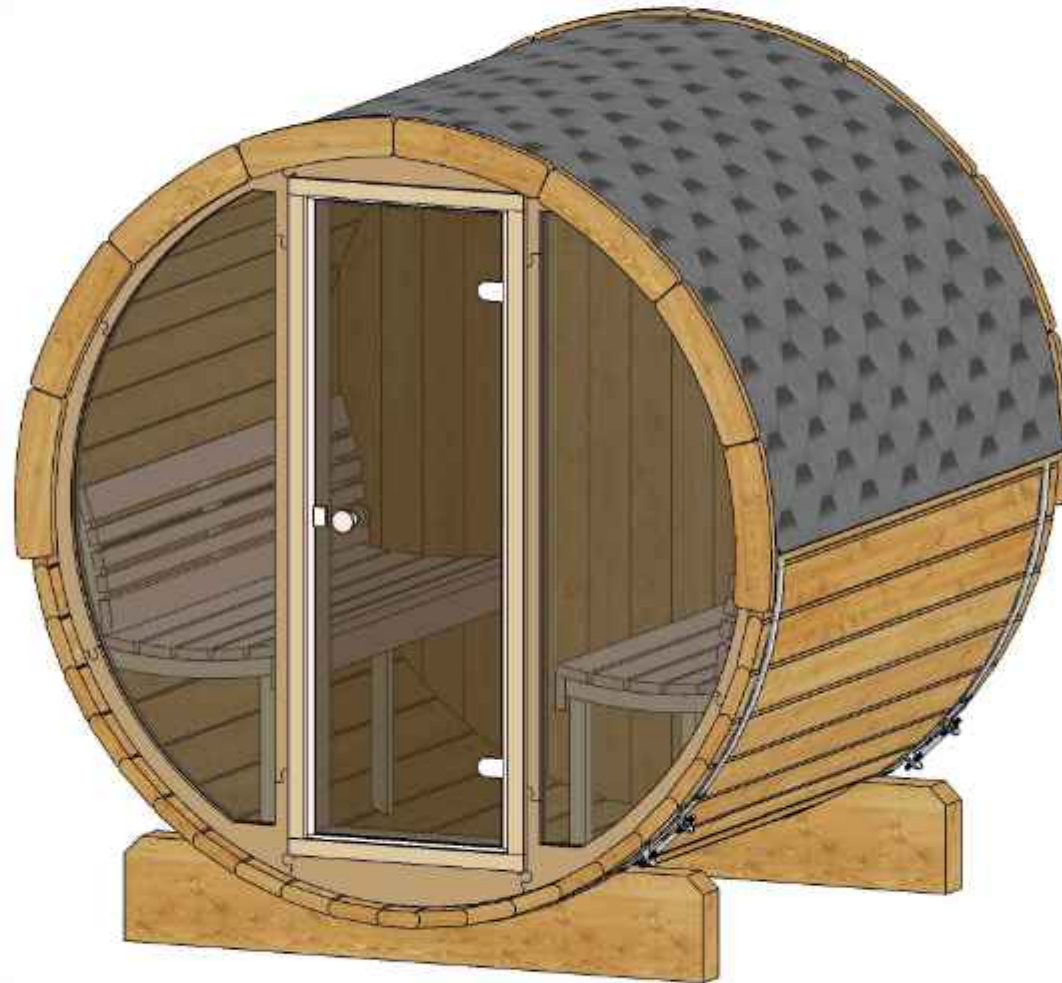




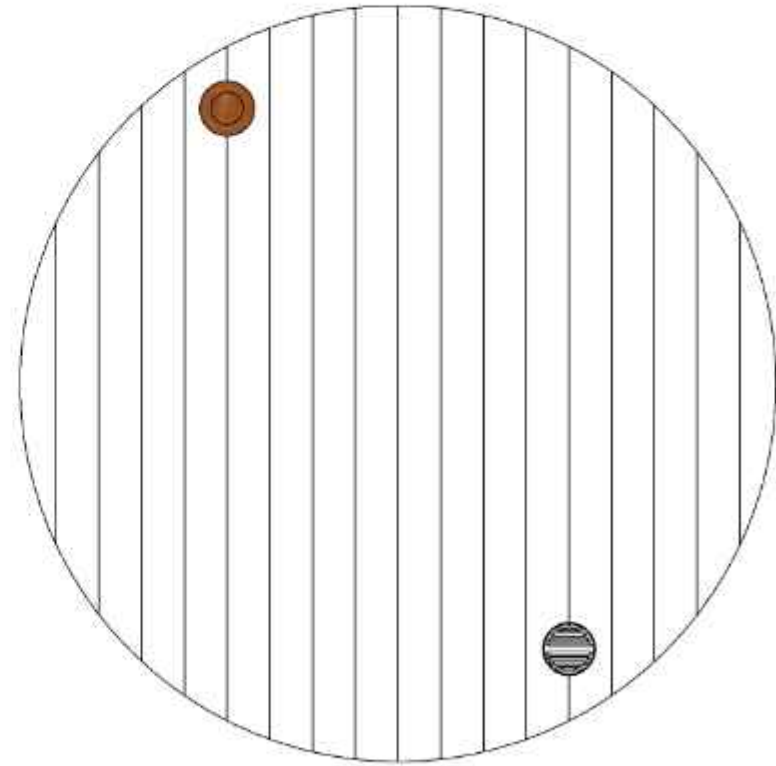
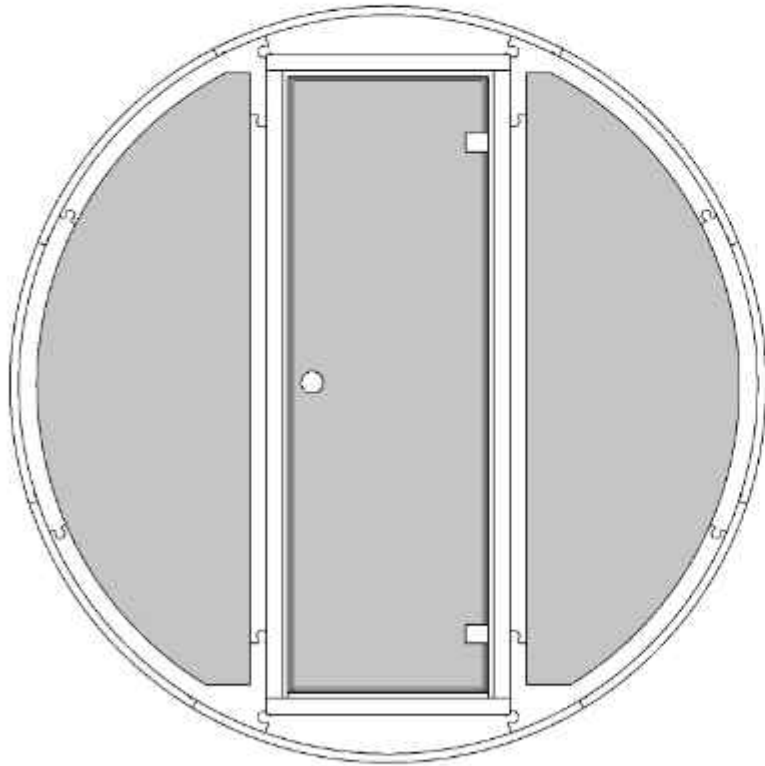
Ergo-Series E7G Barrel Sauna
Full Glass Front 71D" x 81H"



Note: Please read manual before construction

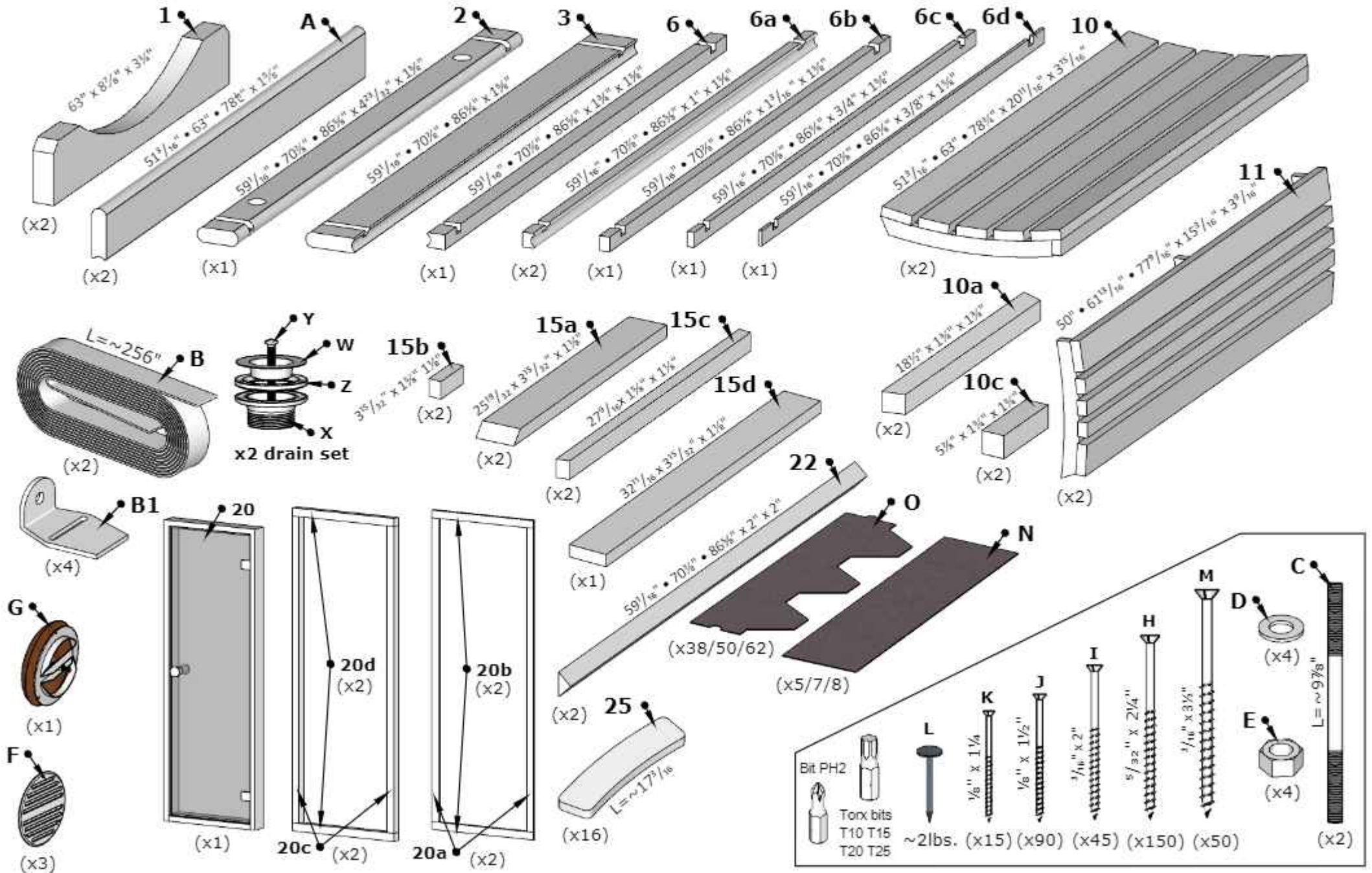
Rev 4/2023

Front & Back Walls



E7G Barrel Sauna 71D" x 81H"

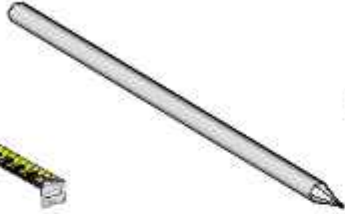
Details list.



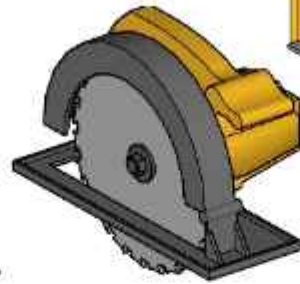
Tools needed



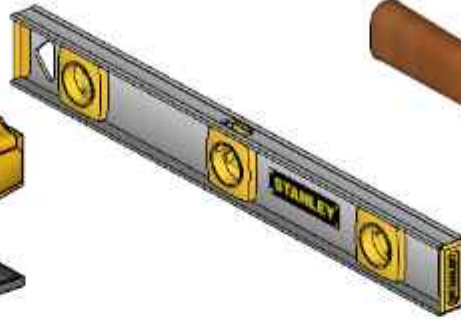
Measuring tape



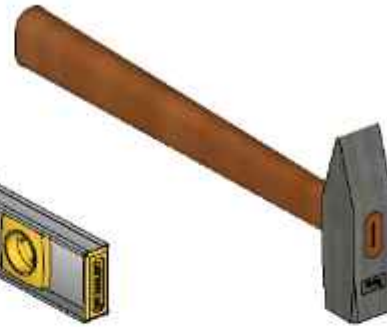
Marker pen



Circular saw



Water level



Hammer



Extra hands



Ratchet strap



Silicone gun
(Only glass-wall models)



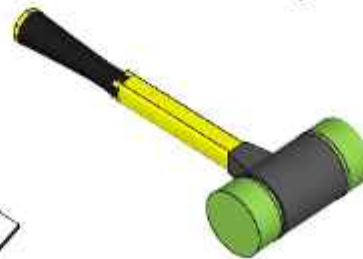
Drill



Crescent wrench

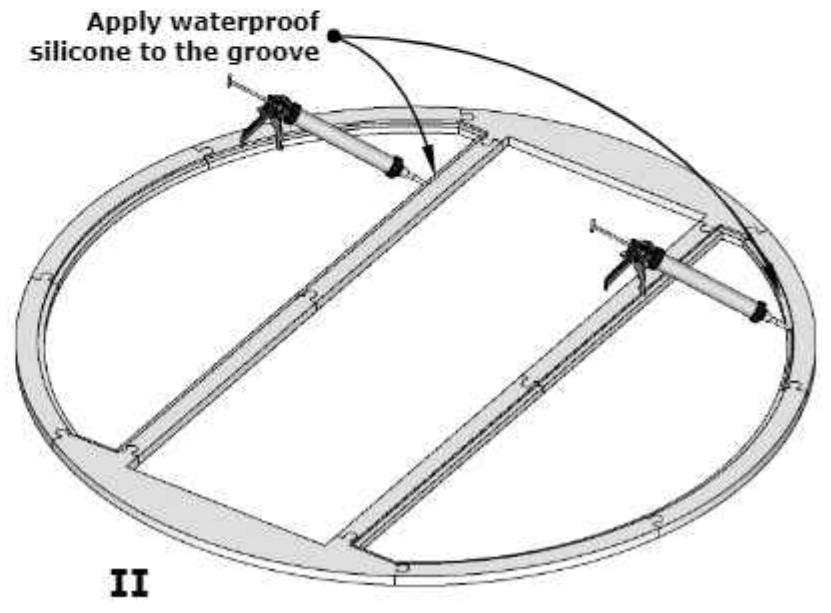
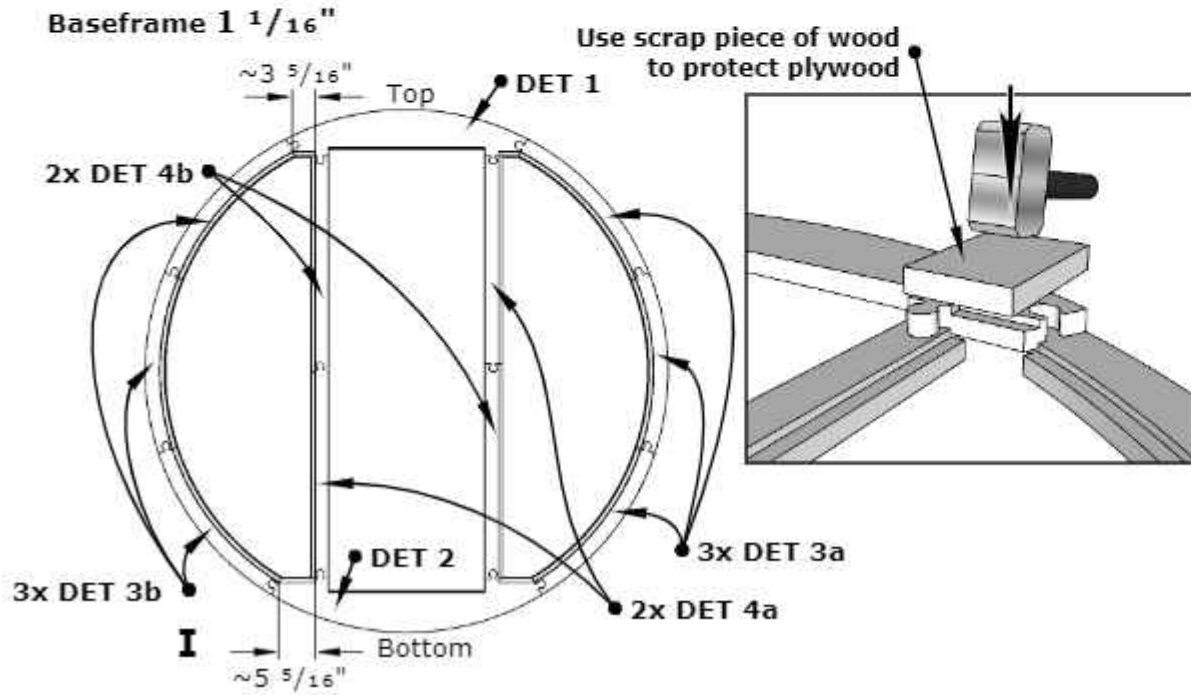
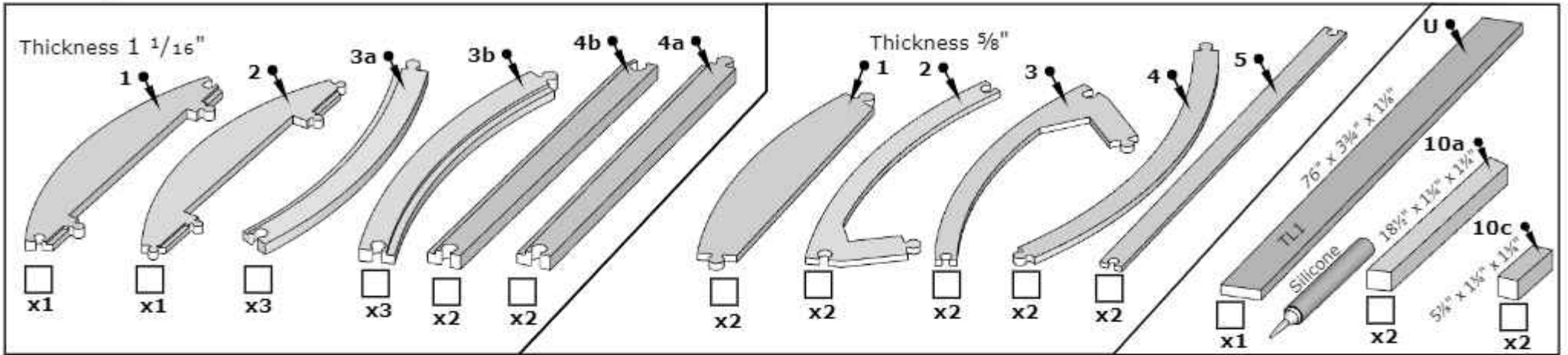


Utility knife



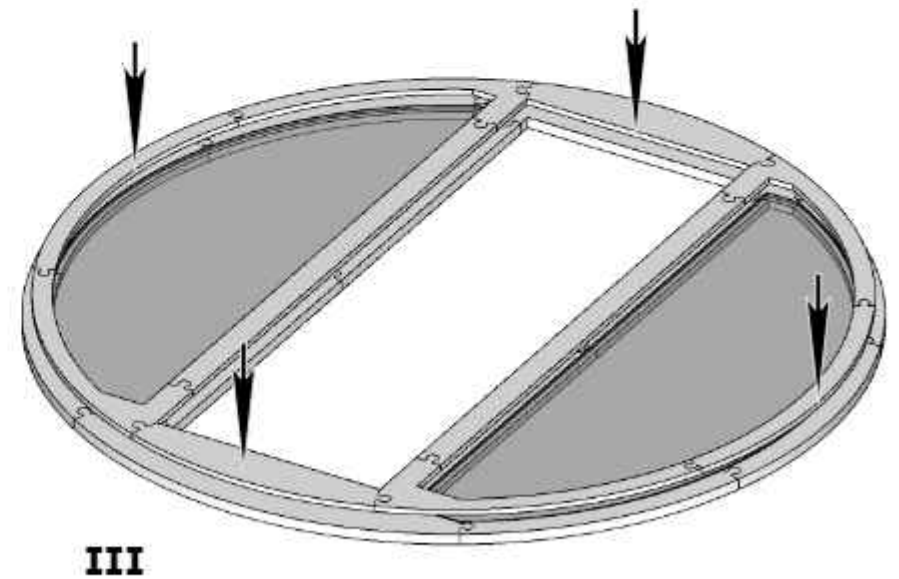
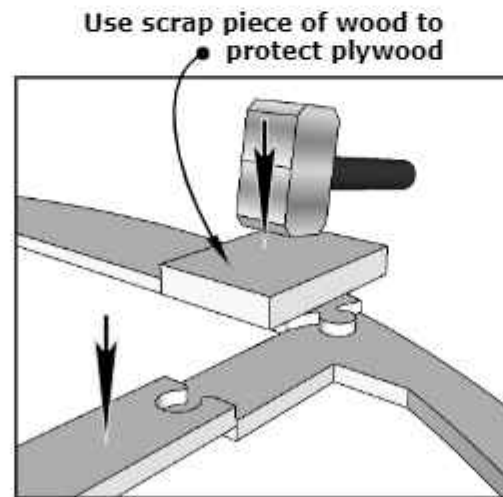
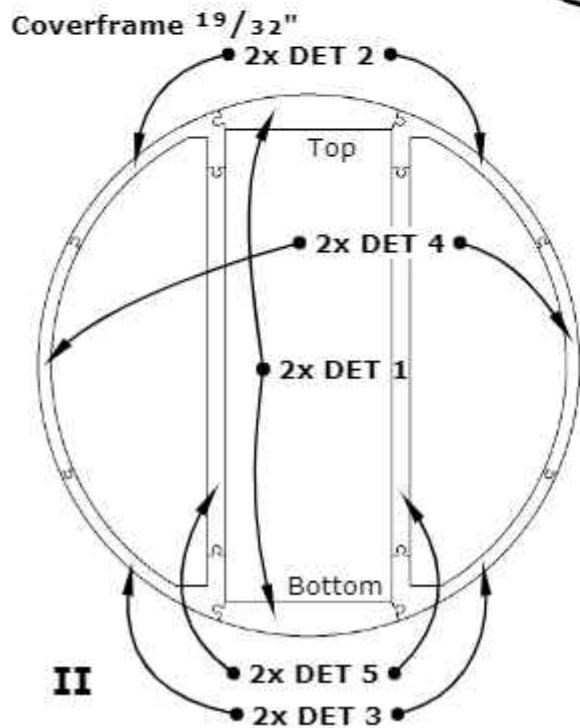
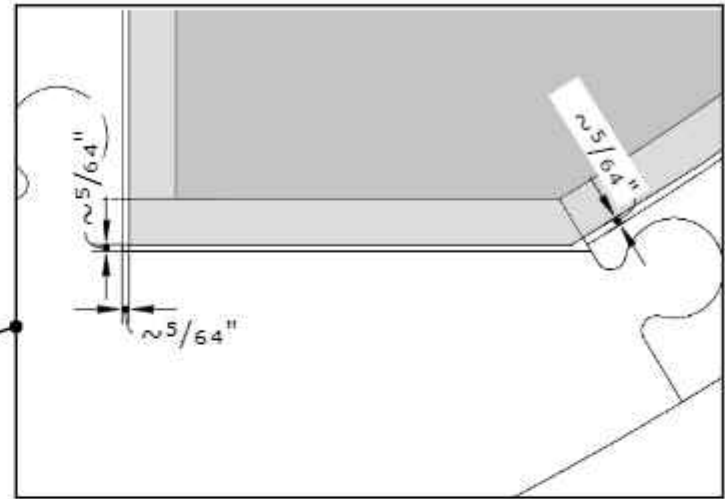
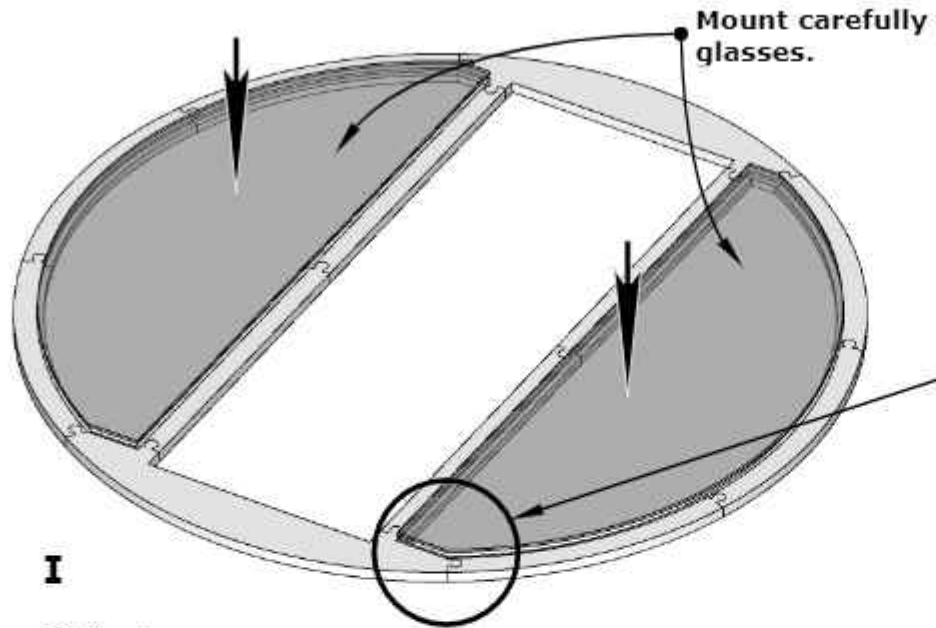
Rubber mallet

Front glass wall installation

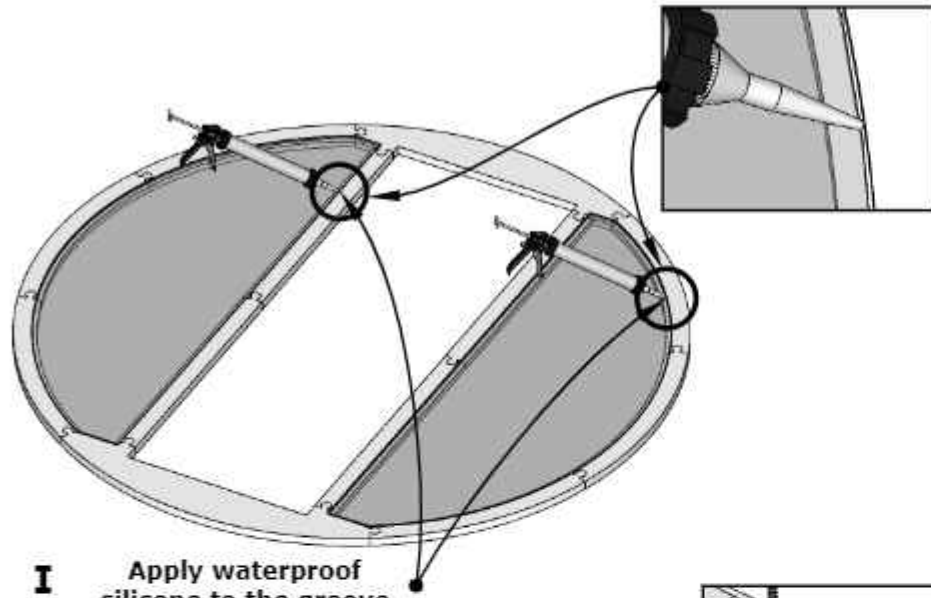


1.

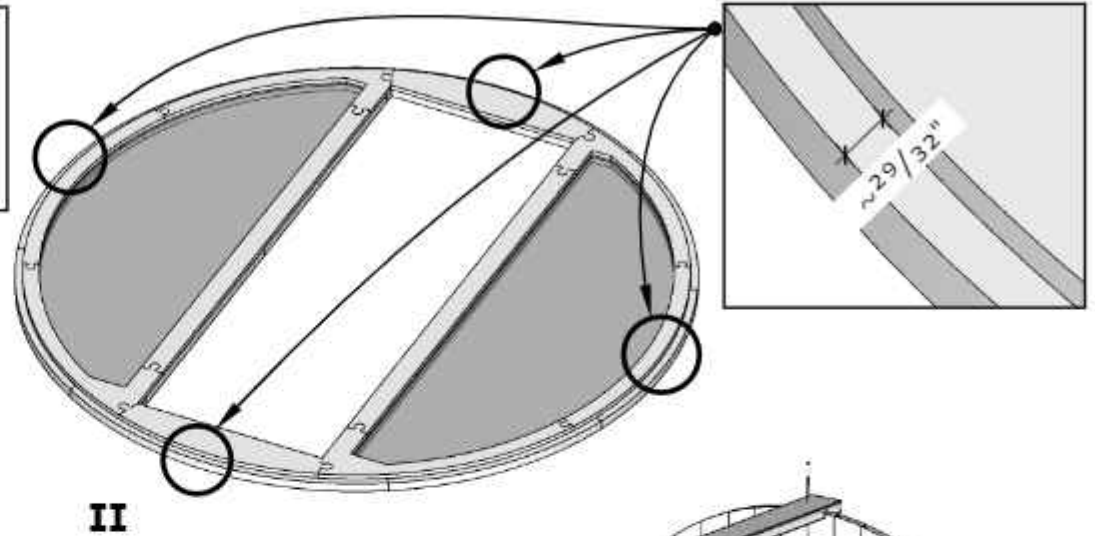
Front glass wall installation



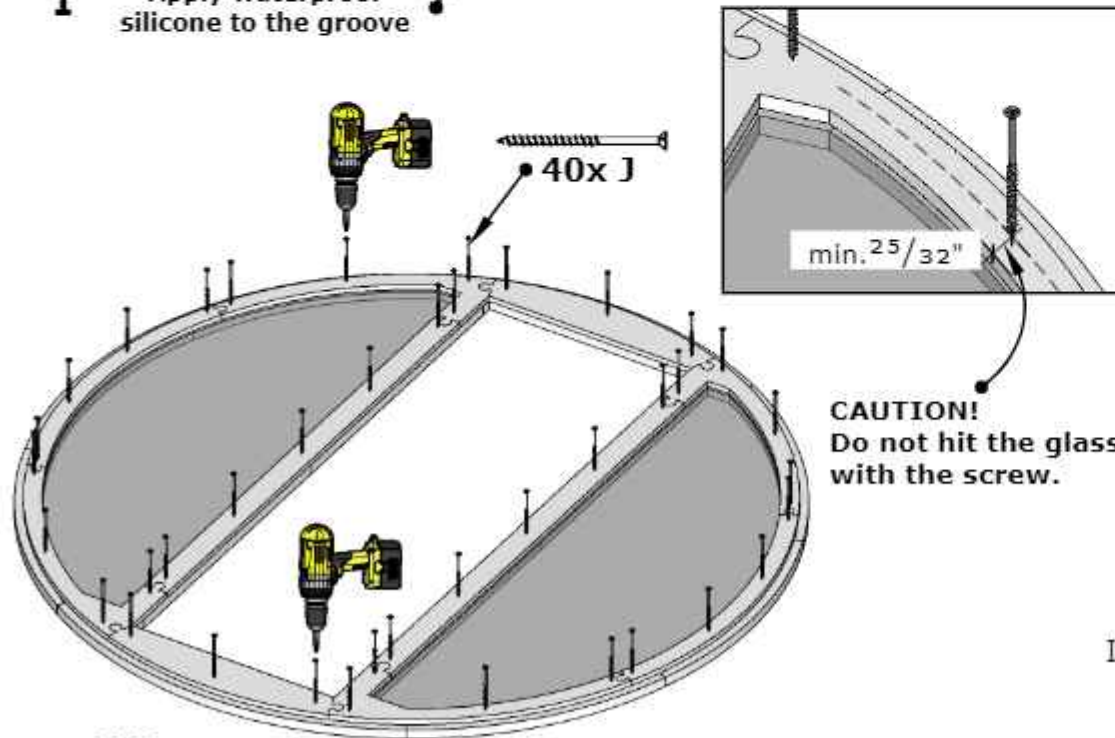
Front glass wall installation



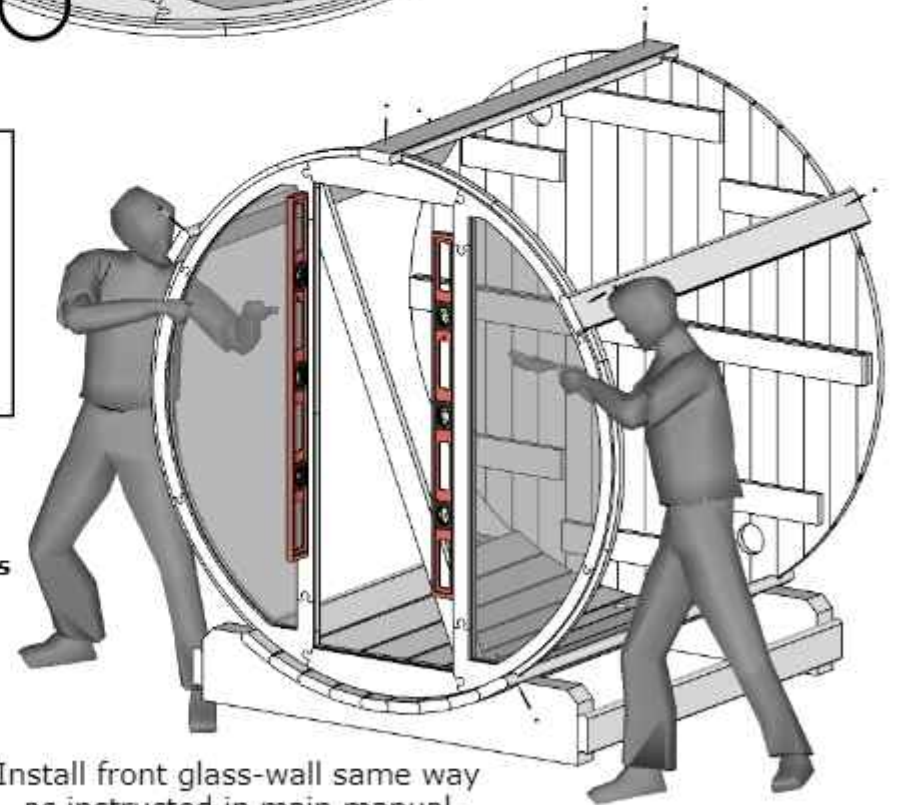
I Apply waterproof silicone to the groove



II



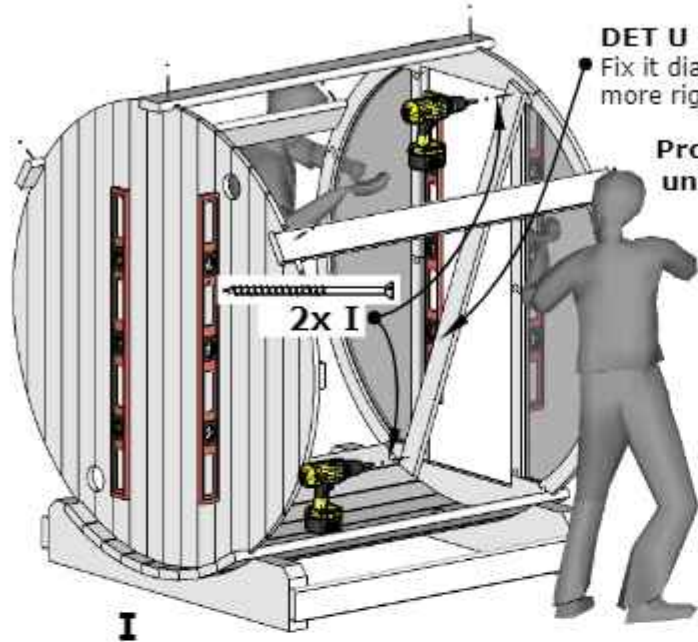
CAUTION!
Do not hit the glass with the screw.



Install front glass-wall same way as instructed in main manual.

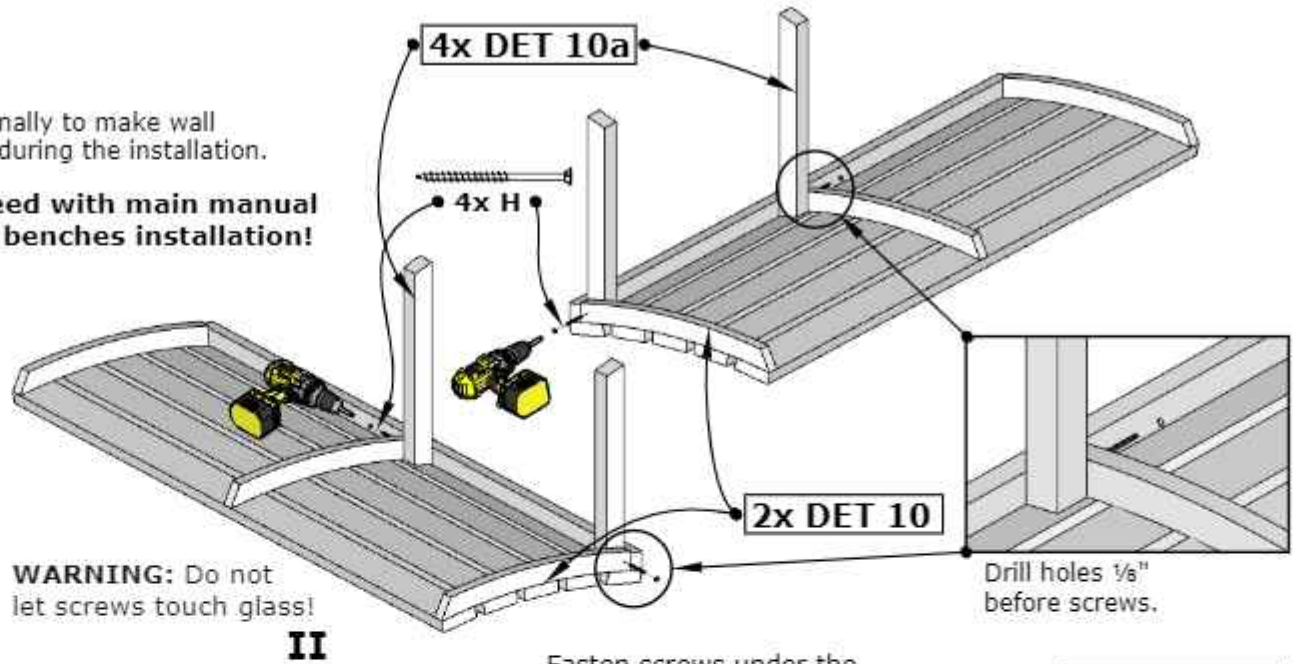
IV

Front glass wall installation

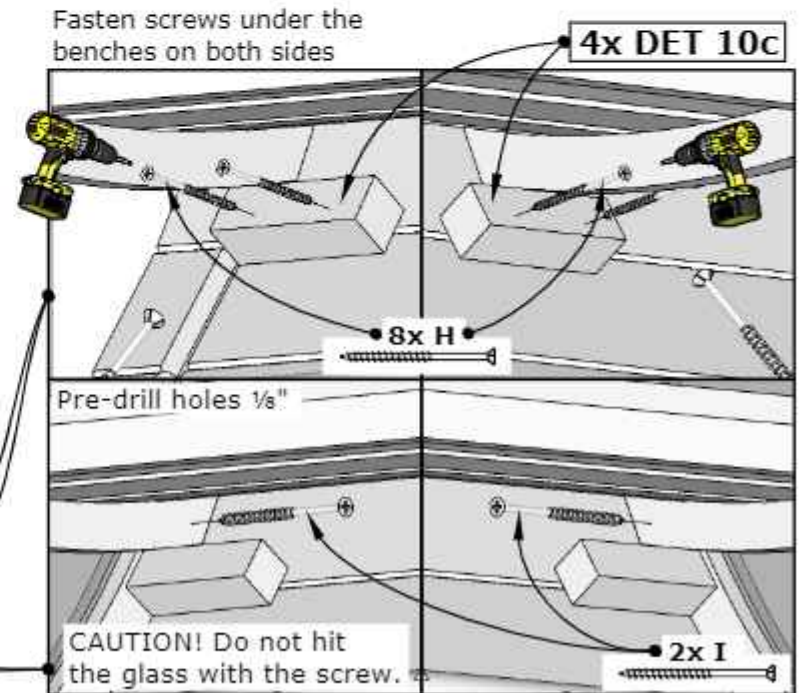
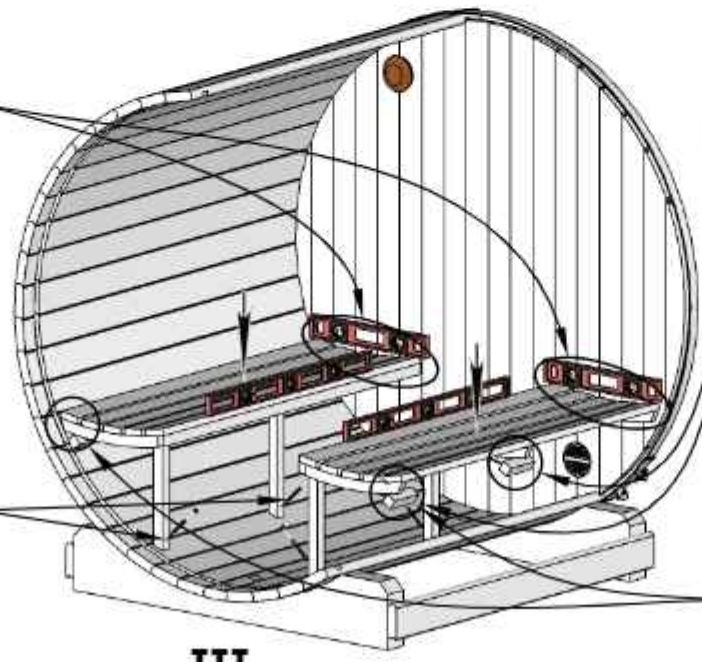
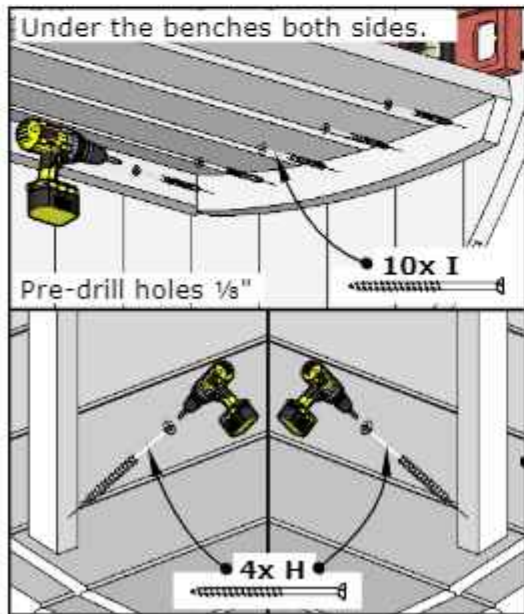


DET U
Fix it diagonally to make wall more rigid during the installation.

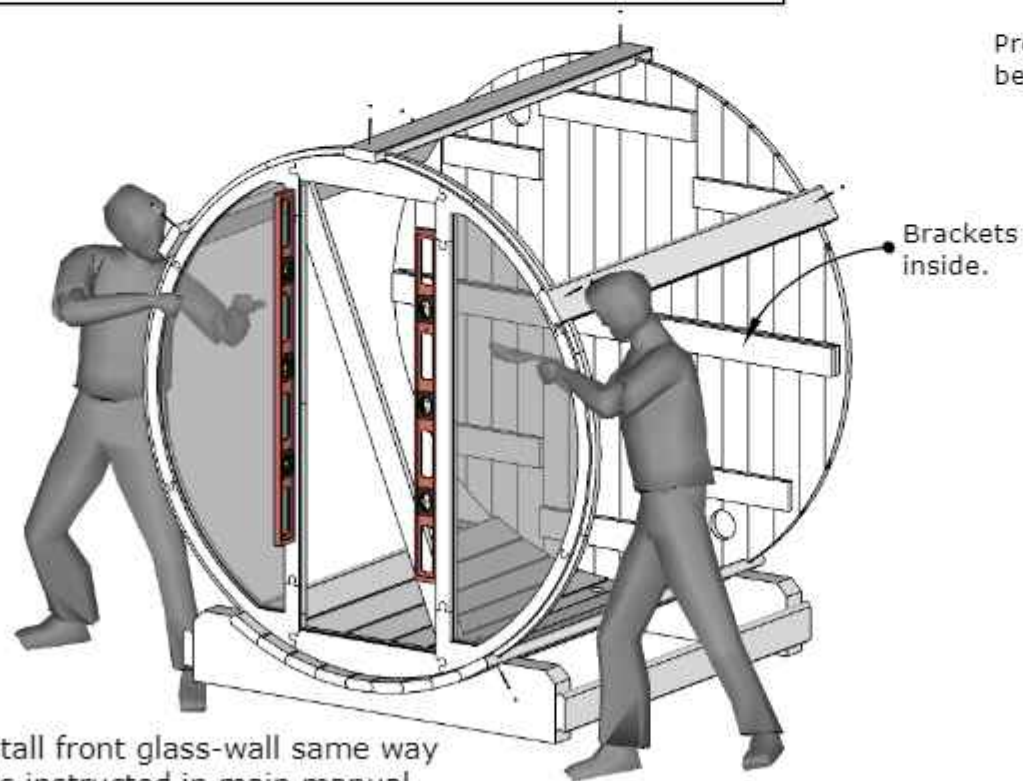
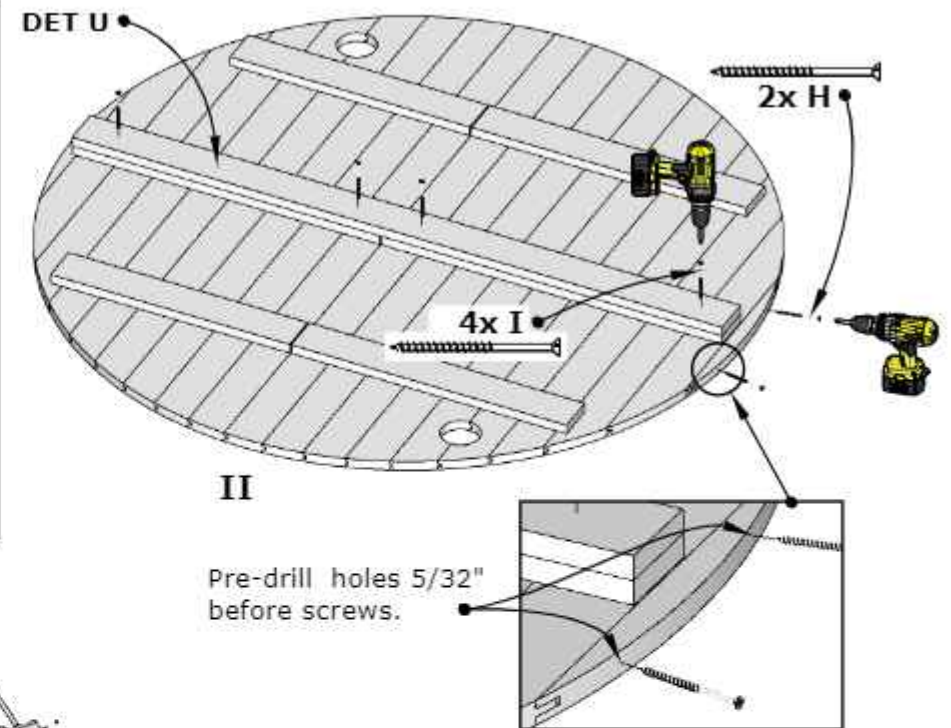
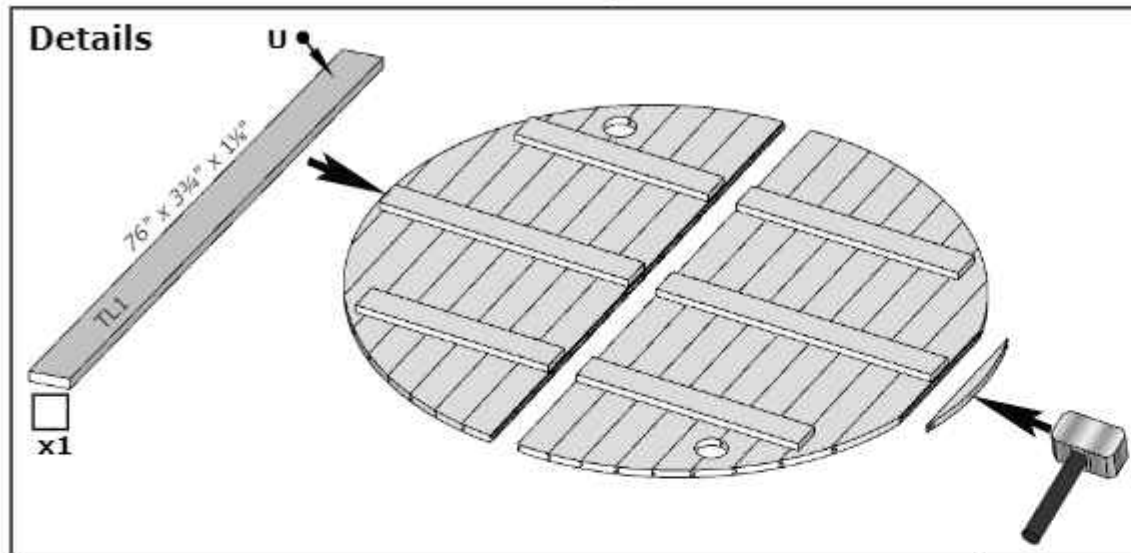
Proceed with main manual until benches installation!



Drill holes 1/8" before screws.



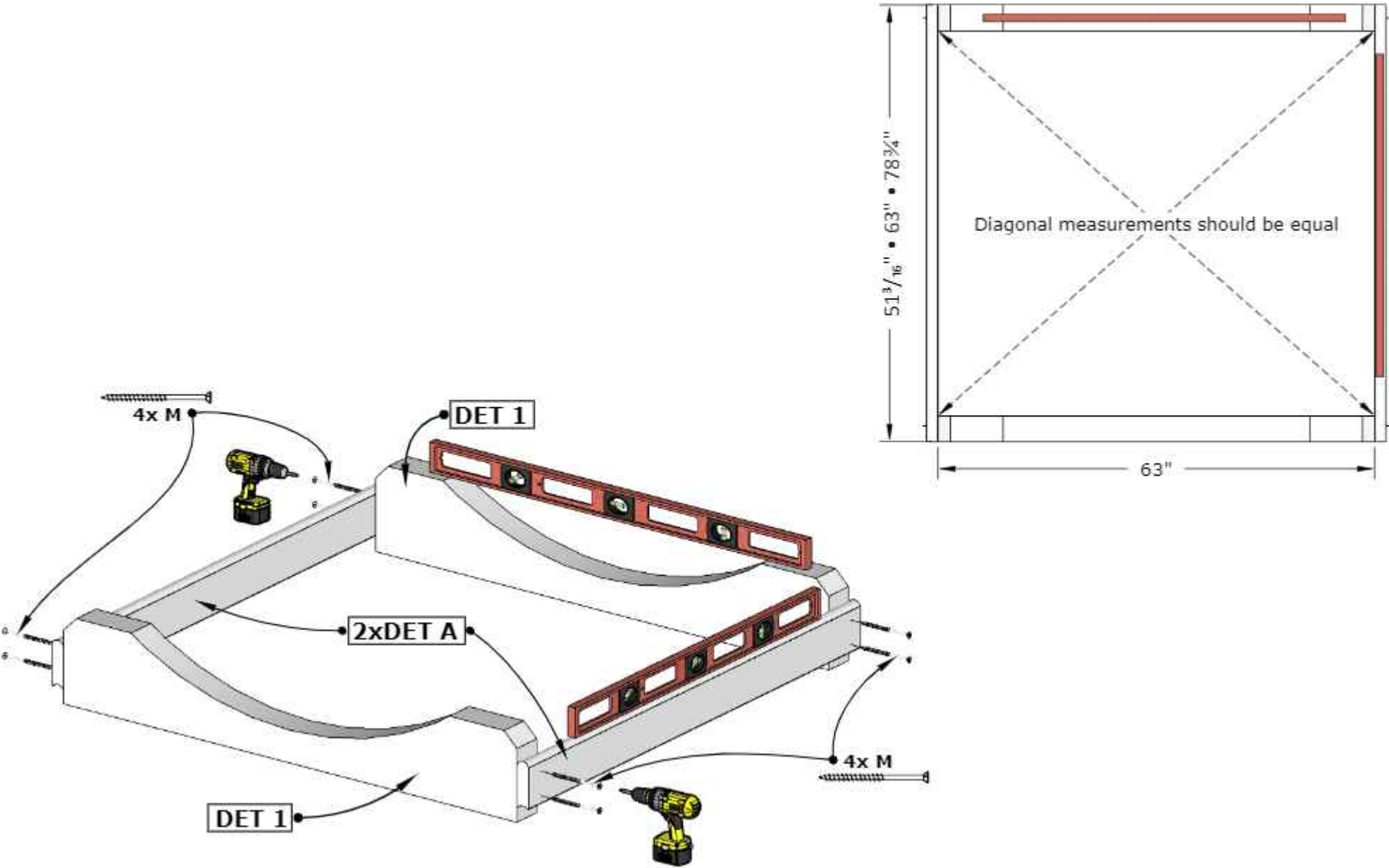
Wooden back wall assembly



Install front glass-wall same way as instructed in main manual.

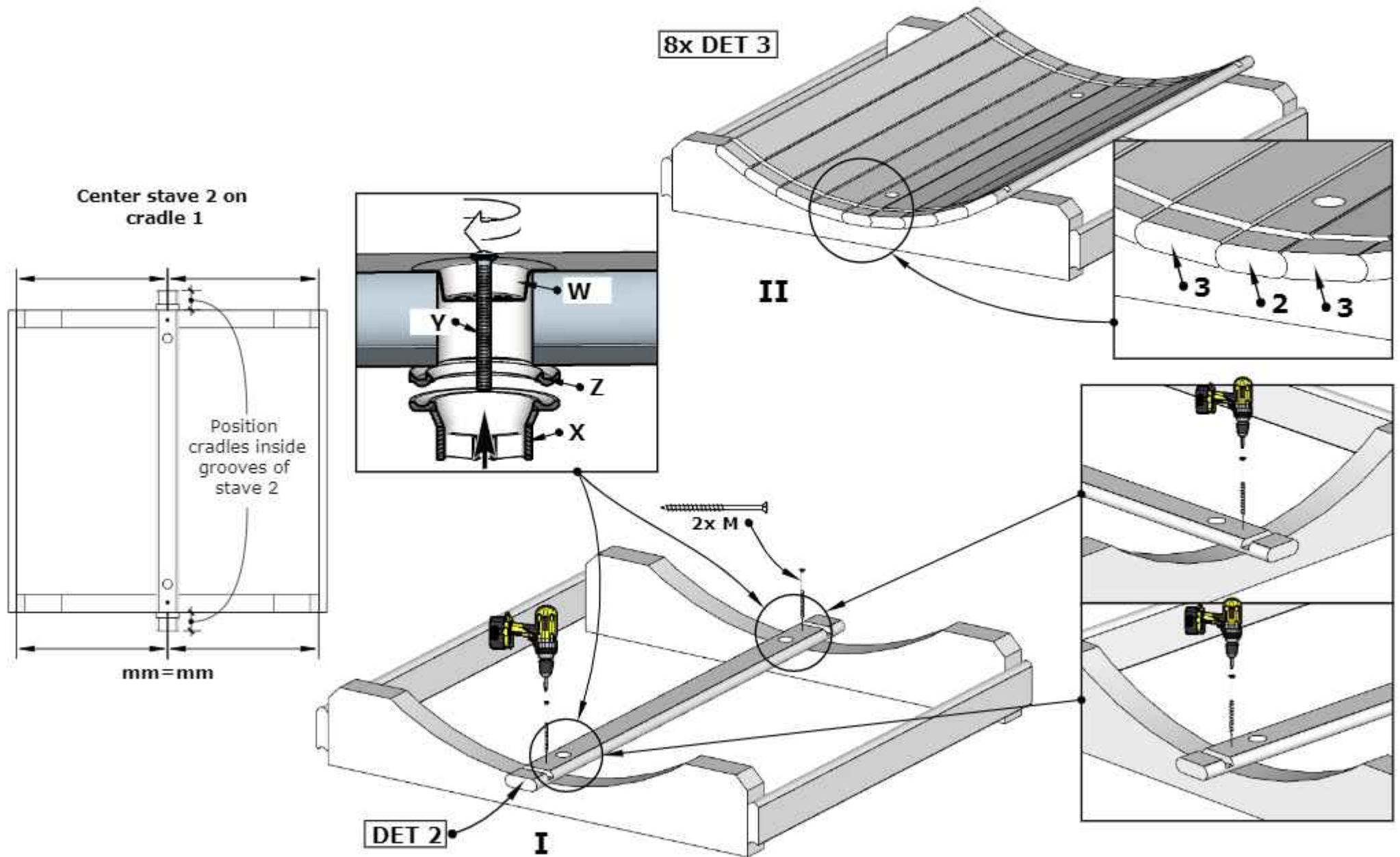
III

E7G Barrel Sauna 71D" x 81H"

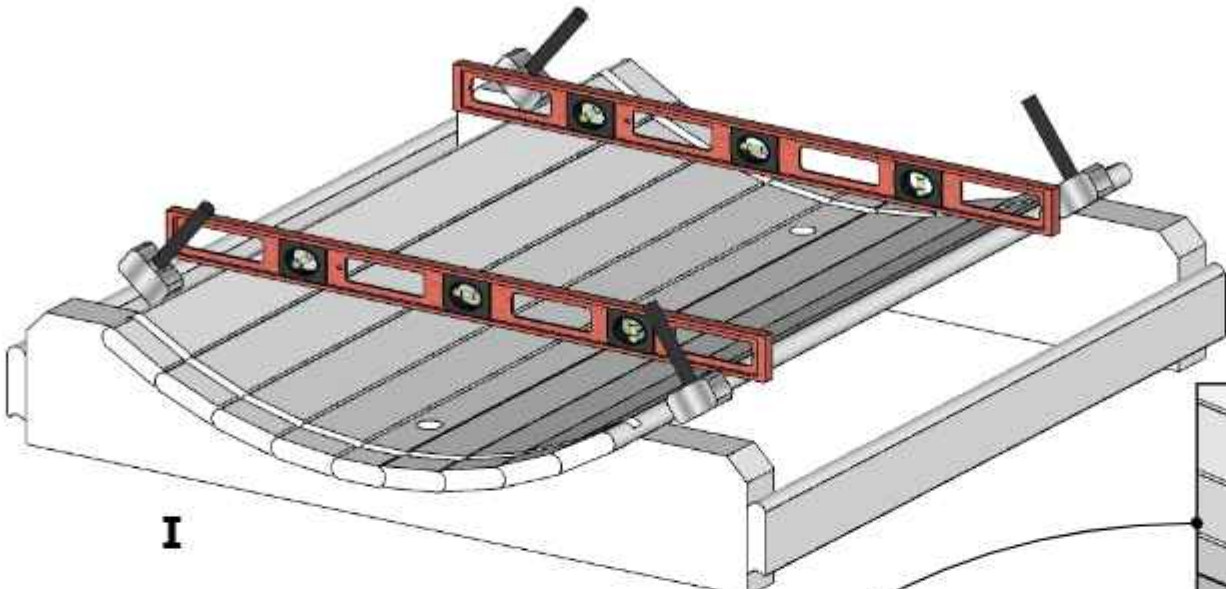


1.

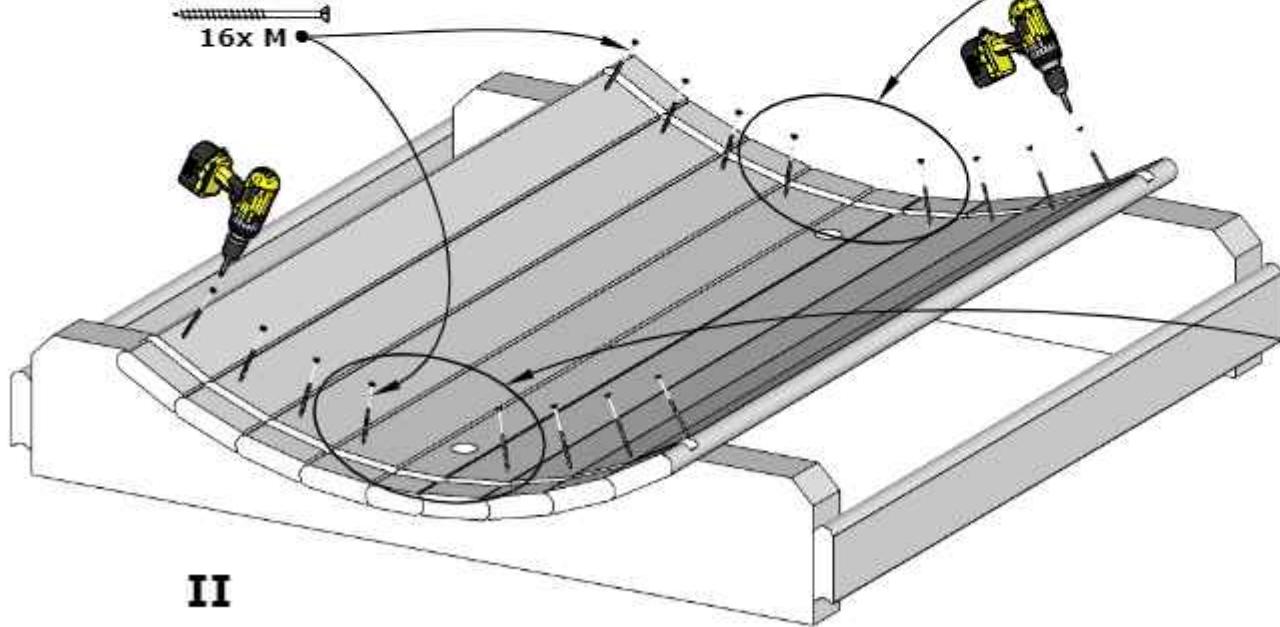
E7G Barrel Sauna 71D" x 81H"



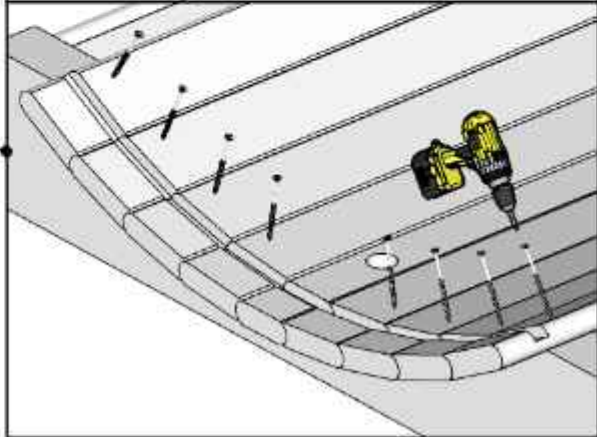
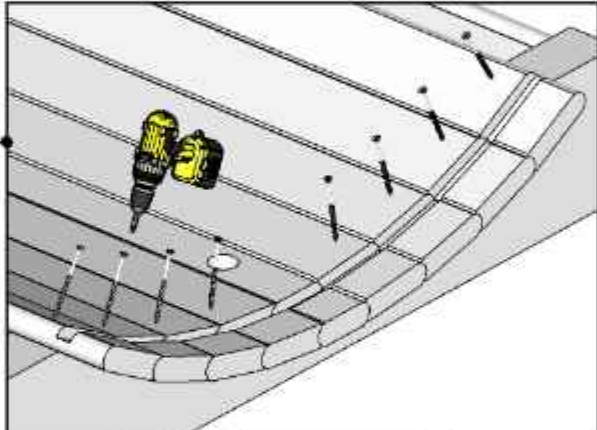
E7G Barrel Sauna 71D" x 81H"



I

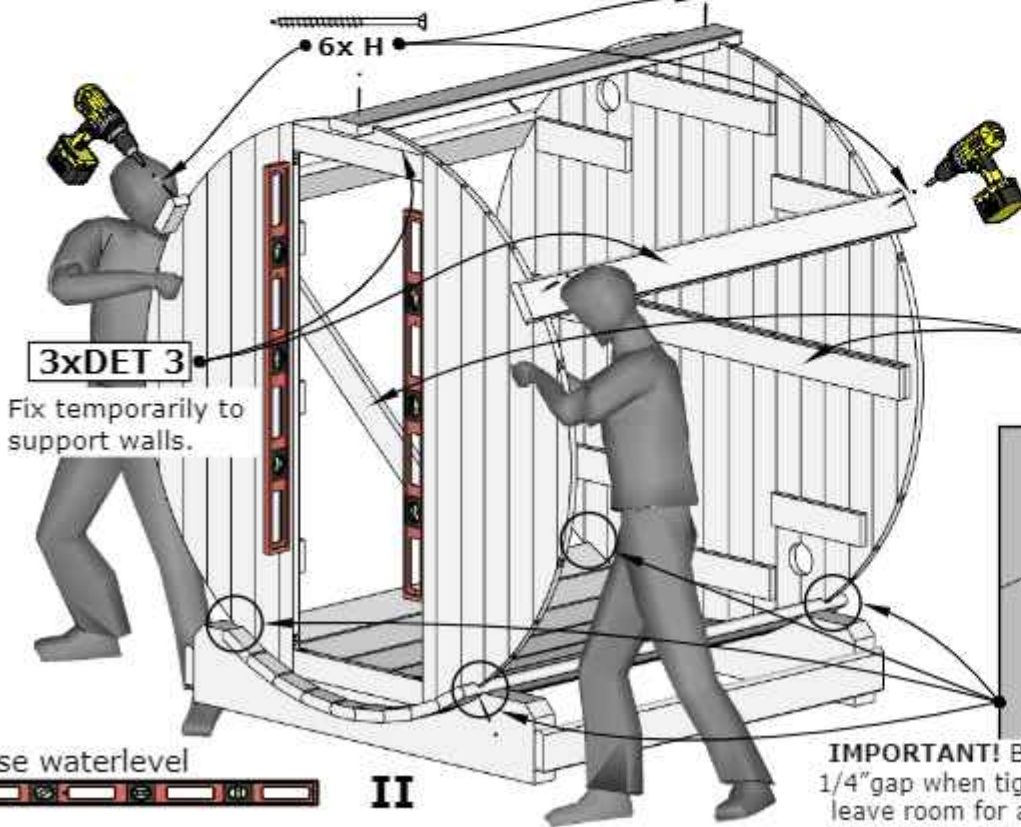
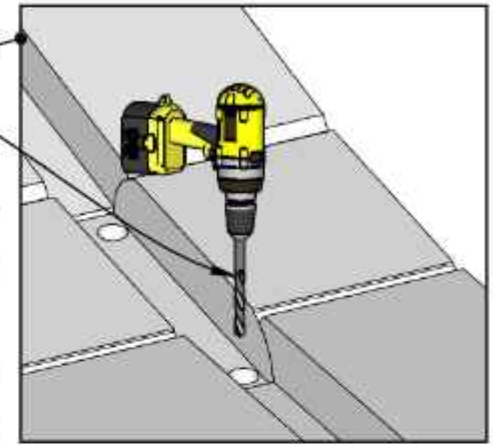
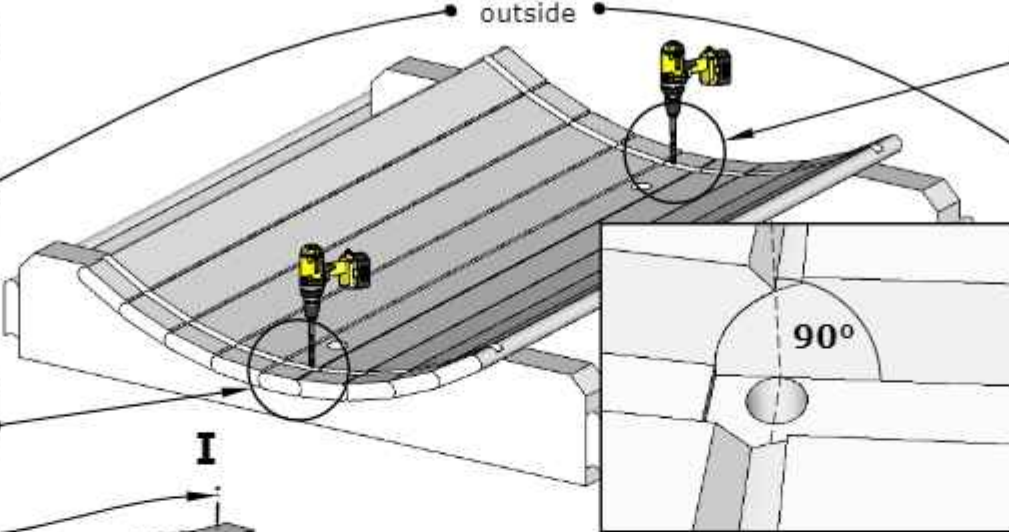
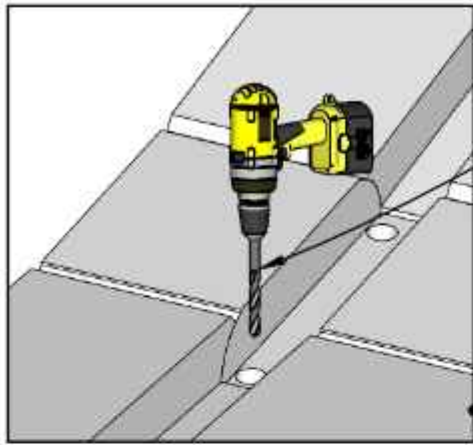


II



E7G Barrel Sauna 71D" x 81H"

Drill 4 holes $\varnothing 1/2"$
through DET 2
outside

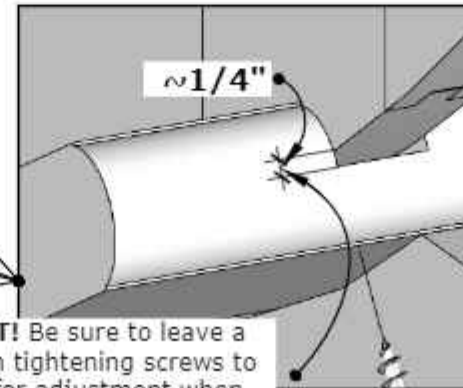


3xDET 3
Fix temporarily to
support walls.

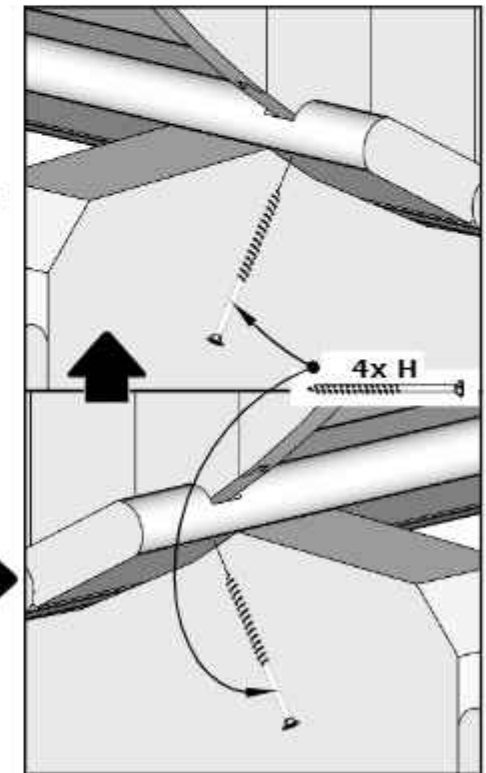
Check walls installation
manual on extra pages!

Sauna wall configuration
depends on Your model!

Brackets inside



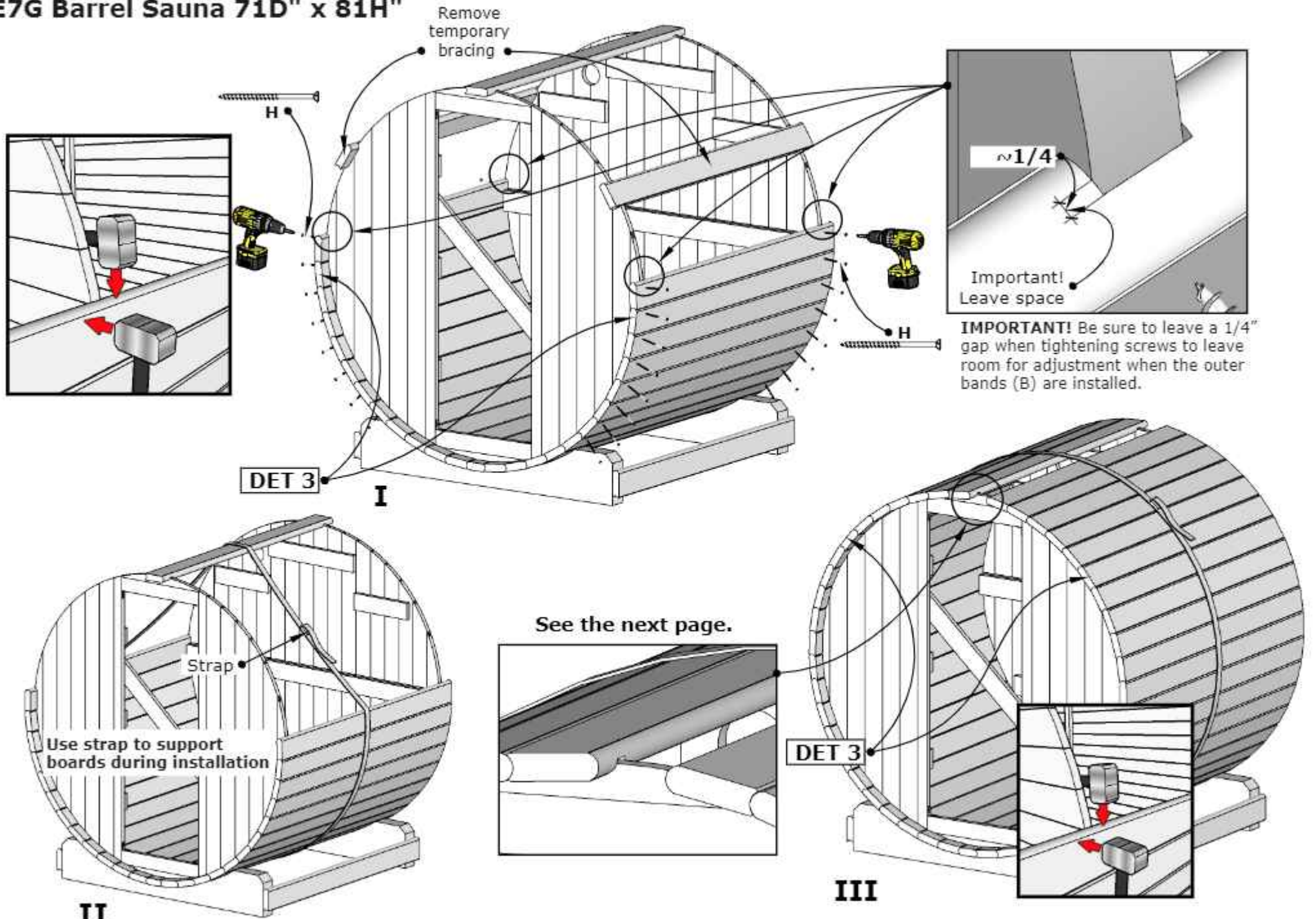
IMPORTANT! Be sure to leave a
 $1/4"$ gap when tightening screws to
leave room for adjustment when
the outer bands (B) are installed.



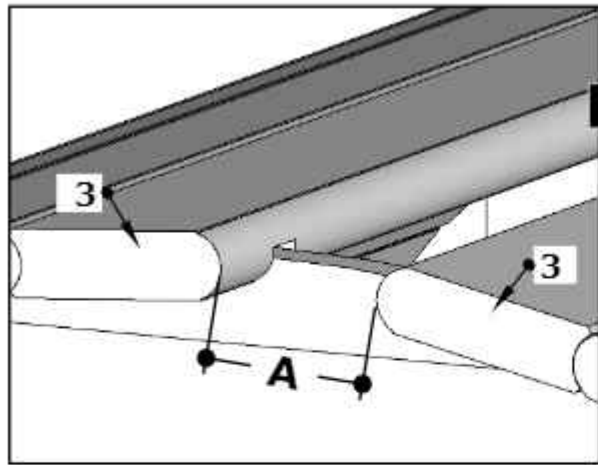
Use waterlevel

II

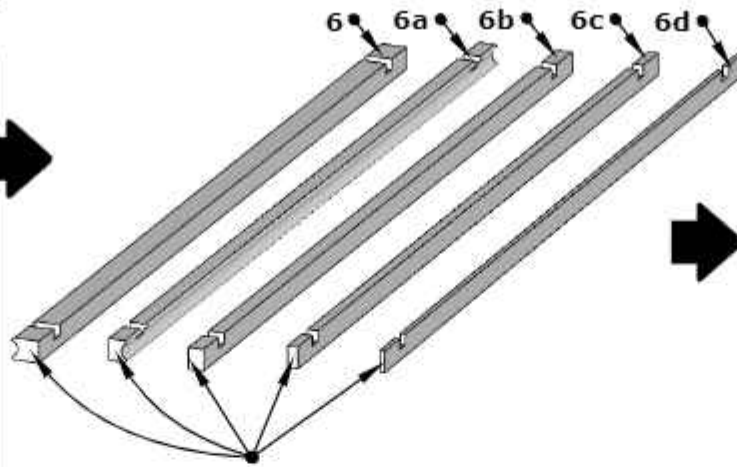
E7G Barrel Sauna 71D" x 81H"



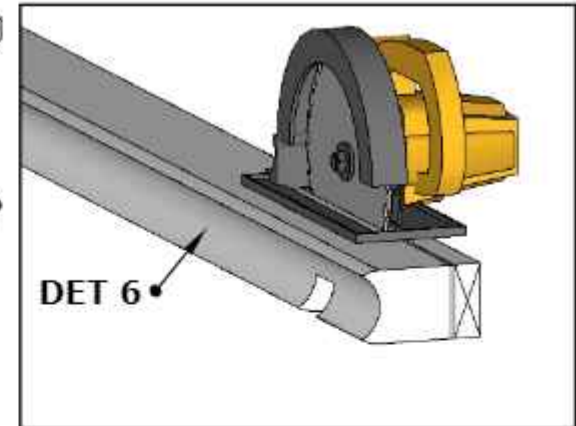
E7G Barrel Sauna 71D" x 81H"



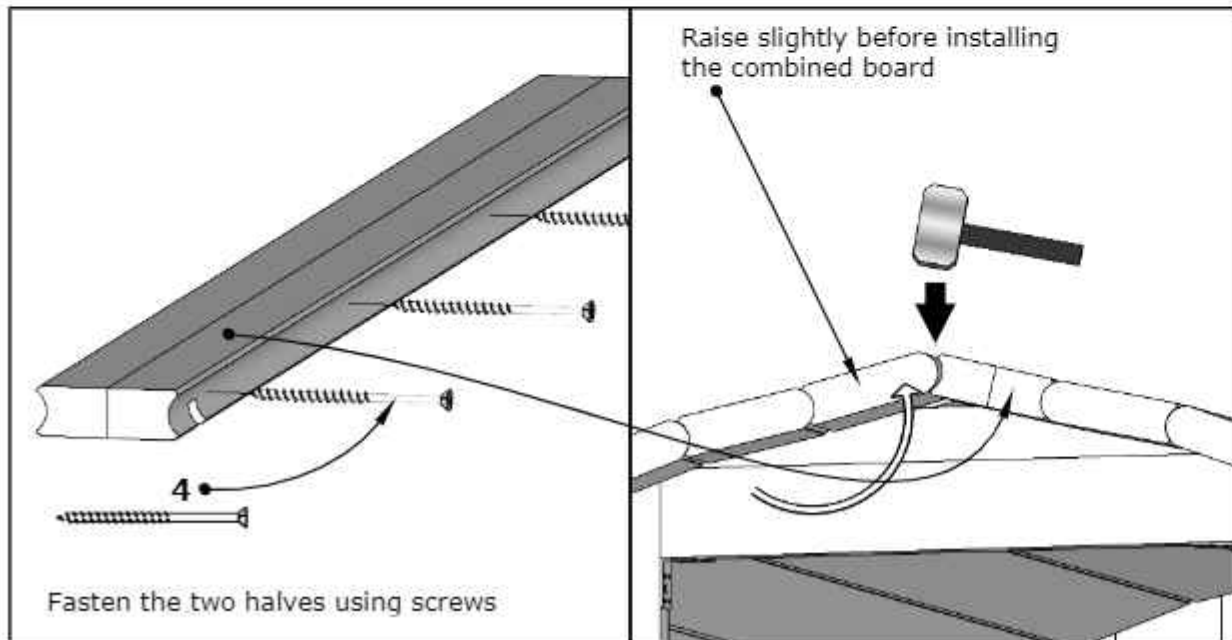
I



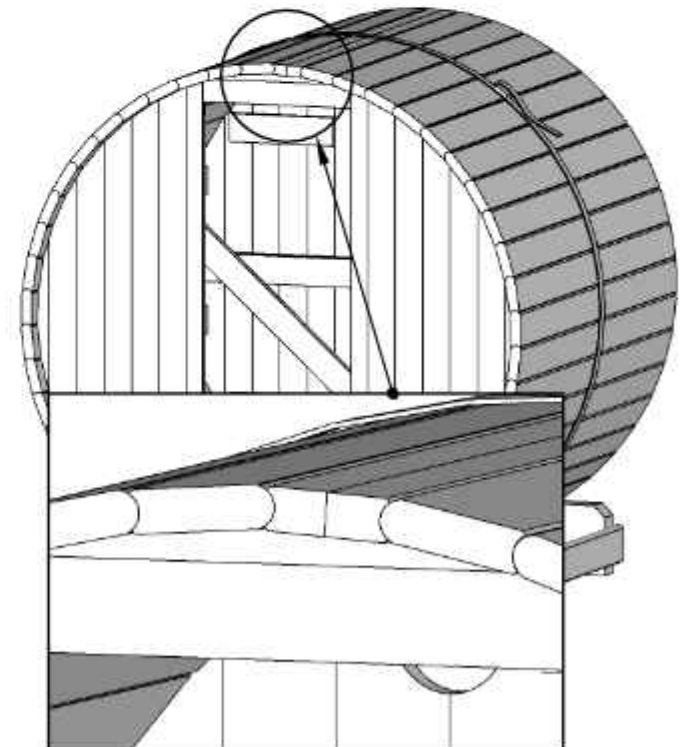
Join two boards together (as shown in diagram II) that will bridge the width of the "A" gap. It is recommended that the combined boards are approximately 1/4" wider than the gap.



If needed, trim the flat edge of the board to create the desired width.

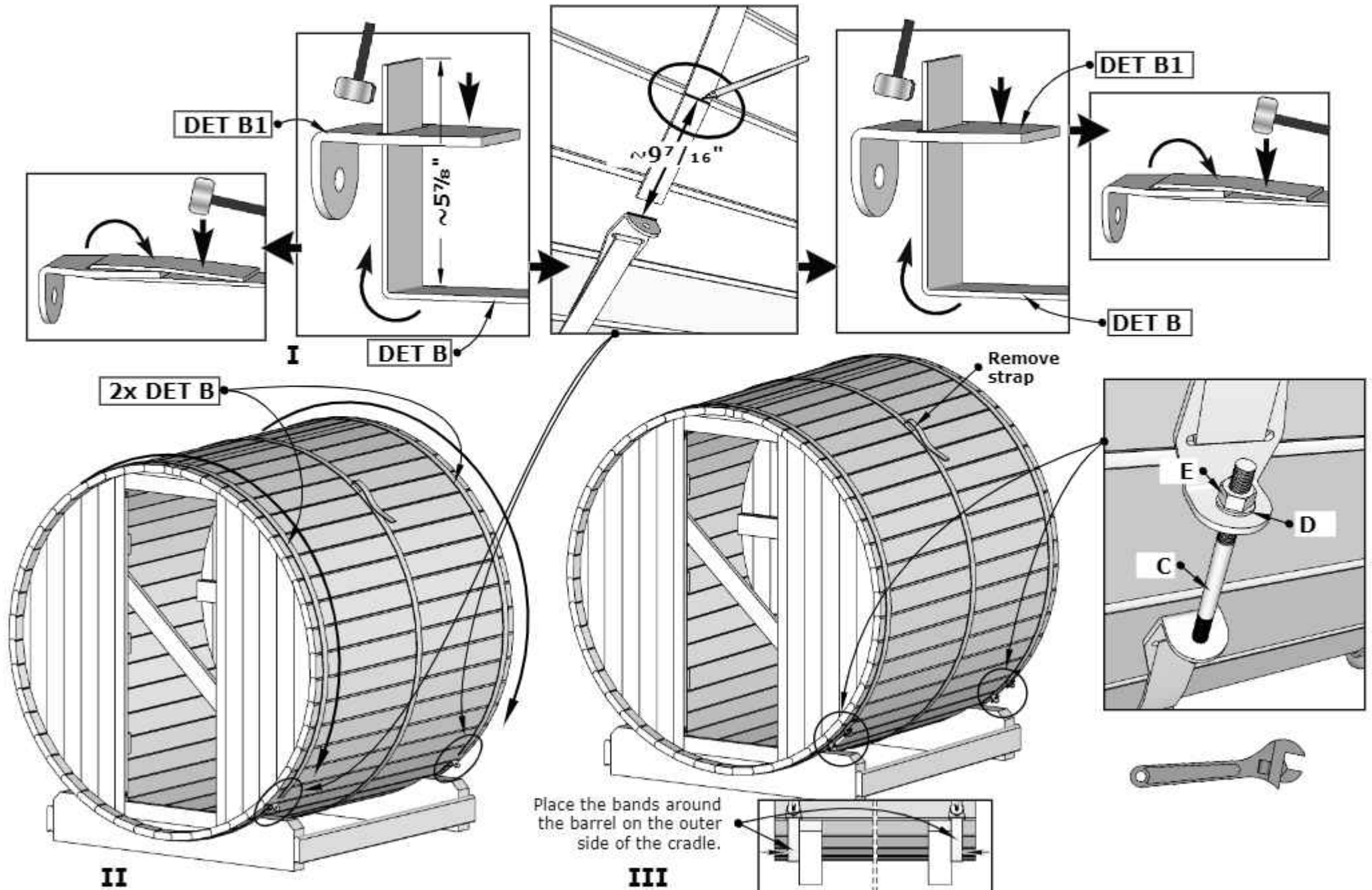


II



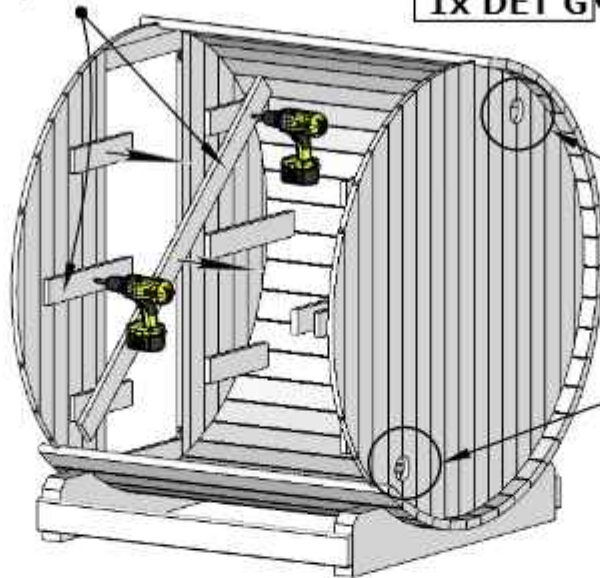
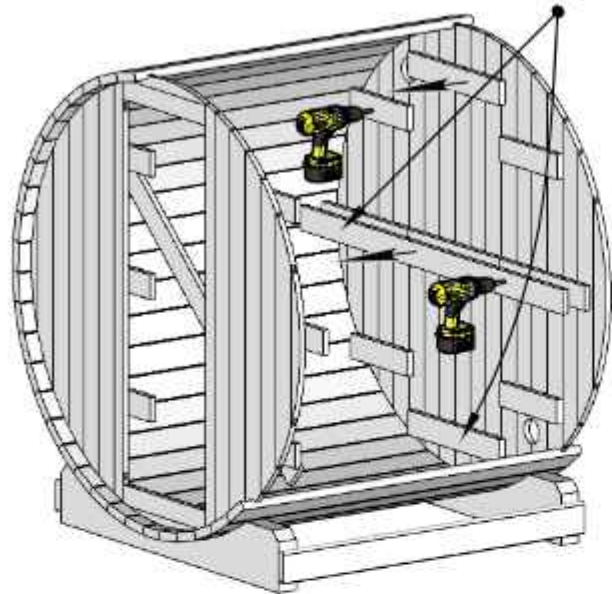
III

E7G Barrel Sauna 71D" x 81H"

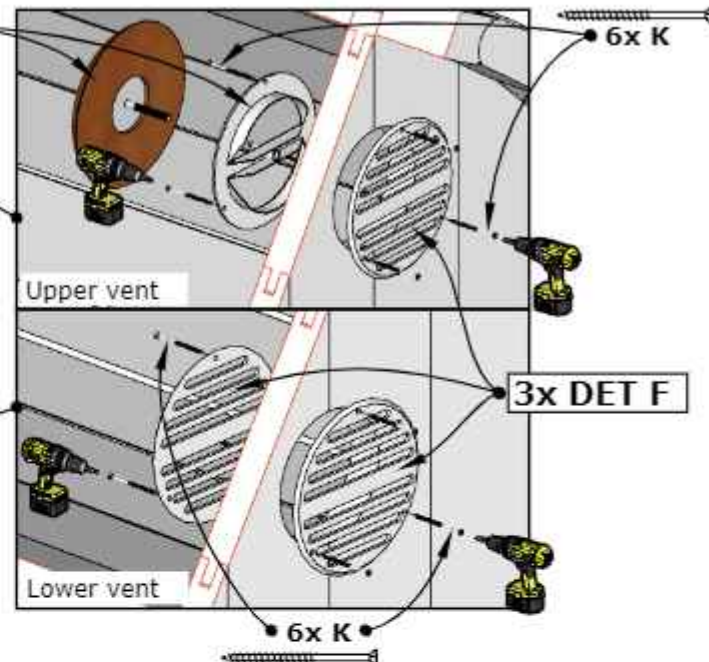


E7G Barrel Sauna 71D" x 81H"

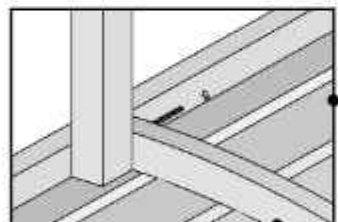
Remove all temporary braces



1x DET G



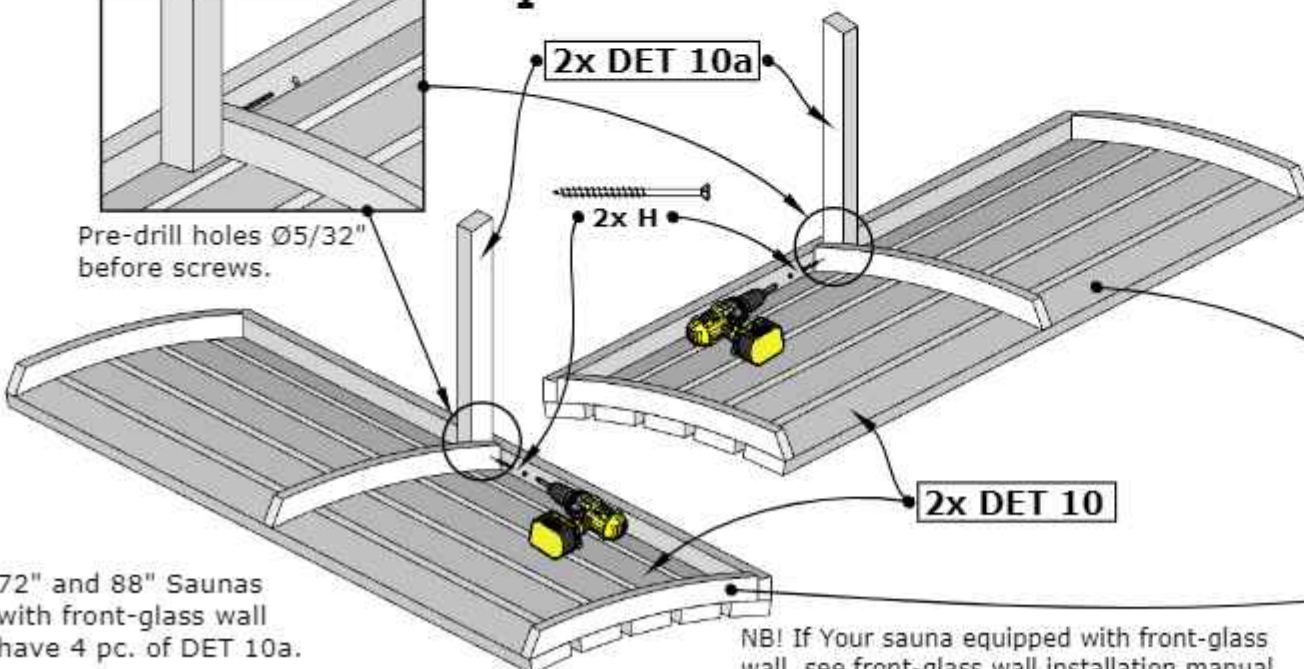
I



Pre-drill holes Ø5/32" before screws.

2x DET 10a

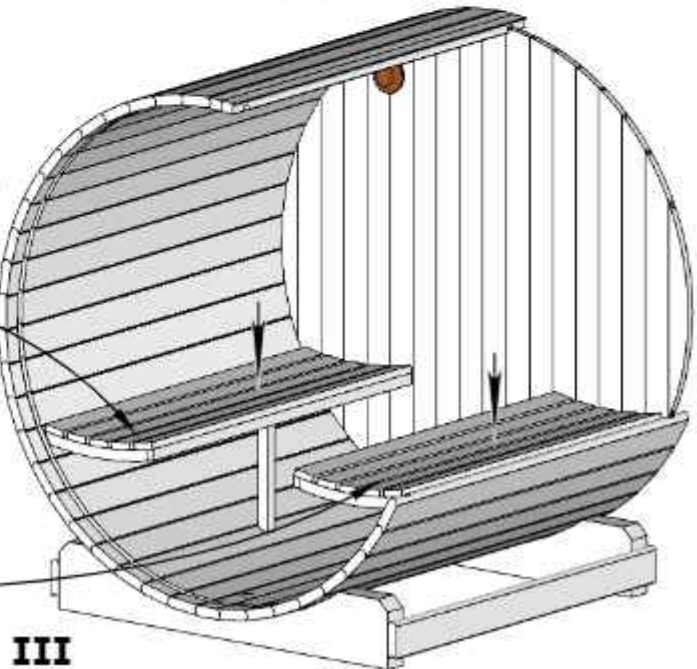
2x H



72" and 88" Saunas with front-glass wall have 4 pc. of DET 10a.

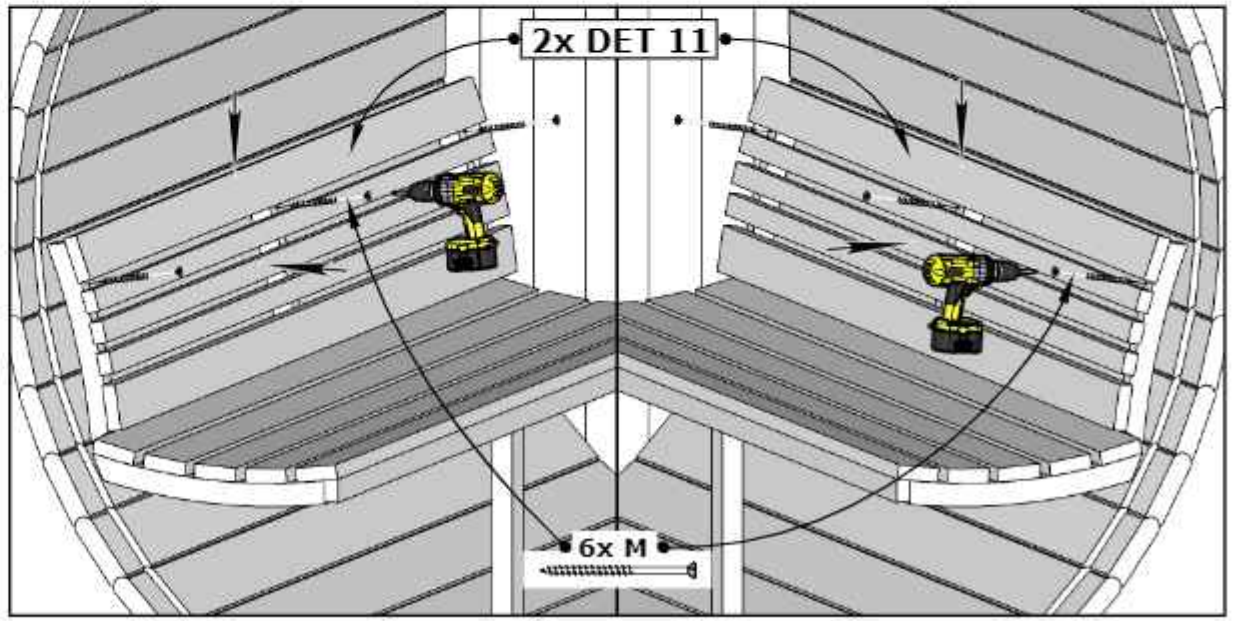
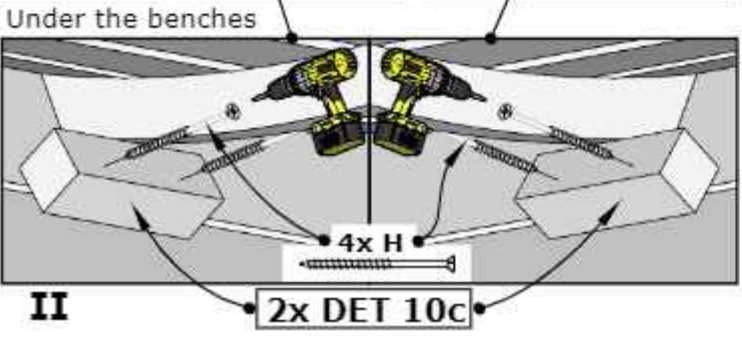
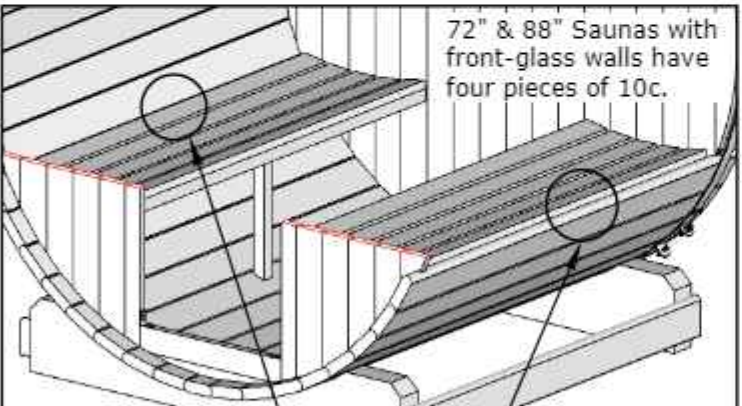
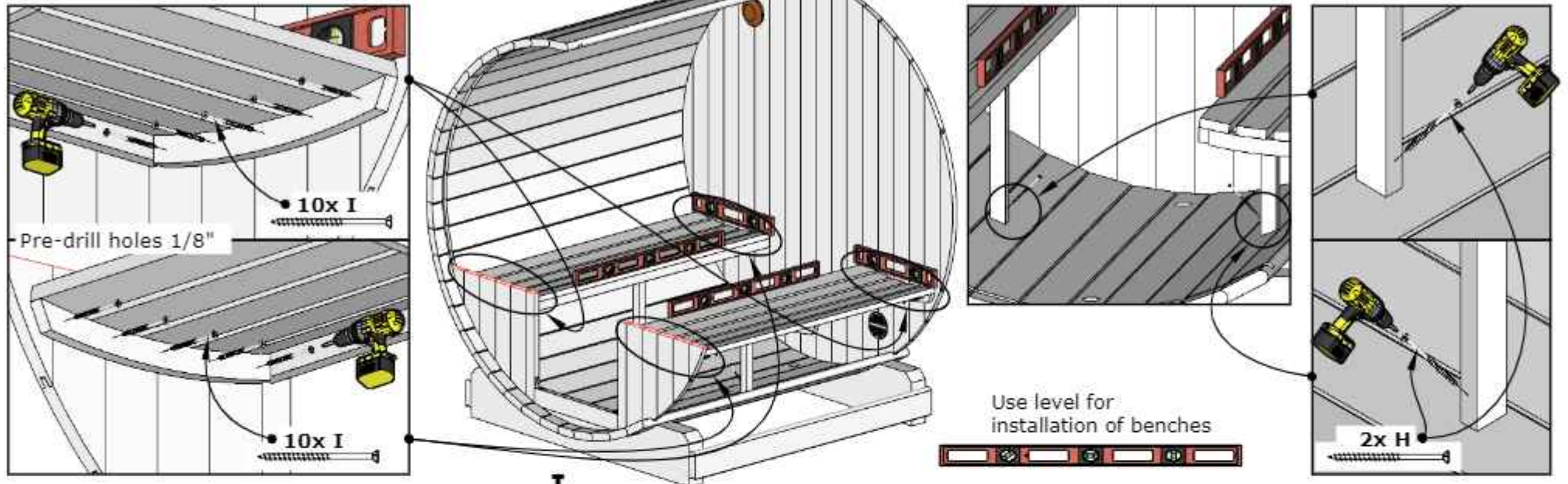
II

NB! If Your sauna equipped with front-glass wall, see front-glass wall installation manual for proper benches installation.

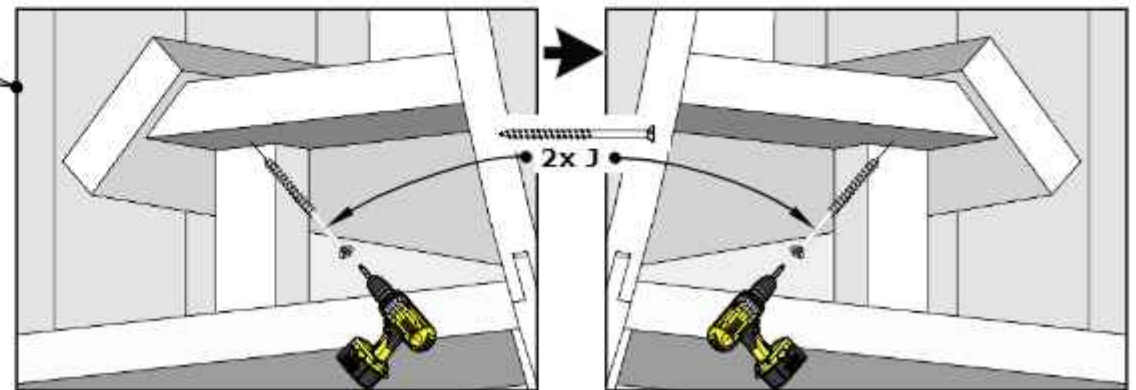
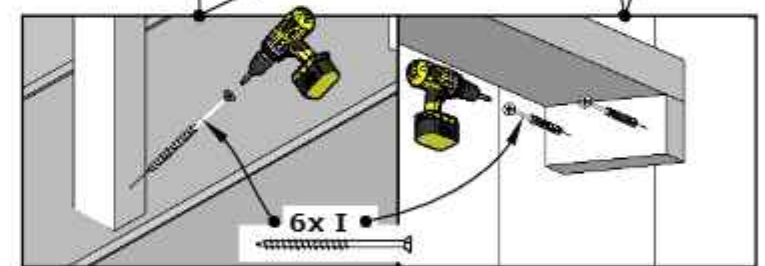
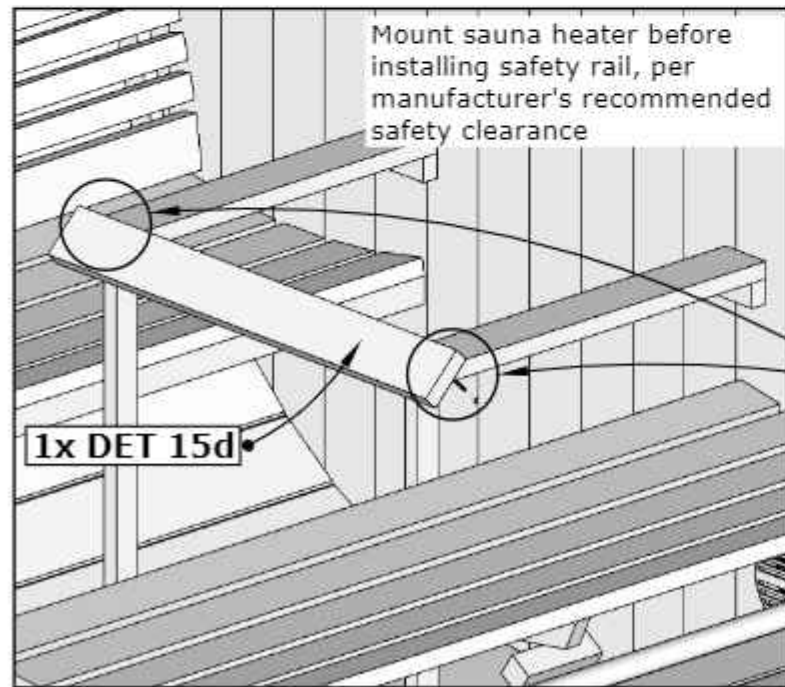
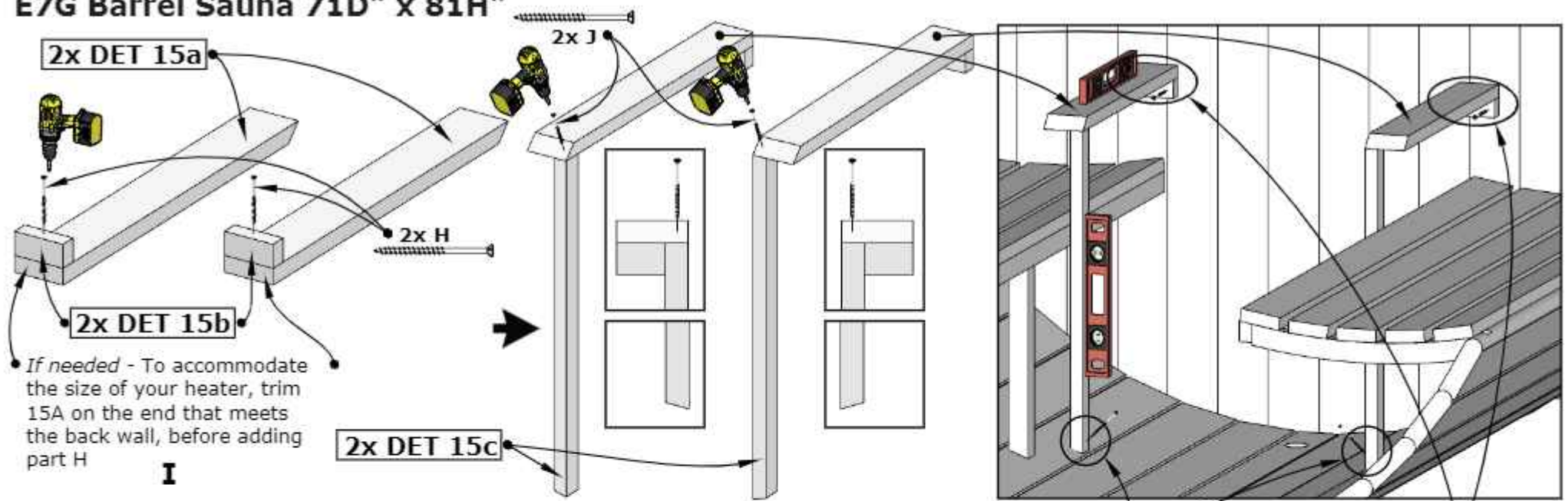


III

E7G Barrel Sauna 71D" x 81H"

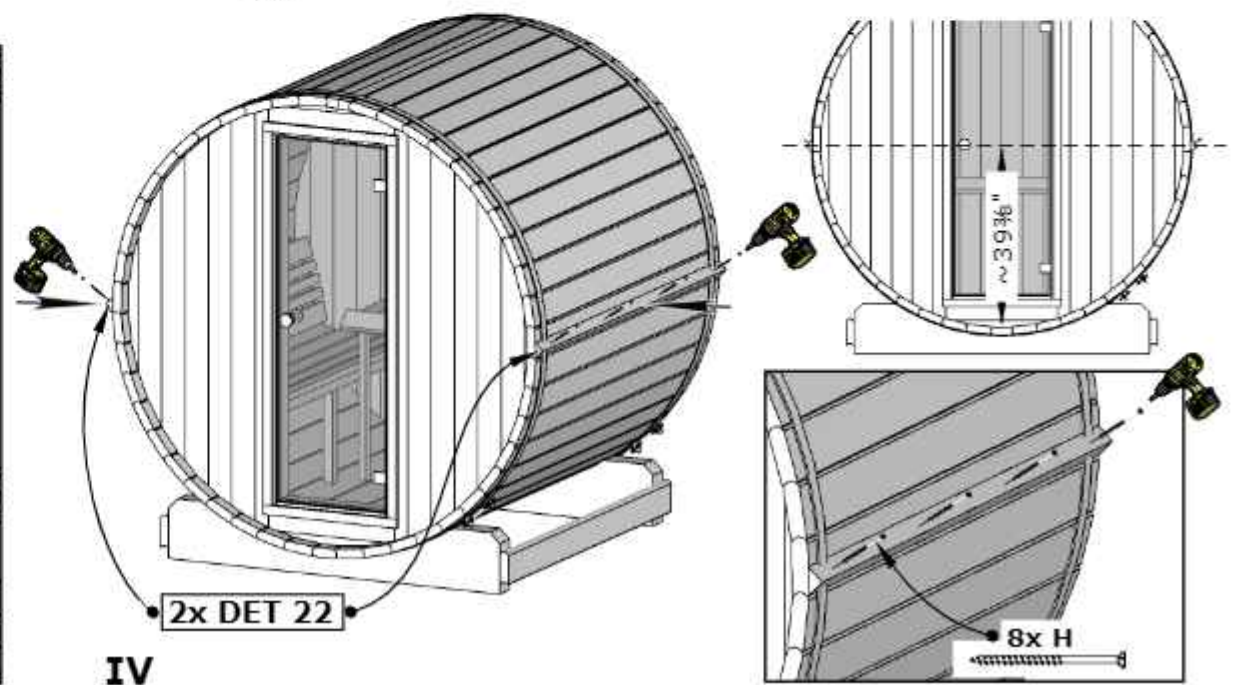
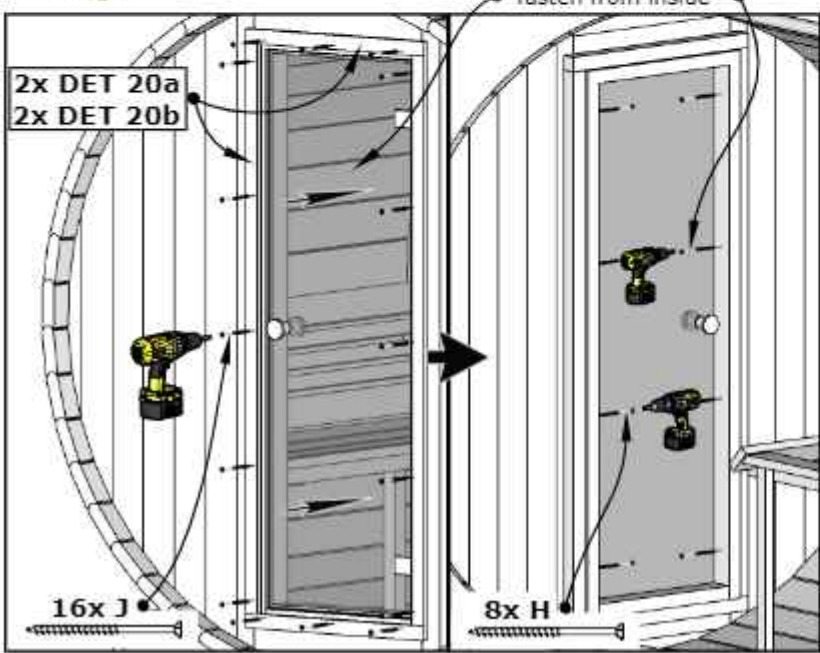
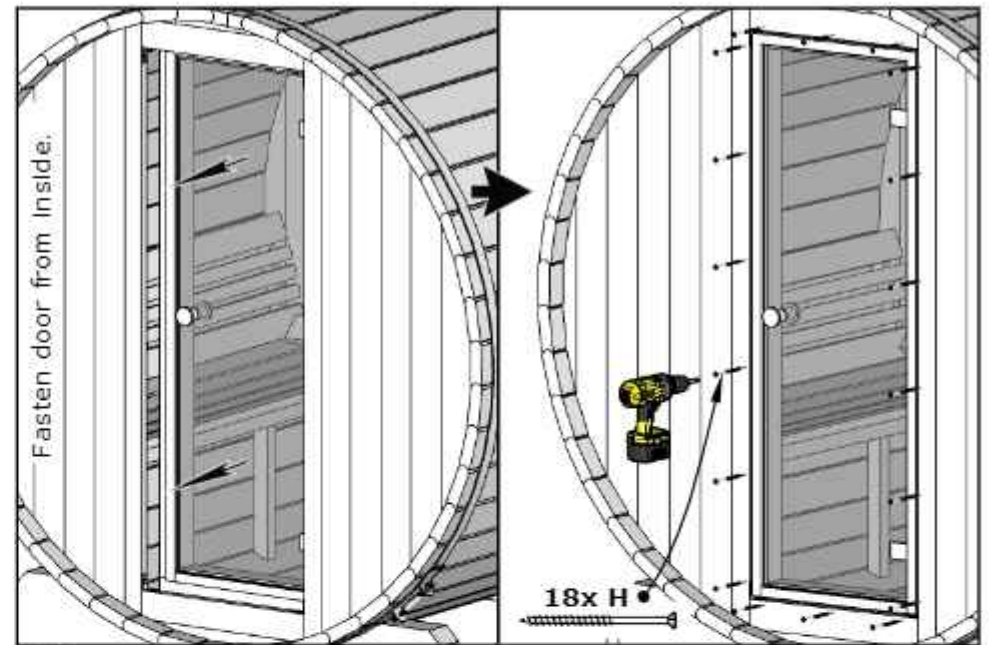
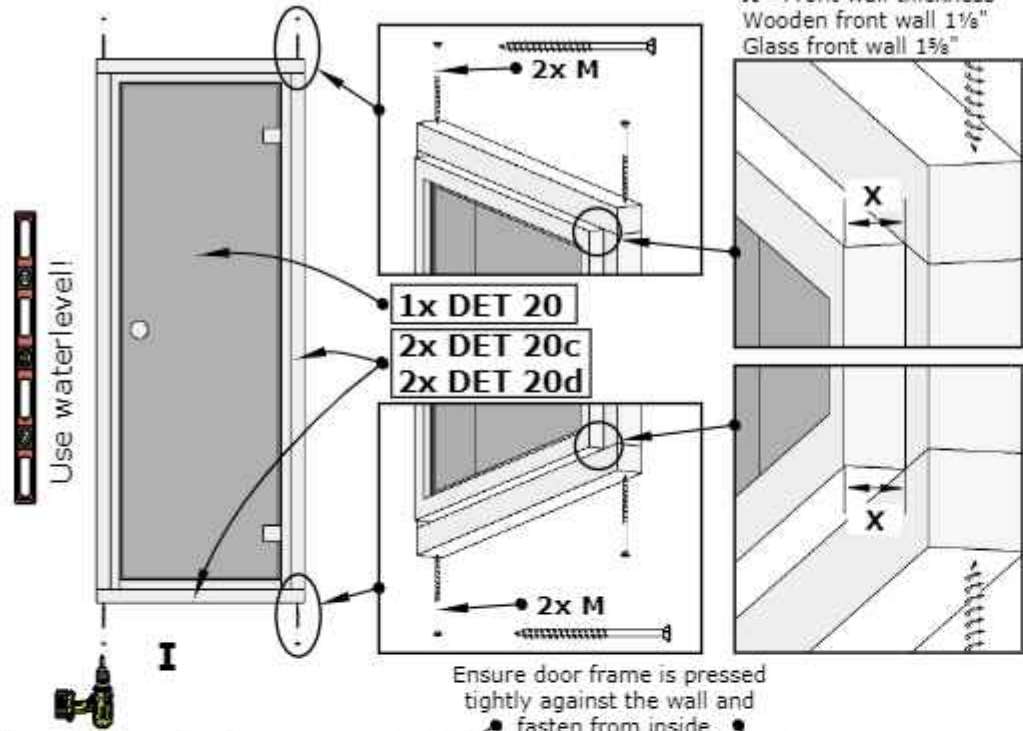


E7G Barrel Sauna 71D" x 81H"



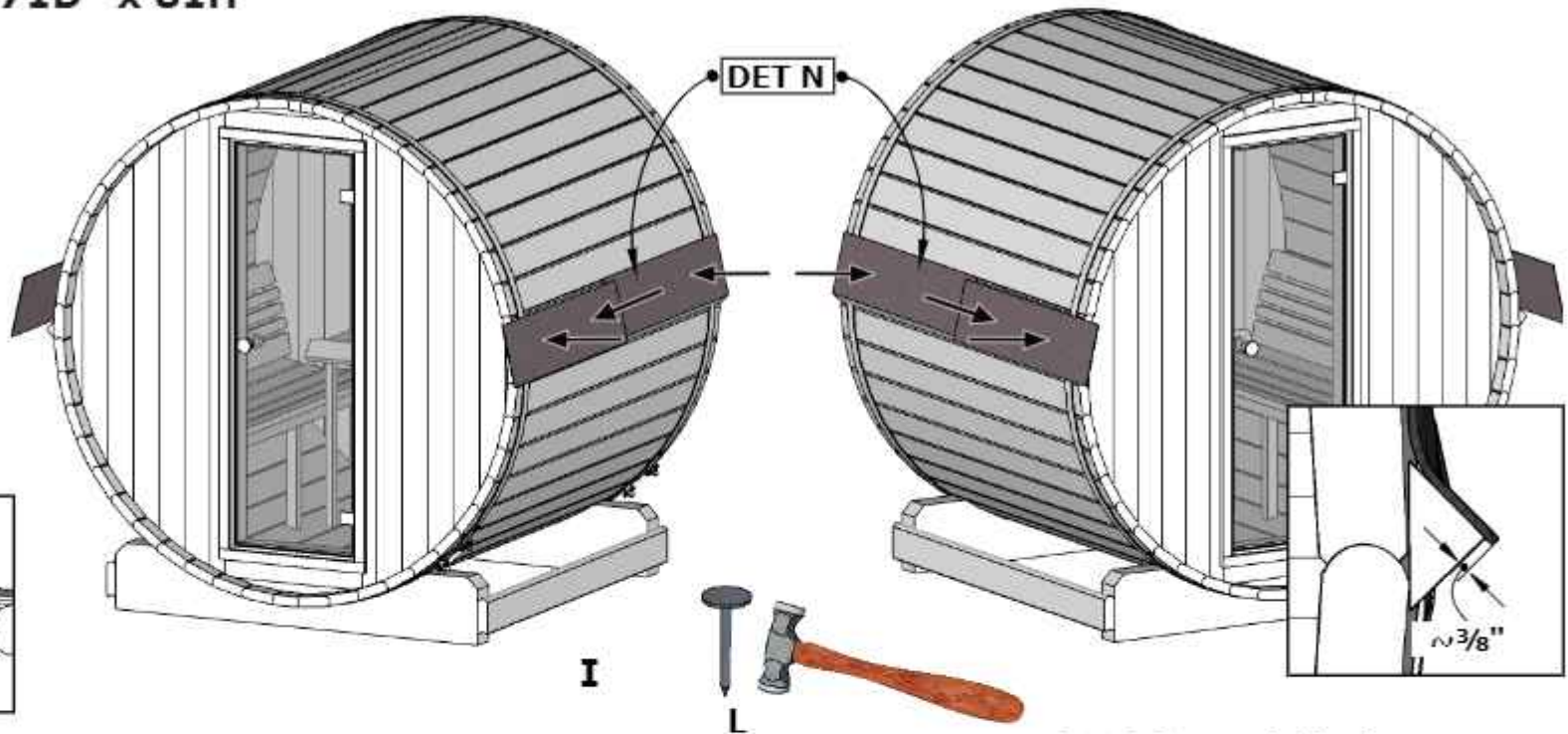
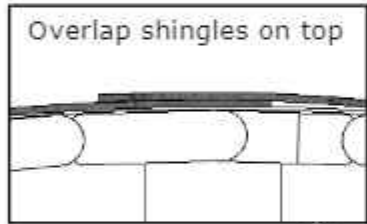
E7G Barrel Sauna 71D" x 81H"

X= Front wall thickness
 Wooden front wall 1 1/8"
 Glass front wall 1 1/8"

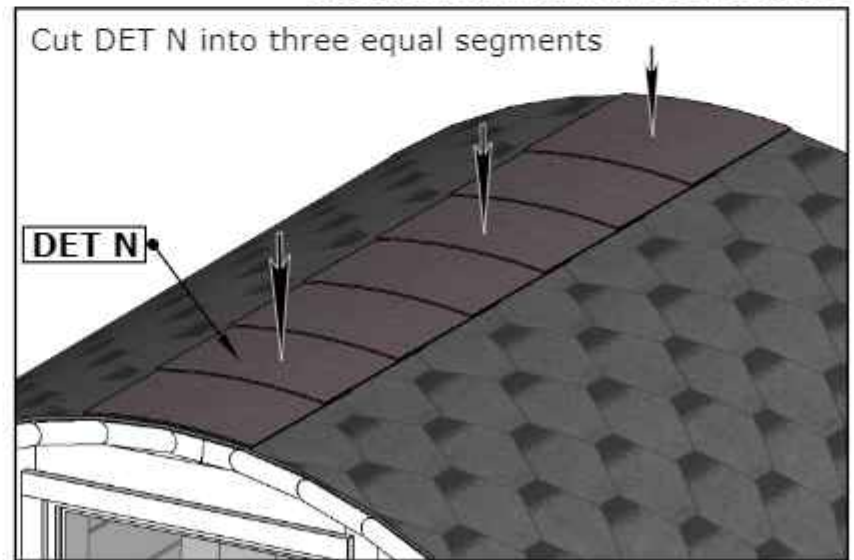
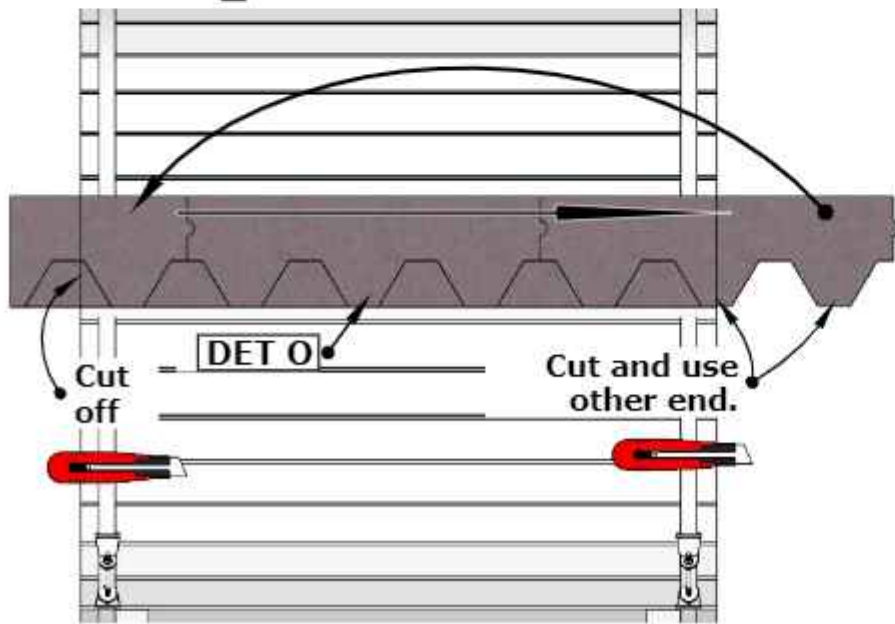


E7G Barrel Sauna 71D" x 81H"

See the installation manual inside the shingles package



Check also roof shingles installation manual inside package.



E7G Barrel Sauna 71D" x 81H"

