



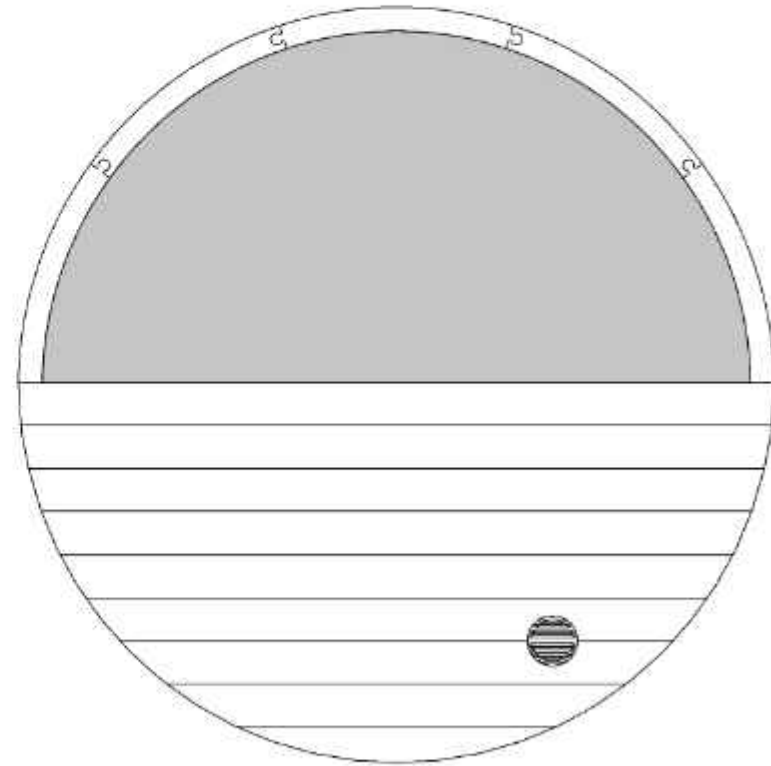
Ergo-Series E6W Barrel Sauna
Half Glass Window 59D" x 81H"



Note: Please read manual before construction

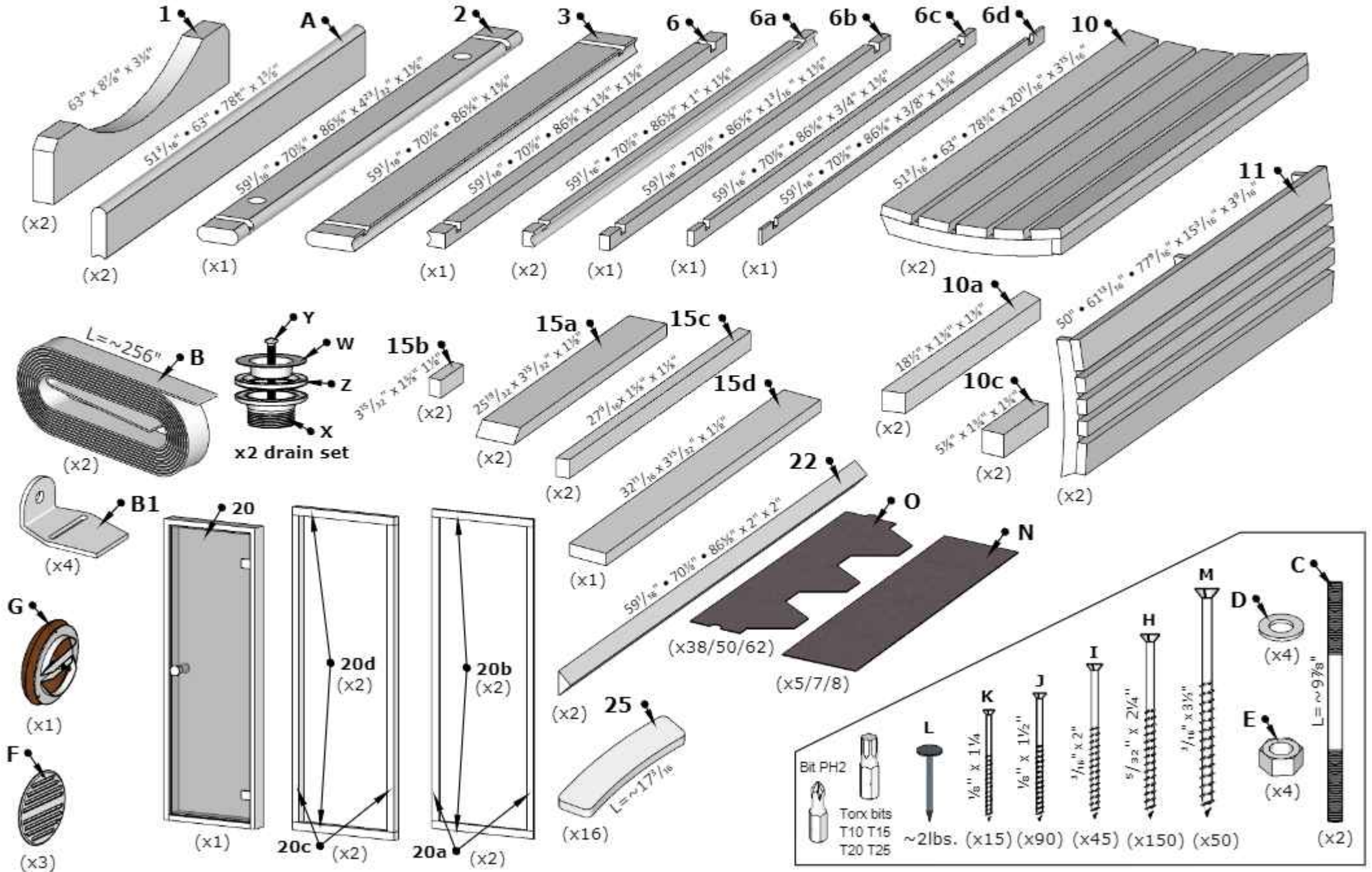
Rev 4/2023

Front & Back Walls



E6W Barrel Sauna 59D" x 81H"

Details list.



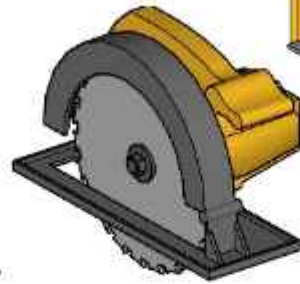
Tools needed



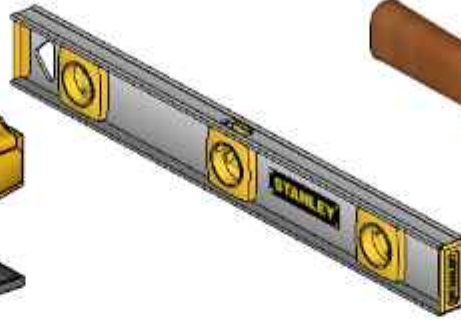
Measuring tape



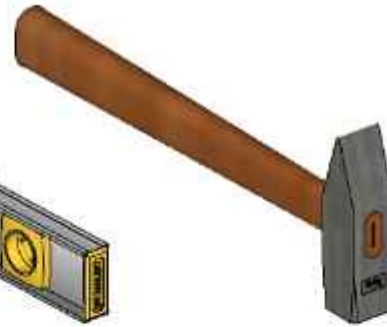
Marker pen



Circular saw



Water level



Hammer



Extra hands



Ratchet strap



Silicone gun
(Only glass-wall models)



Drill



Crescent wrench

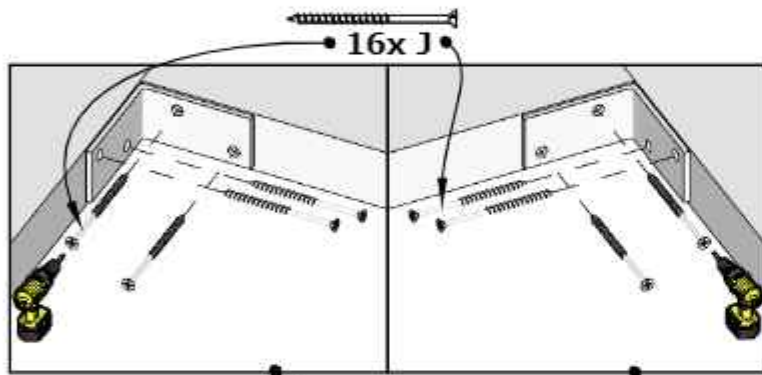
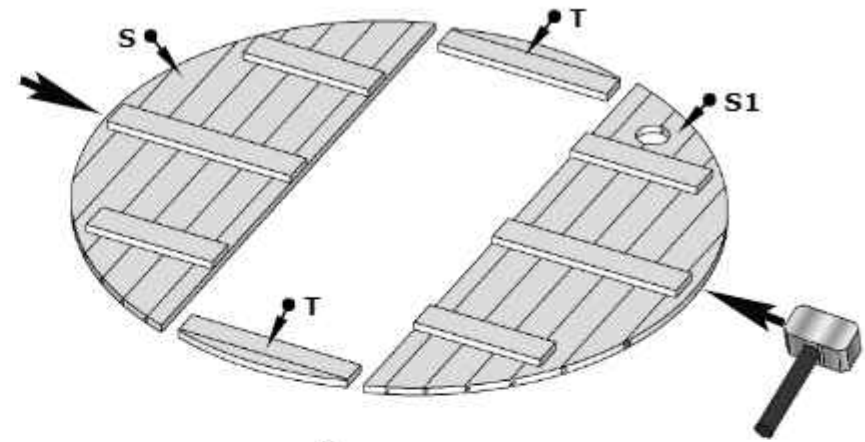
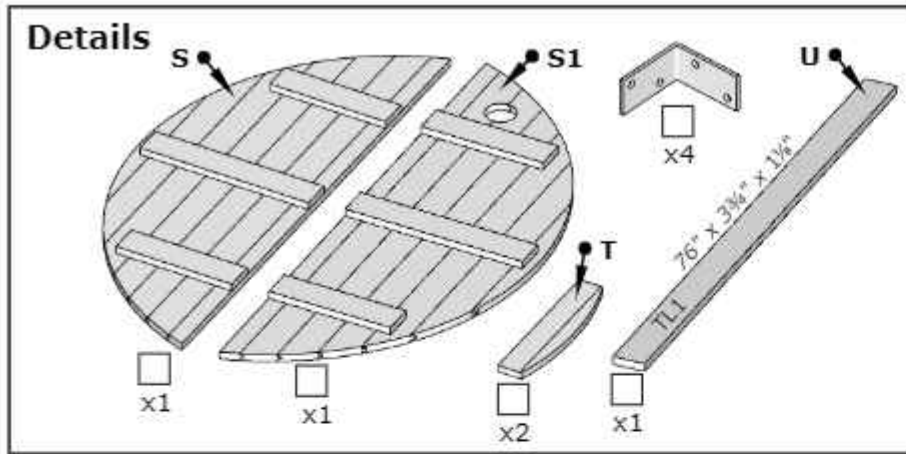


Utility knife

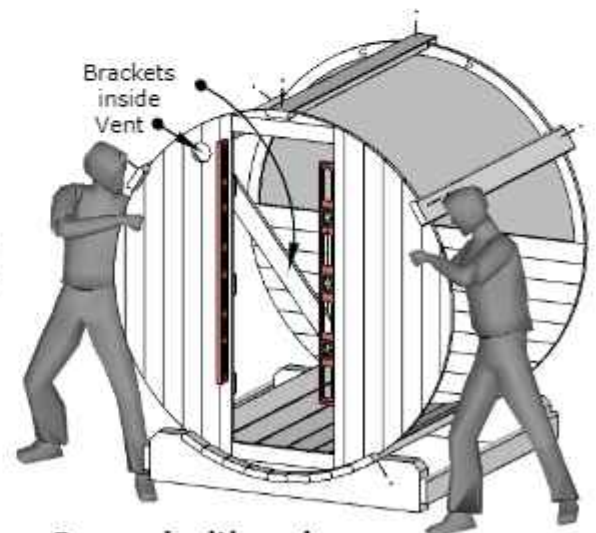
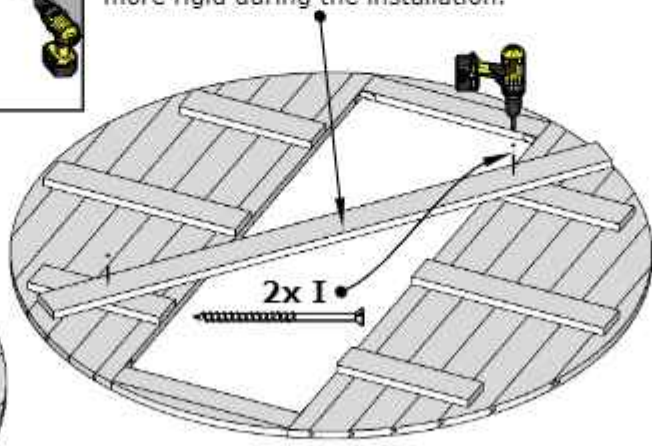
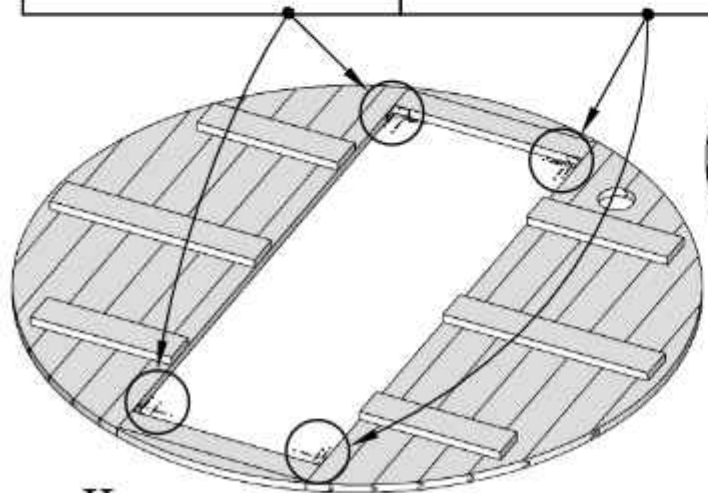


Rubber mallet

Wooden front wall installation

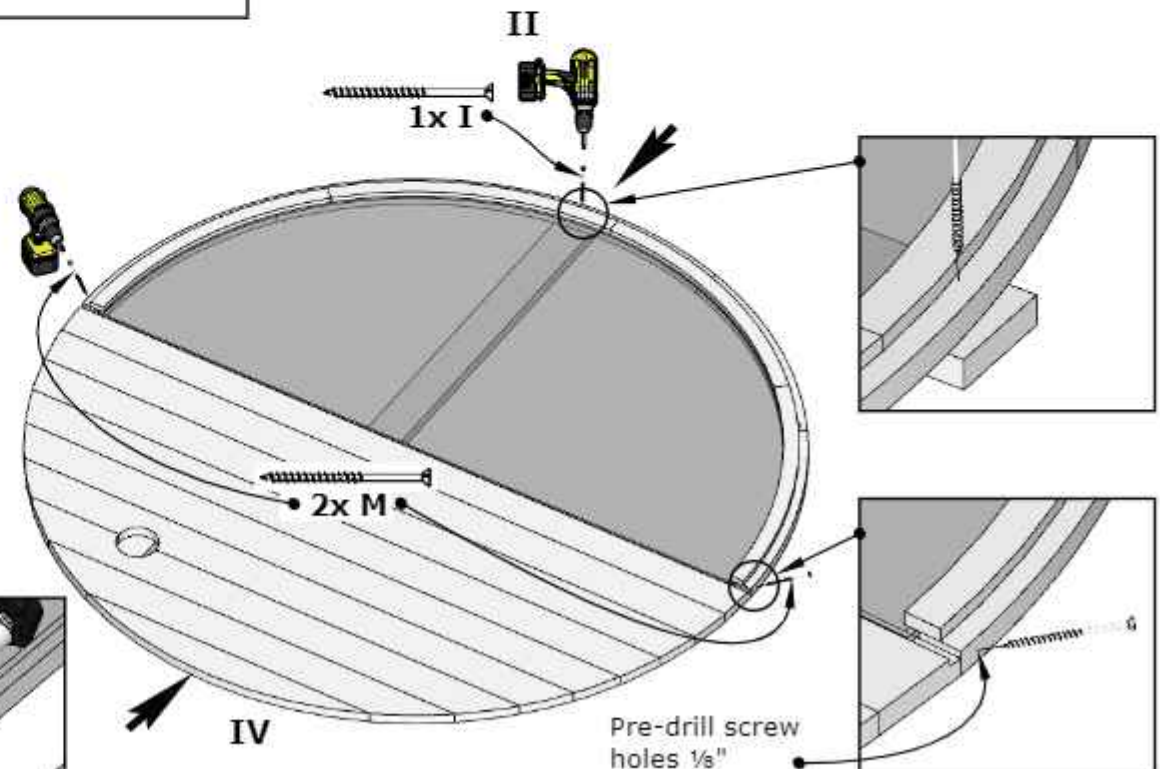
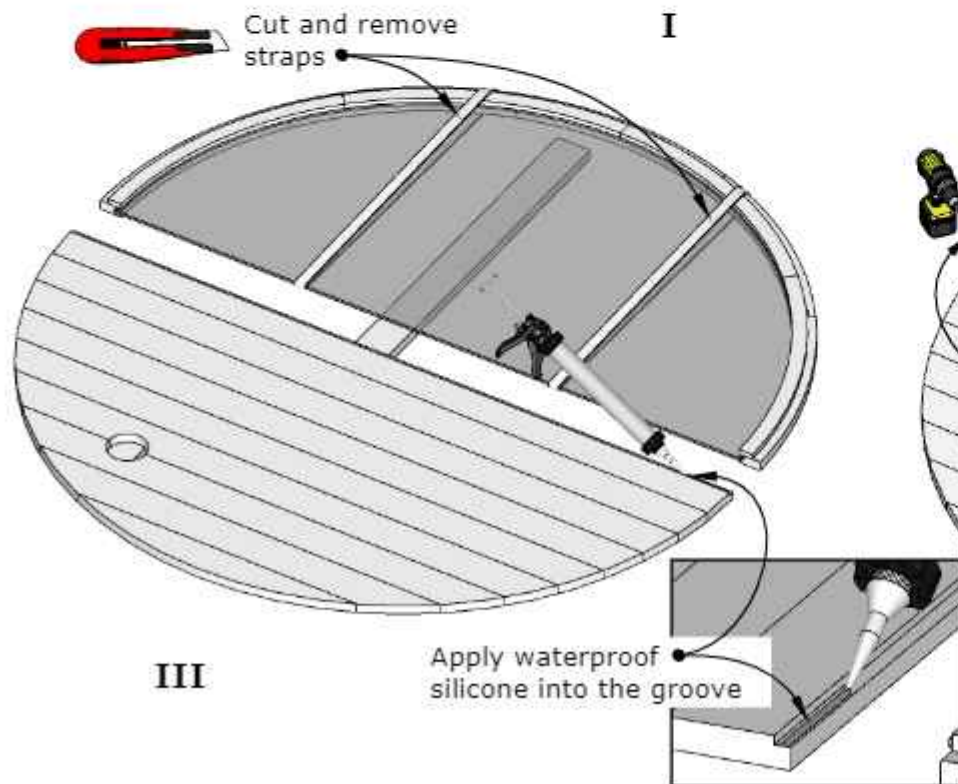
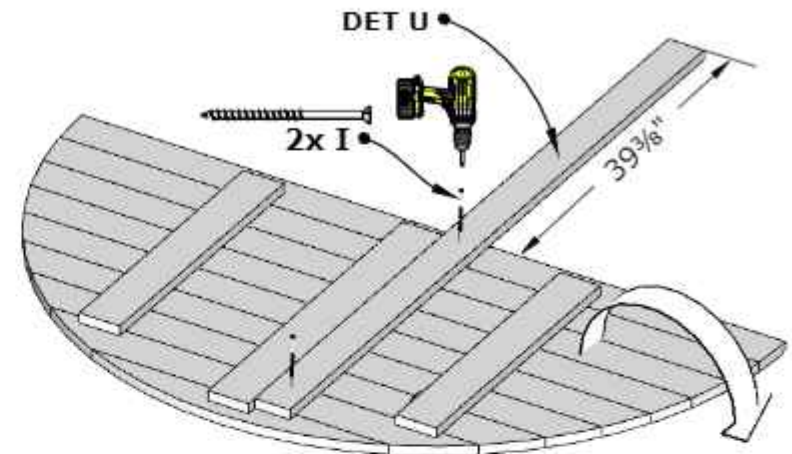
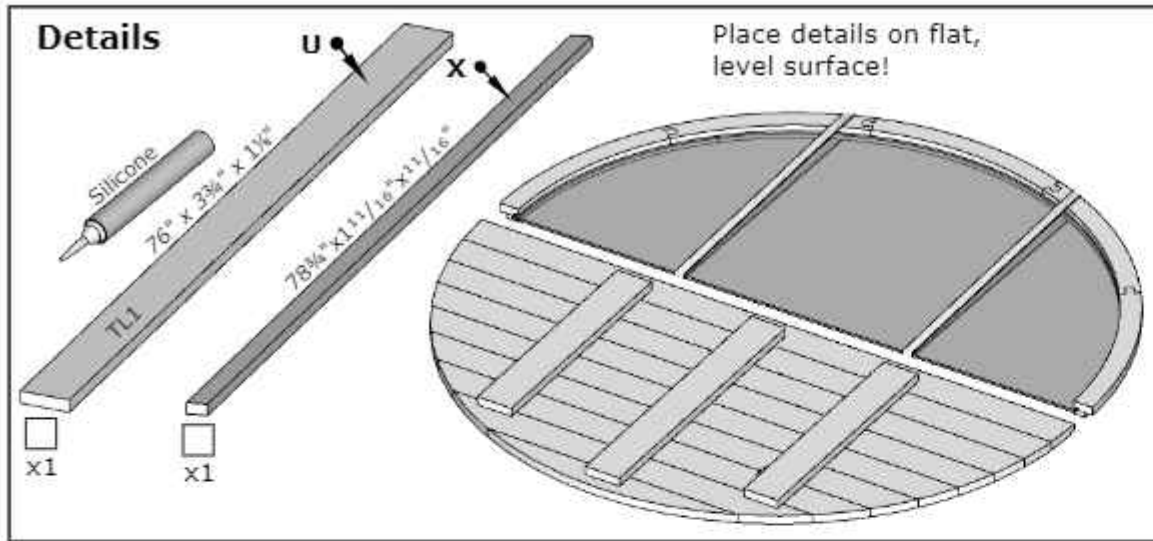


DET U Fix it diagonally to make wall more rigid during the installation.



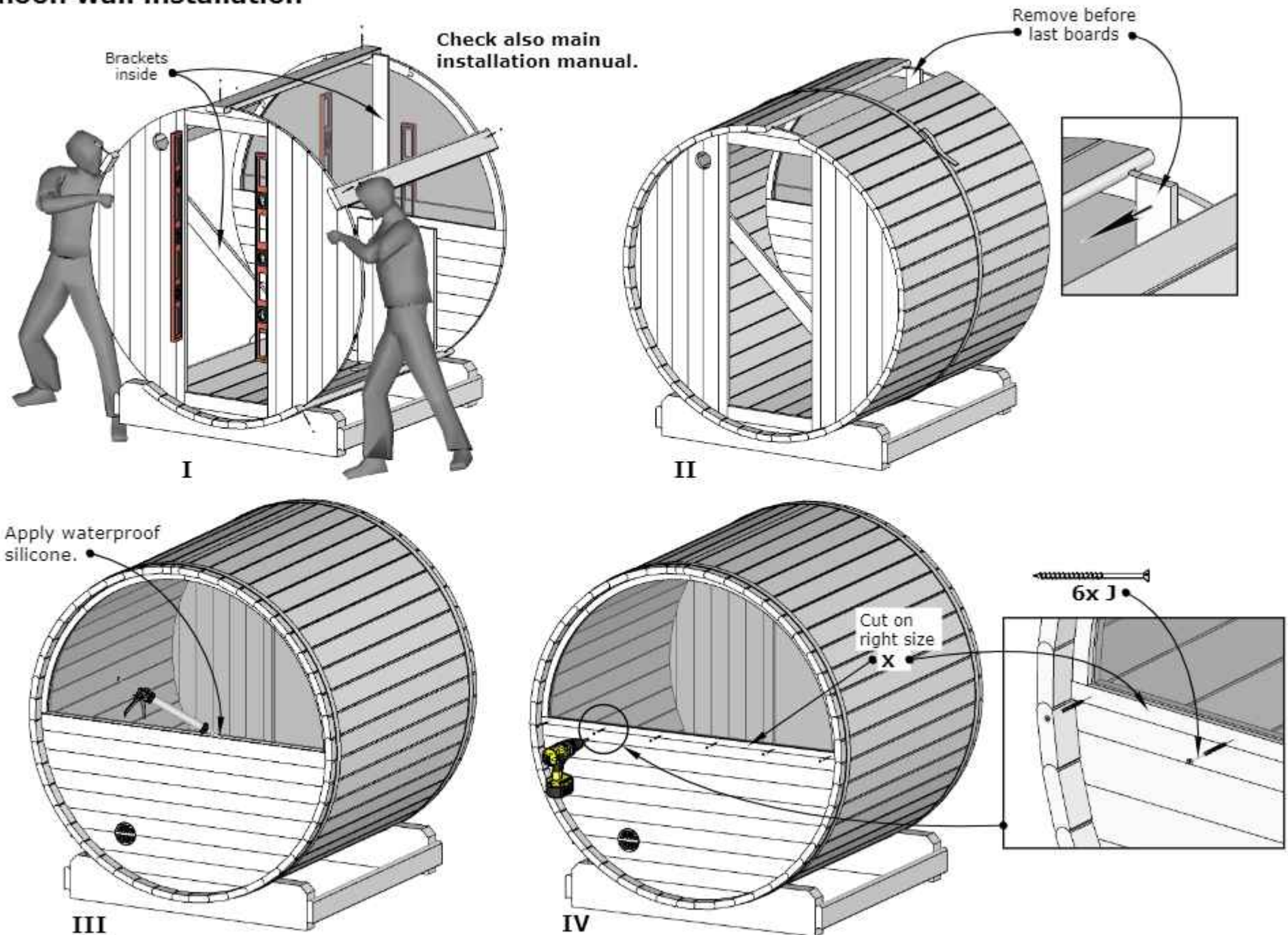
Proceed with main installation manual!

Half-moon wall installation

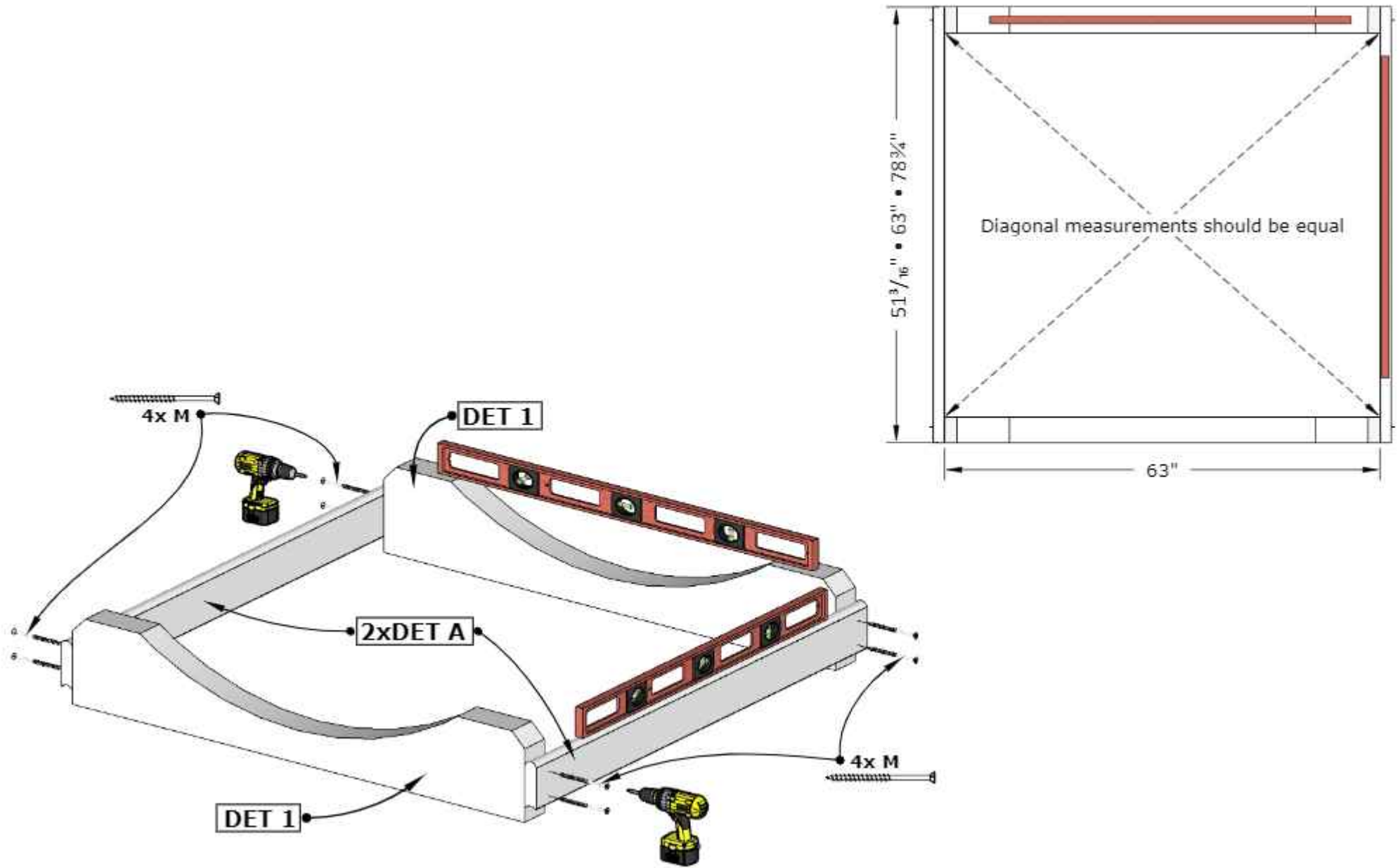


WARNING: Do not let screws touch glass!

Half-moon wall installation

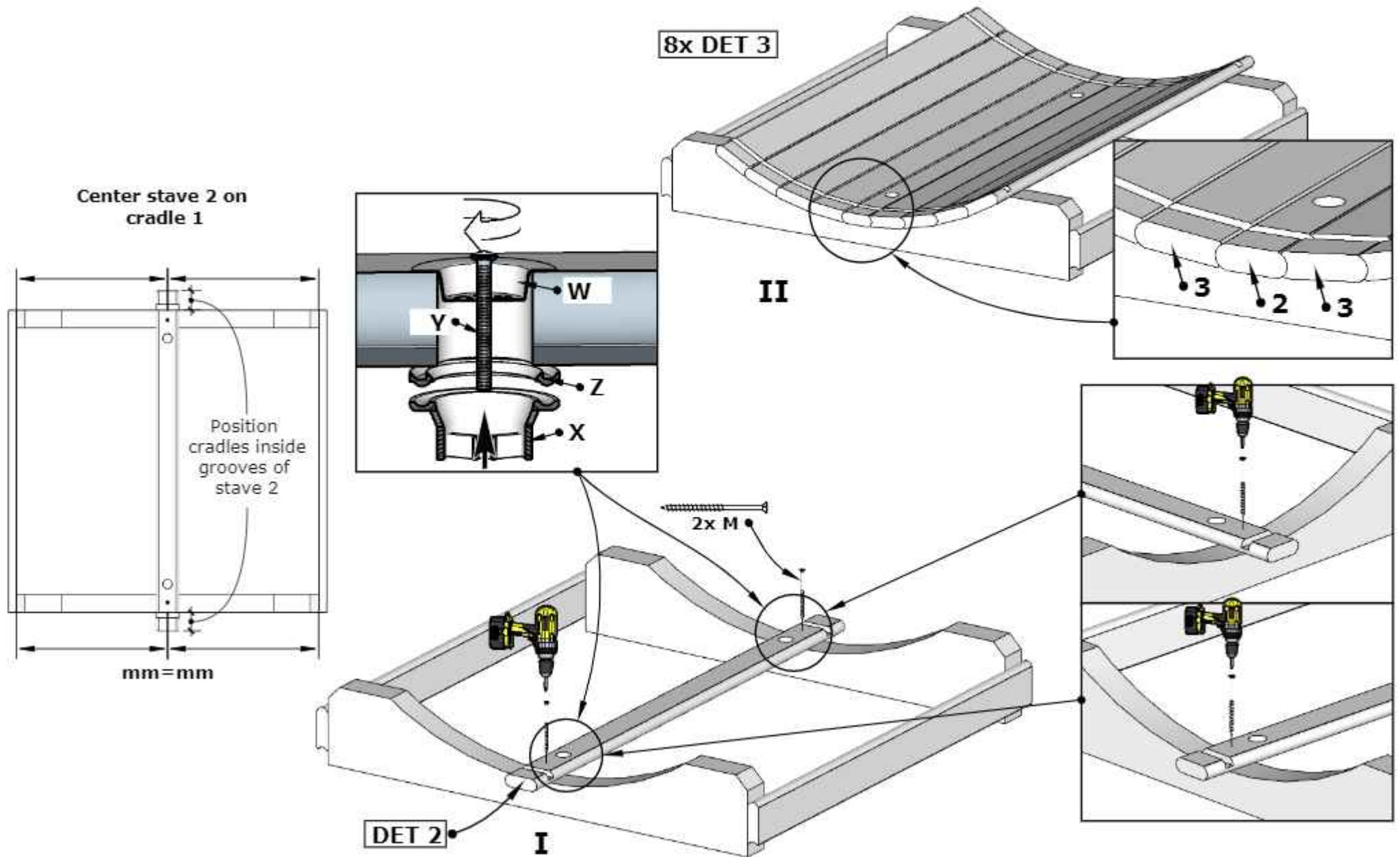


E6W Barrel Sauna 59D" x 81H"

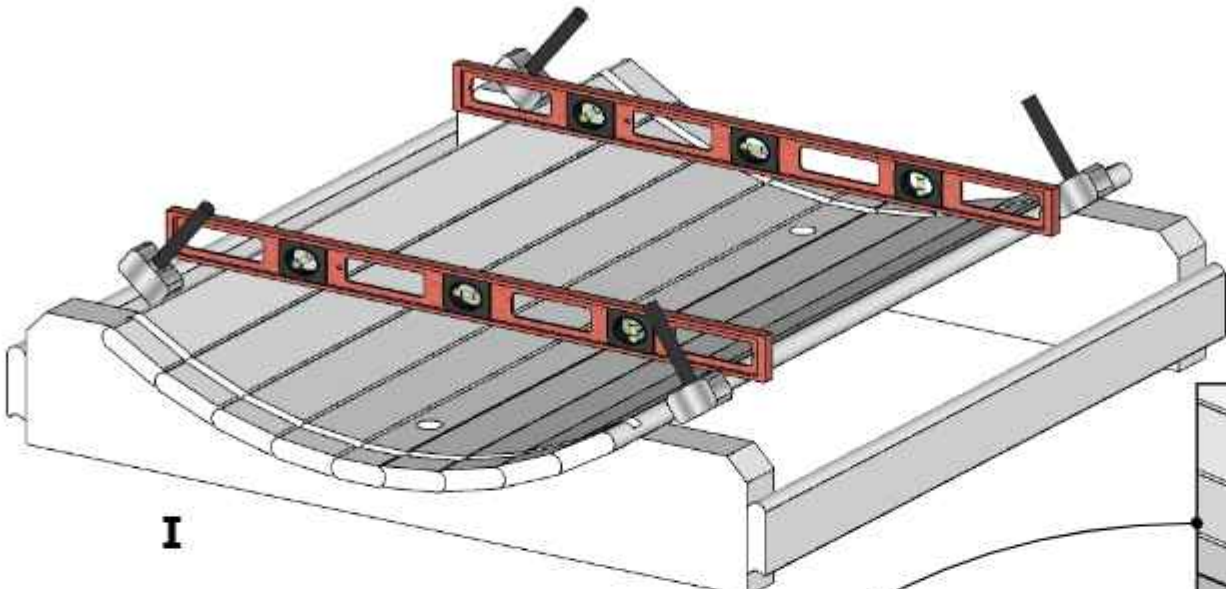


1.

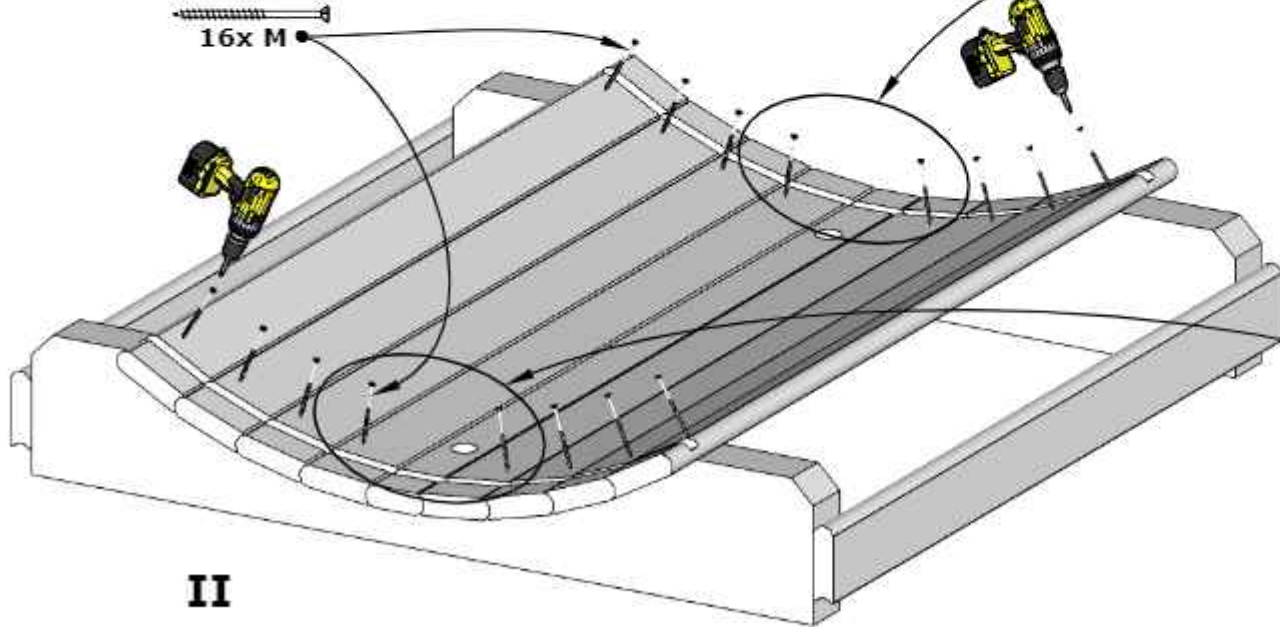
E6W Barrel Sauna 59D" x 81H"



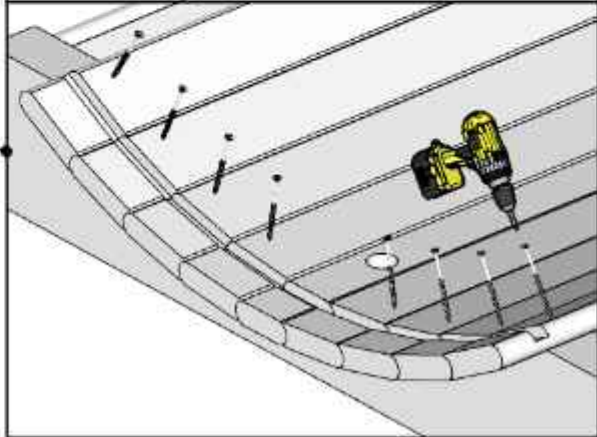
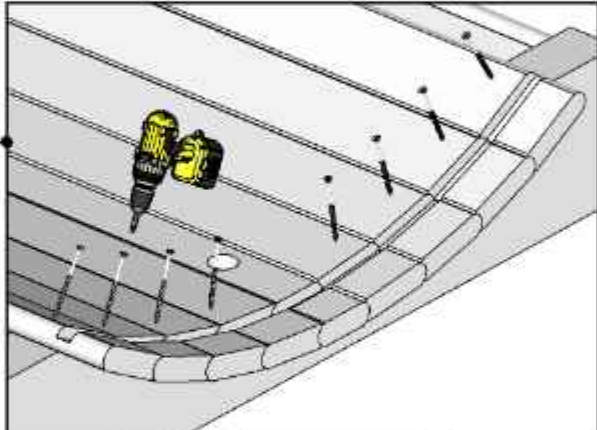
E6W Barrel Sauna 59D" x 81H"



I

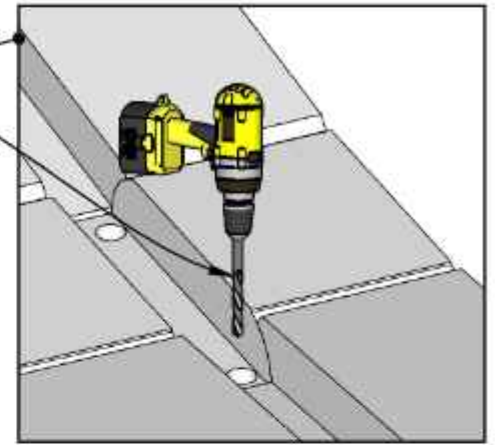
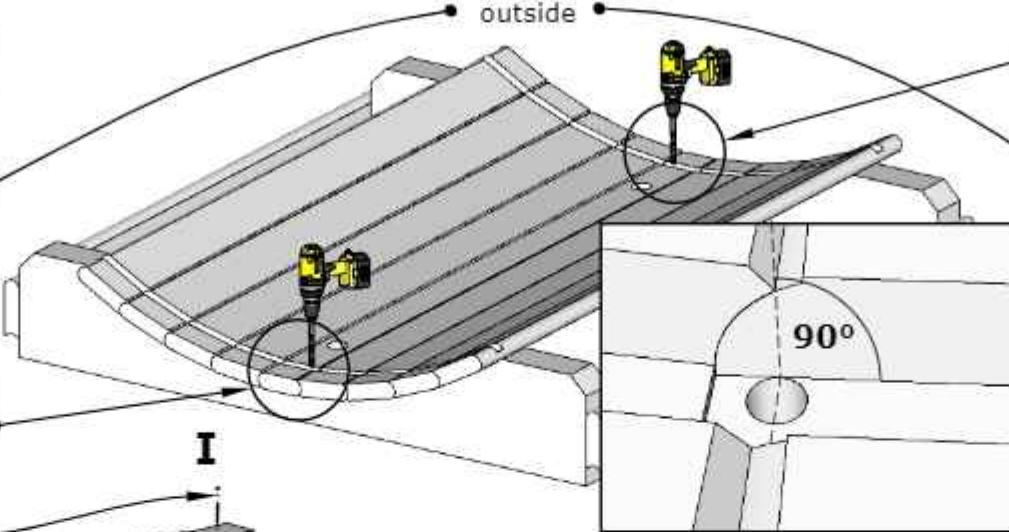
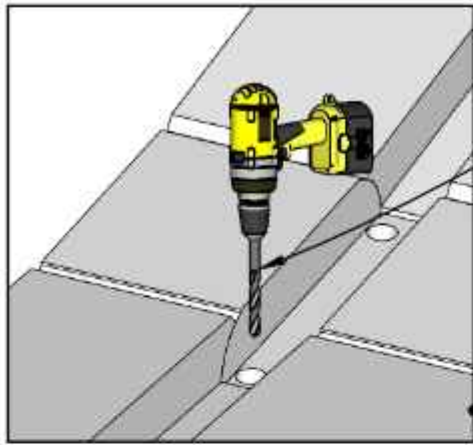


II



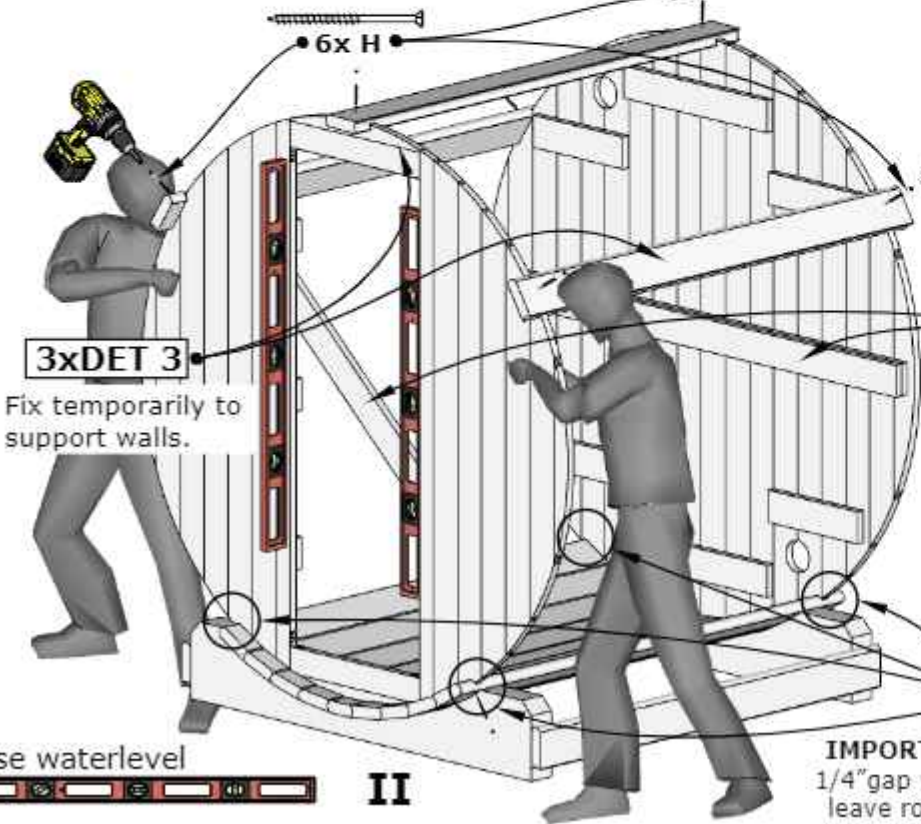
E6W Barrel Sauna 59D" x 81H"

Drill 4 holes $\varnothing 1/2"$ through DET 2 outside



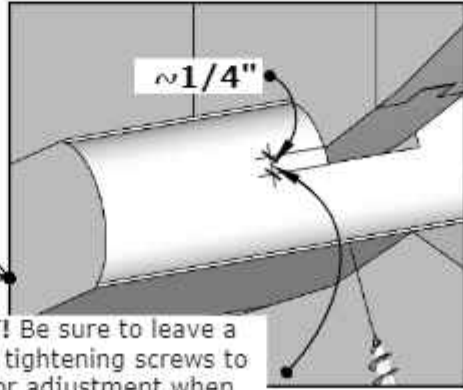
Check walls installation manual on extra pages!

Sauna wall configuration depends on Your model!

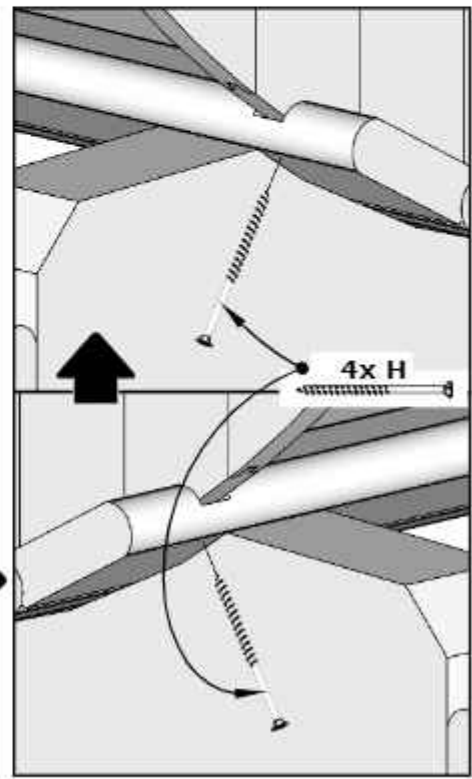


3xDET 3
Fix temporarily to support walls.

Brackets inside

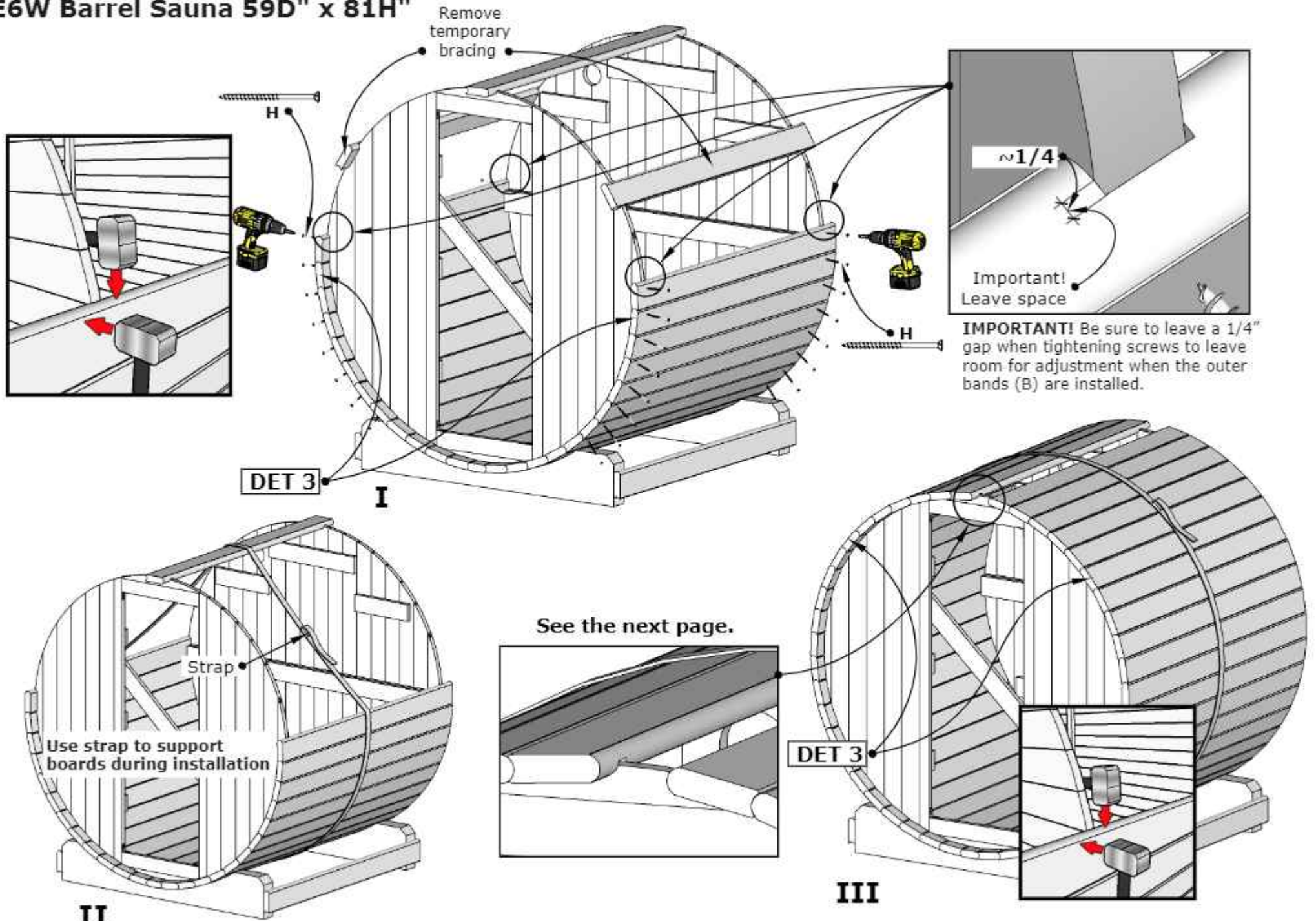


IMPORTANT! Be sure to leave a 1/4" gap when tightening screws to leave room for adjustment when the outer bands (B) are installed.

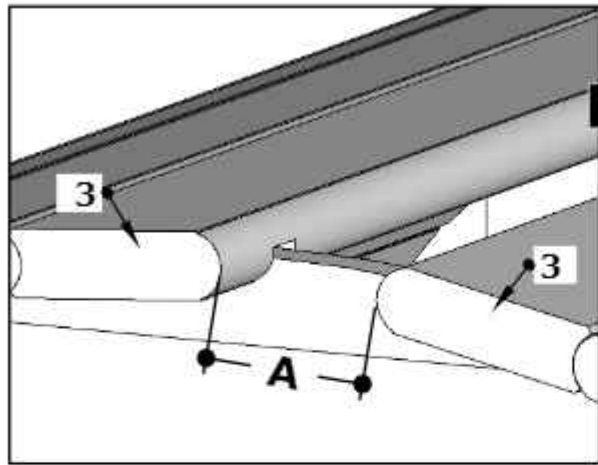


II

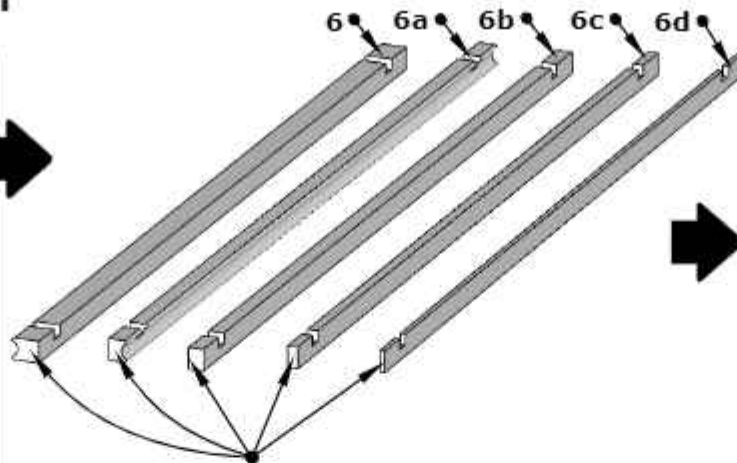
E6W Barrel Sauna 59D" x 81H"



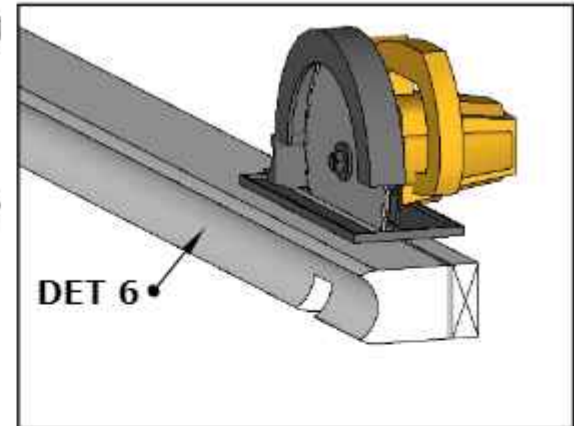
E6W Barrel Sauna 59D" x 81H"



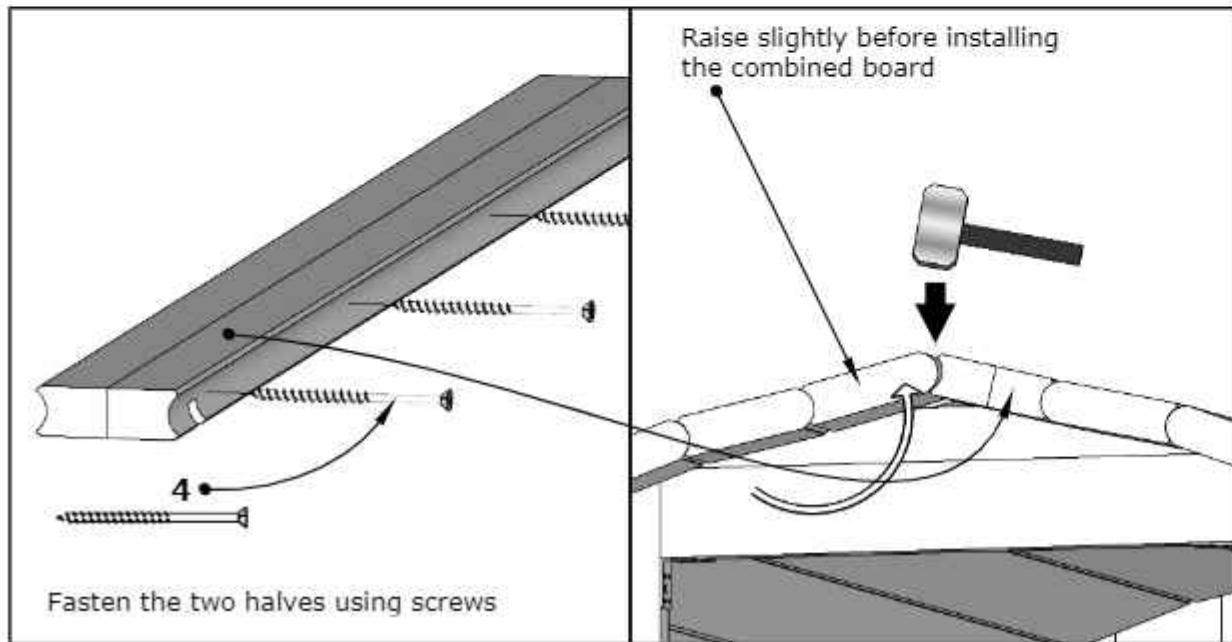
I



Join two boards together (as shown in diagram II) that will bridge the width of the "A" gap. It is recommended that the combined boards are approximately 1/4" wider than the gap.



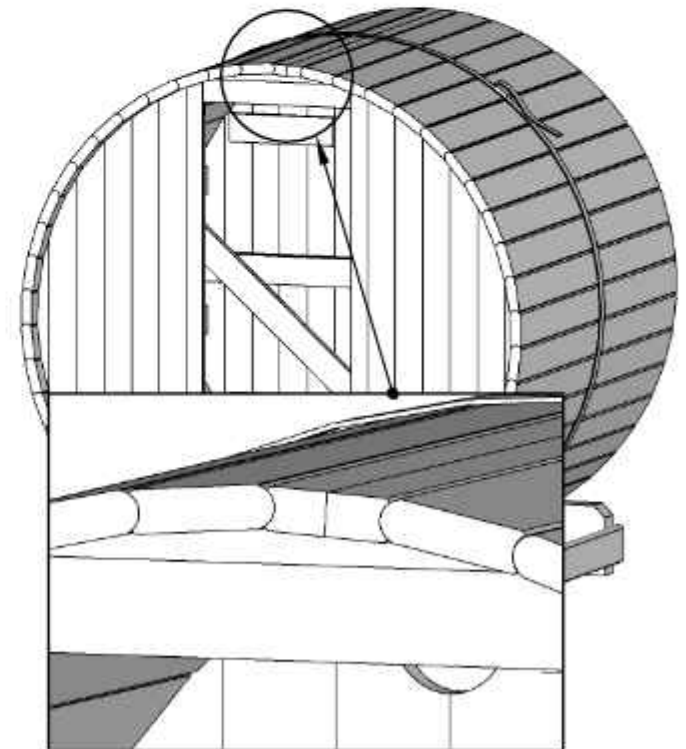
If needed, trim the flat edge of the board to create the desired width.



Fasten the two halves using screws

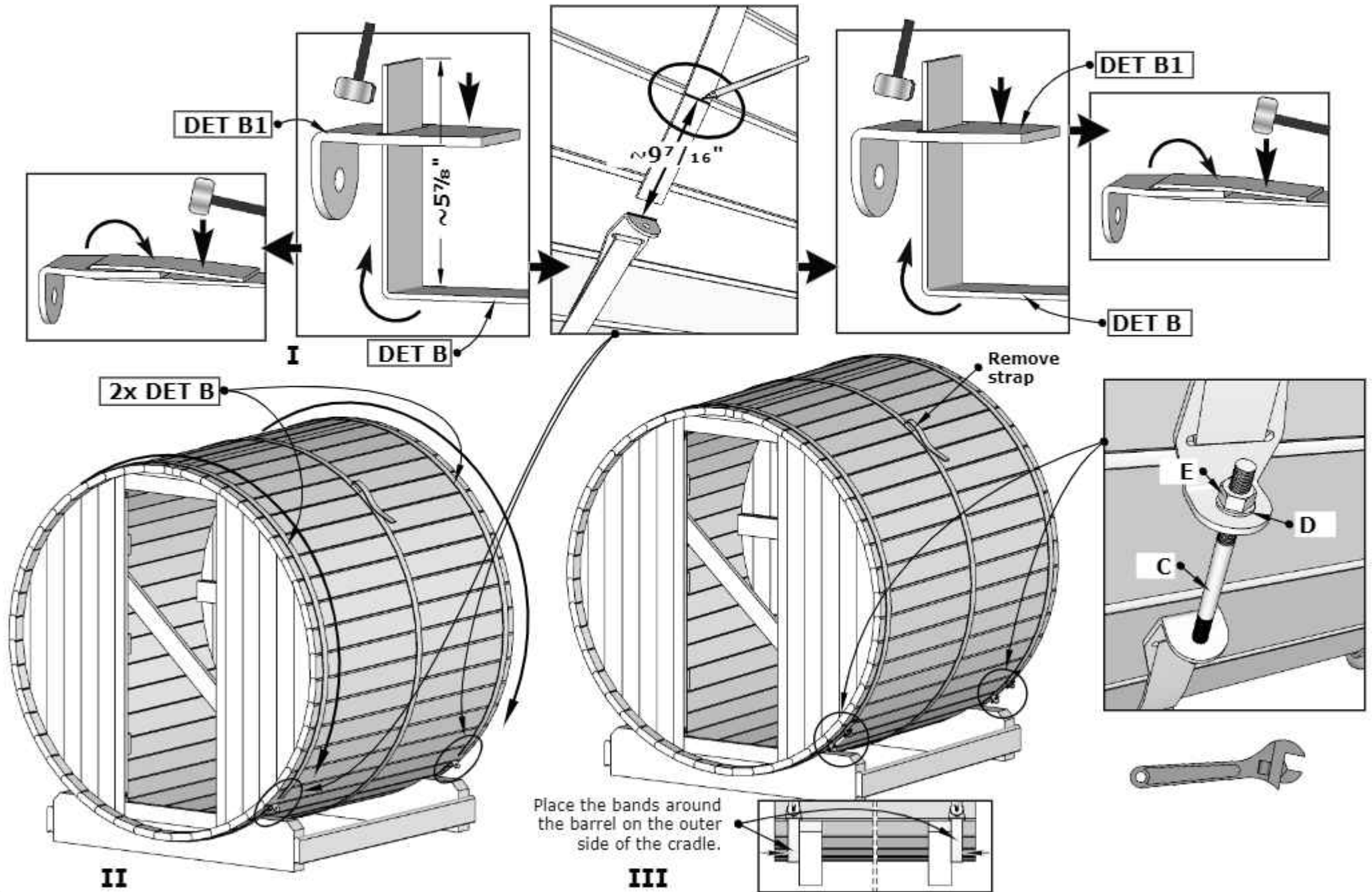
Raise slightly before installing the combined board

II



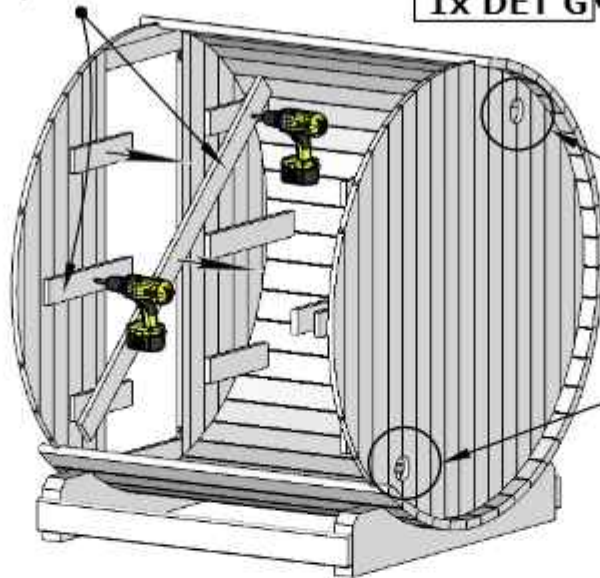
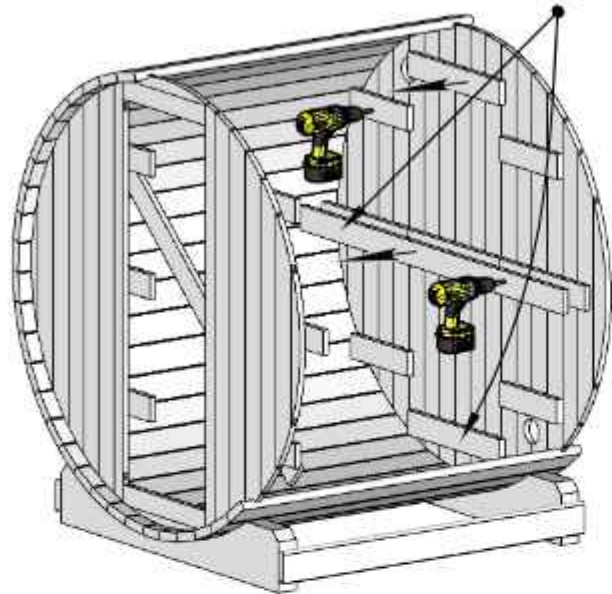
III

E6W Barrel Sauna 59D" x 81H"

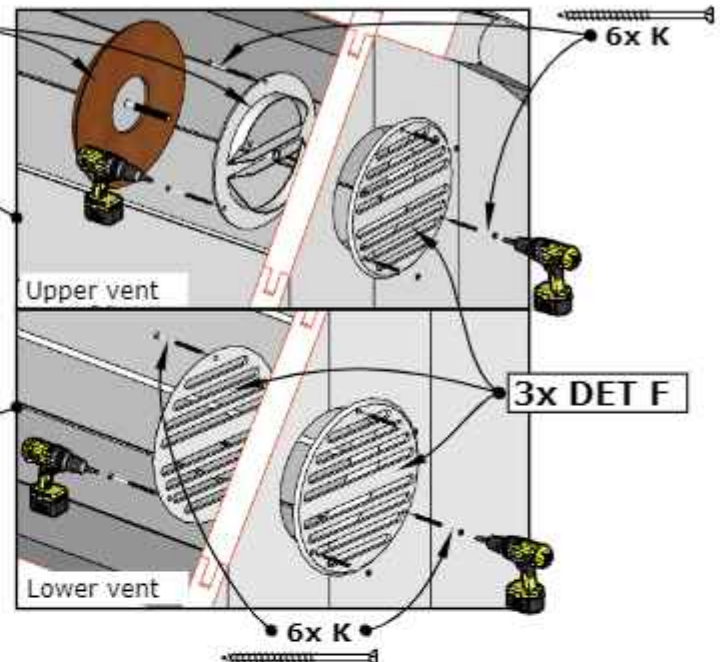


E6W Barrel Sauna 59D" x 81H"

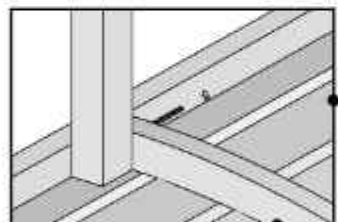
Remove all temporary braces



1x DET G

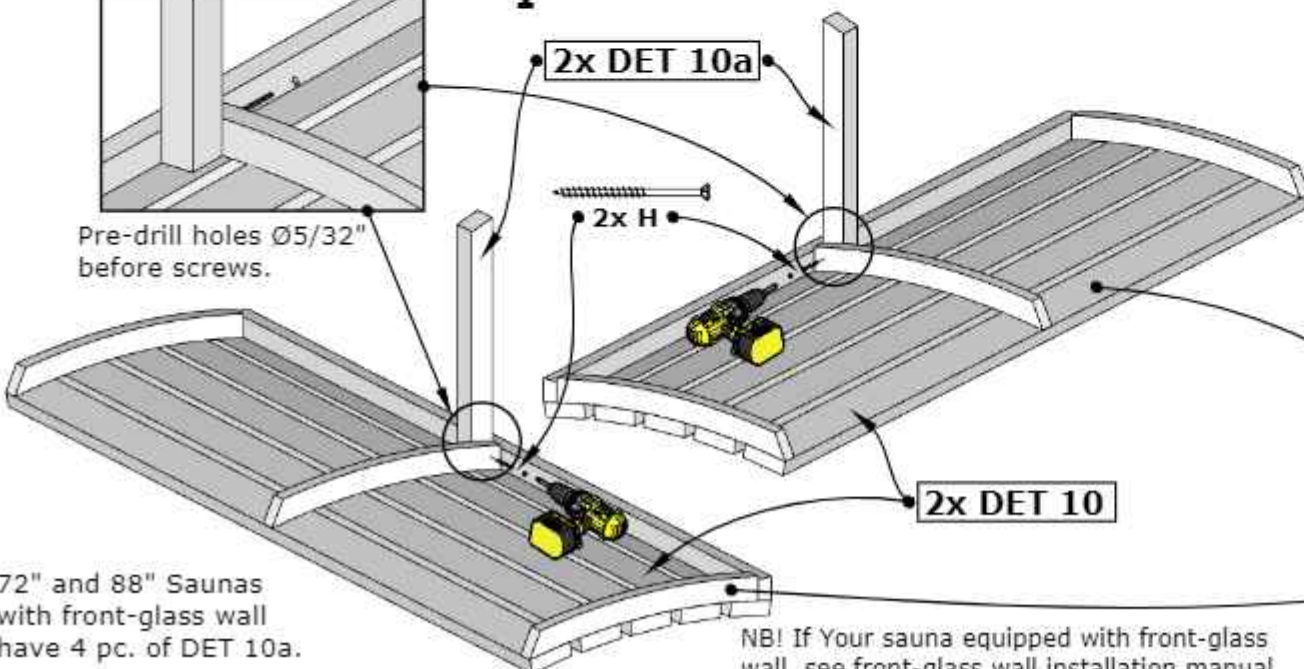


I



2x DET 10a

2x H



2x DET 10

72" and 88" Saunas with front-glass wall have 4 pc. of DET 10a.

NB! If Your sauna equipped with front-glass wall, see front-glass wall installation manual for proper benches installation.

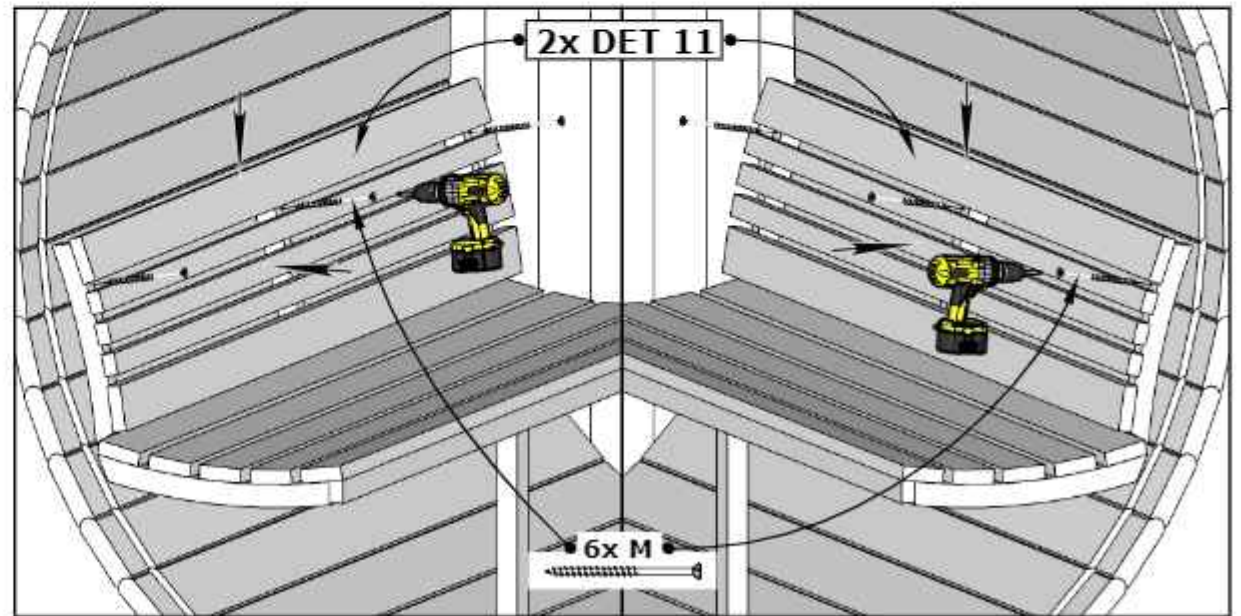
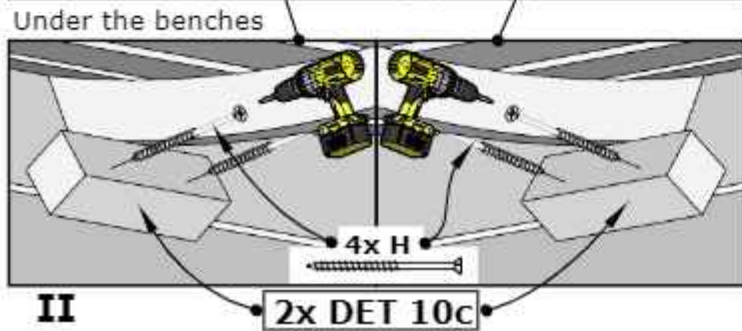
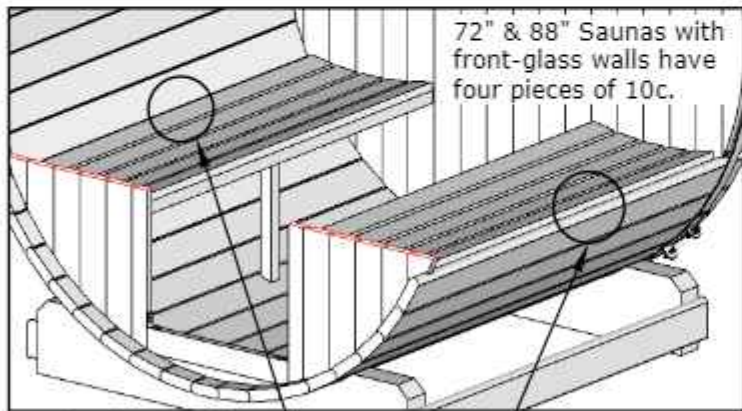
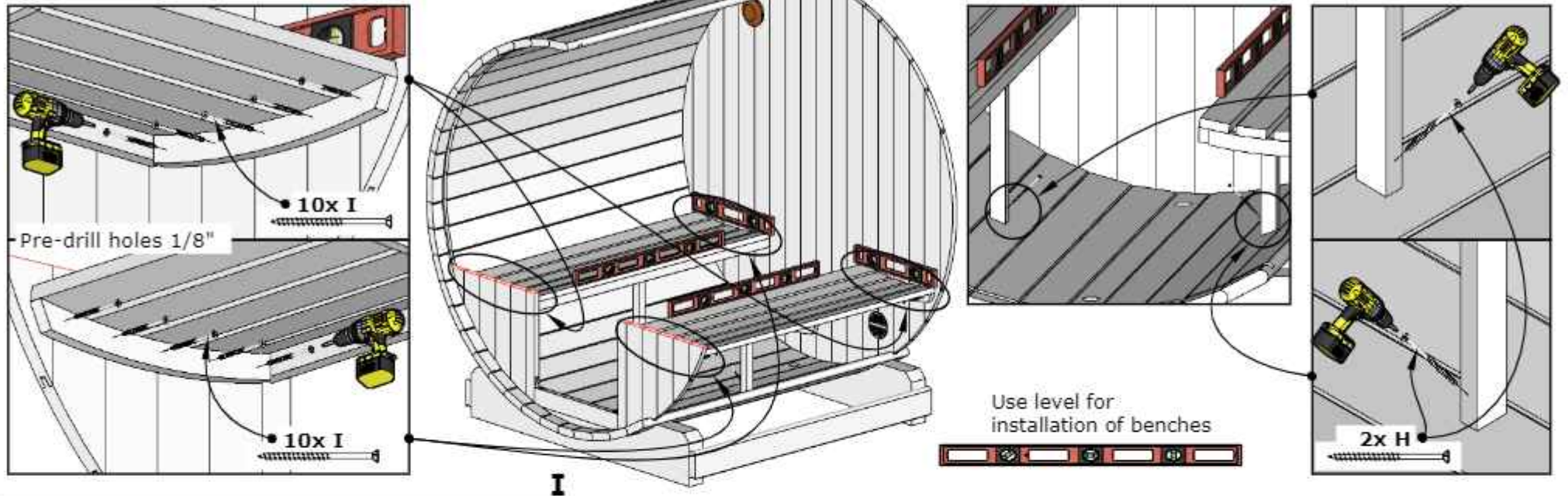


III

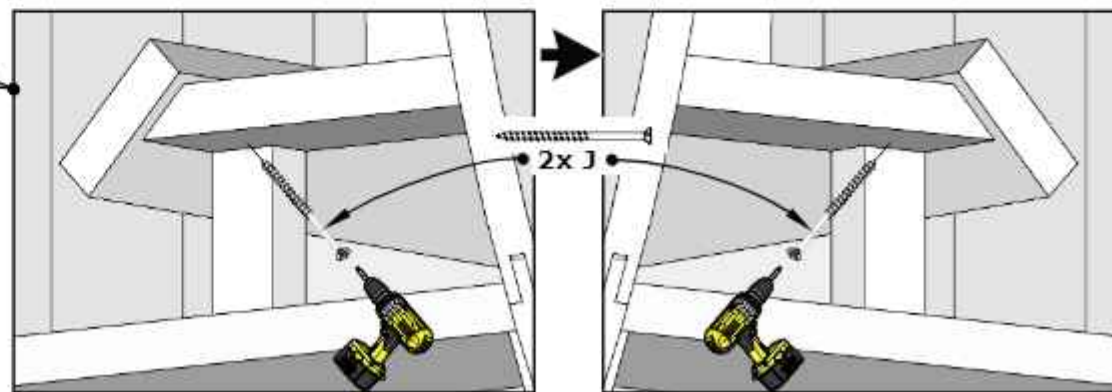
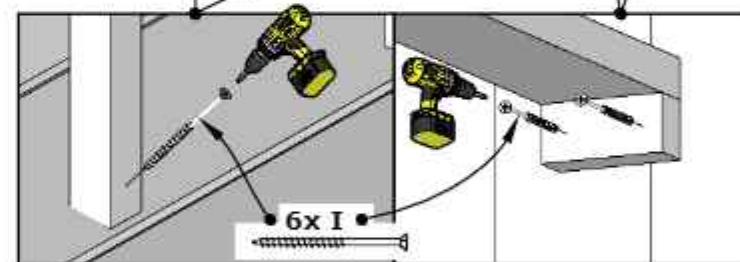
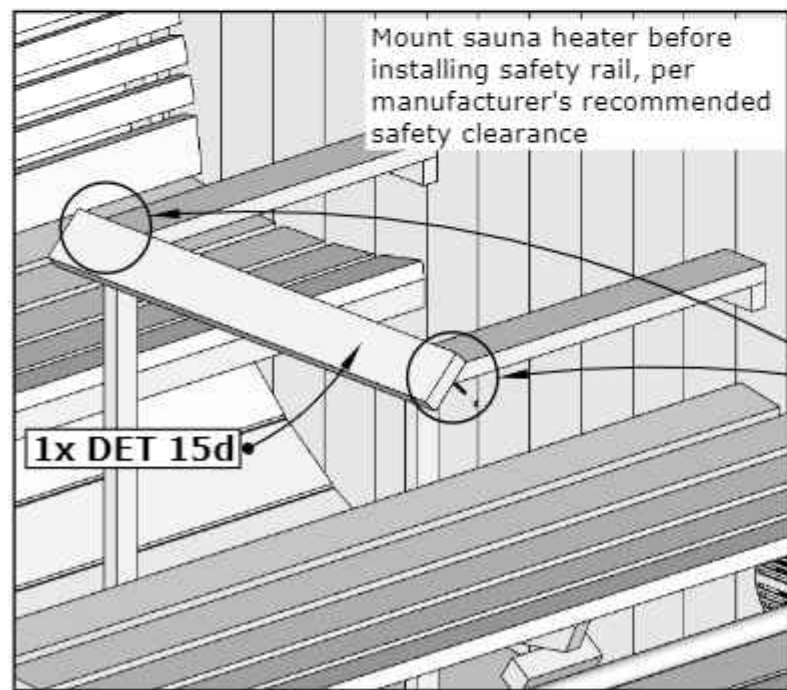
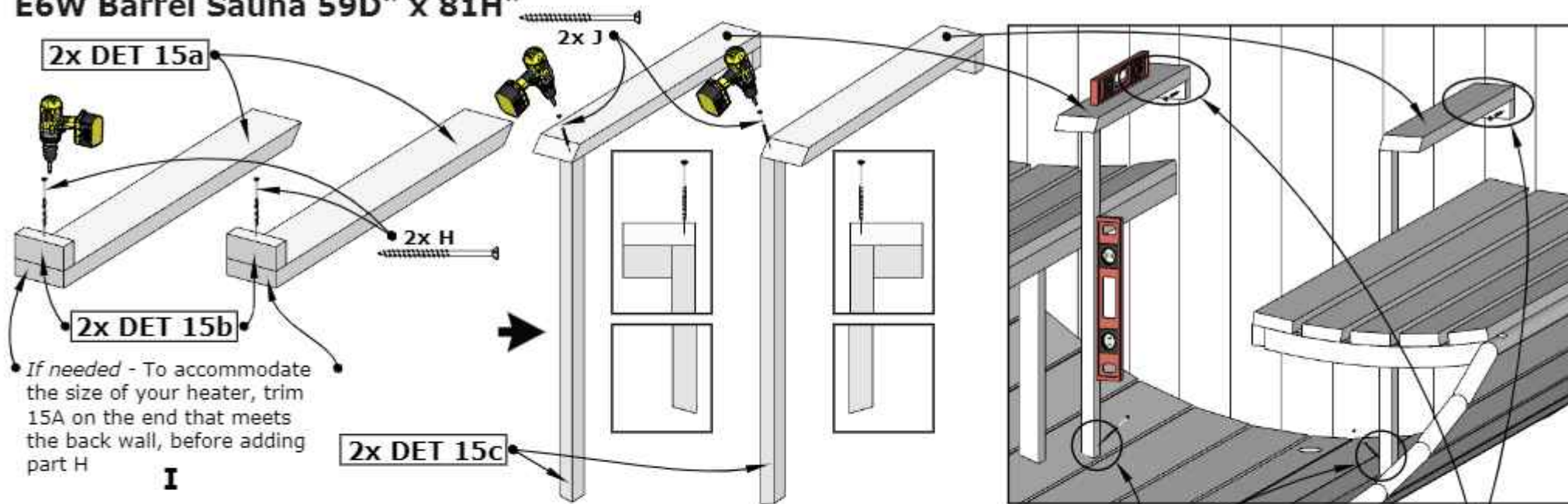
8.

II

E6W Barrel Sauna 59D" x 81H"

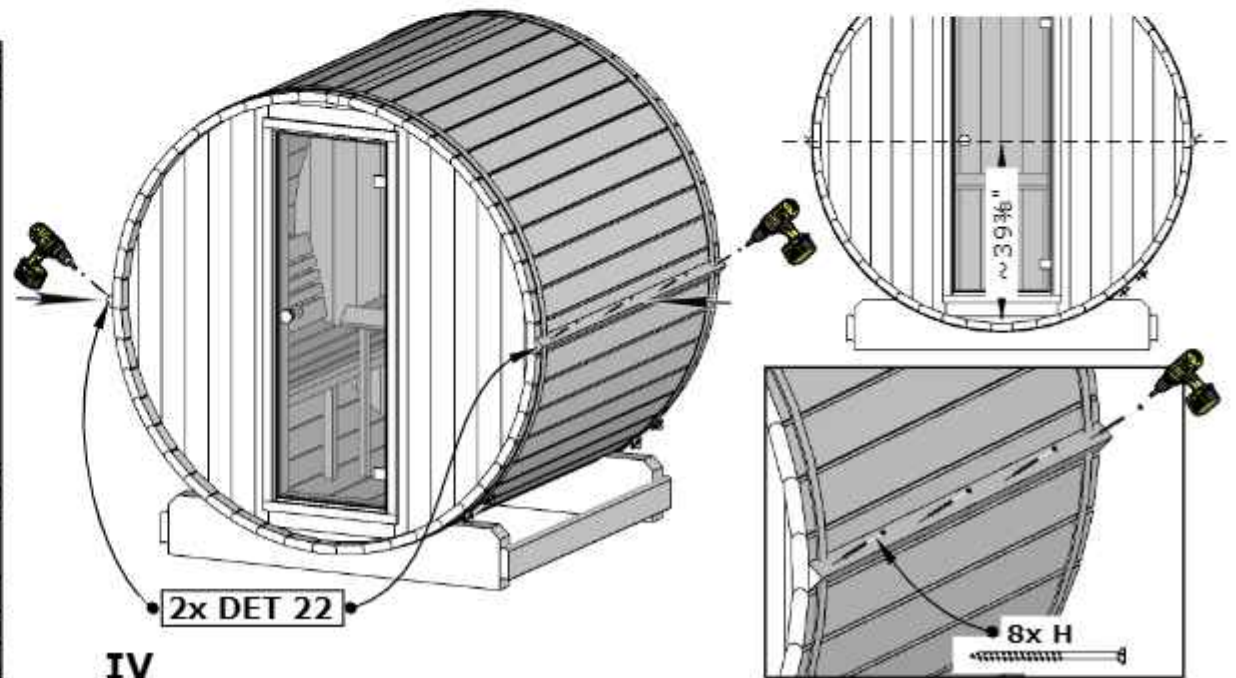
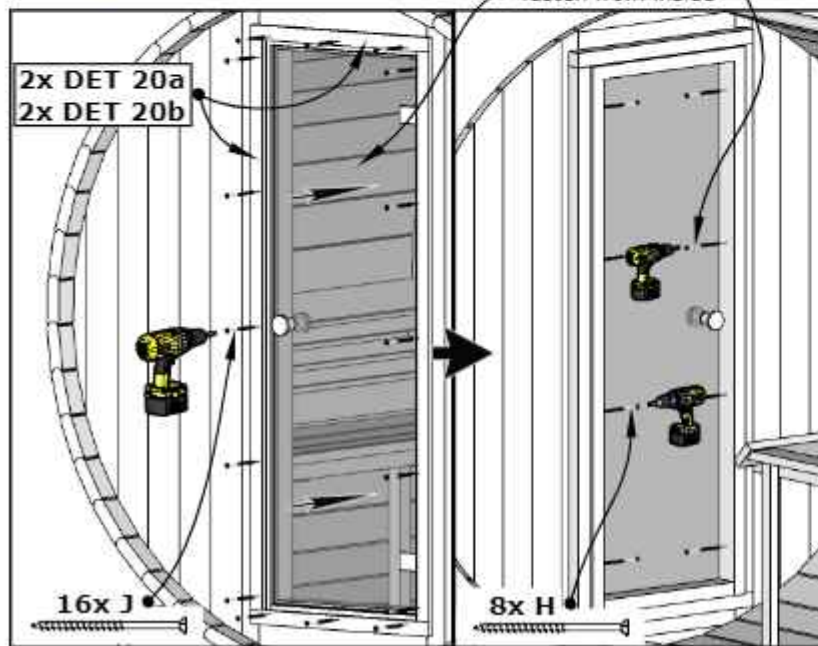
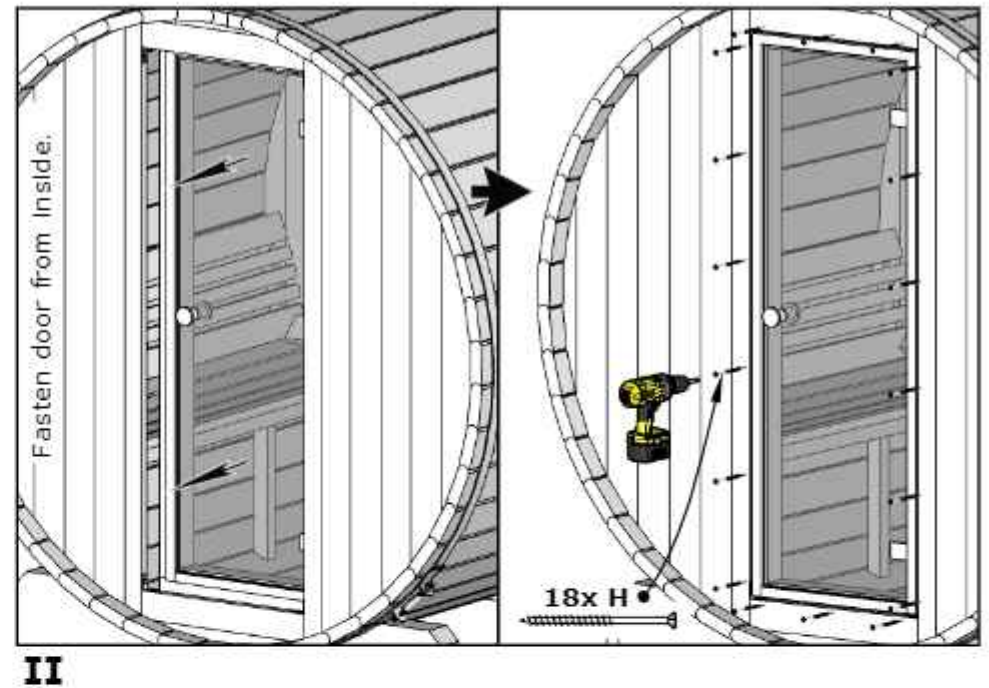
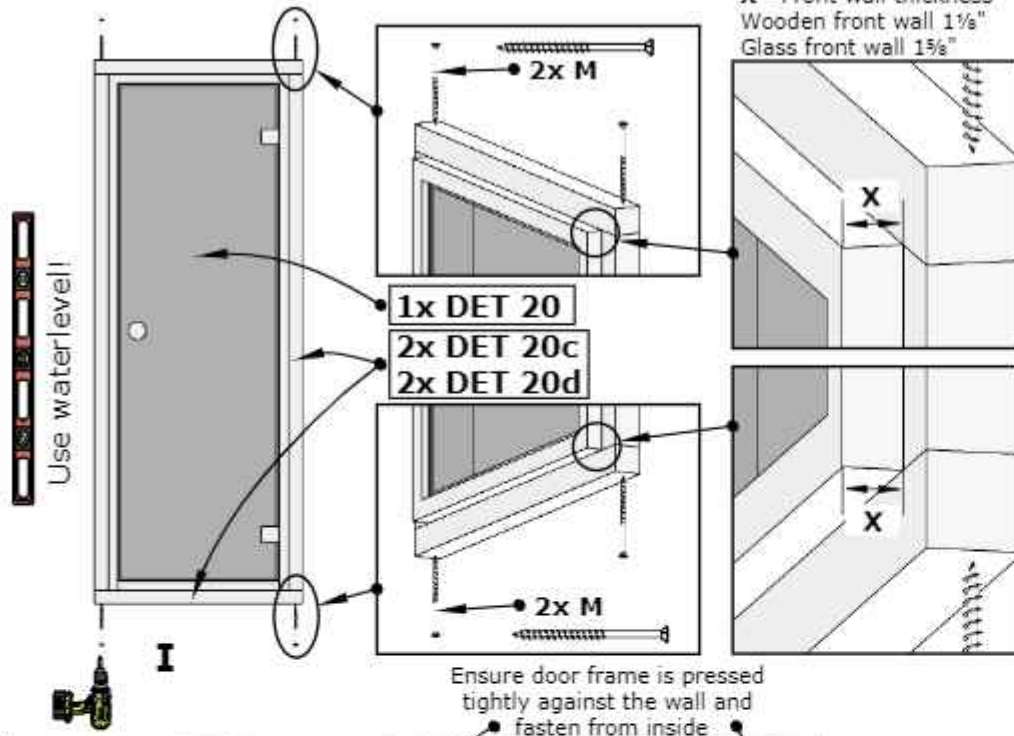


E6W Barrel Sauna 59D" x 81H"



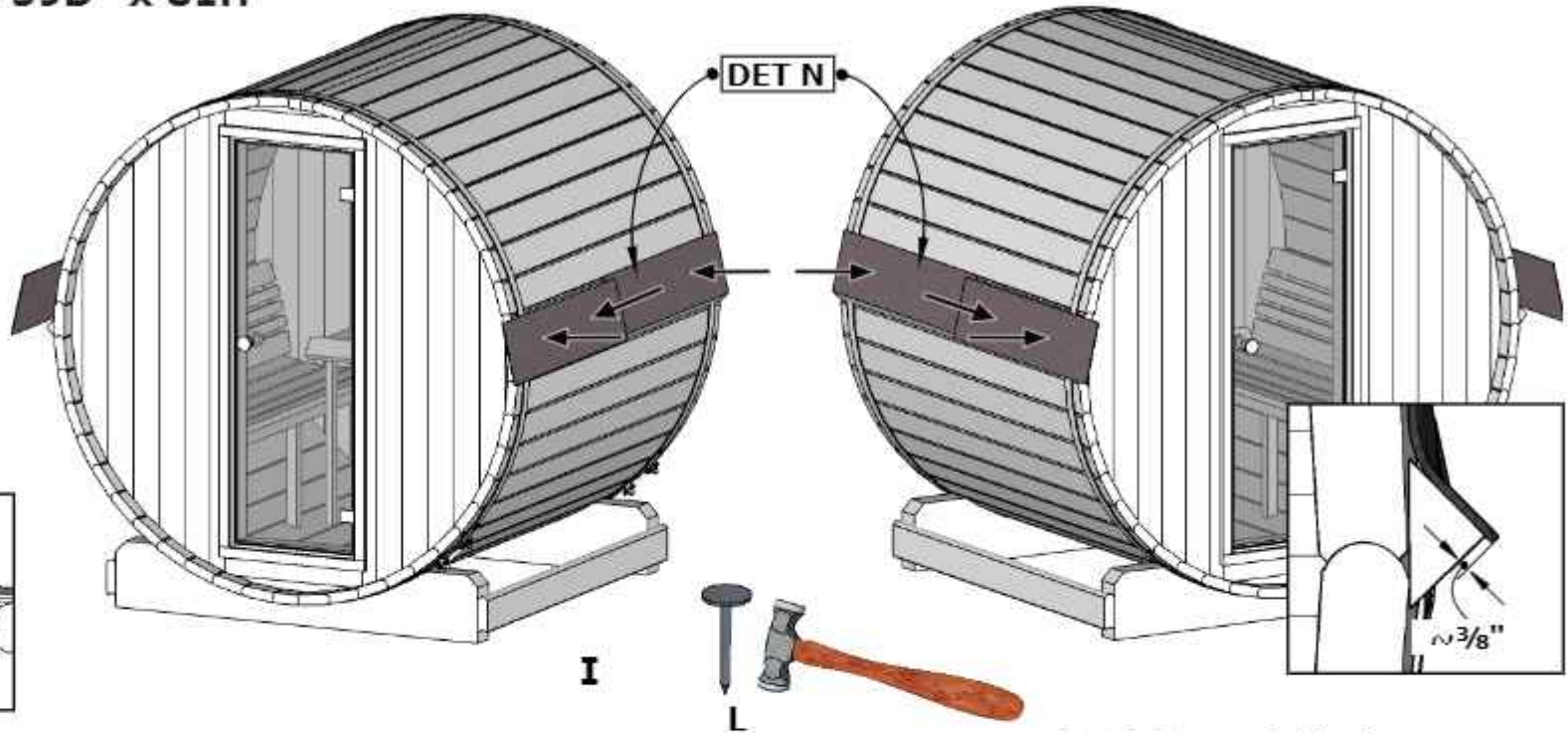
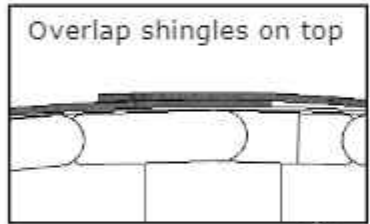
E6W Barrel Sauna 59D" x 81H"

X= Front wall thickness
 Wooden front wall 1 1/8"
 Glass front wall 1 1/8"

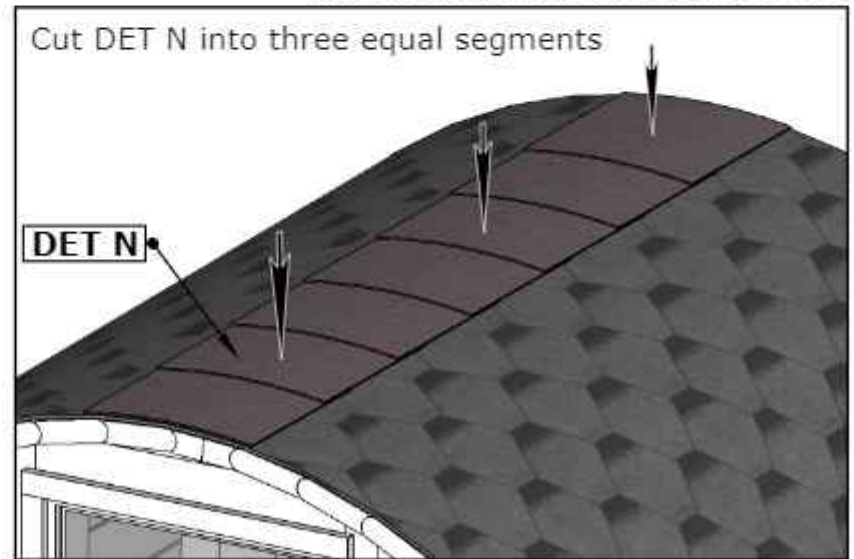
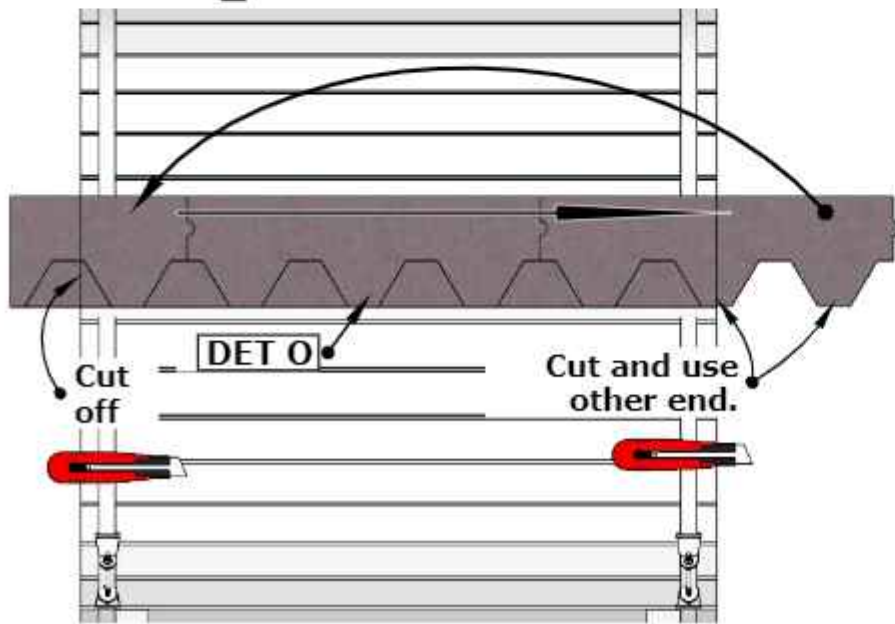


E6W Barrel Sauna 59D" x 81H"

See the installation manual inside the shingles package



Check also roof shingles installation manual inside package.



E6W Barrel Sauna 59D" x 81H"

