



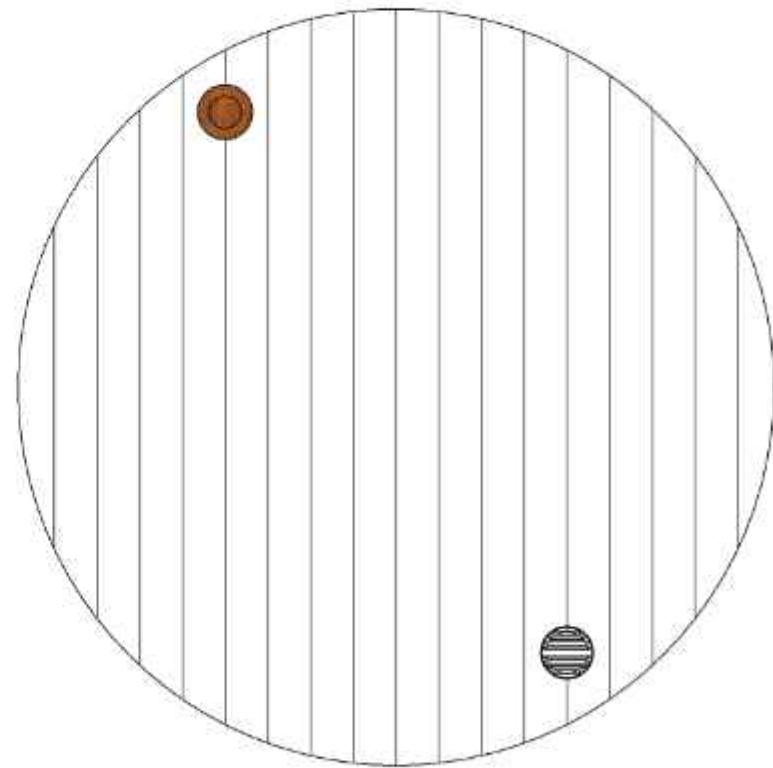
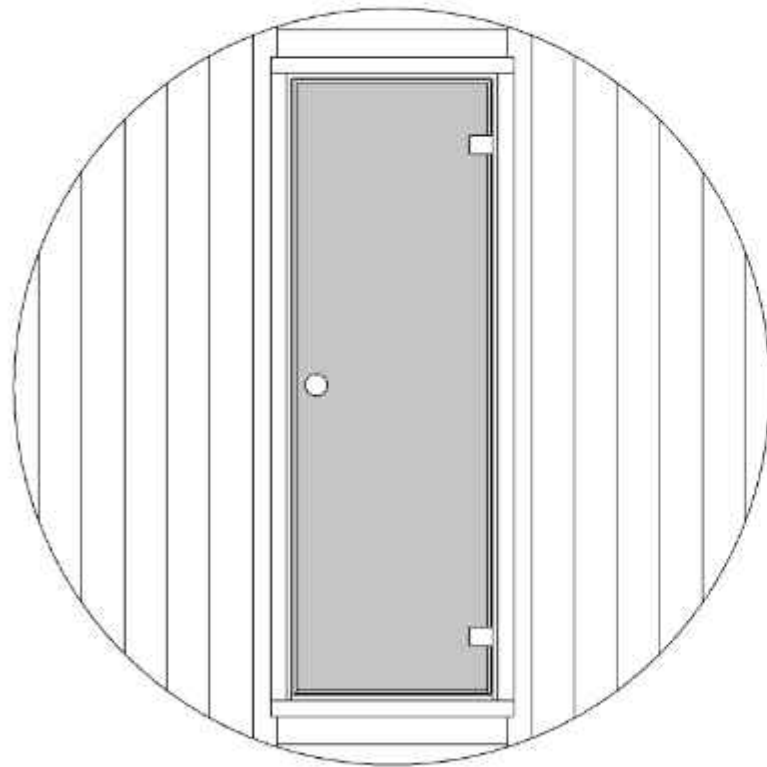
Ergo-Series E6 Barrel Sauna
59D" x 81H"



Note: Please read manual before construction

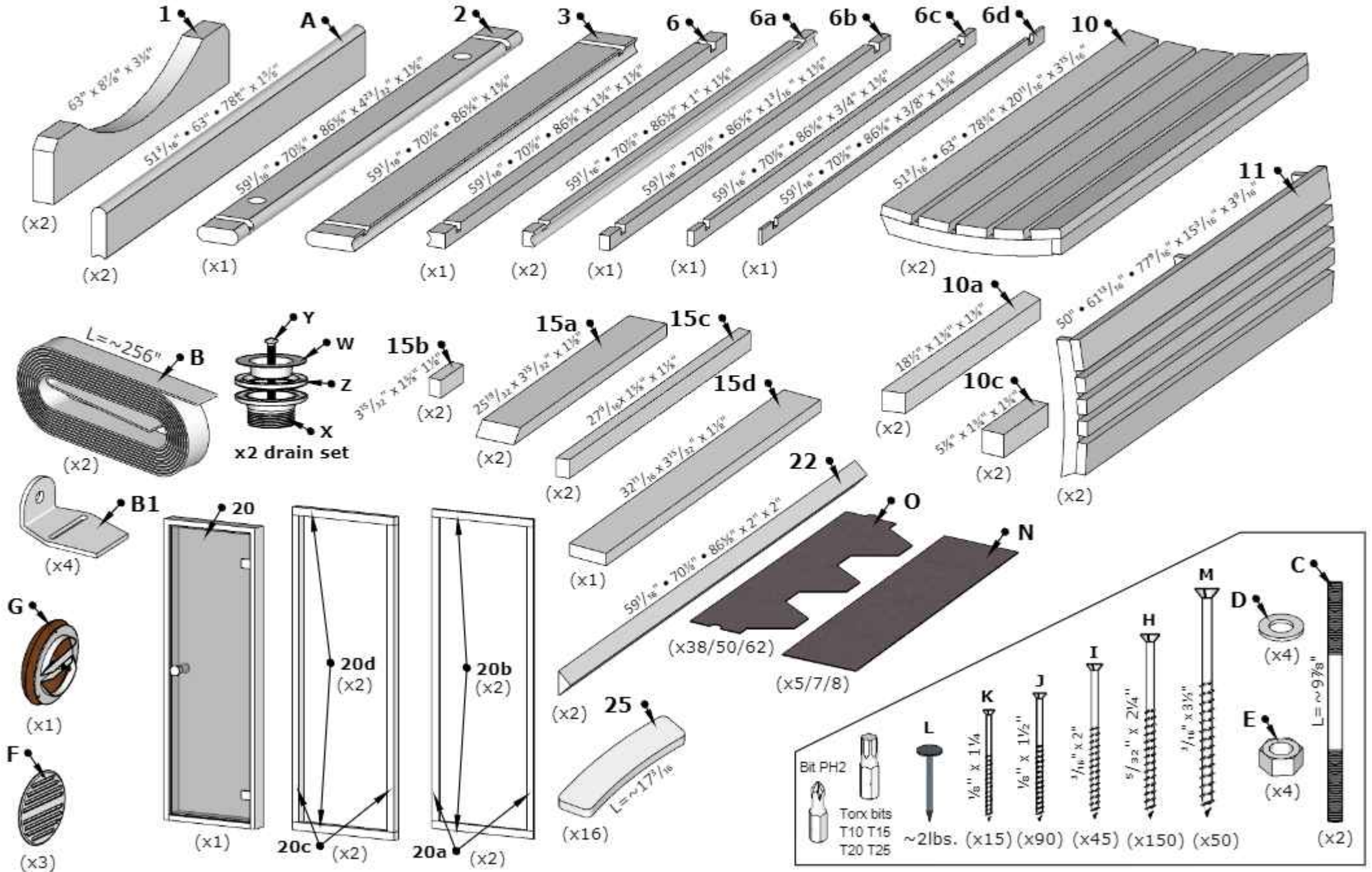
Rev 4/2023

Front & Back Walls



E6 Barrel Sauna 59D" x 81H"

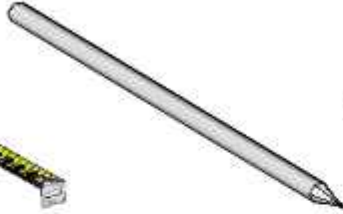
Details list.



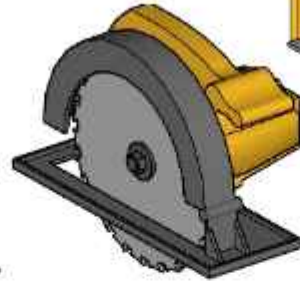
Tools needed



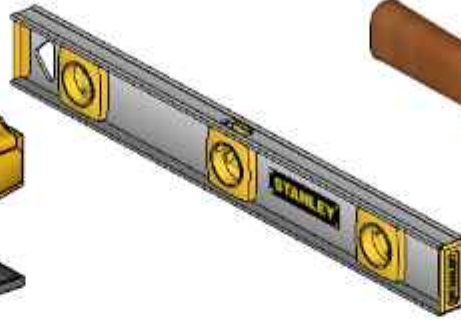
Measuring tape



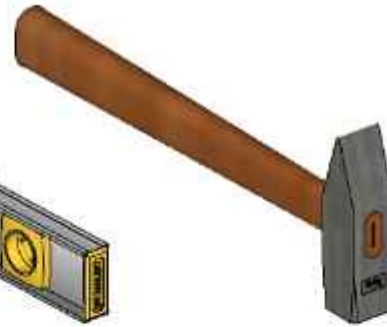
Marker pen



Circular saw



Water level



Hammer



Extra hands



Ratchet strap



Silicone gun
(Only glass-wall models)



Drill



Crescent wrench



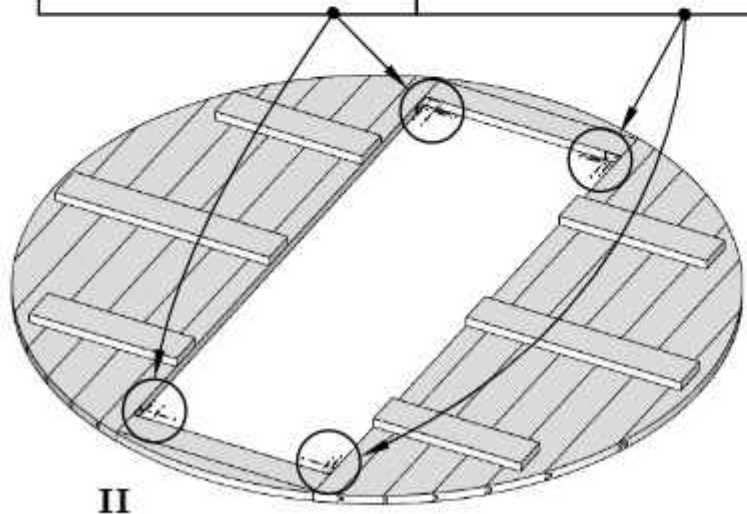
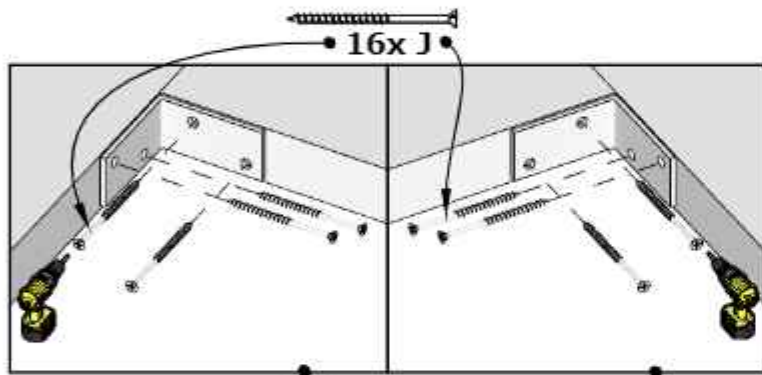
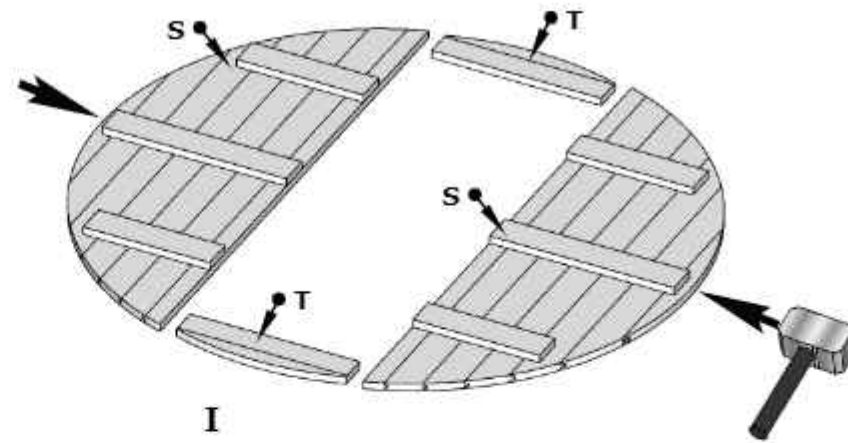
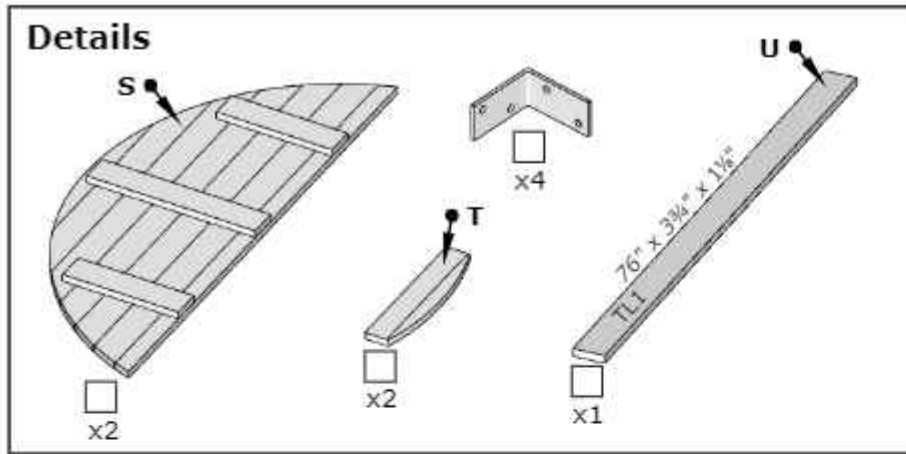
Utility knife



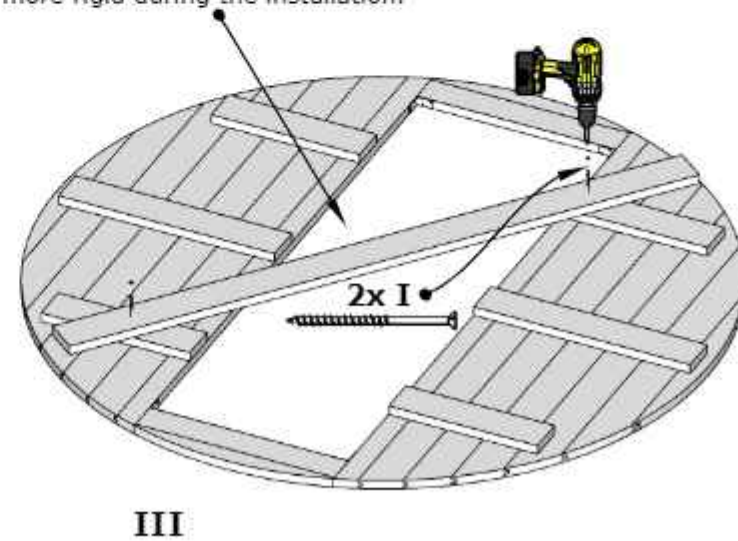
Rubber mallet

Wooden front wall installation

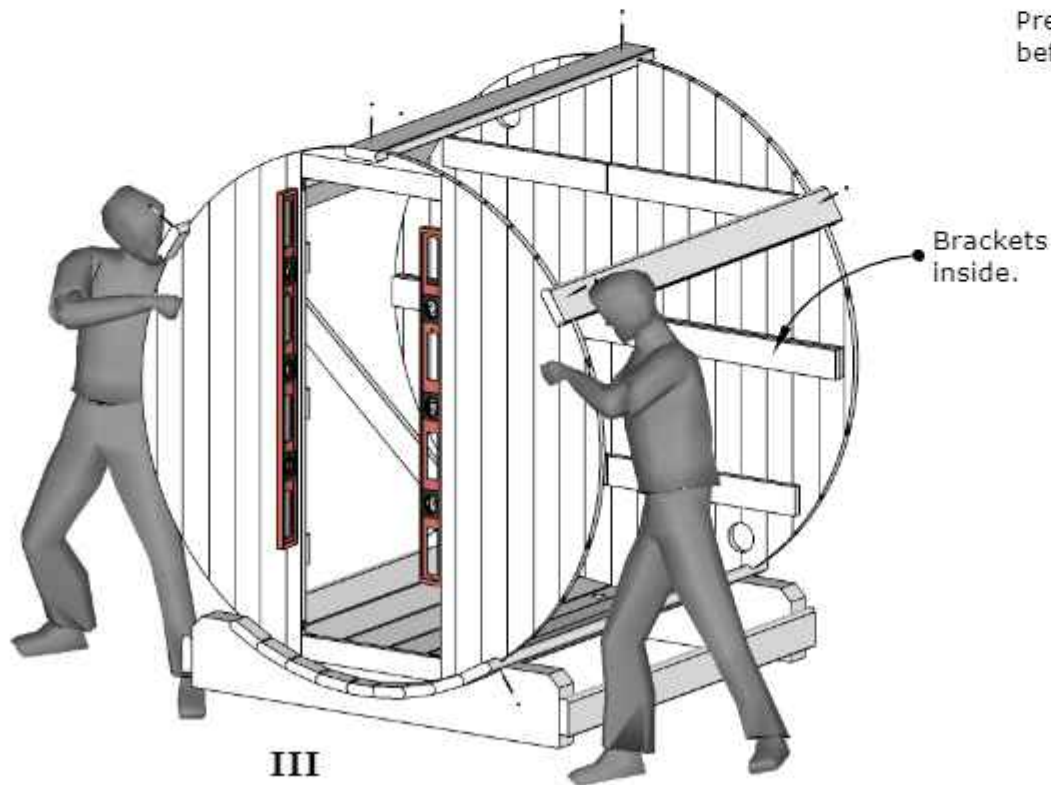
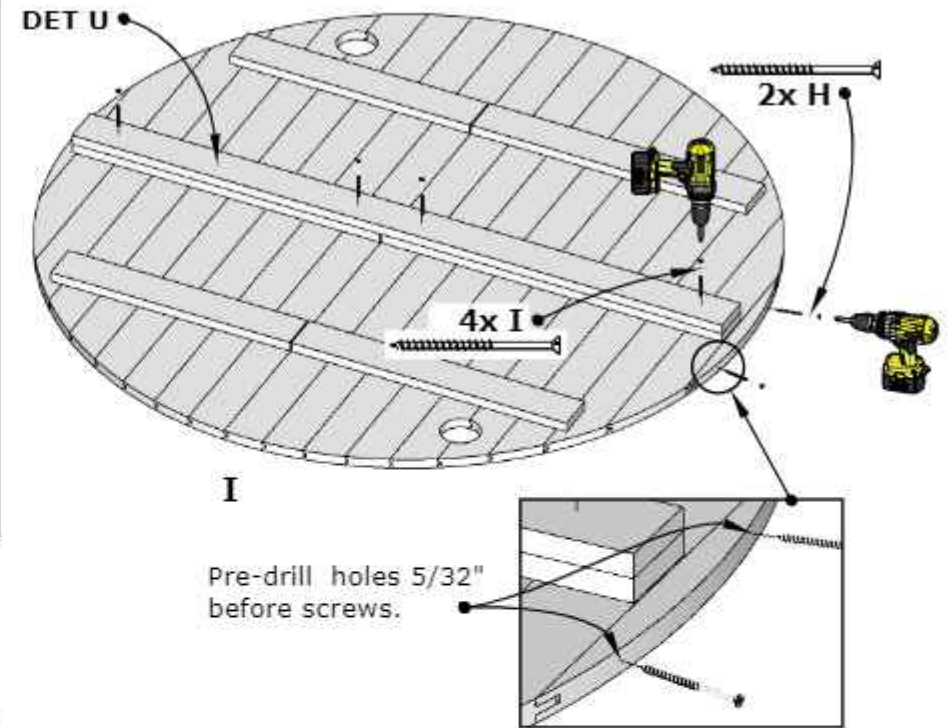
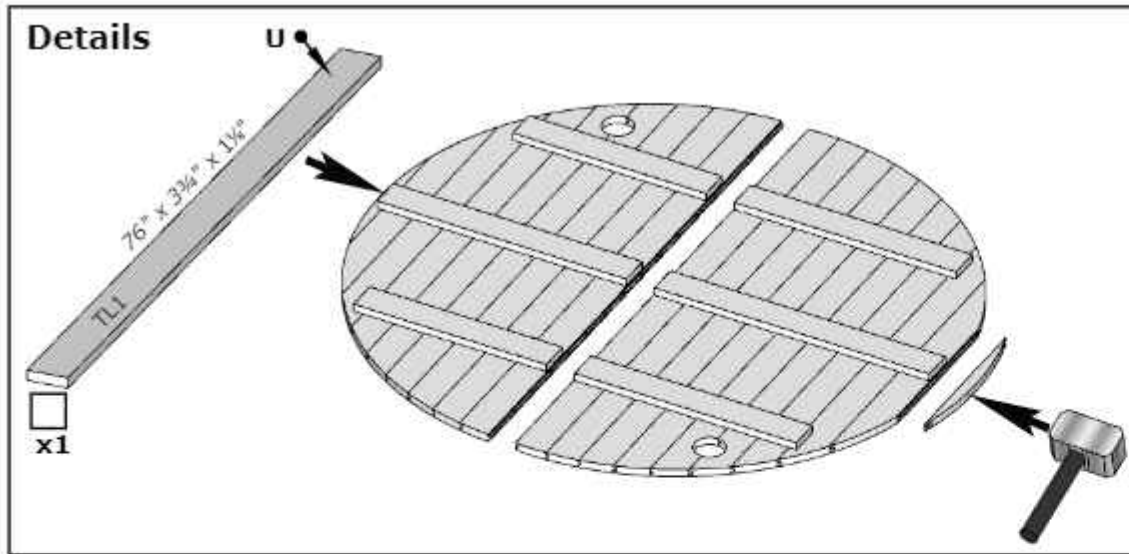
Details



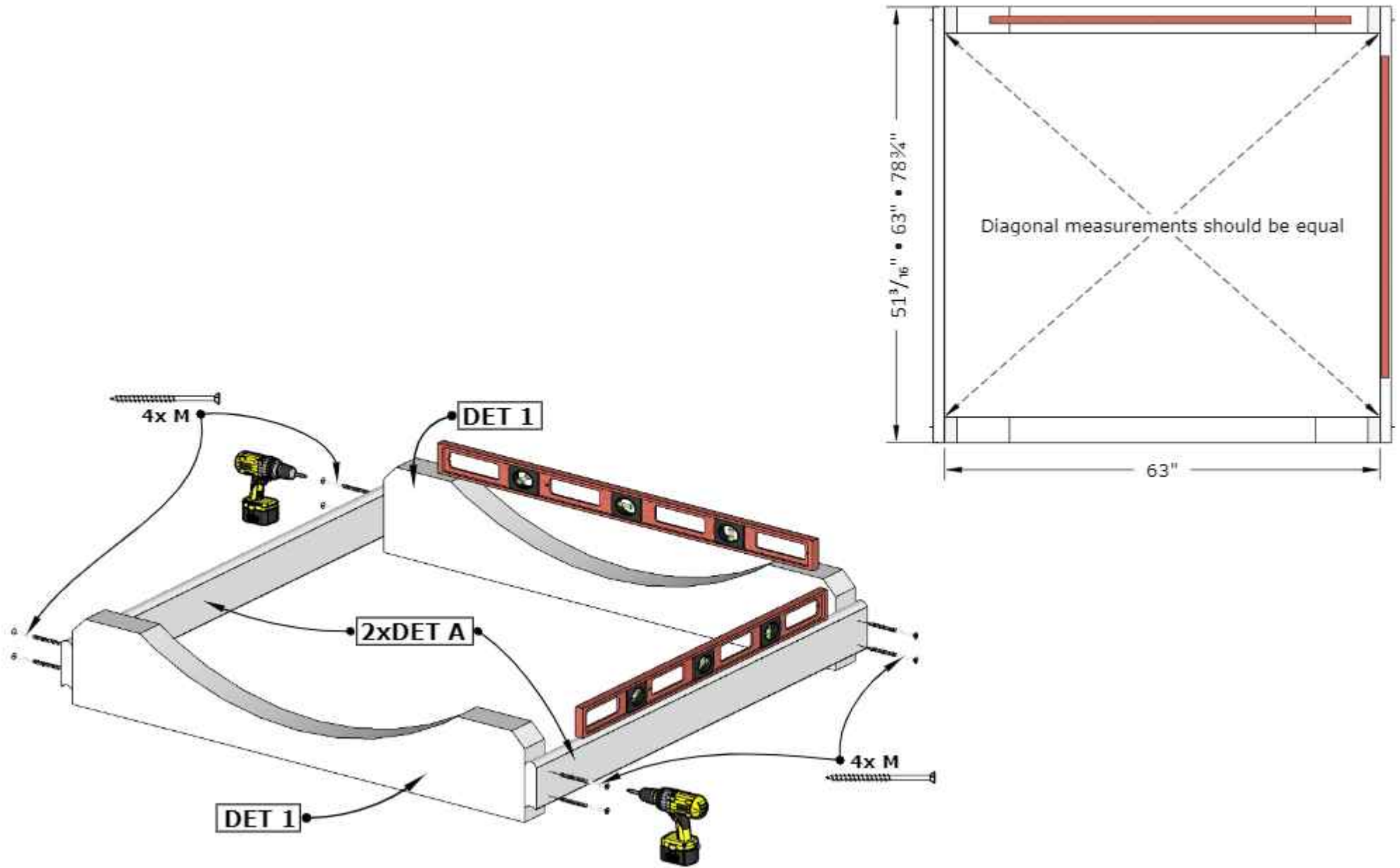
DET U Fix it diagonally to make wall more rigid during the installation.



Wooden back wall installation

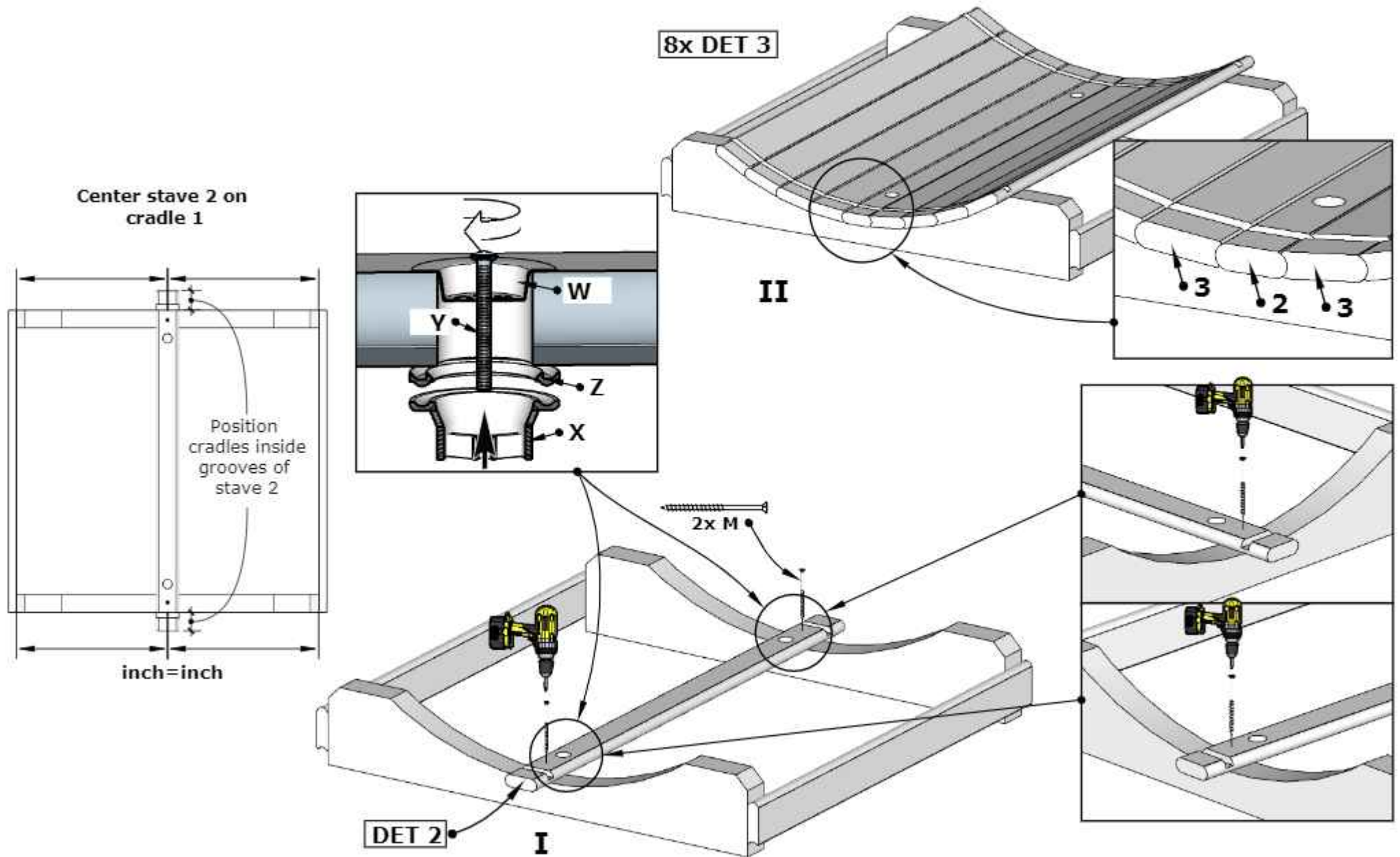


E6 Barrel Sauna 59D" x 81H"

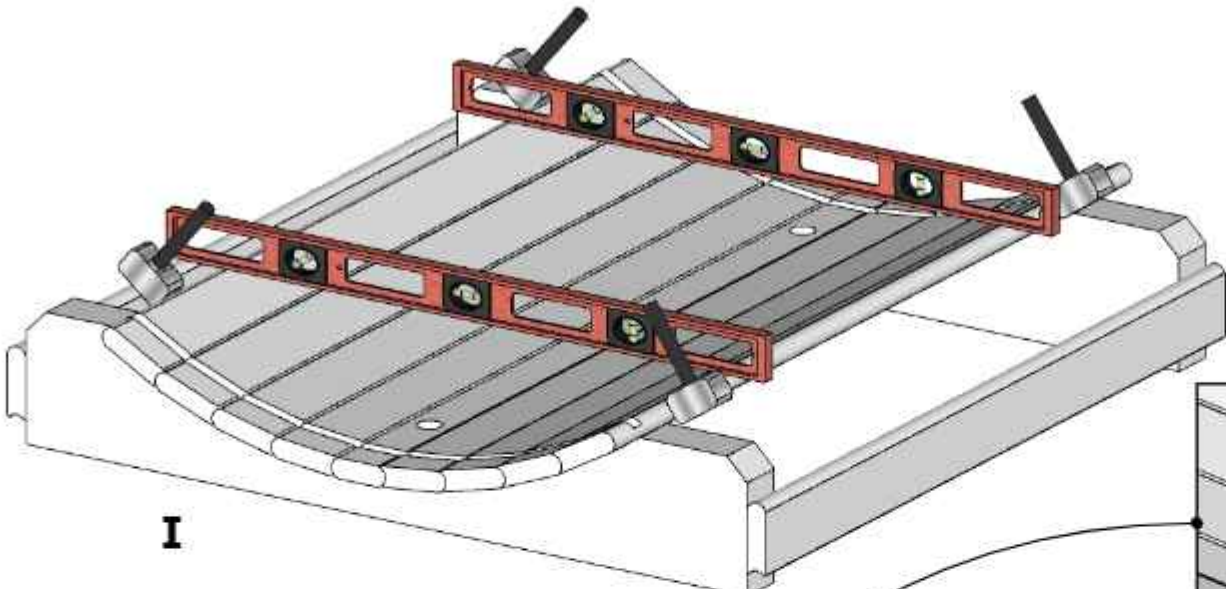


1.

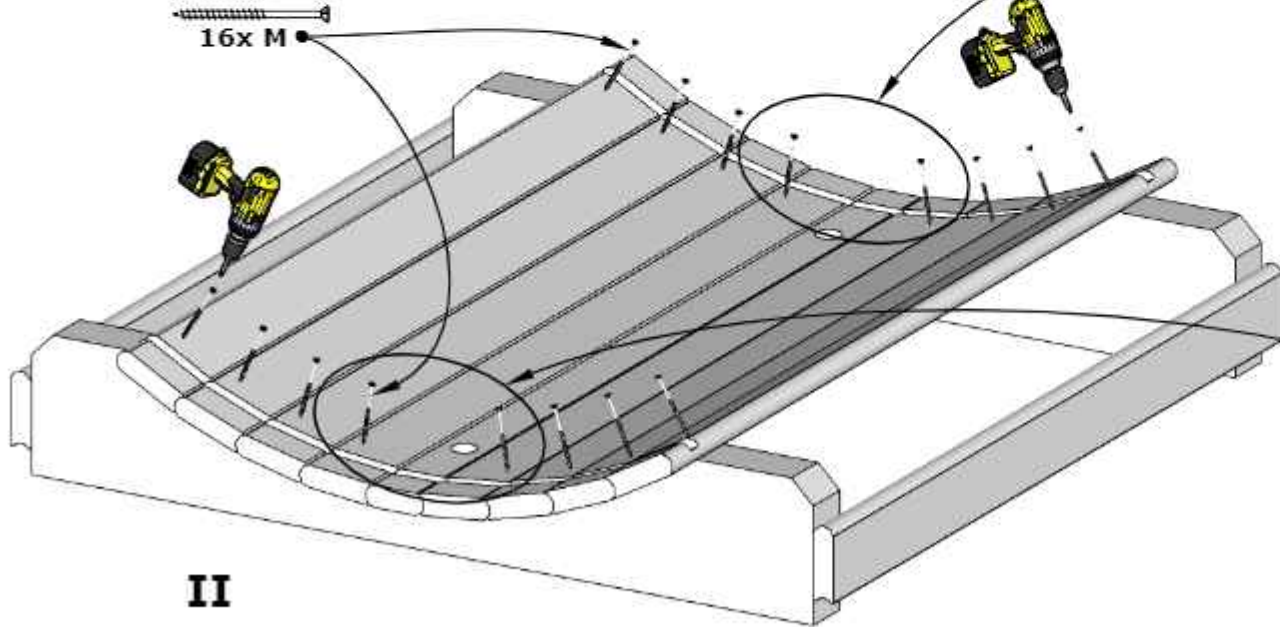
E6 Barrel Sauna 59D" x 81H"



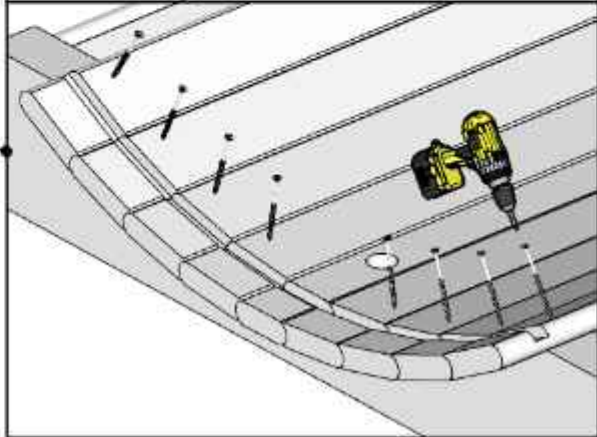
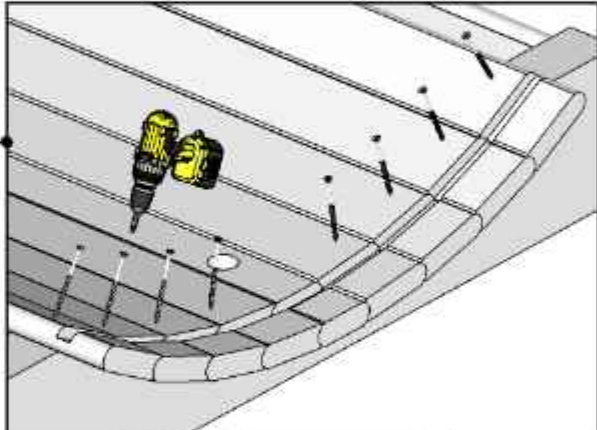
E6 Barrel Sauna 59D" x 81H"



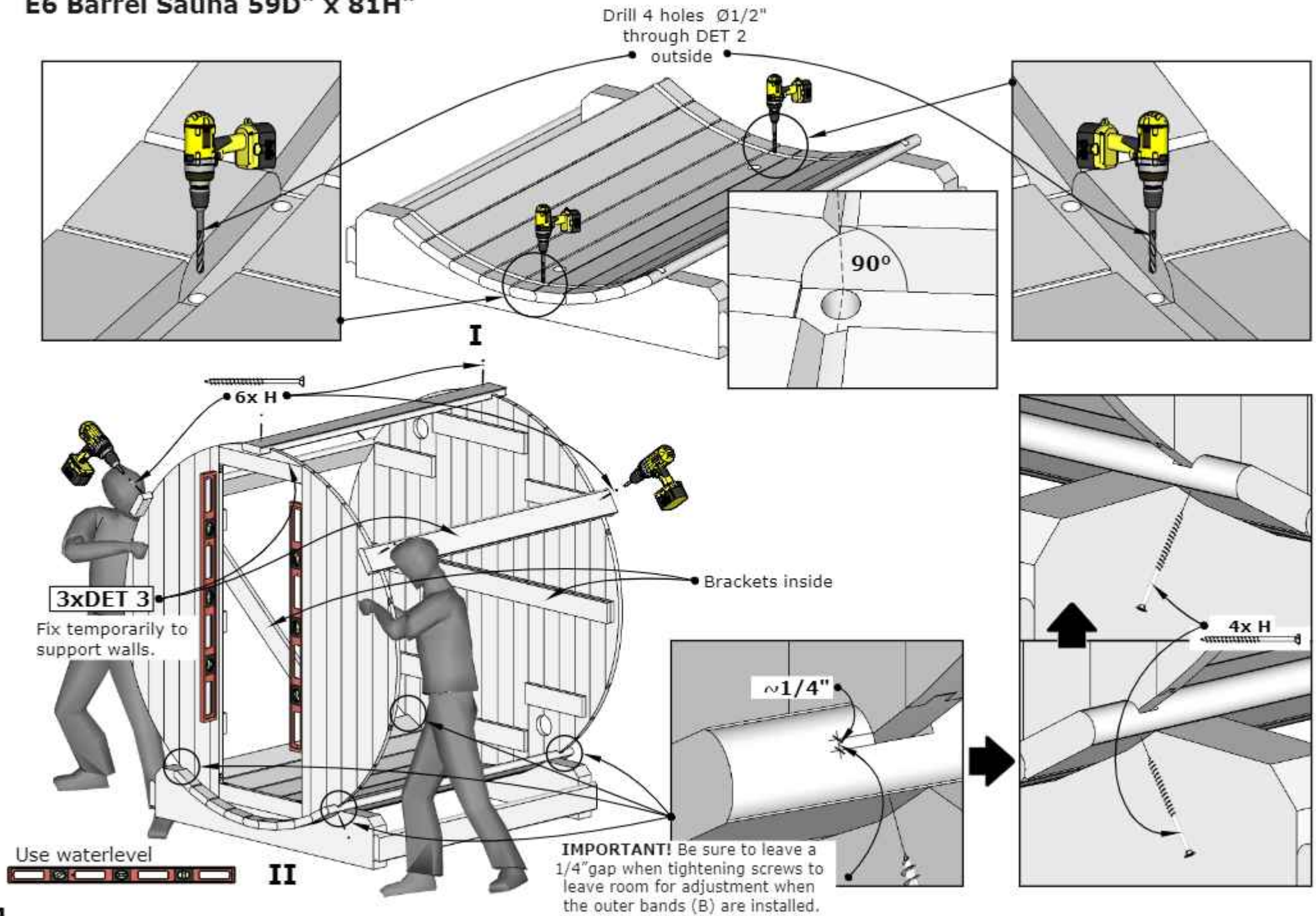
I



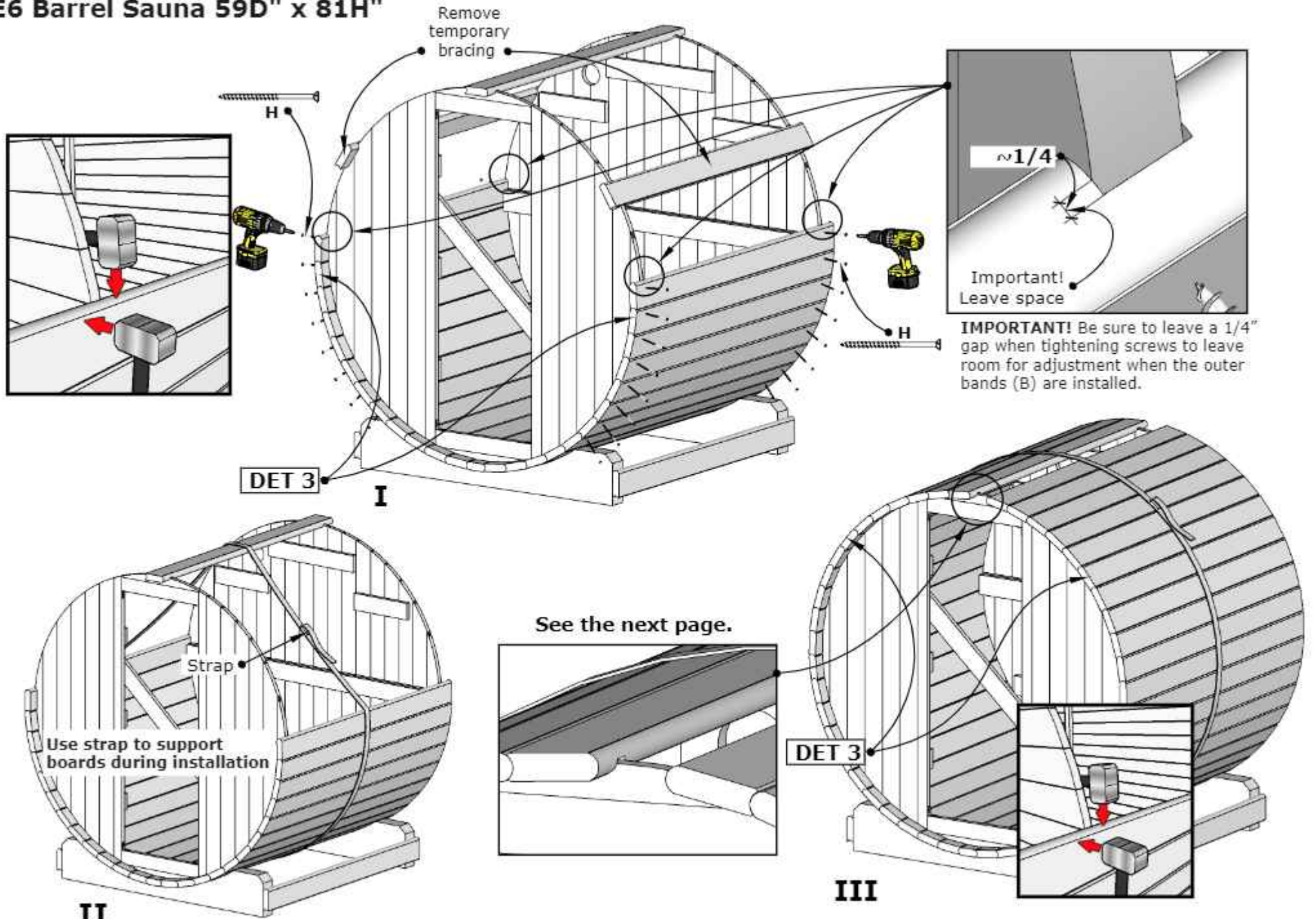
II



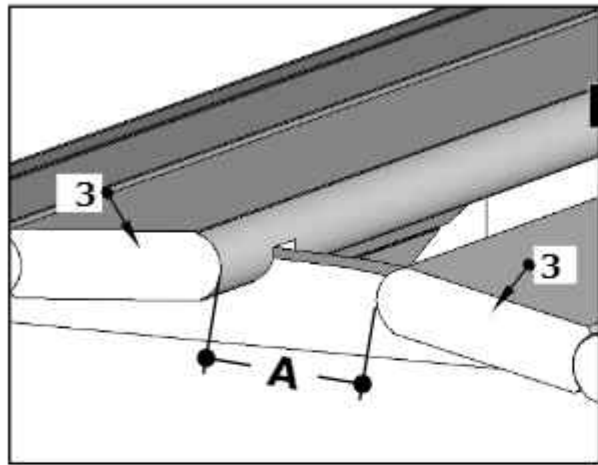
E6 Barrel Sauna 59D" x 81H"



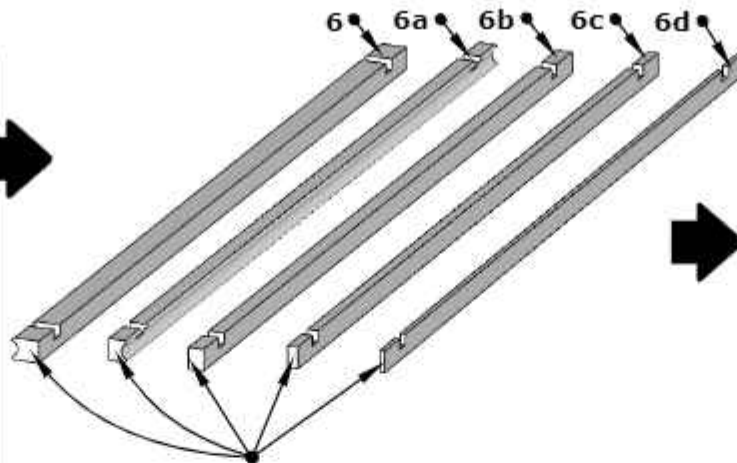
E6 Barrel Sauna 59D" x 81H"



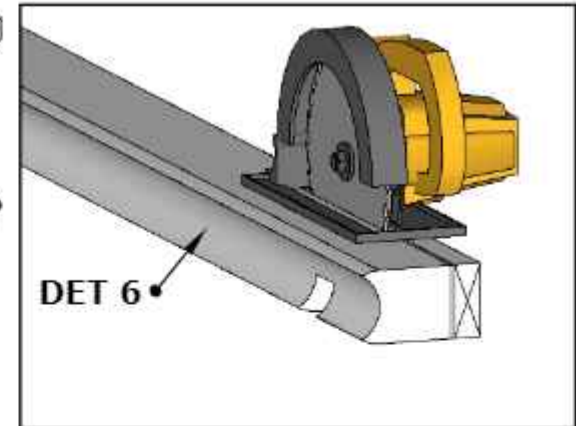
E6 Barrel Sauna 59D" x 81H"



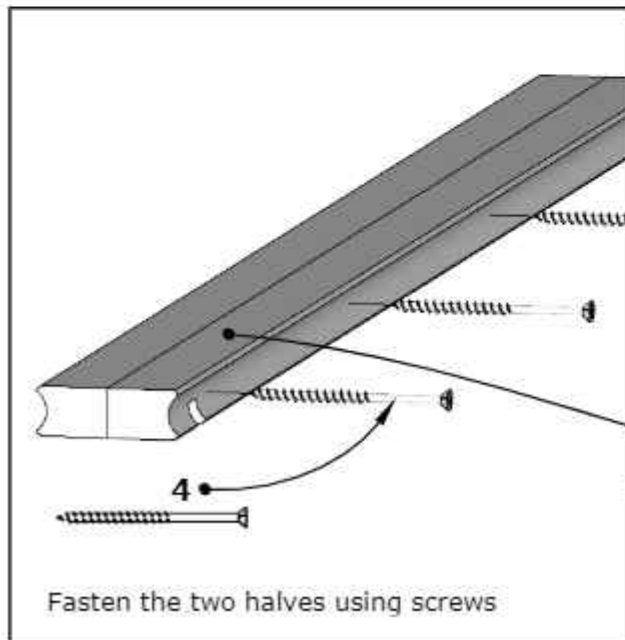
I



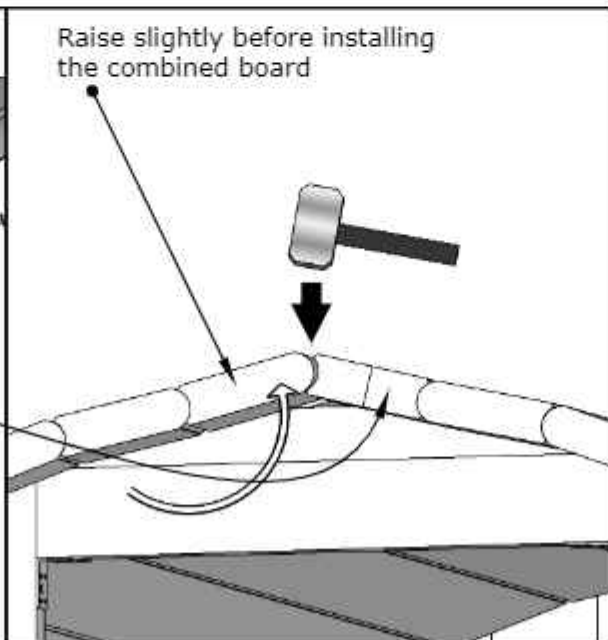
Join two boards together (as shown in diagram II) that will bridge the width of the "A" gap. It is recommended that the combined boards are approximately 1/4" wider than the gap.



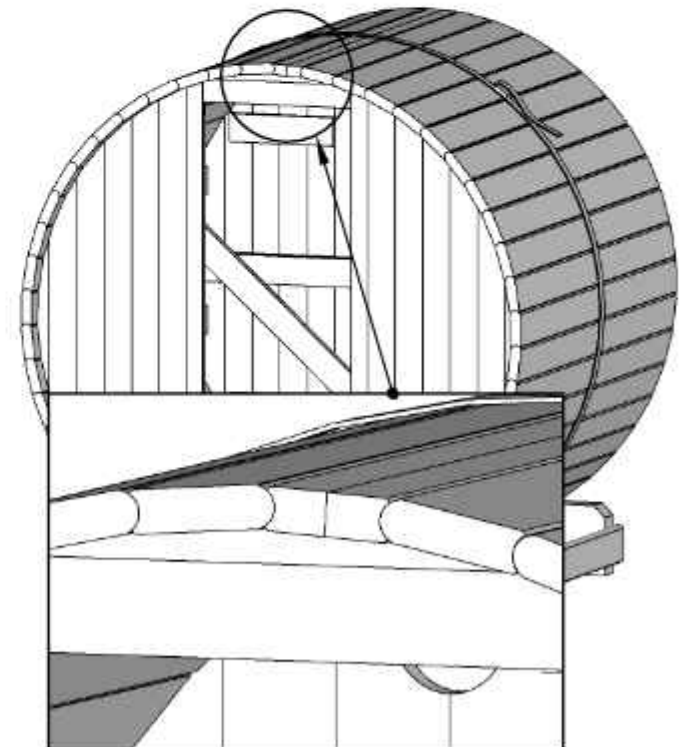
If needed, trim the flat edge of the board to create the desired width.



Fasten the two halves using screws



Raise slightly before installing the combined board

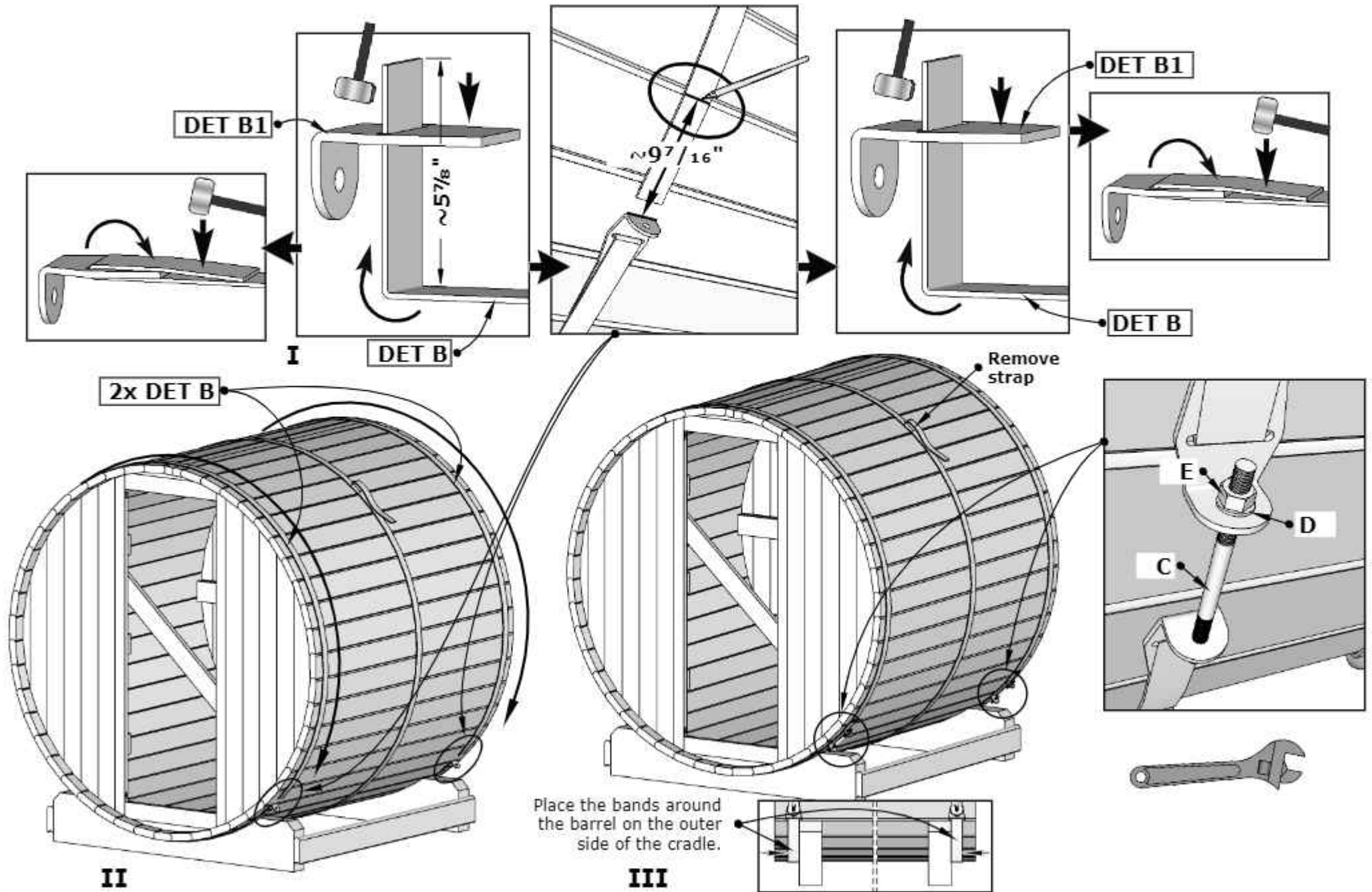


6.

II

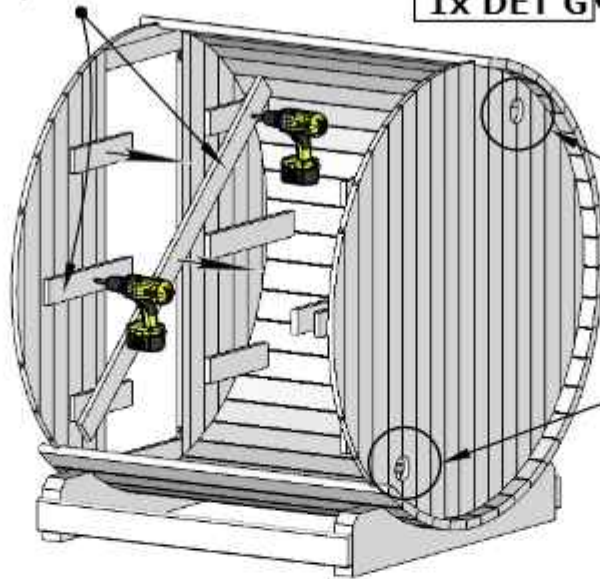
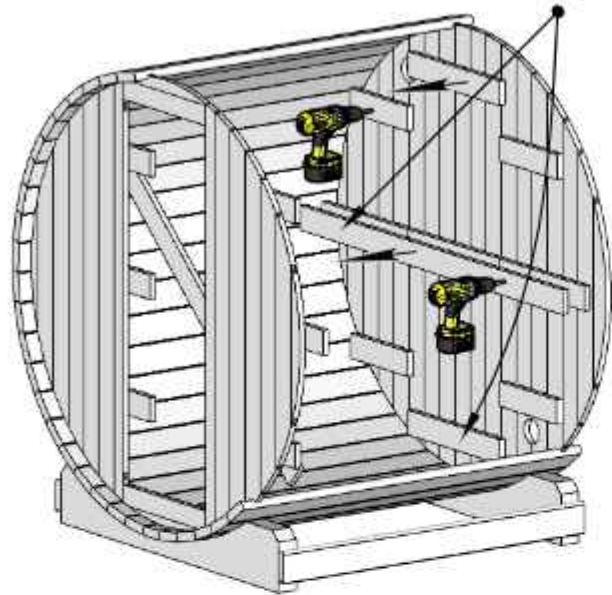
III

E6 Barrel Sauna 59D" x 81H"

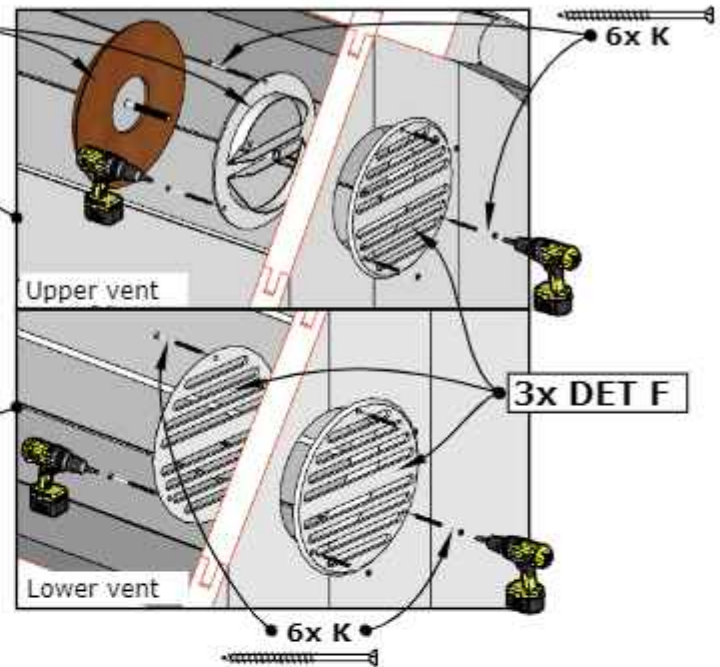


E6 Barrel Sauna 59D" x 81H"

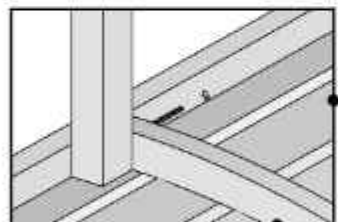
Remove all temporary braces



1x DET G



I

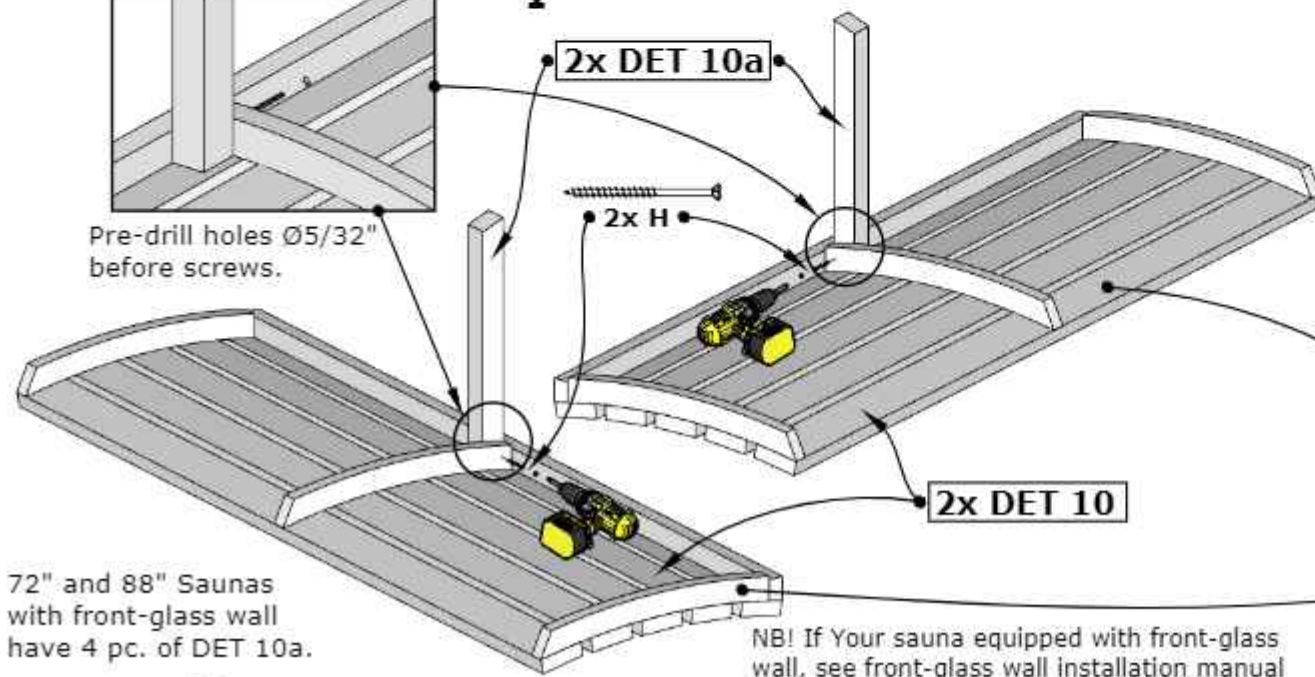


Pre-drill holes Ø5/32" before screws.

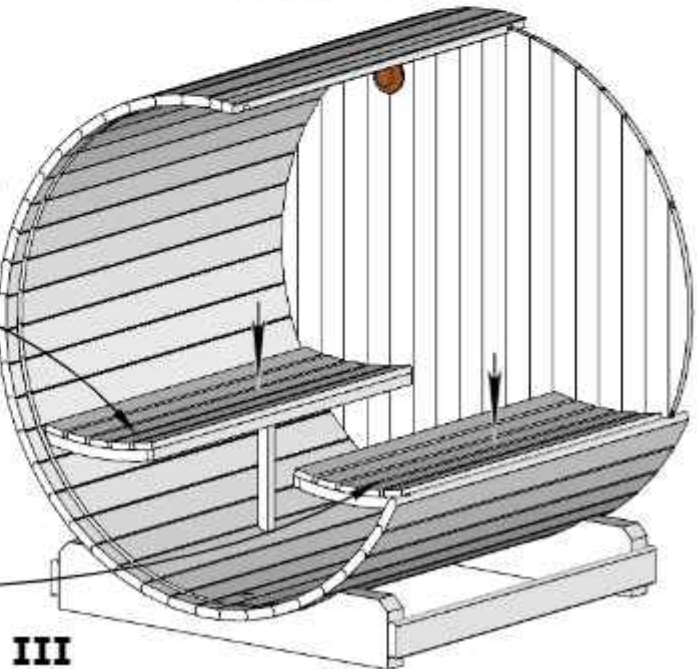
2x DET 10a

2x H

2x DET 10



NB! If Your sauna equipped with front-glass wall, see front-glass wall installation manual for proper benches installation.



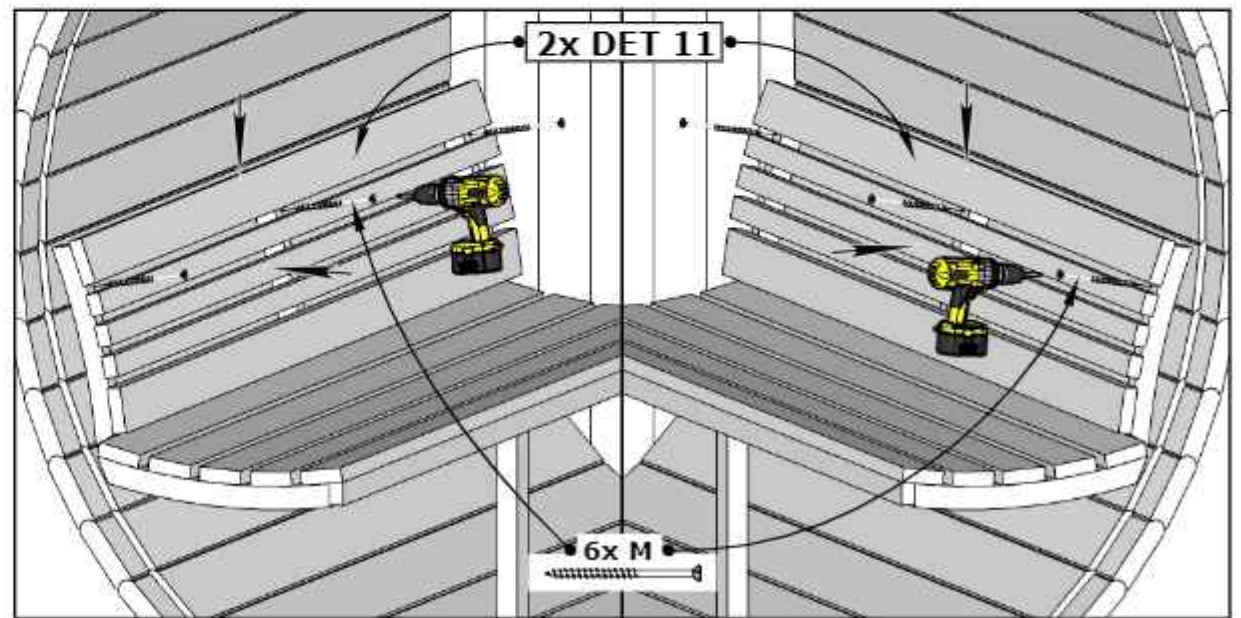
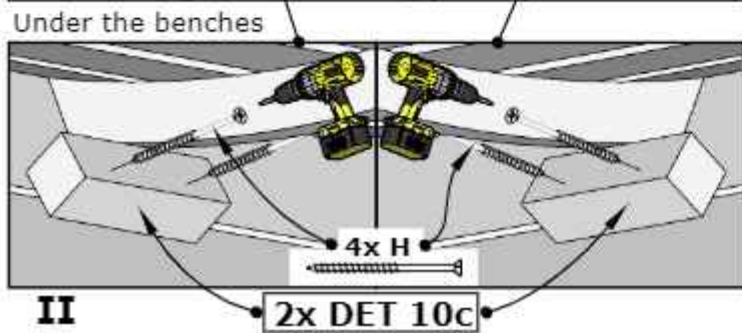
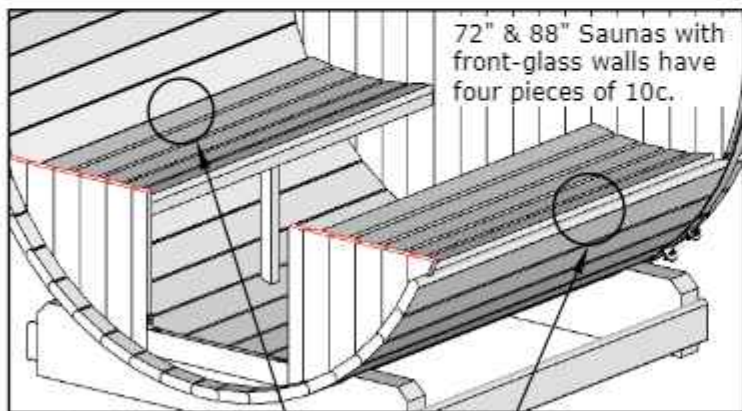
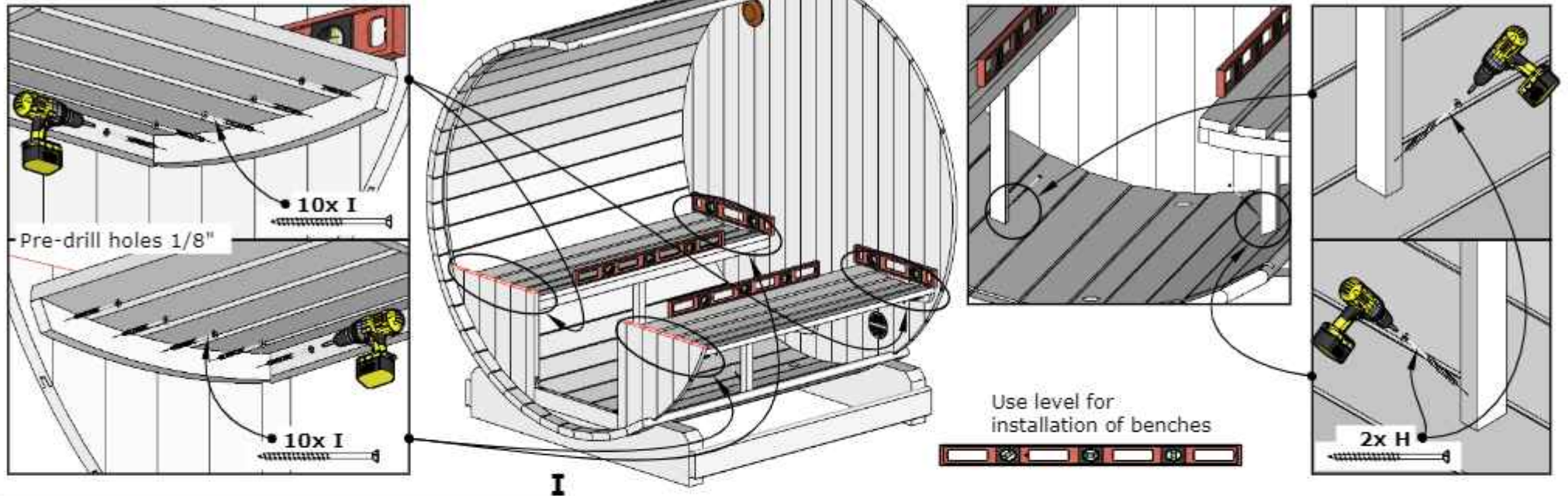
III

8.

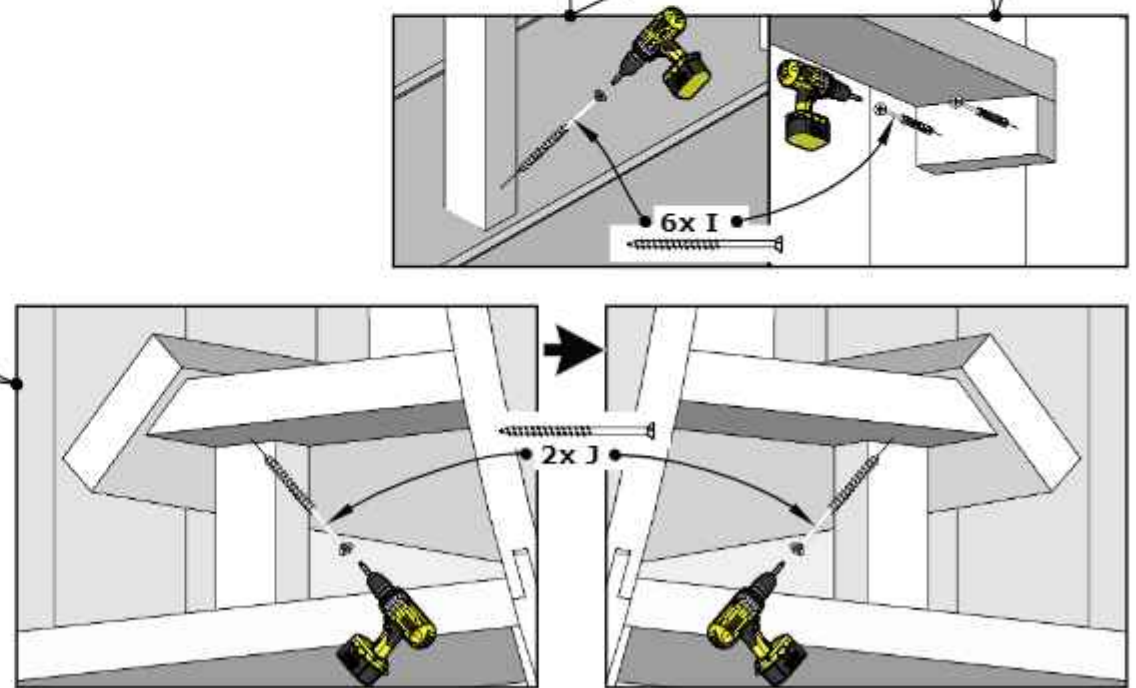
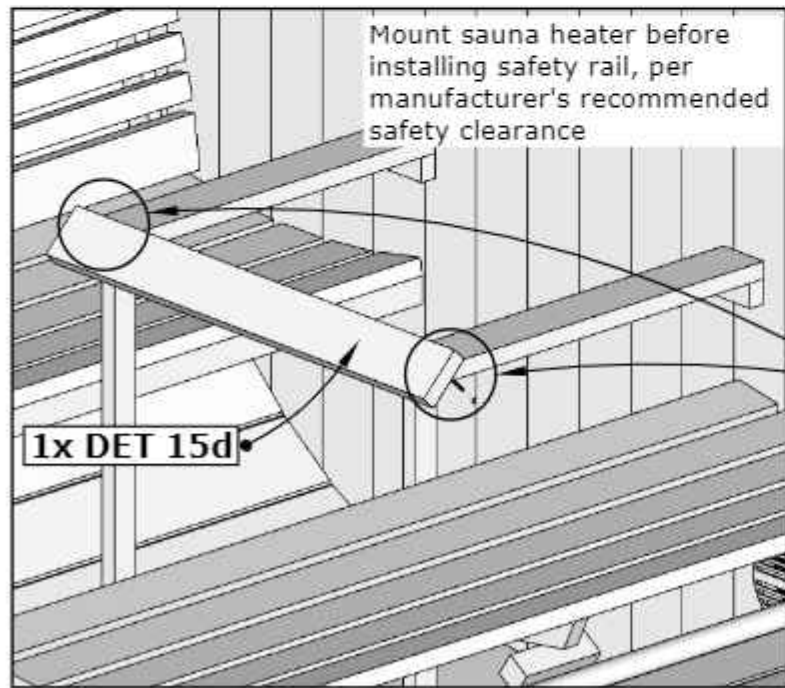
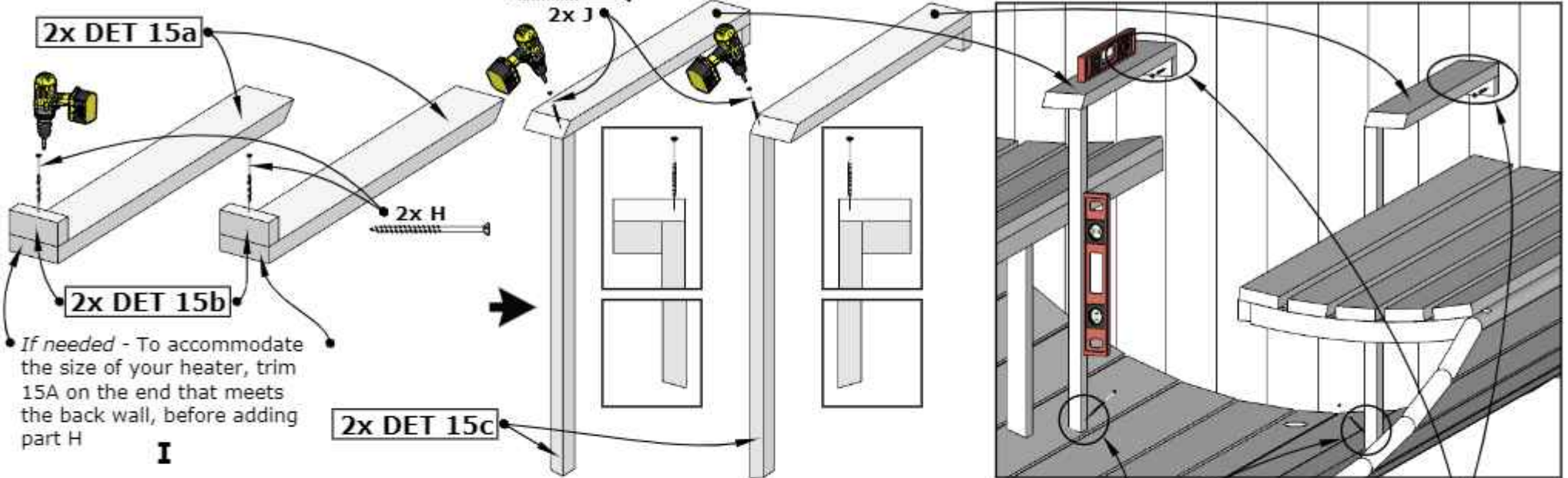
II

72" and 88" Saunas with front-glass wall have 4 pc. of DET 10a.

E6 Barrel Sauna 59D" x 81H"

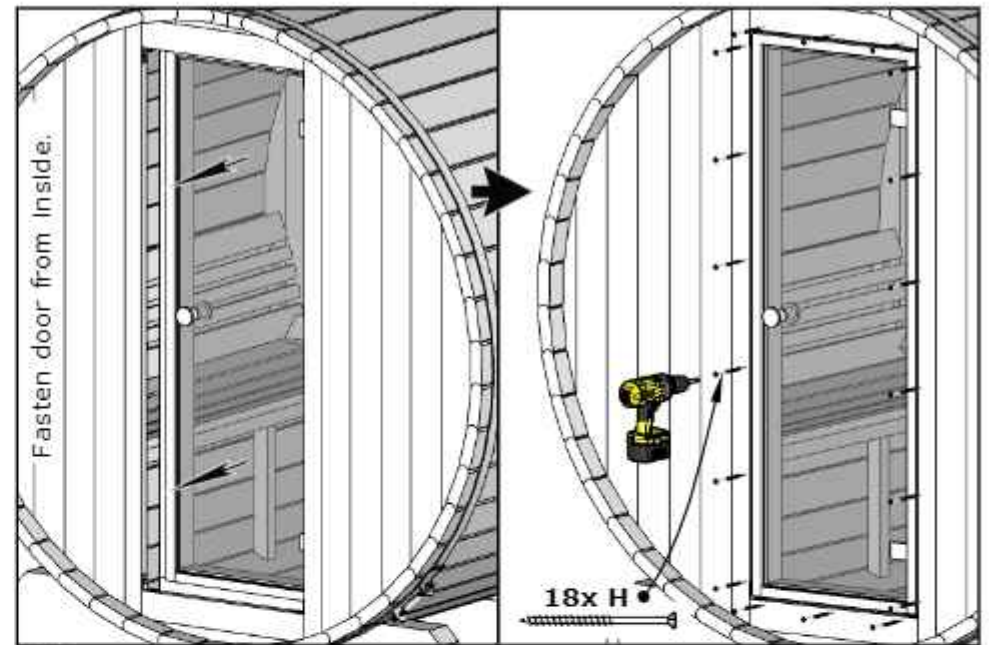
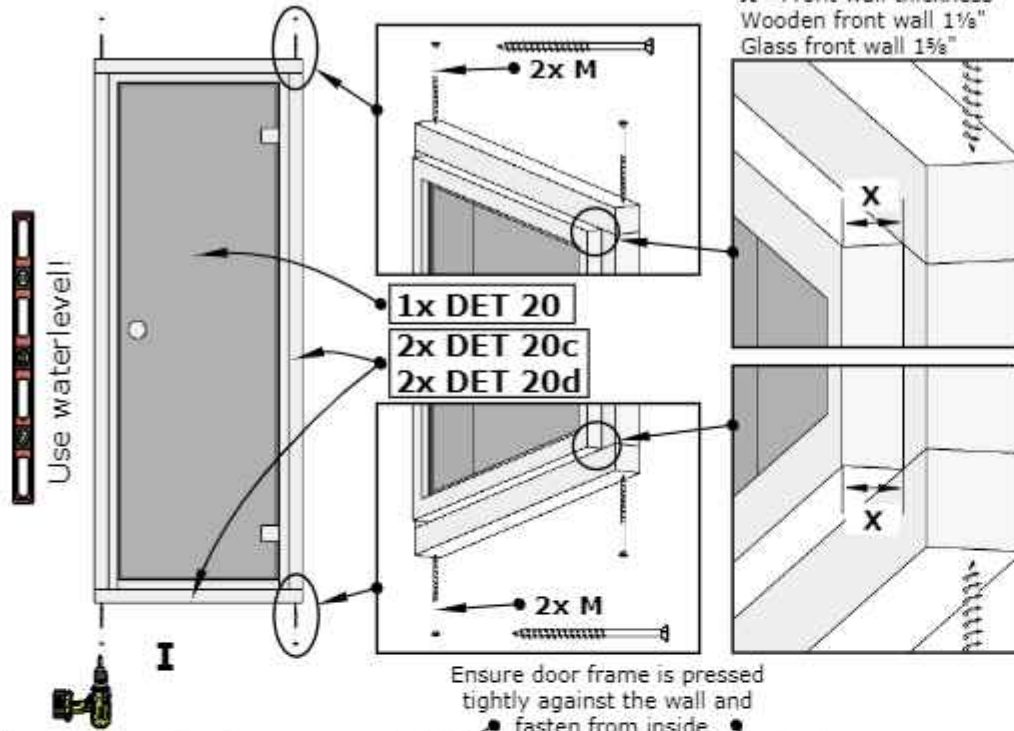


E6 Barrel Sauna 59D" x 81H"

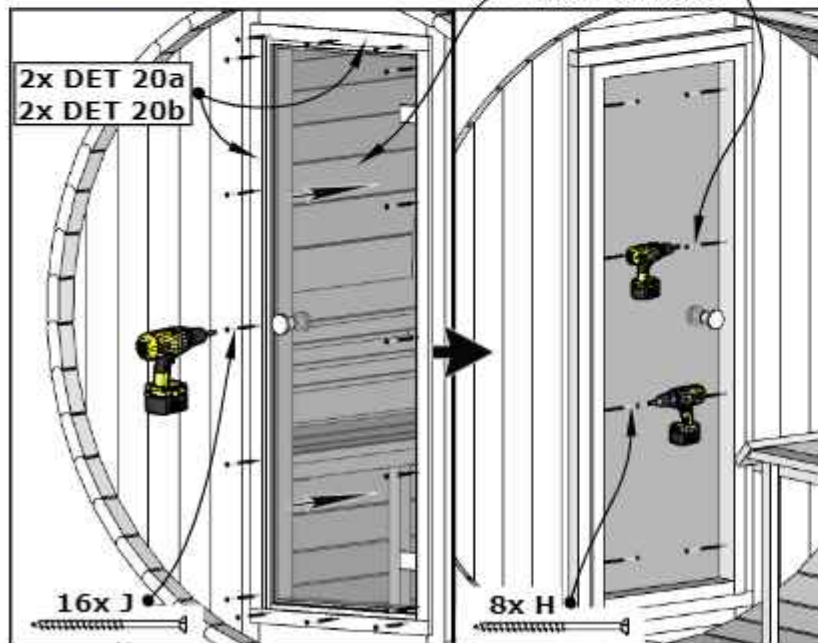


E6 Barrel Sauna 59D" x 81H"

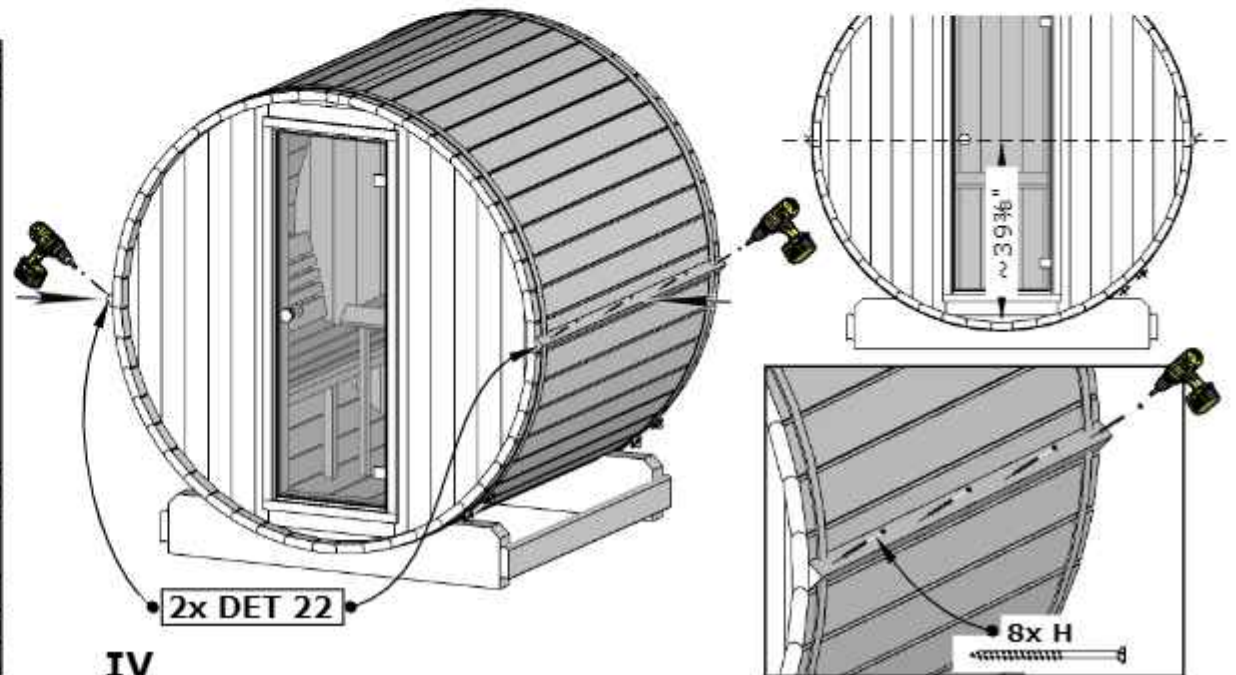
X= Front wall thickness
 Wooden front wall 1 1/8"
 Glass front wall 1 1/8"



II



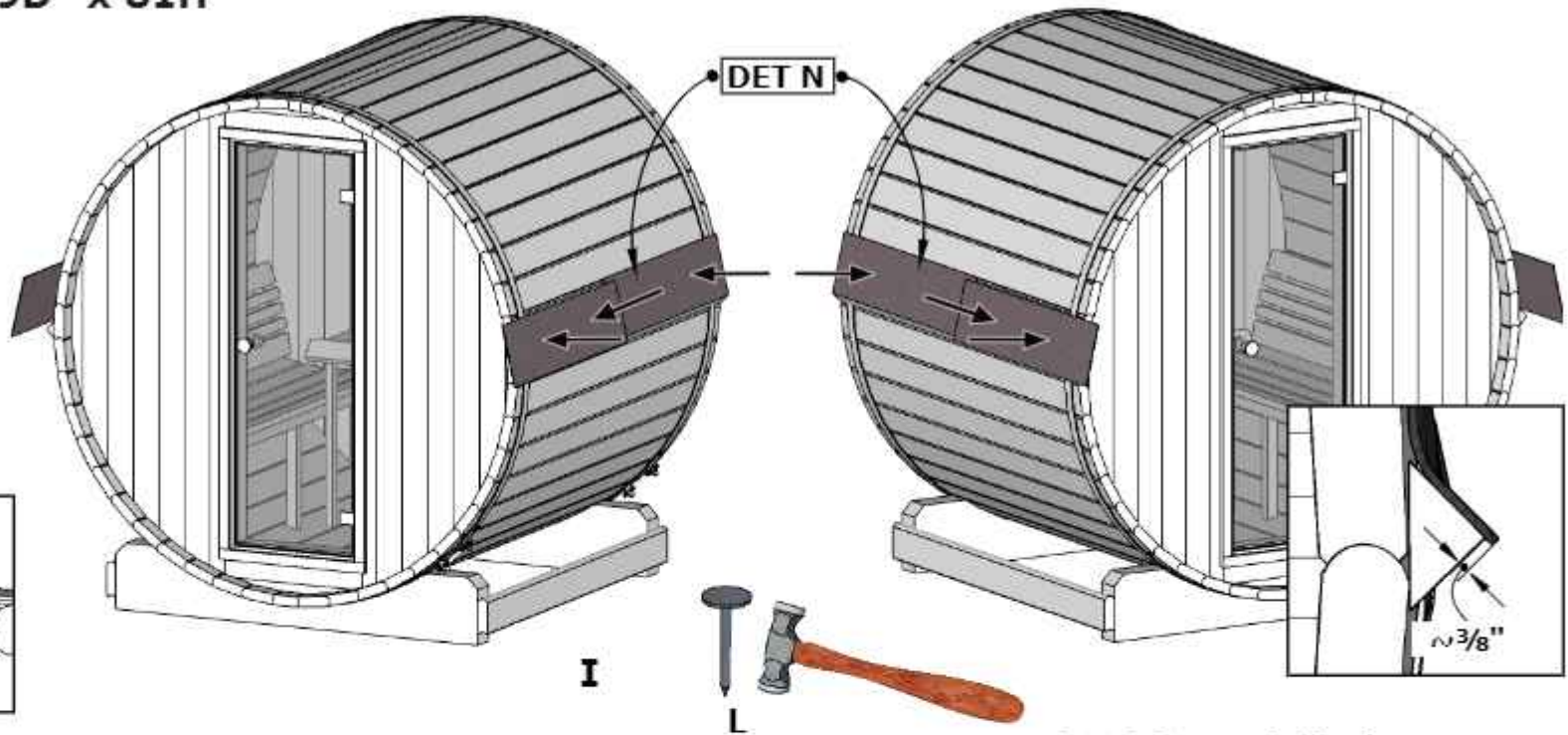
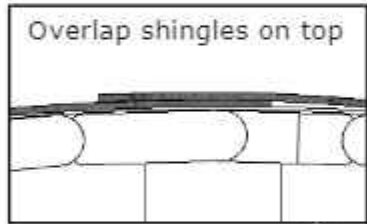
11. III



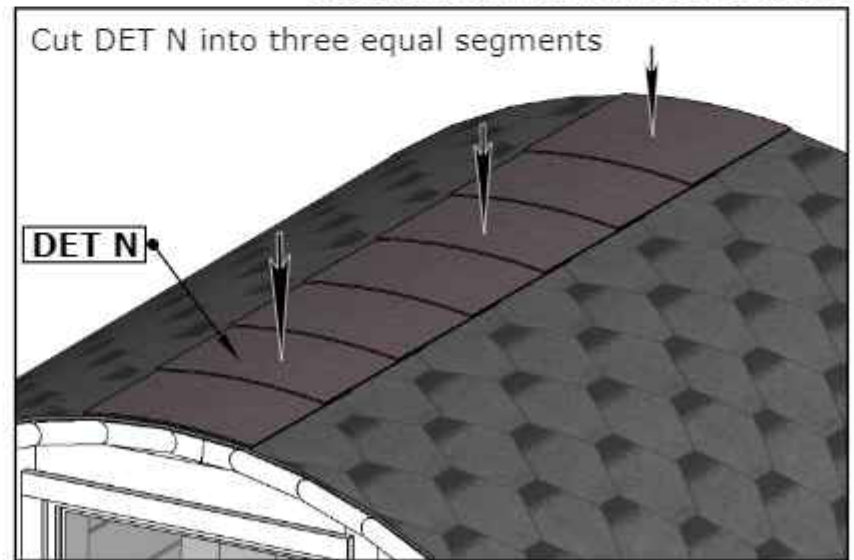
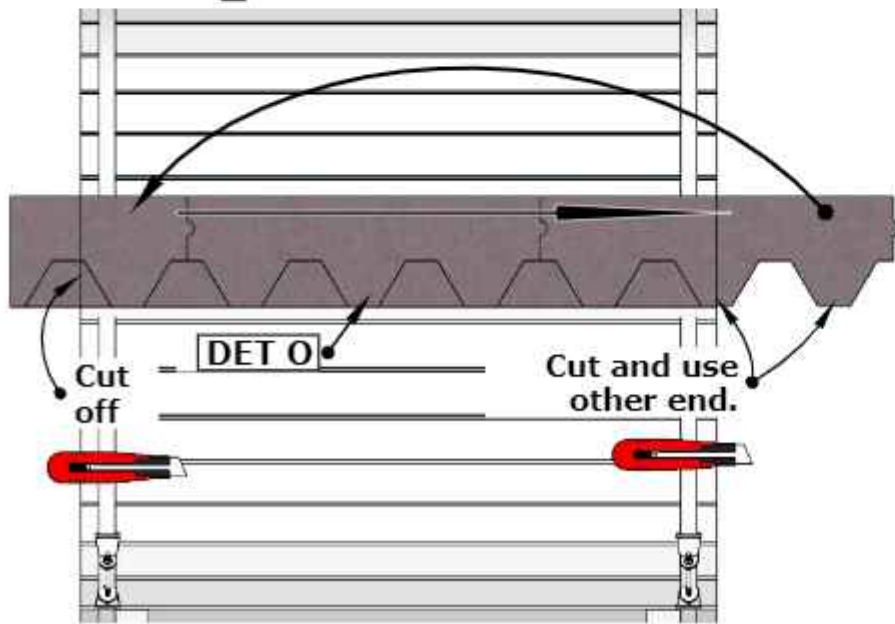
IV

E6 Barrel Sauna 59D" x 81H"

See the installation manual inside the shingles package



Check also roof shingles installation manual inside package.



E6 Barrel Sauna 59D" x 81H"

