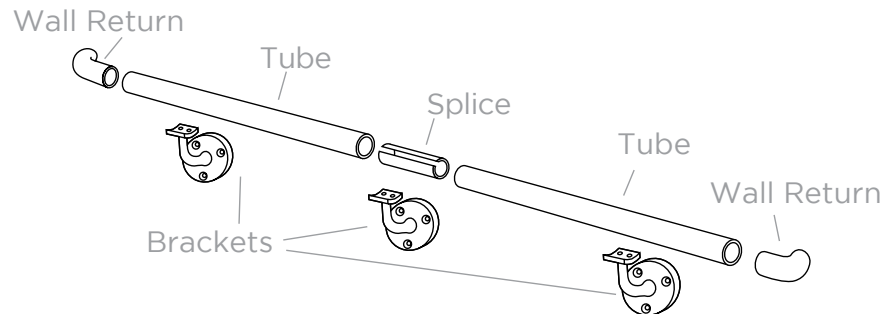
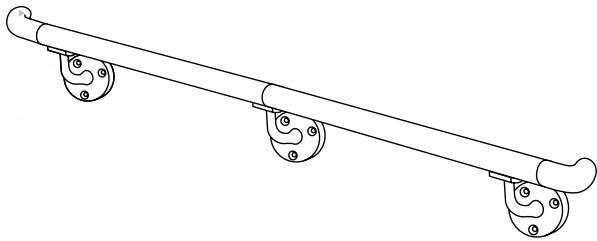


# Standard Handrail Kits

Handrail Kits Include all Necessary Components

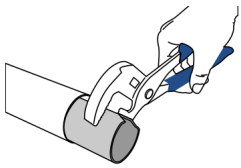
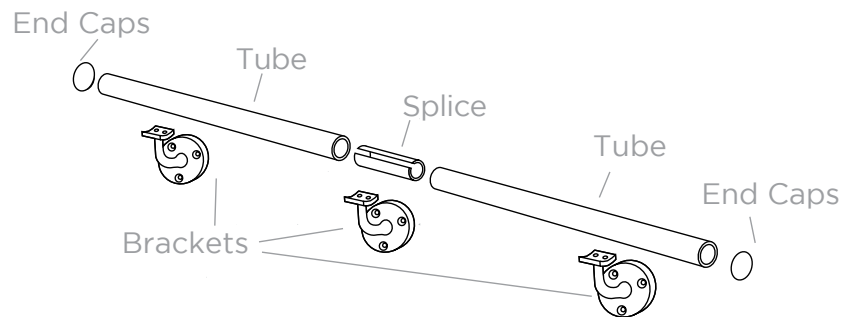
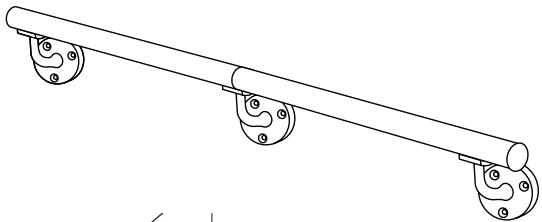
## With Wall Return

ASSEMBLED HANDRAIL



## With End Cap

ASSEMBLED HANDRAIL



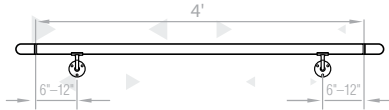
**TIP:** Use a wrench to crimp the splicer in order for it to fit inside the rail.

## Step-by-step instructions

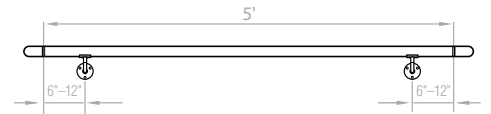
1. Mark the wall at regular intervals down the length of the stairs at a position 34" vertically from the pitch line.
2. Recommended spacing should not exceed 48".
3. Once you have the right height and position of the bracket, begin to attach the brackets loosely to the wall with one screw.
4. Place the tube on the brackets and adjust the brackets for proper angle before you securely tighten the brackets to the wall with the rest of the bracket screws.
5. Securely tighten tube to brackets with screws.

We recommend coating the inside of the end of your tubing with an adhesive, before inserting the end caps/wall returns for a permanent bond OR wrap the stem of the end caps/wall returns with masking tape or electrical tape several times before sliding it into the tubing for a snug fit."

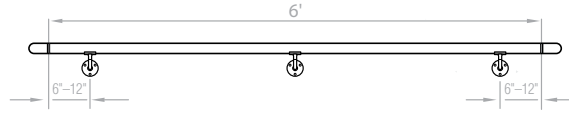
- 4-ft Handrail Kit
- 1- 4' tube
- 2 Brackets
- 2 Wall Returns / End Caps



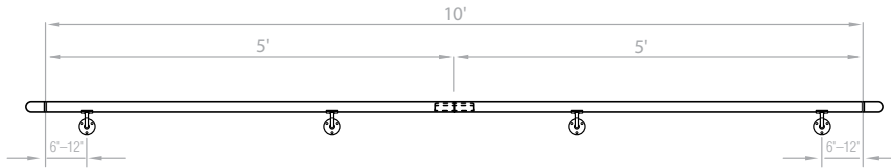
- 5-ft Handrail Kit
- 1- 5' tube
- 2 Brackets
- 2 Wall Returns / End Caps



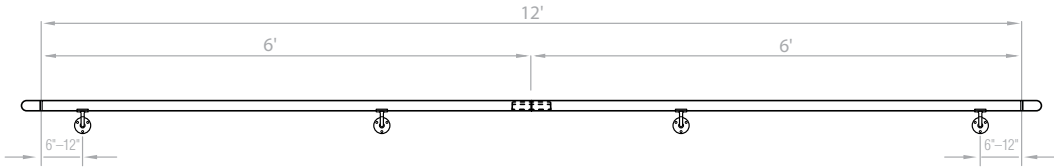
- 6-ft Handrail Kit
- 1- 6' tube
- 3 Brackets
- 2 Wall Returns / End Caps



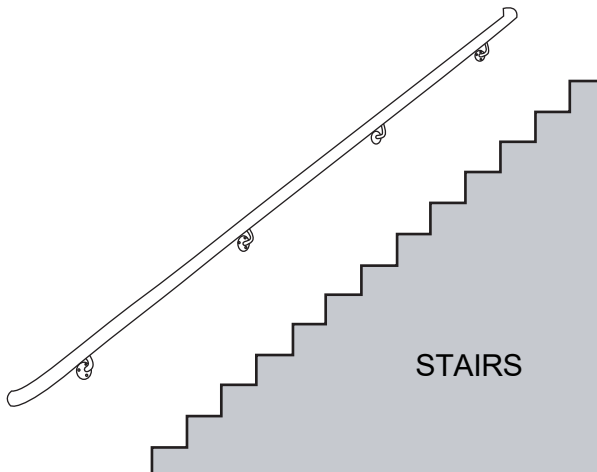
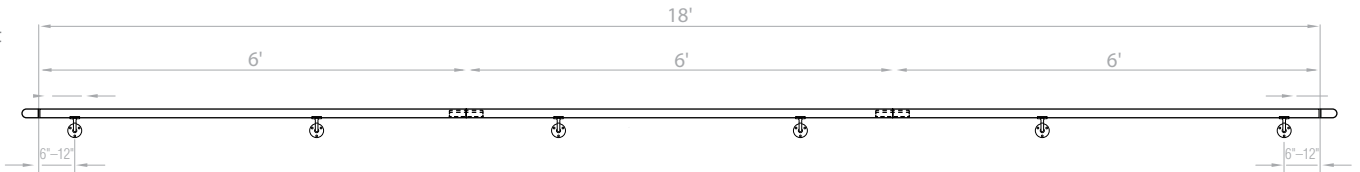
- 10-ft Handrail Kit
- 2- 5' tubes
- 4 Brackets
- 1 Splice
- 2 Wall Returns / End Caps



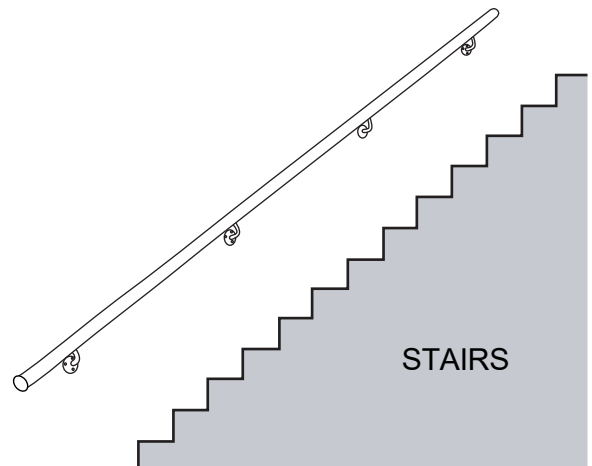
- 12-ft Handrail Kit
- 2- 6' tubes
- 4 Brackets
- 1 Splice
- 2 Wall Returns / End Caps



- 18-ft Handrail Kit
- 3- 6' tubes
- 6 Brackets
- 2 Splices
- 2 Wall Returns / End Caps



**Wall Return**



**End Caps**

For shipping, ease of assembly, and safety, larger tubes are split into smaller lengths