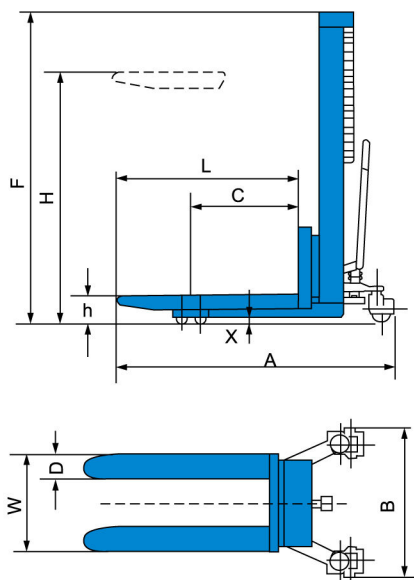


Hand Stacker PZ series

- ▲ Latest technology of hydraulic pump with less effort. Top quality German seal kit.
- ▲ Heavy duty 1 piece "C" section forks for greatest strength.
- ▲ Optional adjustable forks for wider applications.
- ▲ Economic and reliable.
- ▲ **Conforms to EN1757-1.**



Footpedal Lifting as option



PZ1015

i-Lift No.		1520501	1520502	1520503
Model		PZ1015	PZ1515	PZ2015
Capacity	(kg)(lb.)	1000(2200)	1500(3300)	2000(4400)
Load Centre	C (mm)(in.)		500 (20)	
Max. Fork Height	H (mm)(in.)		1500(60)	
Min. Fork Height	h (mm)(in.)	80(3.1)	85(3.3)	85(3.3)
Fork Length	L (mm)(in.)		1150(45.3)	
Fork Width	D (mm)(in.)	100(4)	120(4.7)	120(4.7)
Overall Fork Width	W (mm)(in.)	224-730(8.8-28.7)	252-900(10-35.4)	252-900(10-35.4)
Lifting Height Per Stroke	(mm)(in.)	12.5(0.5)	9(0.4)	7(0.3)
Ground Clearance	X (mm)(in.)	23(0.9)	24(0.9)	24(0.9)
Min. turning Radius (outside)	(mm)(in.)	1250(49.2)	1350(53.1)	1350(53.1)
Front Load Roller	(mm)(in.)	Φ80×43(3x1.7)	Φ80×70(3x2.8)	Φ80×70(3x2.8)
Steering Wheel	(mm)(in.)		Φ180×50(7x2)	
Overall Length	A (mm)(in.)	1660(65.4)	1715(67.5)	1765(69.8)
Overall Width	B (mm)(in.)	700(27.6)	940(37)	940(37)
Overall Height	F (mm)(in.)	1998(78.7)	1980(78)	1980(78)
Net Weight	(kg)(lb.)	180(396)	252(554.4)	284(624.8)

Note: Materials and specification are subject to change without notice.