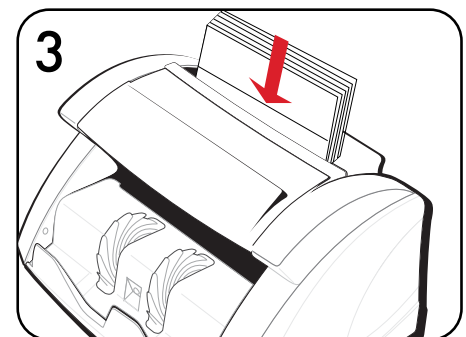
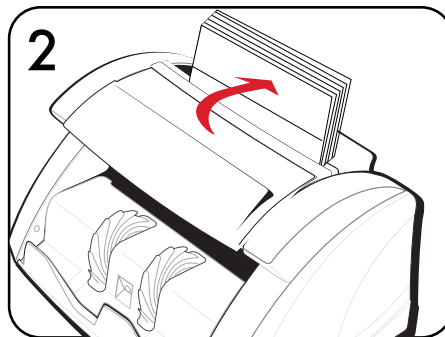
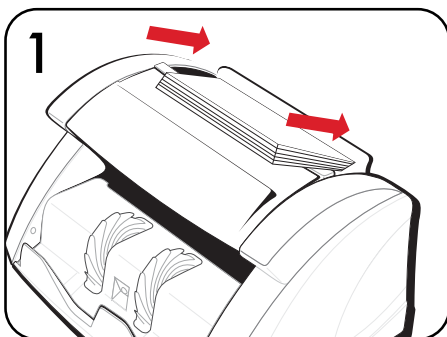


5520 Bill Loading Procedure

Jamming or mis-feeding may occur if the proper bill loading method is not used. See below for a description of the correct 5520 bill loading technique.

STEPS

1. Square the bill stack. Place the edge of the bill stack perpendicular to the bill guide plate.
2. Flip the bill stack towards the rear of the machine so the stack is now perpendicular.
3. Bill feeding will automatically begin.



NOTE:

Several factors can cause a Cassida 5520 to jam or not recognize genuine bills:

- Overly wrinkled, overly creased, overly worn, and vandalized bills
- Foreign objects dropped or run through the bill path
- Dropping the unit or bumping into the unit during use
- A harsh change in temperature
- Extended period of non-use
- Improper maintenance or lack of preventative maintenance/cleaning

CONTACT INFORMATION

Cassida Corporation
After Market Technical Services
Support: <http://www.cassidausa.com/support>
E-Mail: support@cassidausa.com