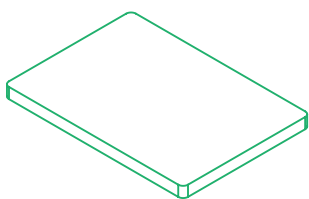


Lankai Tabouret

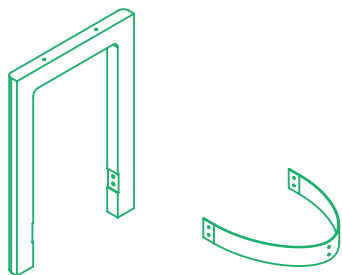
1x



1x



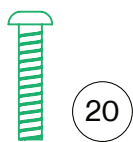
2x



4x



8x



2x

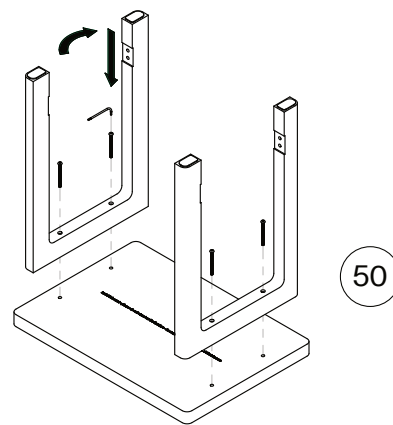


eisku

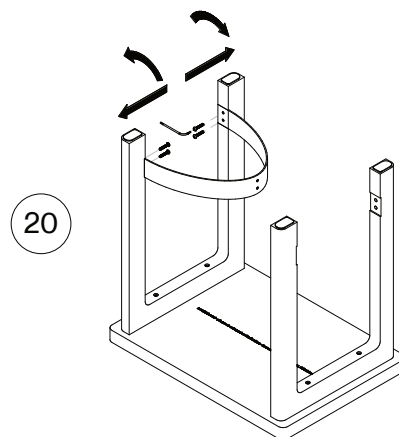


manual

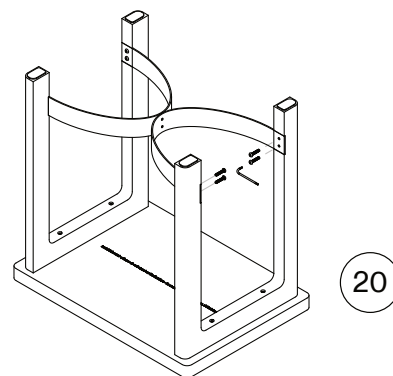
1.



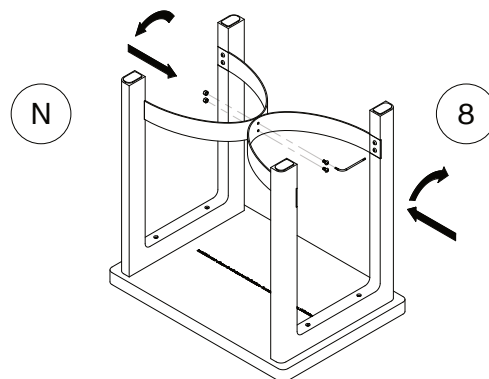
2.



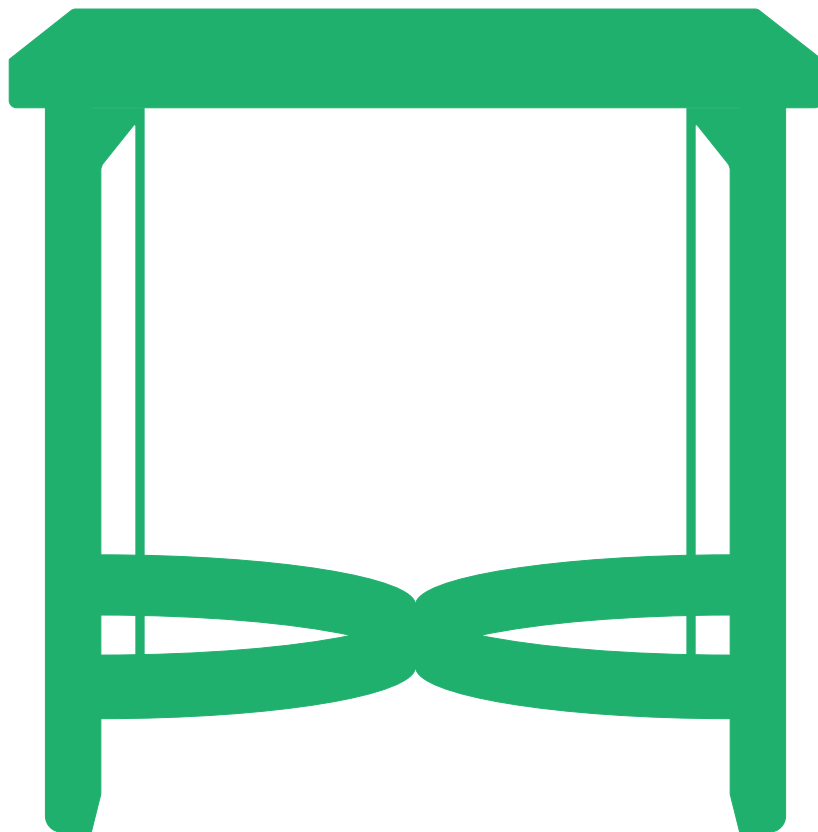
3.



4.



Lankai Tabouret



We want to express our gratitude for choosing eisku

Our team works diligently to ensure that the products we deliver exceed your expectations and that you will be satisfied with your purchase. You can rest easy knowing that we have you covered to deal with the typical damages that often occur during everyday usage. Our furniture is modular and fully separable, giving you the ability to effortlessly replace any damaged pieces or restore them with our comprehensive DIY guide and care kit. With a little bit of care, we are confident that our products will last for many years to come. As a Polish brand with a rich family tradition, we proudly produce all our furniture locally in the European Union and try to source materials as close to us as possible. Please remember that our furniture is made of natural wood, which varies in color and grain structure. If you have any questions about your purchase, we are always here to help. We want to provide you with the best possible service. Thank you again for choosing eisku!

eisku

for more information visit: www.eisku.com

Do not stand on the furniture.

Do not place hot or wet objects directly on the surface of the furniture.

Do not expose furniture to direct sunlight.

Furniture should be used in rooms where the temperature is from 15°C to 30°C, and the air humidity is in the range of 40% to 70%. Furniture should not be placed less than one meter from active heat sources.

Furniture should be cleaned with a dry, soft, and clean cloth. Before applying a cleaning agent, always pre-test it on an inconspicuous area on the furniture surface.

Furniture should not be exposed to prolonged contact with water or other liquids. Any spilled liquids should be removed immediately.

Surfaces of oiled furniture should be regularly maintained using care products for oiled furniture, adhering strictly to the producer's instructions.

Wooden or cork furniture undergoes a natural aging process as a result of which they can change their color.

warning