



GLASS DOOR MERCHANDISER

LG-430

Single Glass Swing Door Refrigerator



TECHNICAL SPECIFICATIONS

- Voltage/Frequency
115V/60Hz
- Refrigerant
R290
- Type of Defrost
Automatic
- Interior Finish
White
- Exterior Finish
Black
- Temperature Range °F
33 ~ 40°
- Compressor Power (HP)
1/5
- Nema Config.
NEMA5-15P



PRODUCT FEATURES

- The compressor is mounted in the bottom for better heat evaporation.
- Digital temperature controls with LED display for precise adjustment and automatic defrosting system.
- Temperature Range 33 ~ 40°F, with auto defrost function, which ensures optimal performance day-in and day-out.
- R290 Natural Refrigerant promotes faster cool down and efficient energy consumption.
- Interior and canopy LED light with switch on the right side to always show your products at their best
- High quality coated stainless adjustable shelves prevent peel and rust.
- Anti-fogging tempered glass door helps ensure a crystal clear view of the interior.



HIGH QUALITY & ROBUST DESIGN



Los Angeles | San Francisco | Dallas
Houston | Florida | Chicago | New Jersey

1-800-931-8628

@ info@dukersusa.com

www.DukersUSA.com

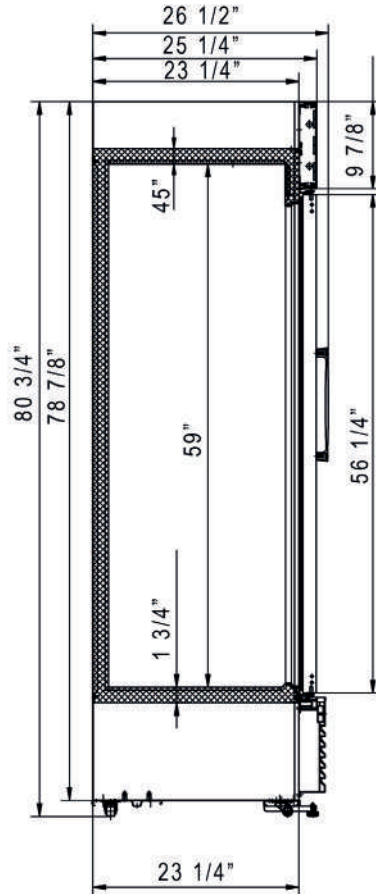
DETAILS & SPECIFICATIONS

LG-430

Front View

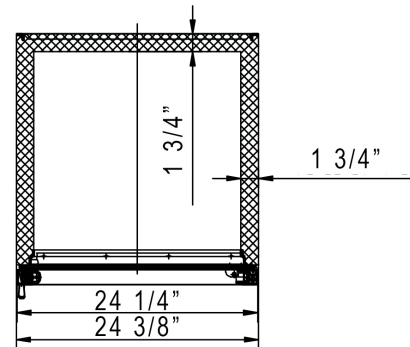


Side View



MODEL LG-430

Rated Voltage	115V
Rated Frequency	60Hz
Total Input Power	300W
Total Current	2.9A
Total Capacity	15.2cu ft
Climatic Category	4-5
Protection Type	I
Design Pressure High Side	300 PSIG
Design Pressure Low Side	150 PSIG
Insulation Blowing Gas	C-Pentane
Refrigerant	R290



MODEL	EXTERNAL DIMENSION WXDXH (INCHES)	PACKAGING DIMENSION WXDXH (INCHES)	PRODUCT NET WEIGHT	# OF SHELVES	40HQ CONTAINER CERT.
LG-430	24 3/8 x 26 1/2 x 80 3/4	25 3/8 x 27 1/2 x 81 3/4	214 lbs	4	51



Los Angeles | San Francisco | Dallas
Houston | Florida | Chicago | New Jersey

1-800-931-8628

@ info@dukersusa.com

www.DukersUSA.com