

Item # _____

Qty # _____

Model # _____

Project # _____



DUKERS

Quality Commercial Refrigeration



HOT PLATE EIGHT BURNER DCHPA48



Catch Tray



Surface



Legs



PRODUCT DESCRIPTION

- Stainless steel exterior and interior.
- 28,000 BTU stainless steel burners with standby pilot.
- Lift-off cast iron burner.
- Independent manual controls every 12".
- "Cool-to-the-touch" front s/s edge.
- Each hot plate is shipped with Standard Natural Gas, LP conversion kit.
- Adjustable, stainless steel legs standard.
- Full length seamless drip pan, easy to remove and clean.



HIGH QUALITY STAINLESS STEEL & ROBUST DESIGN

HOT PLATE
MODEL

DIMENSION

Width Depth Height

DCHPA48

48 in 28 3/4 in 13 3/8 in



DUKERS

Los Angeles | San Francisco | Dallas
Houston | Florida | Chicago | New Jersey

1-800-931-8628

@ info@dukersusa.com

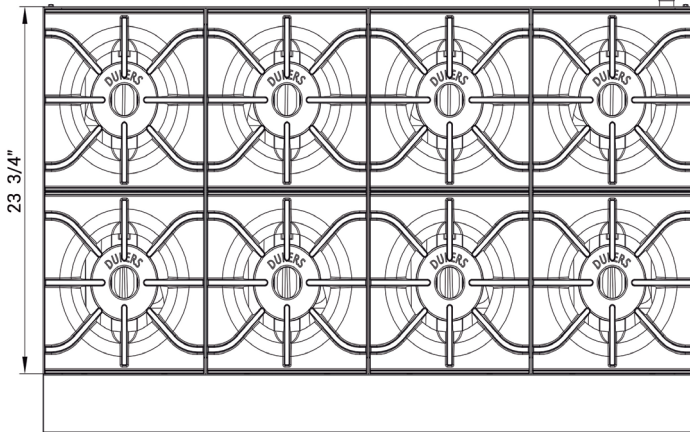
www.DukersUSA.com

DETAILS & SPECIFICATIONS

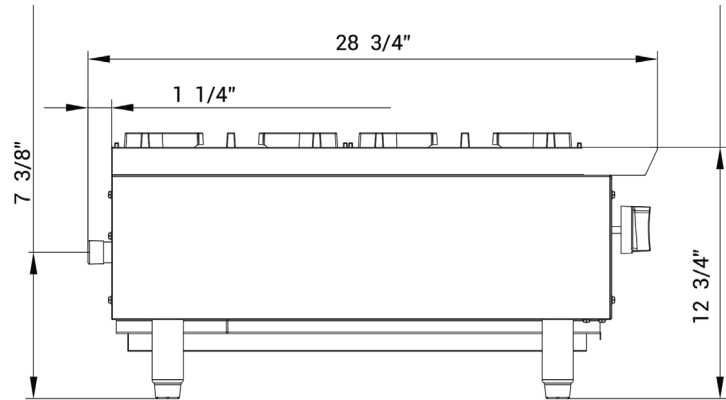
HOT PLATE DCHPA48

Top View

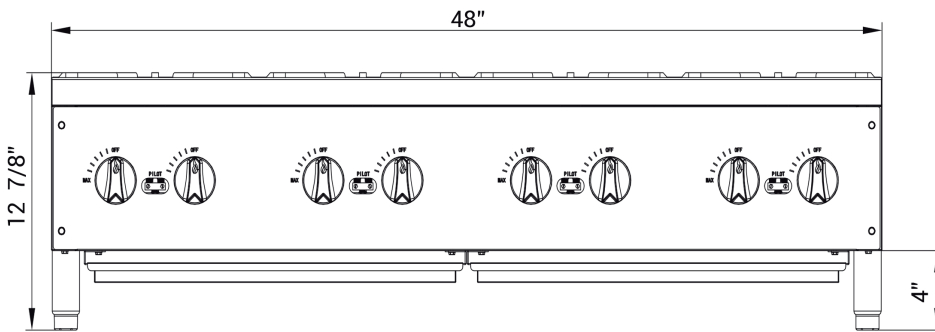
3/4" NPT Gas Inlet



Side View



Front View



DCHPA48

GAS SOURCE	NG/Propane
WORK AREA	47.80x23.62in
BURNER	8 count
SINGLE BURNER	28000 BTU/H
COMBINED	224000 BTU/H
GAS PRESSURE	NG: 4 "WC Propane: 10 "WC
NOZZEL	NG: 40# Propane: 52#

Model	Packaging Dimensions (inches)			Net Weight (lbs)	Ship Weight (lbs)
	W	D	H		
DCHPA48	50 1/4"	32 5/8"	17 3/4"	198.42	264.56



Los Angeles | San Francisco | Dallas
Houston | Florida | Chicago | New Jersey

1-800-931-8628

@ info@dukersusa.com

www.DukersUSA.com