

Item # _____
 Qty # _____
 Model # _____
 Project # _____



DUKERS
 Quality Commercial Refrigeration



GRIDDLE

DCGM36



Waste Tray



Oil Tray



PRODUCT DESCRIPTION

- ✦ Stainless steel exterior and interior.
- 🔥 30,000 BTU Burners per 12" section with standby pilots.
- 🕒 Independent manual controls every 12".
- 🍳 Heavy duty 3/4" thick polished steel griddle plate.
- 📏 Each griddle is shipped with Standard Natural Gas, LP conversion kit.
- 📏 Adjustable, stainless steel legs standard.
- 💡 Full length seamless drip pan, easy to remove and clean.



HIGH QUALITY STAINLESS STEEL & ROBUST DESIGN

* All measures are presented in Inches

| GRIDDLE MODEL | DIMENSION | | |
|---------------|-----------|-------|-----------|
| | Width | Depth | Height |
| DCGM36 | 36 in | 30 in | 15 1/4 in |



Los Angeles | San Francisco | Dallas
 Houston | Florida | Chicago | New Jersey

1-800-931-8628

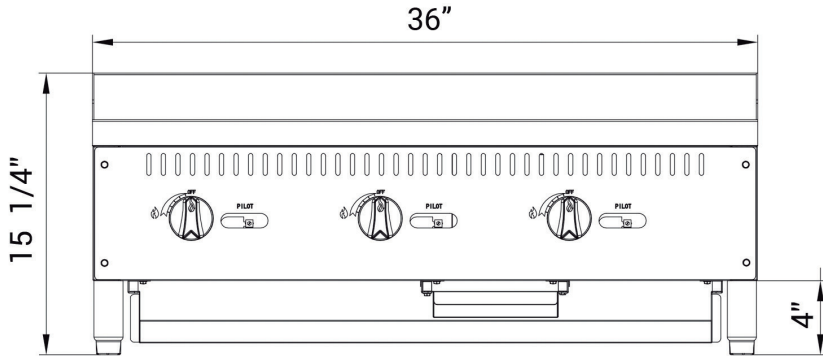
@ info@dukersusa.com

www.DukersUSA.com

DETAILS & SPECIFICATIONS

GRIDDLE DCGM36

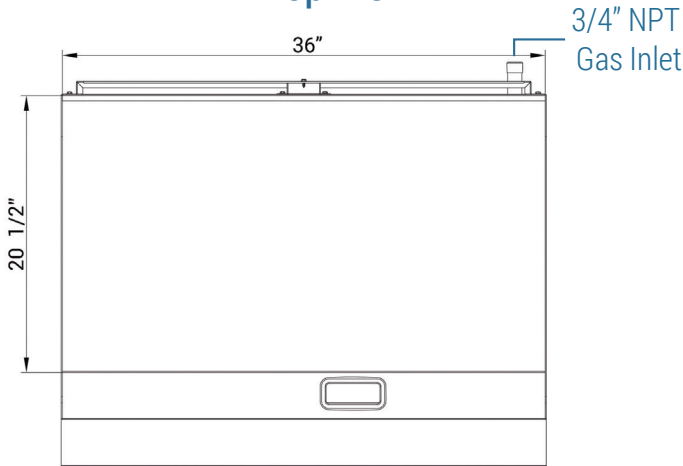
Front View



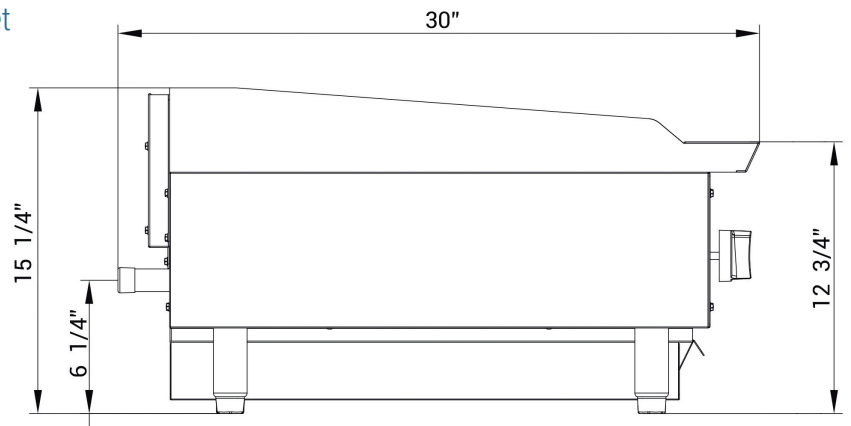
DCGM36

| | |
|-------------------|------------------------------|
| GAS SOURCE | NG/Propane |
| WORK AREA | 35.86" x 20.50" |
| BURNER | 3 count |
| SINGLE BURNER | 30000 BTU/H |
| COMBINED | 90000 BTU/H |
| GAS PRESSURE | NG: 4 "WC Propane: 10 "WC |
| NOZZEL | NG: 37# Propane: 51# |
| CONTAINER FITMENT | 140 |

Top View



Side View



| Model | Packaging Dimensions (inches) | | | Net Weight (lbs) | Ship Weight (lbs) |
|--------|-------------------------------|---------|---------|------------------|-------------------|
| | W | D | H | | |
| DCGM36 | 38 1/4" | 32 5/8" | 20 1/2" | 244.71 | 275.5 |



Los Angeles | San Francisco | Dallas
Houston | Florida | Chicago | New Jersey

1-800-931-8628

@ info@dukersusa.com

www.DukersUSA.com