



DUKERS
Quality Commercial Refrigeration

Item # _____

Qty # _____

Model # _____

Project # _____



FRYER

FIVE TUBE BURNER

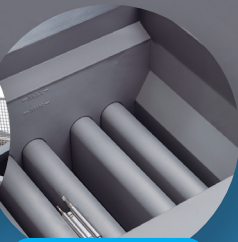
DCF5-LPG / DCF5-NG



Fryer Burner



Fryer Baskets



Oil Tank



PRODUCT DESCRIPTION

- Five highly efficient red tube, cast iron burners create a large heat-transfer area for reliable, even heat distribution. Our durable temperature probe senses temperature changes and activates a quick burner response.
- The temperature for the DCF5-LPG/DCF5-NG from 200°F (93°C) to 400°F (204°C). Includes Millivolt safety control system.
- Every inch of the frypot and cold zone can be cleaned and wiped down by hand.
- The large cold zone and forward sloping bottom help collect and remove sediment from the frypot to safeguard oil quality and support routine frypot cleaning.



HIGH QUALITY STAINLESS STEEL & ROBUST DESIGN

* All measures are presented in Inches

FRYER MODEL	DIMENSION		
	Width	Depth	Height
DCF5-NG	21 in	32 7/8 in	45 in
DCF5-LPG	21 in	32 7/8 in	45 in



Los Angeles | San Francisco | Dallas
Houston | Florida | Chicago | New Jersey

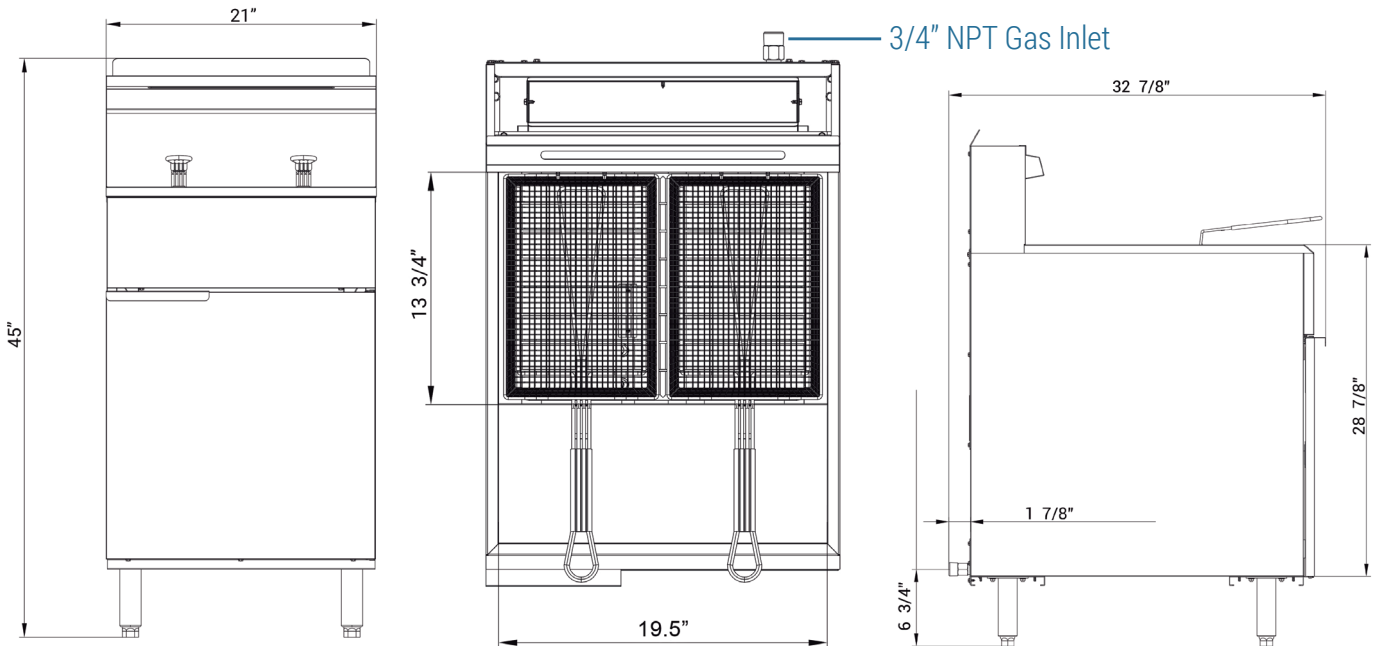
1-800-931-8628

@ info@dukersusa.com

www.DukersUSA.com

DETAILS & SPECIFICATIONS

FRYER DCF5-LPG / DCF5-NG



Front View

Top View

Side View

DCF5-LPG	
GAS SOURCE	LPG
WORK AREA	19.49x13.98in
BURNER	5 count
SINGLE BURNER	30000 BTU/H
COMBINED	150000 BTU/H
OIL TANK CAPACITY	70 lbs
GAS PRESSURE	10 "WC
NOZZEL	52#
CONTAINER FITMENT	92

DCF5-NG	
GAS SOURCE	NG
WORK AREA	19.49x13.98in
BURNER	5 count
SINGLE BURNER	30000 BTU/H
COMBINED	150000 BTU/H
OIL TANK CAPACITY	70 lbs
GAS PRESSURE	4 "WC
NOZZEL	39#
CONTAINER FITMENT	92

Model	Packaging Dimensions (inches)			Net Weight (lbs)	Ship Weight (lbs)
	W	D	H		
DCF5-LPG	23 3/8"	35 3/8"	37 5/8"	220.46	246.92
DCF5-NG	23 3/8"	35 3/8"	37 5/8"	220.46	246.92



Los Angeles | San Francisco | Dallas
Houston | Florida | Chicago | New Jersey

1-800-931-8628

@ info@dukersusa.com

www.DukersUSA.com