

Item # _____
 Qty # _____
 Model # _____
 Project # _____



DUKERS

Quality Commercial Refrigeration

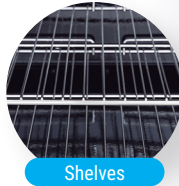


CONVECTION OVEN

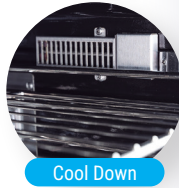
(Double Layer) DCCOG2+DCCOG



Speed-fan



Shelves



Cool Down



PRODUCT DESCRIPTION

- Elegant stainless steel exterior for easy cleaning.
- Durable double-pane glass with independent doors.
- Electronic spark ignition with an automatic pilot system with safety shut off.
- Oven temperature range between 175°F to 500°F
- Two speed-fan with adjustable cool down mode.
- Includes Ten adjustable shelves.
- Double-stacking options to optimize your kitchen space



HIGH QUALITY STAINLESS STEEL & ROBUST DESIGN

| GAS RANGE MODEL | DIMENSION | | |
|-----------------|-----------|-----------|-----------|
| | Width | Depth | Height |
| DCCOG2+DCCOG | 38 in | 39 3/4 in | 68 1/2 in |



DUKERS

Los Angeles | San Francisco | Dallas
 Houston | Florida | Chicago | New Jersey

1-800-931-8628

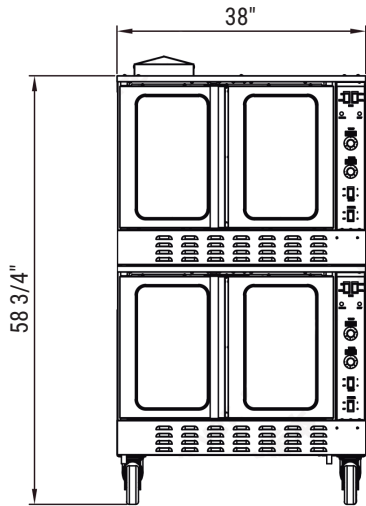
@ info@dukersusa.com

www.DukersUSA.com

DETAILS & SPECIFICATIONS

DCCOG2+DCCOG

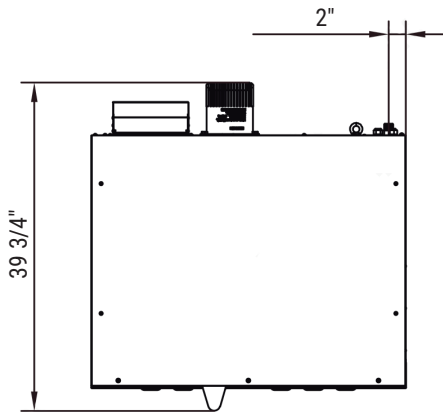
Front View



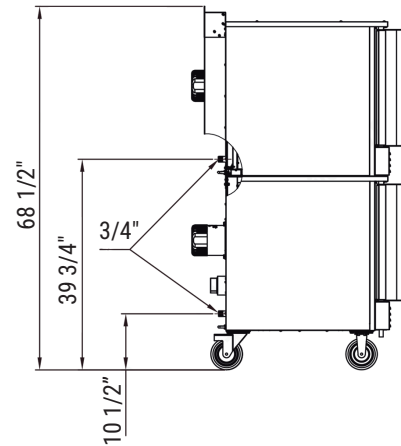
DCCOG2+DCCOG

| | |
|-------------------|--------------------------|
| GAS SOURCE | LGP/NG |
| POWER (W) | 887 x 2 |
| BURNER | 3 x 2 count |
| SINGLE BURNER | 18000 BTU/H |
| TOTAL OUTPUT | 54000 x 2 BTU/H |
| GAS PRESSURE | NG: 4 "WC LGP: 10 "WC |
| NOZZLE | 55/45 |
| CONTAINER FITMENT | 18 |

Top View



Side View



| Model | Packaging Dimensions (inches) | | | Net Weight (lbs) | Ship Weight (lbs) |
|--------------|-------------------------------|---------|---------|------------------|-------------------|
| | W | D | H | | |
| DCCOG2+DCCOG | 41 7/10" | 45 3/5" | 75 1/2" | 365 | 540 |



Los Angeles | San Francisco | Dallas
Houston | Florida | Chicago | New Jersey

1-800-931-8628

@ info@dukersusa.com

www.DukersUSA.com