

Item # \_\_\_\_\_

Qty # \_\_\_\_\_

Model # \_\_\_\_\_

Project # \_\_\_\_\_



# DUKERS

Quality Commercial Refrigeration



## CONVECTION OVEN DCCOG1



Speed-fan



Shelves



Cool Down



### PRODUCT DESCRIPTION

- ✦ Elegant stainless steel exterior for easy cleaning.
- 🔒 Durable double-pane glass with independent doors.
- 🔥 Electronic spark ignition with an automatic pilot system with safety shut off.
- 🌡️ Oven temperature range between 175°F to 500°F
- 🕒 Two speed-fan with adjustable cool down mode.
- 📏 Includes Ten adjustable shelves.
- 📦 Double-stacking options to optimize your kitchen space



### HIGH QUALITY STAINLESS STEEL & ROBUST DESIGN

GAS RANGE MODEL	DIMENSION		
	Width	Depth	Height
DCCOG1	38 in	39 3/4 in	31 3/4 in



Los Angeles | San Francisco | Dallas  
Houston | Florida | Chicago | New Jersey

📞 1-800-931-8628

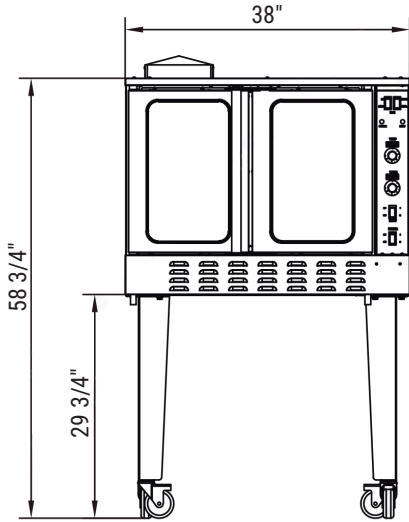
@ [info@dukersusa.com](mailto:info@dukersusa.com)

[www.DukersUSA.com](http://www.DukersUSA.com)

# DETAILS & SPECIFICATIONS

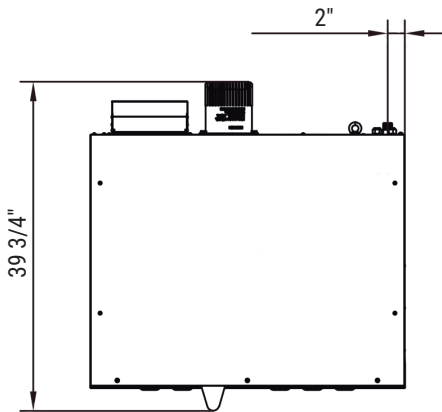
## DCCOG1

Front View

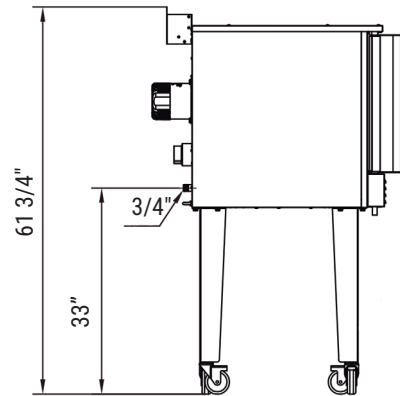


DCCOG1	
GAS SOURCE	LGP/NG
POWER (W)	887
BURNER	3 count
SINGLE BURNER	18000 BTU/H
TOTAL OUTPUT	54000 BTU/H
GAS PRESSURE	NG: 4 "WC LGP: 10 "WC
NOZZLE	55/45
CONTAINER FITMENT	44

Top View



Side View



Model	Packaging Dimensions (inches)			Net Weight (lbs)	Ship Weight (lbs)
	W	D	H		
DCCOG1	41 7/10"	45 3/5"	44"	195	285



Los Angeles | San Francisco | Dallas  
Houston | Florida | Chicago | New Jersey

1-800-931-8628

@ info@dukersusa.com

www.DukersUSA.com