








CHEF BASE

MODEL DCB36



PRODUCT FEATURES

-  Digital temperature control features a digital display to make monitoring interior temperatures a breeze. This unit also comes with an auto-defrost function.
-  Foamed-in-place insulation keeps the interior cold and adds structural strength.
-  Stainless steel Interior with rounded corner for easy cleaning. Meet and exceed sanitation standards.
-  Durable and high weight bearing rails for drawers.
-  Heavy-duty 4" casters with brakes are included providing the unit with convenient mobility, making cleaning and servicing a breeze! Just roll the unit away from the wall.
-  Ergonomic and modern recess door handles.
-  Removable Drawer Gaskets, each drawer gasket is removable for easy cleaning and maintenance.



TECHNICAL SPECIFICATIONS

- Voltage/Frequency 115V/60HZ
- Refrigerant R290/1.76oz
- Type of Defrost Automatic
- Interior Material 304/201 Stainless Steel
- Exterior Material 304/201 Stainless Steel
- Total Current 1.7A
- Climatic Category 4-5
- Nema Config. NEMA5-15P

TEMPERATURE RANGE (F°)	EXTERNAL DIMENSION WXD XH (INCHES)	PACKAGING DIMENSION WXD XH (INCHES)	PRODUCT NET WEIGHT	DRAWERS	40 HQ CONTAINER CERTIFICATION
33~38°F	36"x32 1/4"x26 5/8"	54 1/8"x34 1/4"x29 1/8"	176 lbs	2	78

* All measures are presented in inches and pounds



HIGH QUALITY STAINLESS STEEL & ROBUST DESIGN



Los Angeles | San Francisco | Dallas
Houston | Florida | Chicago | New Jersey

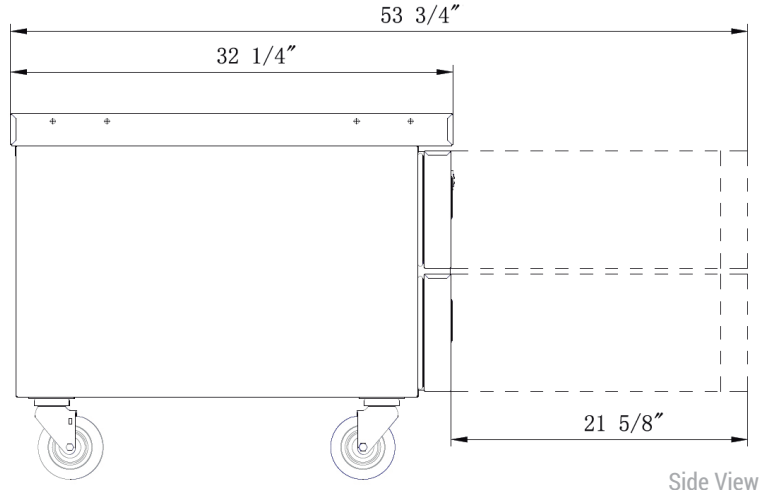
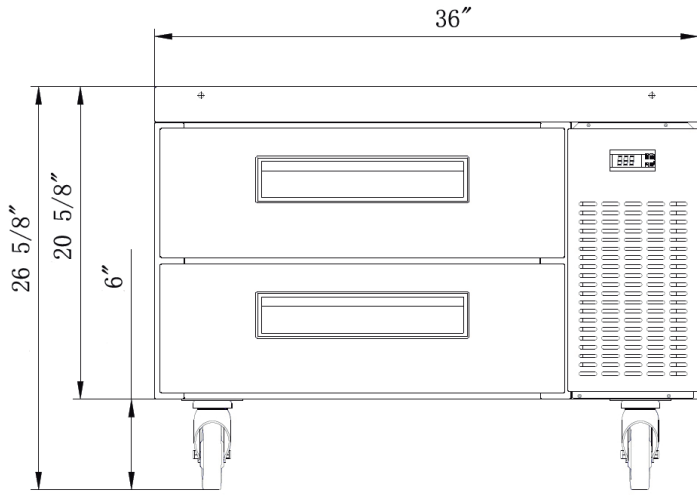
1-800-931-8628

@ info@dukersusa.com

www.DukersUSA.com

DETAILS & SPECIFICATIONS

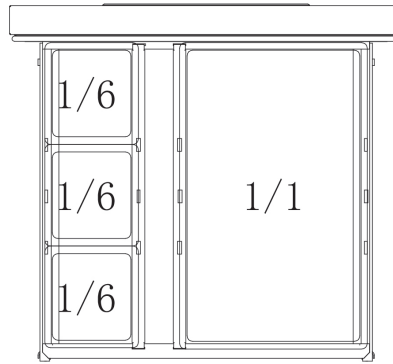
CHEF BASE



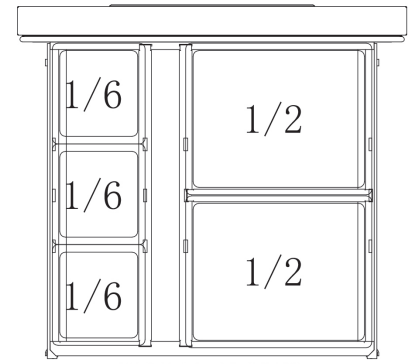
Side View

MODEL DCB36

Rated Voltage	115V
Rated Frequency	60Hz
Total Input Power	200W
Total Current	1.7A
Climatic Category	4-5
Protection Type	I
Design Pressure High Side	300 PIG
Design Pressure Low Side	150 PIG
Insulation Blowing Gas	C-Pentane
Net Weight	176 lbs
Nema Config.	NEMA5-15P
Temperature Range	33~38°F
Heating Power	192.9W
40 HQ Container Certification	78
Refrigerant	R290/1.76 oz
1/6 Pan Count	9

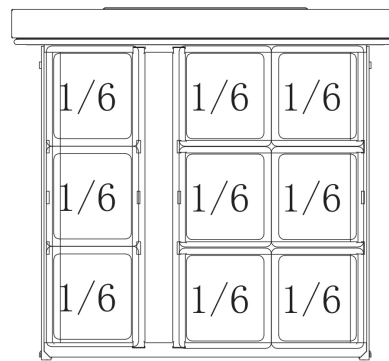


FULL PANS



HALF PANS

Pan Layout



SIXTH PANS



Los Angeles | San Francisco | Dallas
Houston | Florida | Chicago | New Jersey

1-800-931-8628

@ info@dukersusa.com

www.DukersUSA.com