



DUKERS
Quality Commercial Refrigeration



BACK BAR COOLER

MODEL DBB72-S3

Sliding Glass Door



TECHNICAL SPECIFICATIONS

Voltage/Frequency	115V/60Hz
Refrigerant	R290
Type of Defrost	Automatic
Interior Material	Stainless Steel
Exterior Material	Black Textured Finish
Temperature Range °F	33 ~ 38°F
Compressor Power (HP)	1/3
Nema Config.	NEMA5-15P



PRODUCT FEATURES



The side mount compressor structure is placed in an easy access area, provides quick and convenient access.



R290 Natural Refrigerant promotes faster cool down and efficient energy consumption.



Precision digital temperature controls allow pinpoint accuracy with temperatures from 33-38°F.



Stainless steel top, sealed interior floors, and rounded cabinet corners for easy cleaning.



Adjustable, heavy-duty epoxy coated shelves.



Constructed of commercial-grade body panels in black textured finish to fit all decors and living spaces.



Featured in a large size and double pane tempered glass block UV light to safely keep all types of drinks ready to serve.



LED interior lighting for bright product display.



Optional casters with breaks available upon request for better cleaning and mobility.



HEAVY-DUTY CABINET FRAME & ROBUST DESIGN



DUKERS

Los Angeles | San Francisco | Dallas
Houston | Florida | Chicago | New Jersey

1-800-931-8628

@ info@dukersusa.com

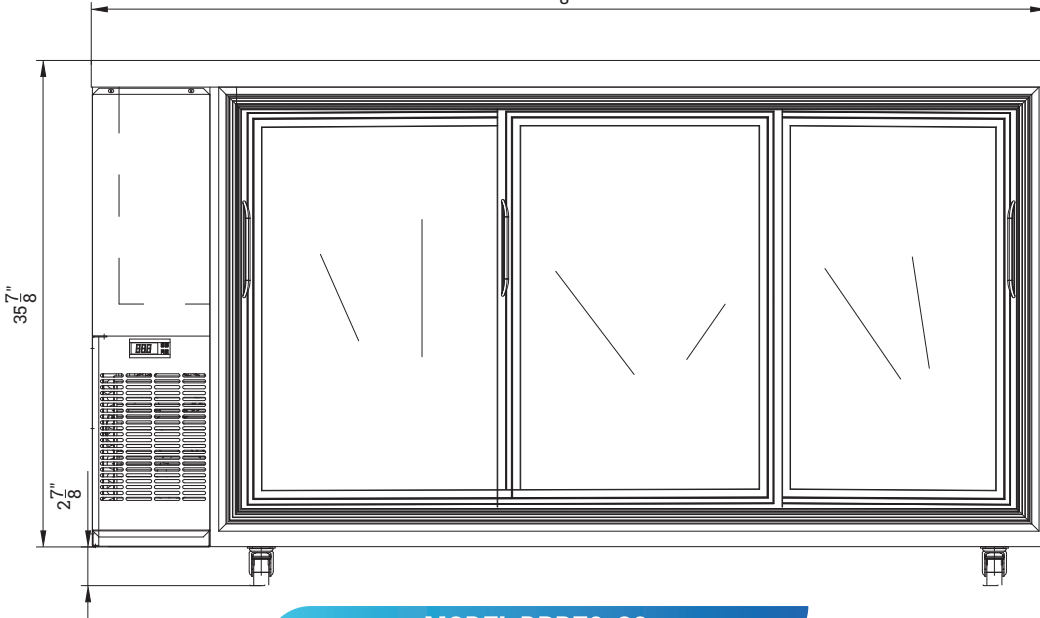
www.DukersUSA.com

DETAILS & SPECIFICATIONS

BACK BAR COOLER

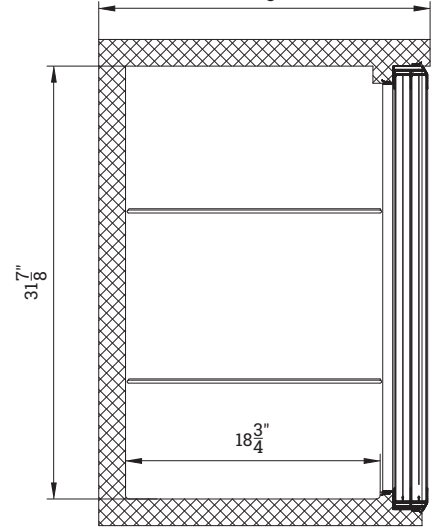
Front View

70³/₈"



Side View

24³/₈"



MODEL DBB72-S3

Rated Voltage	115V
Rated Frequency	60Hz
Total Input Power	292W
Total Current	2.76A
Total Capacity	19.2 cu ft
Climatic Category	4-5
Protection Type	I
Design Pressure High Side	385 PSIG
Design Pressure Low Side	150 PSIG
Insulation Blowing Gas	C-Pentane
Refrigerant	R290/3.88 oz



115/60/1
NEMA-5-15P



Intertek



Intertek



MODEL	EXTERNAL DIMENSION WXDXH (INCHES)	PACKAGING DIMENSION WXDXH (INCHES)	PRODUCT NET WEIGHT	# OF SHELVES	40FT (PCS)
DBB72-S3	70 3/8"x24 3/8"x38 3/4"	75 3/8"x26 3/8"x43 1/4"	264 lbs	6	36



Los Angeles | San Francisco | Dallas
Houston | Florida | Chicago | New Jersey

1-800-931-8628

info@dukersusa.com

www.DukersUSA.com