



REACH IN REFRIGERATOR

D28AR

Top Mounted / Solid Door



i TECHNICAL SPECIFICATIONS

- Voltage/Frequency 115V/60Hz
- Refrigerant R290
- Type of Defrost Automatic
- Interior Material Stainless Steel
- Exterior Material Stainless Steel
- Temperature Range °F 33 ~ 41°F
- Compressor Power (HP) 1/5
- Nema Config. NEMA5-15P



PRODUCT FEATURES

- The compressor is mounted in the top and placed in the coolest possible area; this makes it easily accessible for servicing.
- Digital temperature controls with LED display for precise adjustment and automatic defrosting system.
- Temperatures in the cabinet range from 33 to 41 degrees Fahrenheit
- Self closing doors with stay open feature.
- R290 Natural Refrigerant promotes faster cool down and efficient energy consumption.
- Epoxy coated wire shelves.
- Stainless steel interior & exterior, sealed interior floors, and rounded cabinet corners for easy cleaning.
- High quality coated stainless adjustable shelves prevent peel and rust.
- Lifetime warranty on hinges.
- Adjustable front locking casters.



HIGH QUALITY STAINLESS STEEL & ROBUST DESIGN



Los Angeles | San Francisco | Dallas
Houston | Florida | Chicago | New Jersey

1-800-931-8628

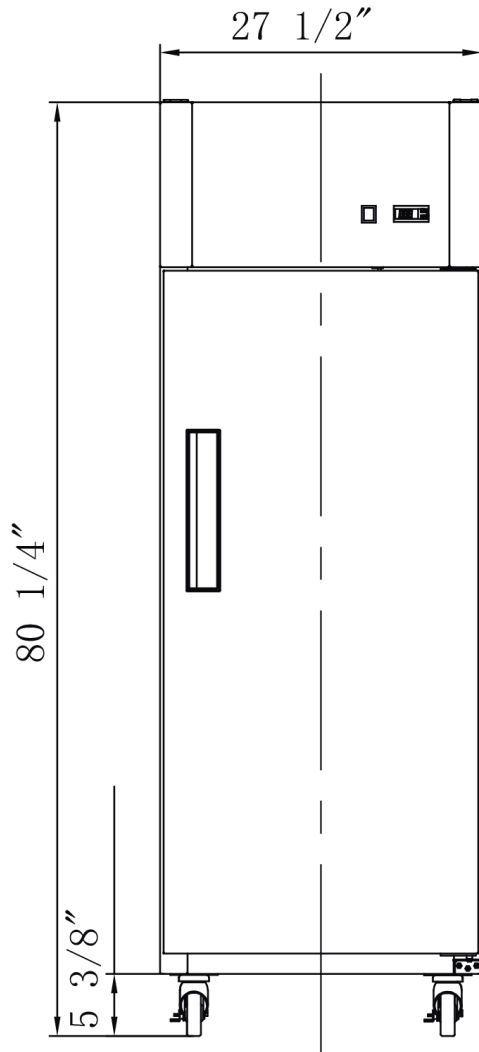
@ info@dukersusa.com

www.DukersUSA.com

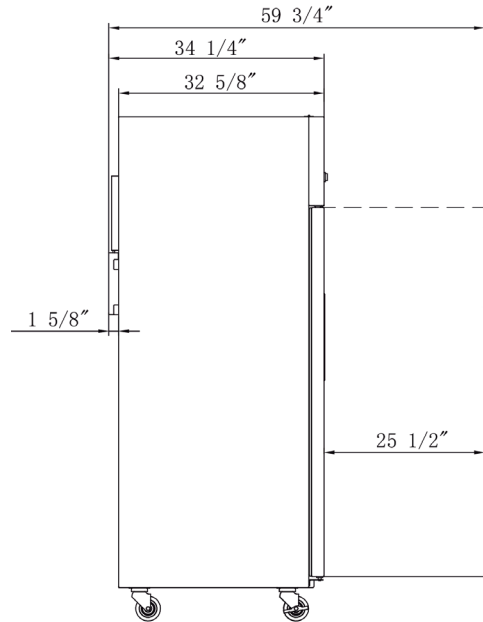
DETAILS & SPECIFICATIONS

D28AR

Front View



Side View



MODEL D28AR

Rated Voltage	115V
Rated Frequency	60Hz
Total Input Power	260W
Total Current	3.1A
Total Capacity	18.31 cu ft
Climatic Category	4-5
Protection Type	I
Design Pressure High Side	300 PSIG
Design Pressure Low Side	150 PSIG
Insulation Blowing Gas	C-Pentane
Refrigerant	R290/3.17 oz

MODEL	EXTERNAL DIMENSION WXDXH (INCHES)	PACKAGING DIMENSION WXDXH (INCHES)	PRODUCT NET WEIGHT	# OF SHELVES	40HQ CONTAINER CERT.
D28AR	27 1/2 x 34 1/2 x 80 3/8	29 1/8 x 35 3/8 x 84 3/8	286 lbs	4	39



Los Angeles | San Francisco | Dallas
Houston | Florida | Chicago | New Jersey

1-800-931-8628

@ info@dukersusa.com

www.DukersUSA.com