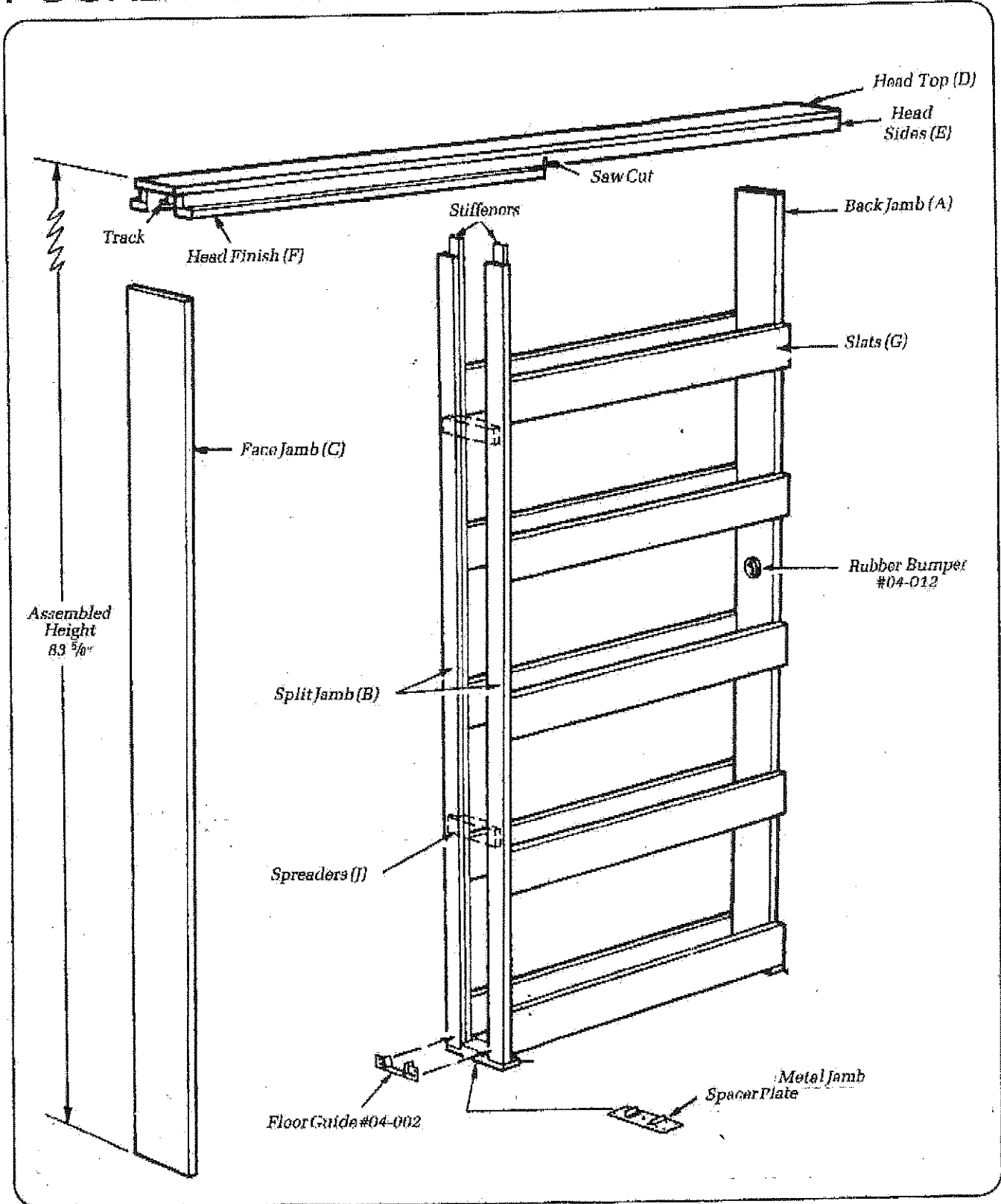


# POCKET DOOR FRAME

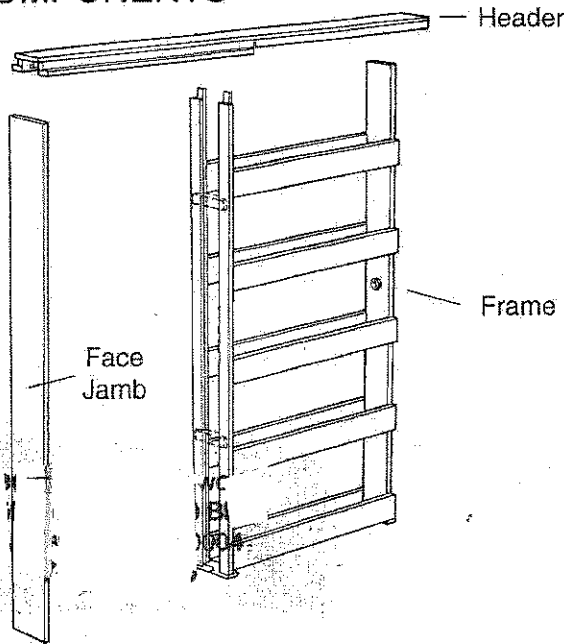
## CUTTING SCHEDULE AND ASSEMBLY DETAIL



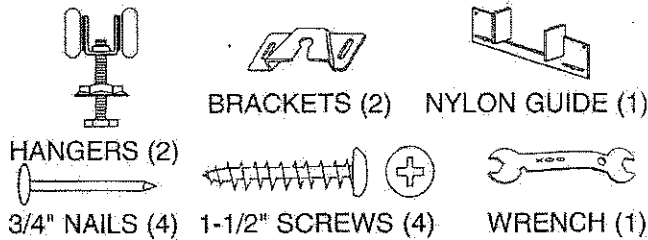
# Pocket Door Frame Installation Instructions

For 1-3/8" doors

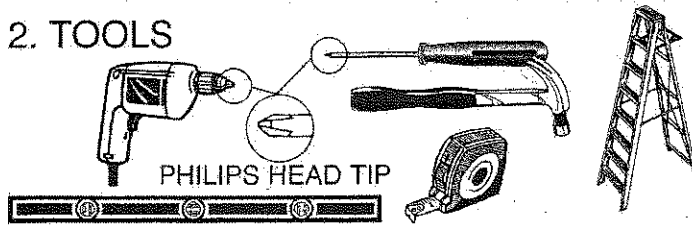
## 1. COMPONENTS



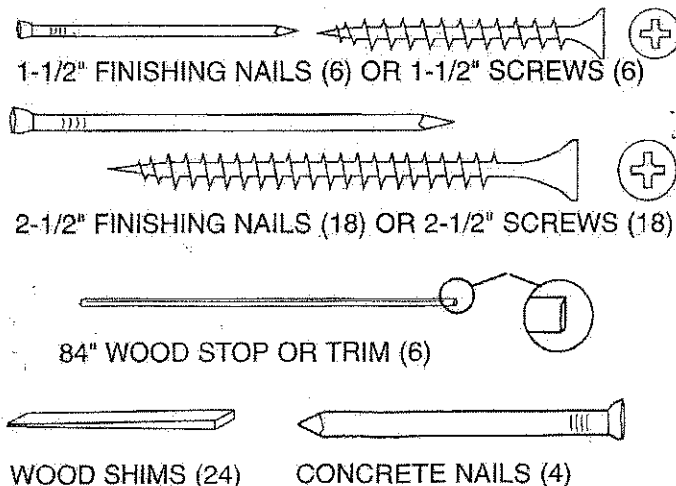
### COX HARDWARE COMPONENTS (POLY BAG)



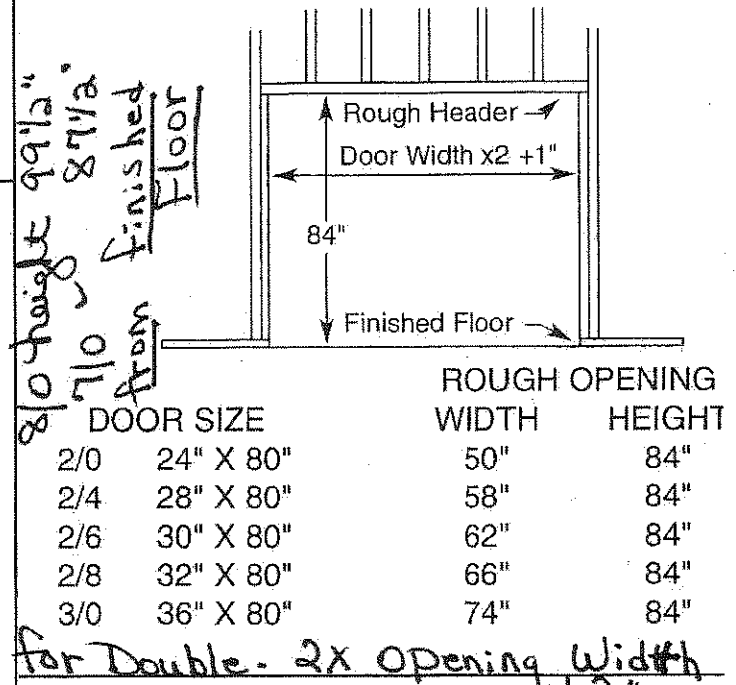
## 2. TOOLS



## 3. ADDITIONAL SUPPLIES

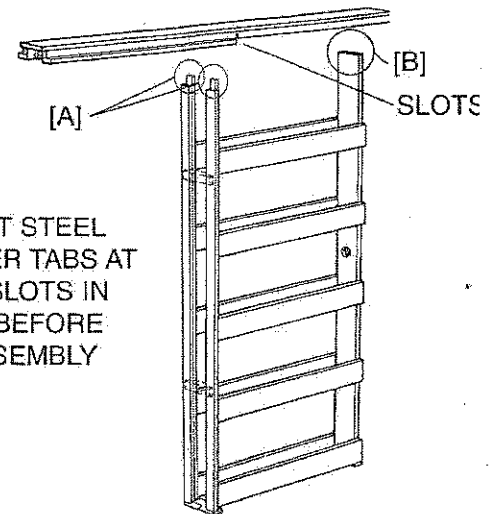


## 4. CHECK ROUGH OPENING DIMENSIONS



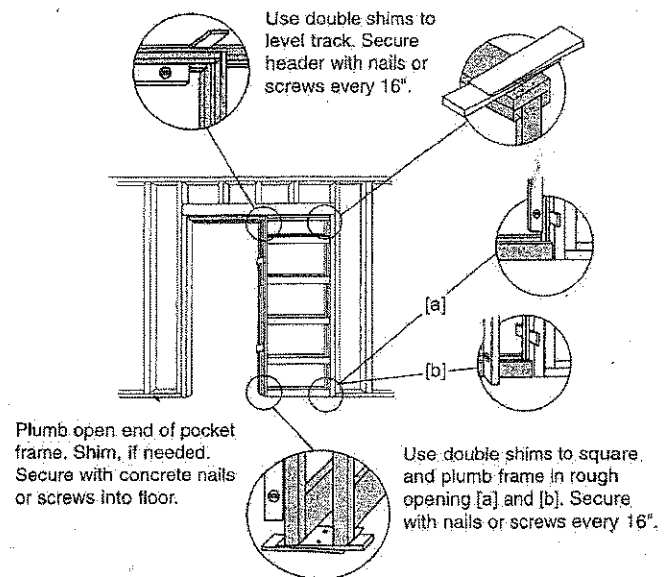
## 5. ATTACH HEADER TO FRAME

(USE 1-1/2" NAILS OR SCREWS AT [A] AND [B])

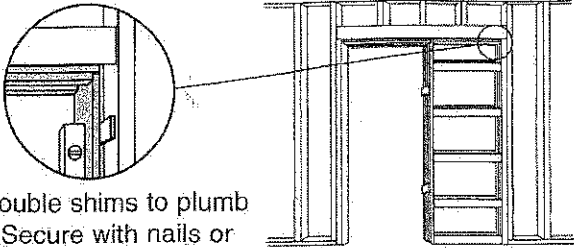


NOTE: INSERT STEEL STIFFENER TABS AT [A] INTO SLOTS IN HEADER BEFORE FINAL ASSEMBLY

## 6. INSTALL FRAME INTO OPENING



## 7. INSTALL FACE JAMB

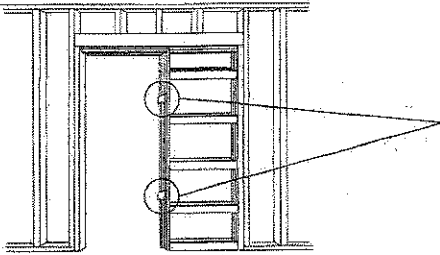


Use double shims to plumb jamb. Secure with nails or screws every 16".

## 8. DRYWALL INSTALLATION

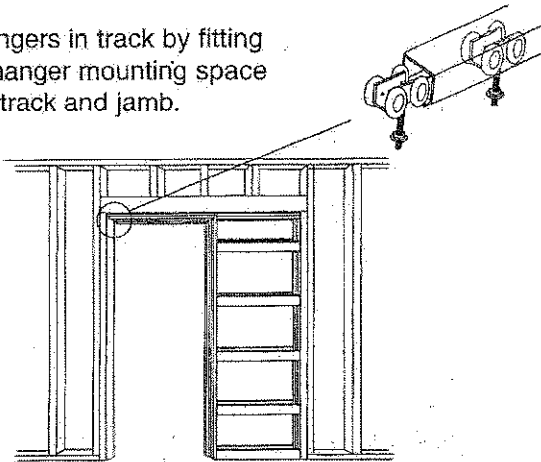
**IMPORTANT:** must be installed using 3/4" drywall nails or 3/4" drywall screws to prevent interference with operation of door.

## 9. REMOVE FRAME SHIPPING SPACERS

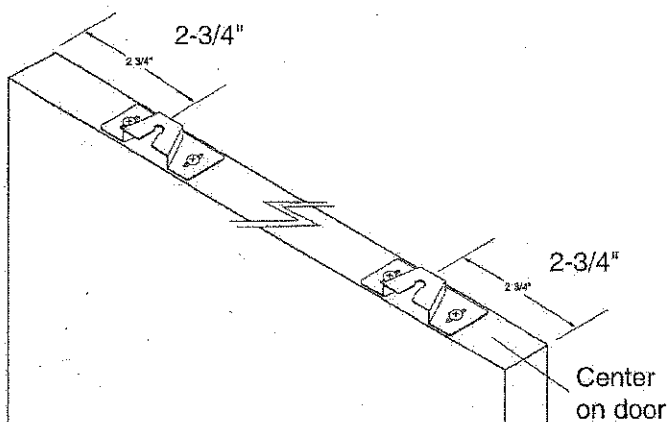


## 10. INSTALL HANGERS INTO TRACK

Place hangers in track by fitting through hanger mounting space between track and jamb.



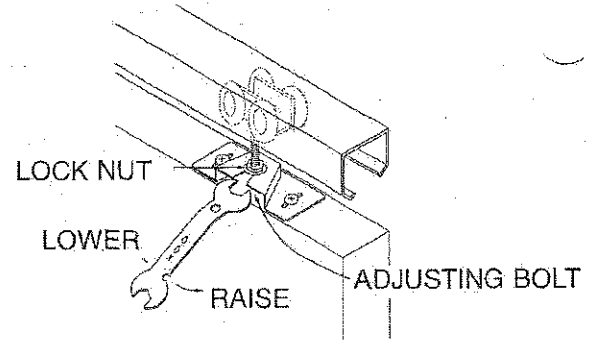
## 11. INSTALL HANGER BRACKETS



Screw brackets to top of door, 2-3/4" from edge of door, using 1-1/2" screws.

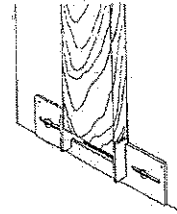
## 12. INSTALL AND ADJUST DOOR

Attach bracket to hanger by lifting door and inserting adjusting bolt into slot until bolt head becomes seated. Align doors by turning adjusting bolt with wrench.



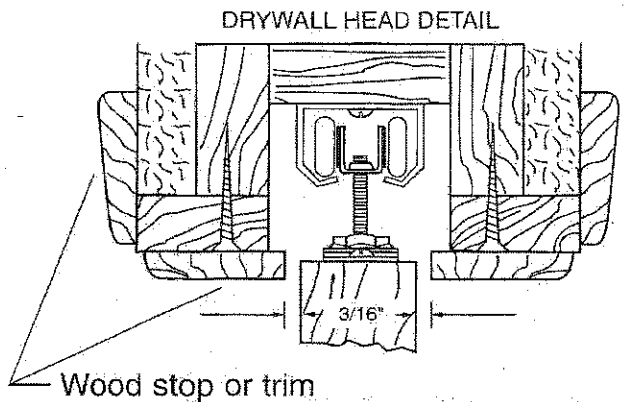
After final adjustment, tighten lock nut down to bracket as shown.

## 13. INSTALL NYLON GUIDE

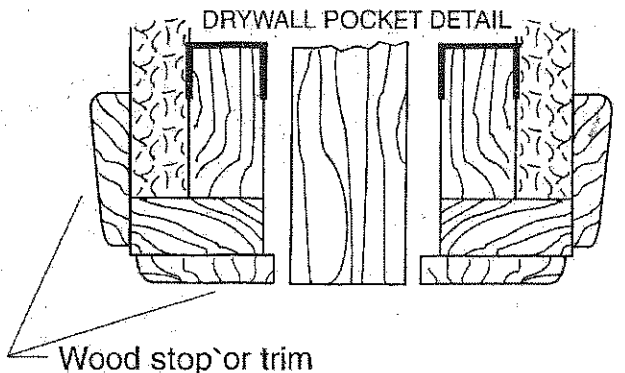


Nail nylon guide No. 04-002 to split jamb as shown, centering door in pocket.

## 14. INSTALL STOP OR TRIM



Wood stop or trim



Wood stop or trim

Install trim around pocket frame as for a standard hinged door, covering outer tabs of No. 04-002 guide.