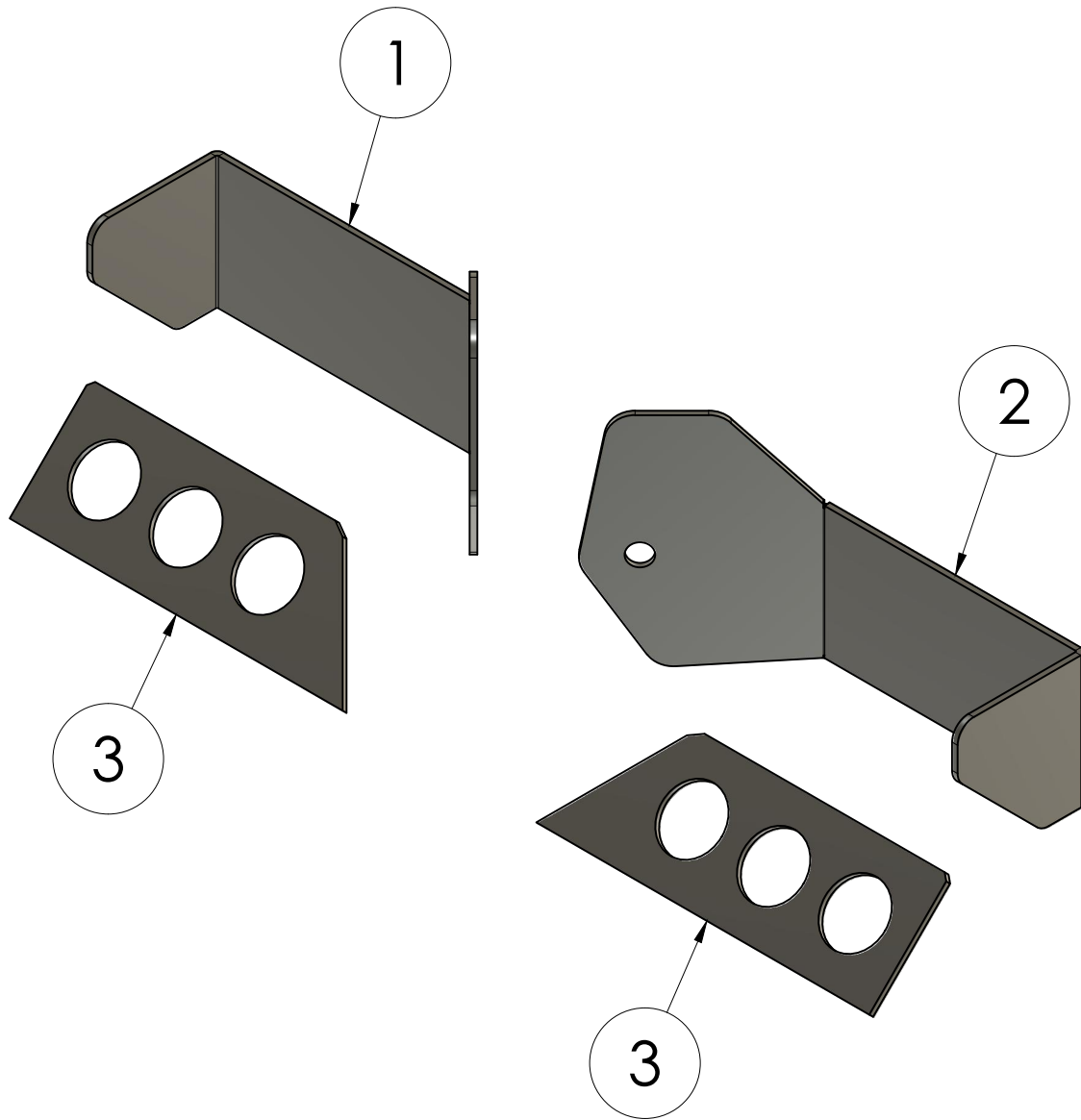


PARTS LIST

ITEM	QTY	PART NUMBER	DESCRIPTION	MATERIAL
1	1	30021-1	FRAME PLATE (LEFT)	.125" STEEL
2	1	30021-2	FRAME PLATE (RIGHT)	.125" STEEL
3	2	30021-3	GUSSET PLATE	.125" STEEL



PROPRIETARY AND CONFIDENTIAL:
 THE INFORMATION CONTAINED IN
 THIS DRAWING IS THE SOLE
 PROPERTY OF JT RACESHOP, LLC.
 ANY REPRODUCTION IN PART OR
 AS A WHOLE WITHOUT THE
 WRITTEN PERMISSION OF
 JT RACESHOP, LLC IS PROHIBITED.

JT RACESHOP

12153 Oak Park Blvd NE, Blaine, MN 55434

612-655-3055
 info@jtraceshop.com

www.jtraceshop.com

PART NO.
 30021

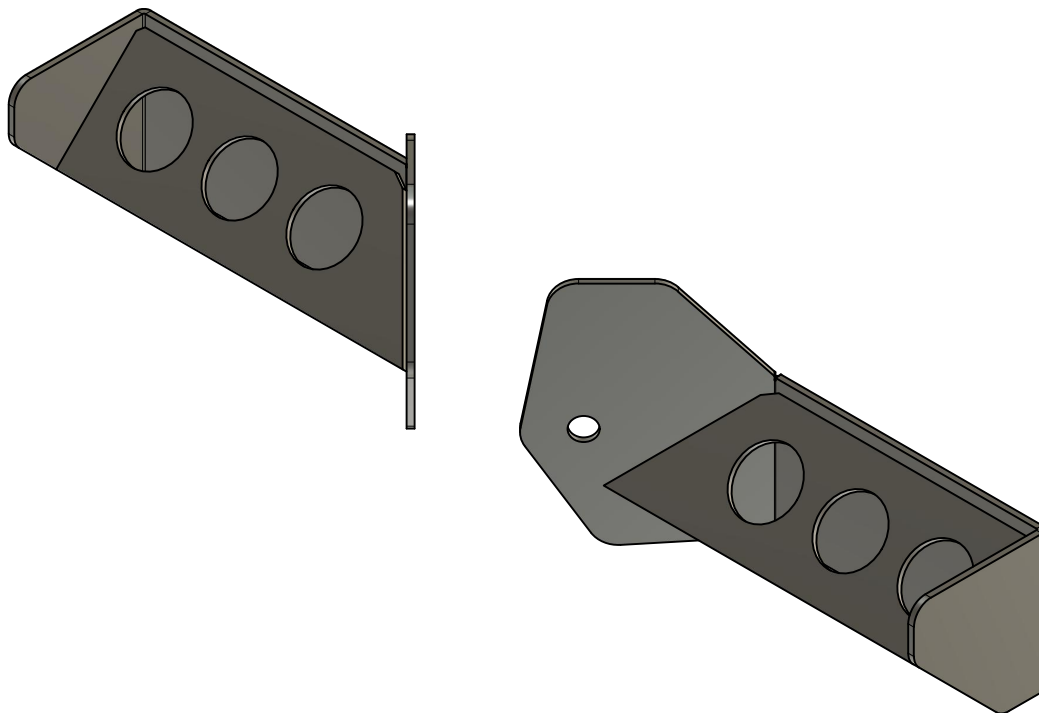
TITLE:
 Upper Control Arm Braces

PLATFORM:
 1978-1988 GM G-body

SHEET
 1/2

Instructions:

1. Jack the rear of your car up and place on jackstands.
2. Remove rearend housing from your car. Your new JTR UCA Braces can be installed with the housing in place, but it is exponentially easier if you completely remove it out of your way.
3. Place the JTR frame plates in position lining up the hole in the plates with the upper control arm bolt hole in your frame.
4. Mark the outline of the frame plate using a scribe, chalk pencil or marker.
5. Remove frame plates and grind all paint, grease and dirt along the scribed lines down to bare clean metal for proper welding.
6. Once the area is properly cleaned, reposition the frame plates back in place and fully weld all edges.
7. Place the gusset plates in position as shown below in Figure 1 and weld in place. We don't pre-weld the gusset plates to the frame plates because they can get in the way of welding the bottom edge of the frame plates from Step 6.
8. After all welds are cooled, you can apply paint to prevent rusting and reinstall your rearend housing, control arms, etc.



PROPRIETARY AND CONFIDENTIAL:
THE INFORMATION CONTAINED IN
THIS DRAWING IS THE SOLE
PROPERTY OF JT RACESHOP, LLC.
ANY REPRODUCTION IN PART OR
AS A WHOLE WITHOUT THE
WRITTEN PERMISSION OF
JT RACESHOP, LLC IS PROHIBITED.

JT RACESHOP

12153 Oak Park Blvd NE, Blaine, MN 55434

612-655-3055
info@jtraceshop.com

www.jtraceshop.com

PART NO.
30021

TITLE:
Upper Control Arm Braces

PLATFORM:
PLATFORM

SHEET
2/2