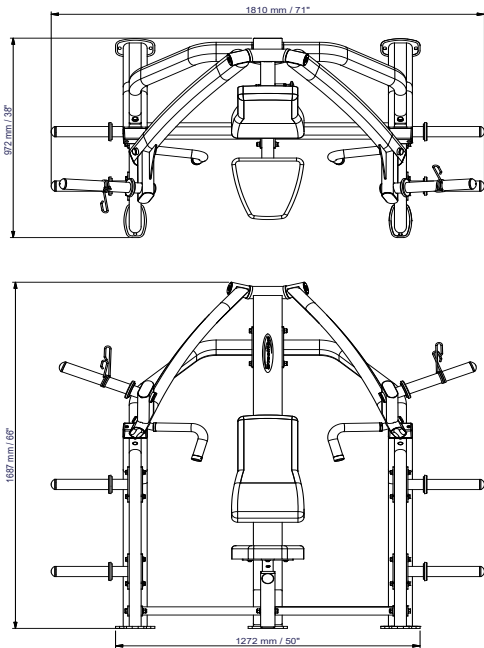
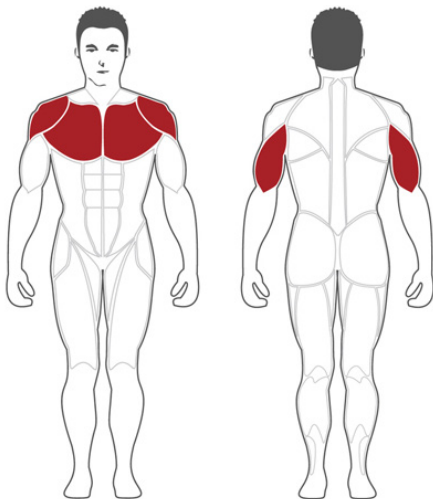


# PSIP **Plateload** Incline Chest Press Machine



The Steelflex Plate Load PSIP Incline Chest Press machine offers the free and unconstrained feel of free weights within a safe environment like home place. It's built to the highest standards using biomechanics and high levels of safety to provide you only the best results!

- Olympic weight posts (for use only with olympic weight plates)
- For both commercial and non-commercial use
- **Weight plates not included**



## FEATURES

- 11 gauge steel frame, 5 x 10 cm square tubing
- Electrostatically applied powder coating
- 50 mm CGPC high density foam upholstery & ergonomic design
- Industrial rated bearings, sealed bearings at all pivot points
- Dipped PVC handle
- Continuous welds at all pivot points
- Backrest adjustment
- Independent unilateral arm action for balanced muscle development
- Convergent press arm movement with advanced biomechanics
- The 2 independent arms can be used simultaneously or independently

## SPECIFICATIONS

Dimensions:	181 x 97.2 x 168.7 cm
Product weight:	101 kg
Max. user weight:	120 kg

## WARRANTY: COMMERCIAL AND RESIDENTIAL

Frame	15 years
Bearings	2 years
Upholstery & grips	6 months
Other parts	1 year