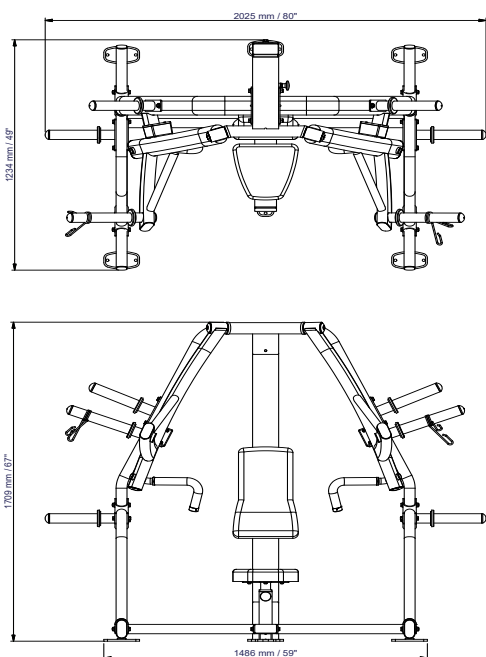
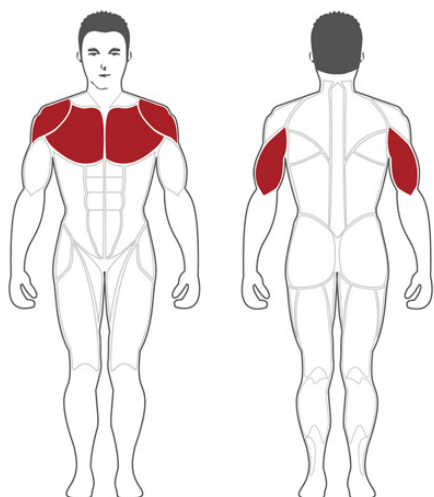


PSBP Plateload Bench Press Machine



The Steelflex Plate Load PSBP Bench Press offers the free and unconstrained feel of free weights within a safe environment like home place. It's built to the highest standards in biomechanics, safety to provide you a best results.

- Olympic weight posts (for use only with olympic weight plates)
- For both commercial and non-commercial use
- **Weight plates not included**



FEATURES

- 11 gauge steel frame, 5 x 10 cm square tubing
- Electrostatically applied powder coating
- 50 mm CGPC high density foam upholstery & ergonomic design
- Industrial rated bearings, sealed bearings at all pivot points
- Dipped PVC handle
- Continuous welds at all pivot points
- Unilateral action independent of the arm for balanced muscle development
- Convergent press arm movement with advanced biomechanics
- 2 independent arms that can be used simultaneously or independently
- Converging press arm movement for advanced biomechanics

SPECIFICATIONS

Dimensions:	202.5 x 123.4 x 171 cm
Product weight:	75 kg
Max. user weight:	120 kg

WARRANTY: COMMERCIAL AND RESIDENTIAL

Frame	15 years
Bearings	2 years
Upholstery & grips	6 months
Other parts	1 year