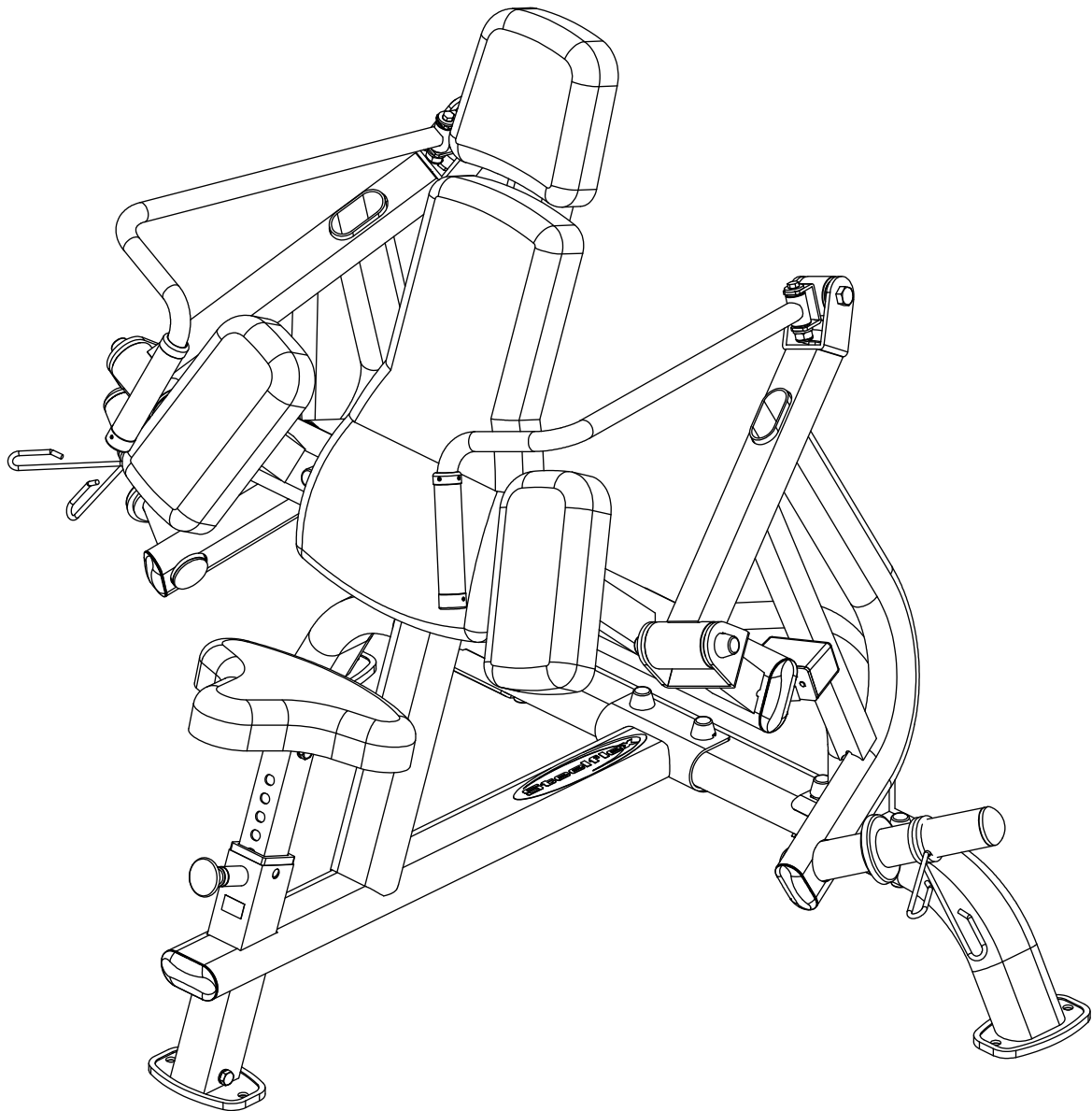


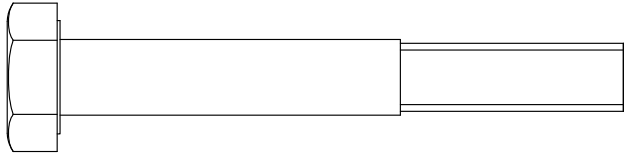
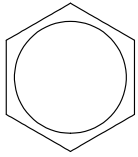
PLTE.5



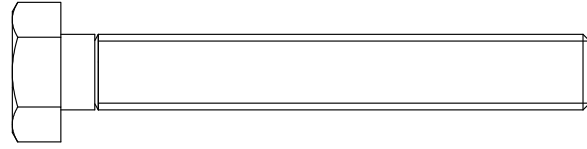
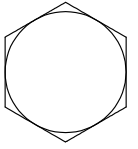
Assembly & Instructions
OWNER'S & MANUAL

PLTE.5 HARDWARE

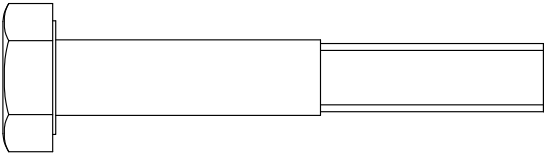
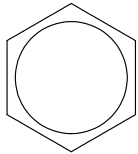
(shown in actual size)



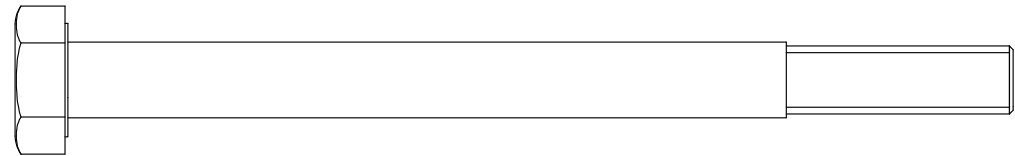
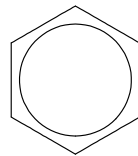
A1. M10x75 HEX HEAD SCREW...1PCS (Pre-installed)



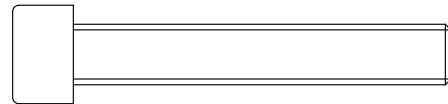
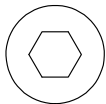
A2. M10x70 HEX HEAD SCREW...6PCS



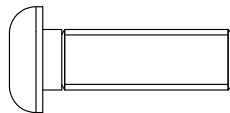
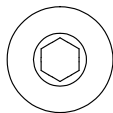
A3. M10x65 HEX HEAD SCREW (PARTIAL THREAD)...5PCS



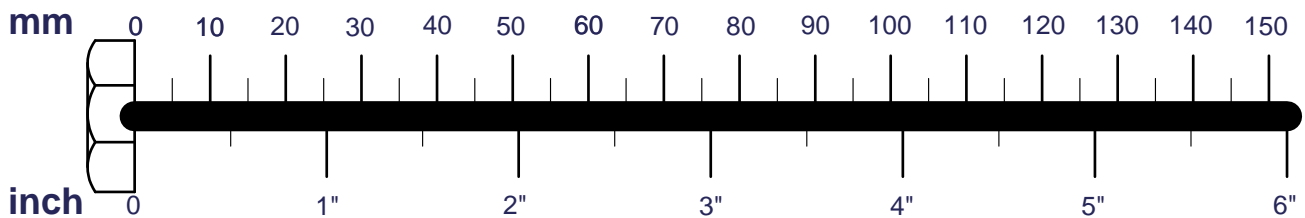
A5. M10x125 HEX HEAD SCREW (PARTIAL THREAD)...2PCS



A6. M8x50 SOCKET SCREW (FULL THREAD)...4PCS

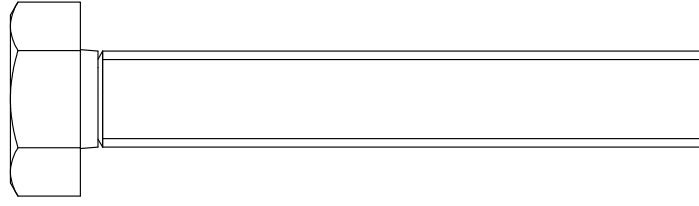
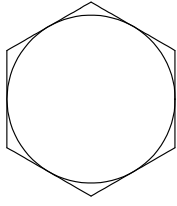


A7. M8x25 ROUND HEAD HEX...13PCS

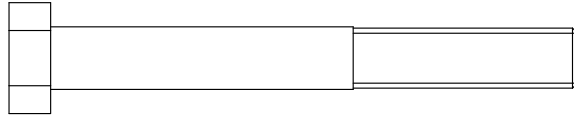
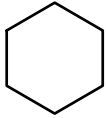


PLTE.5 HARDWARE

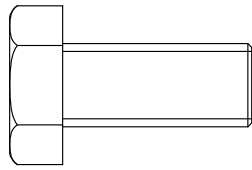
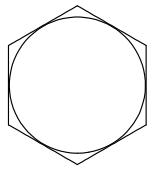
(shown in actual size)



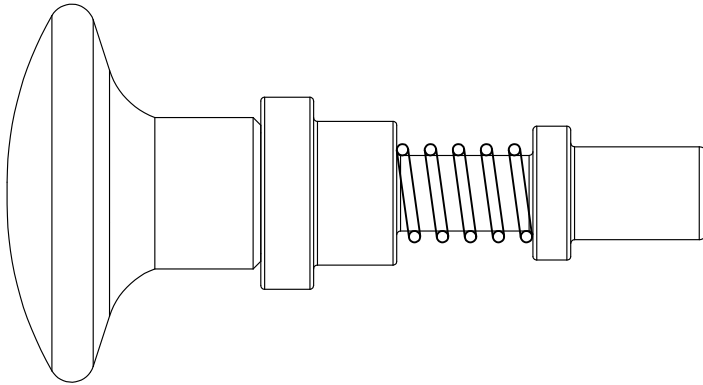
A8. 1/2" X 3 1/4" HEX HEAD SCREW...2PCS



A9. 1/2" X 2 3/4" HEX HEAD SCREW...2PCS (pre-installed)



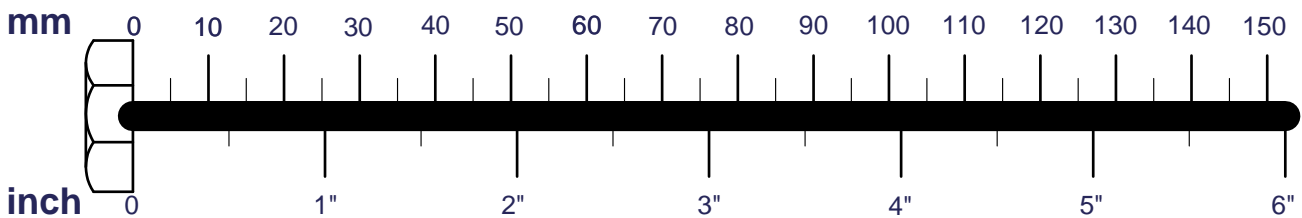
A10. M12 X 25 HEX HEAD SCREW...2PCS



A11. 1/2"x38L POP PIN (8250-065G)...1PCS (Pre-installed)

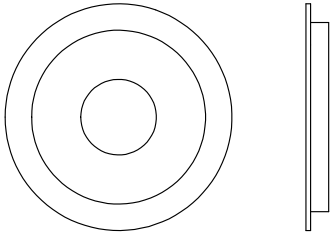


A13. M5X5L COUNTERSUNK HEX SOCKET SCREWS...8PCS (Pre-installed)

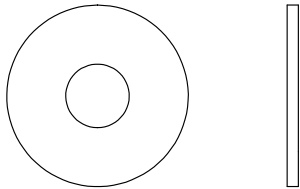


PLTE.5 HARDWARE

(shown in actual size)



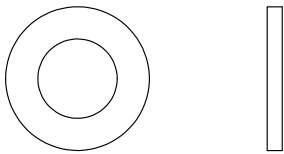
C1. M10 PLATE WASHER(Ø30)...24PCS



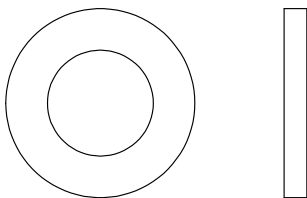
C3. M8 WASHER(Ø24)...13PCS



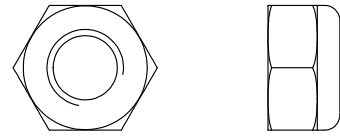
C4. M8 SPRING WASHER...13PCS



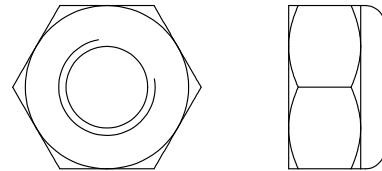
C5. M10 WASHER(Ø19)...2PCS (Pre-installed)



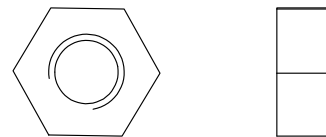
C6. 1/2" WASHER(Ø25)...4PCS (pre-installed)



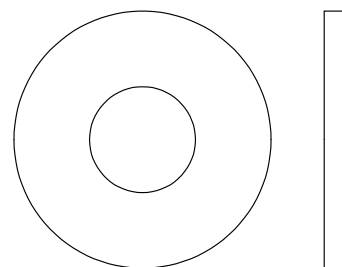
B1. M10 NYLON LOCK NUT...14PCS
(Pre-installed 1)



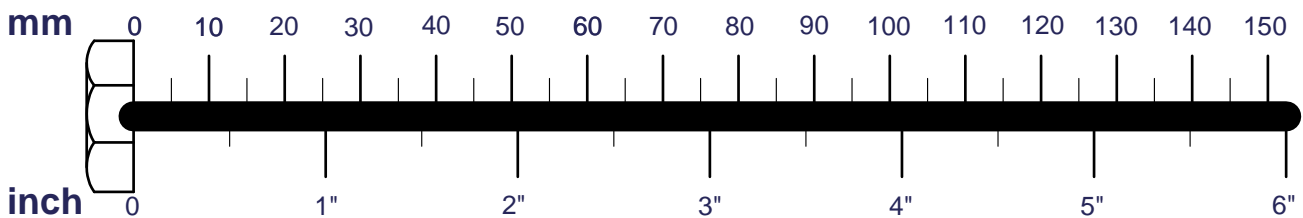
B2. 1/2" NYLON LOCK NUT...4PCS
(Pre-installed 2)



B3. 3/8" FLAT NUT...2PCS

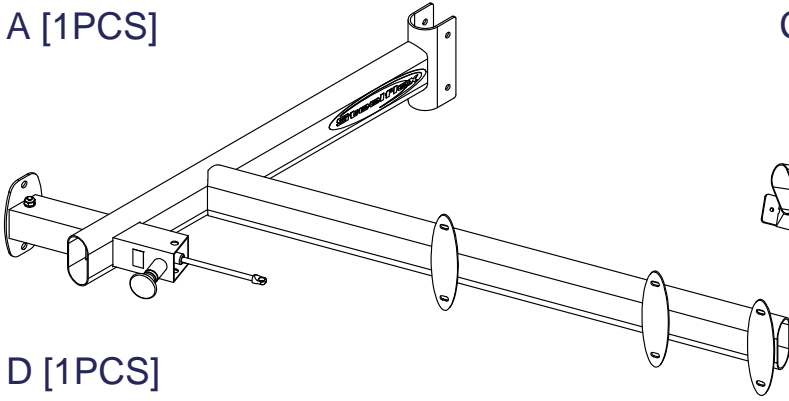


C7. M12 WASHER(Ø34)...2PCS

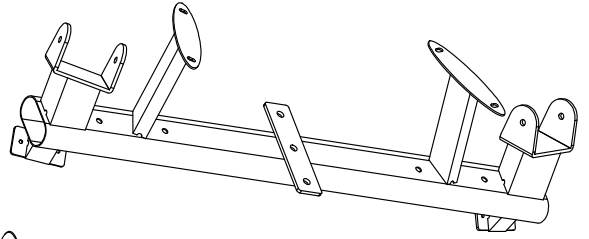


PLTE.5 PARTS

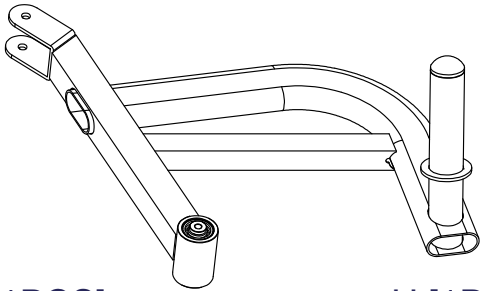
A [1PCS]



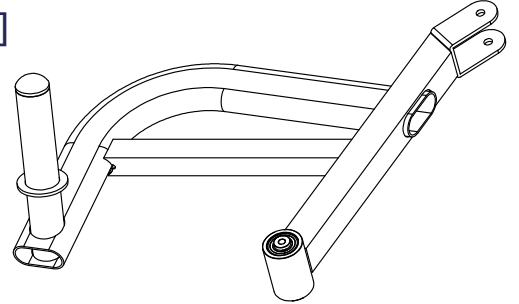
C [1PCS]



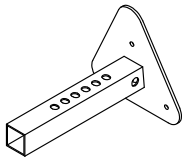
D [1PCS]



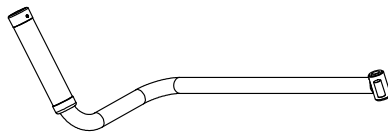
E [1PCS]



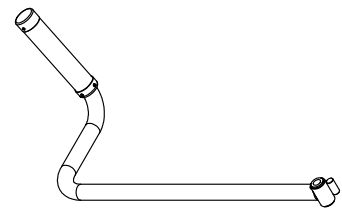
F [1PCS]



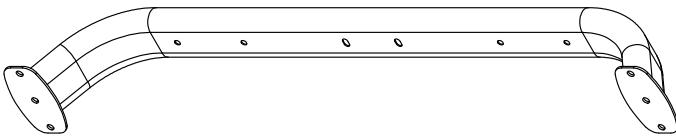
H [1PCS]



HR [1PCS]



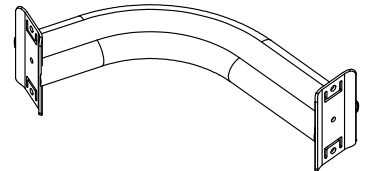
I [1PCS]



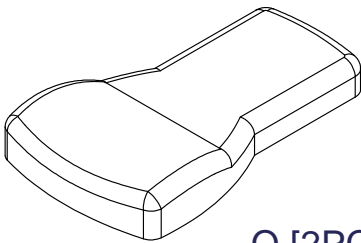
J [2PCS]



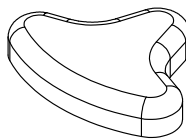
K [2PCS]



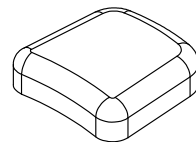
M [1PCS]
9111072



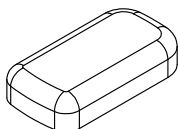
N [1PCS]
9144016



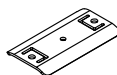
P [1PCS]
9131025



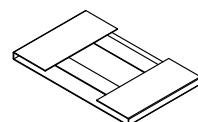
Q [2PCS]
9131037



R [2PCS]
8323-188



S [1PCS]
9119-010



PLTE.5 PARTS

| | |
|---|---------|
| D2. Steel Casing (8120-084) pre-installed | [4PCS] |
| D3. Steel Casing (8530-009) | [2PCS] |
| D4. Ø50 End Cap (9211-020) | [2PCS] |
| D6. 40x80 End Cap (9211-192) | [4PCS] |
| D7. 50x100 END CAP (9211-193) | [4PCS] |
| D8. Rubber Dount (9310-016) | [2PCS] |
| D9. Rubber Insert (9310-076) | [3PCS] |
| D10. Block Rubber (9310-077) | [2PCS] |
| D11. Pinch Cock (OC-06) | [2PCS] |
| D12. M10 Cap Sleeve (9212-026) | [24PCS] |
| D13. Co er Washer (8520-001) pre-installed | [4PCS] |
| D15. Bearing (8510-003) pre-installed | [4PCS] |
| D16. Bearing (8510-020) pre-installed | [4PCS] |
| D17. Steel Casing (8120-082) pre-installed..... | [4PCS] |
| D18. Impregnated With Handle (9162-163) pre-installed | [2PCS] |
| D19. 60X60 Nylon Bushing (9211-047) | [1PCS] |
| D20. Hydraulic Seat Adjuster (8830-023) pre-installed | [1PCS] |
| D21. Fixed beam (8130-253) pre-installed | [2PCS] |
| D22. Sheath (8890-061) pre-installed | [2PCS] |
| D23. Fixed foot pedestal (9310-018) | [2PCS] |

D2



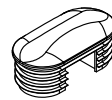
D3



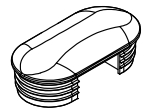
D4



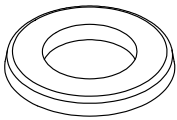
D6



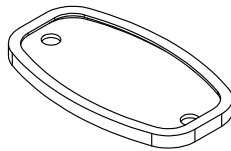
D7



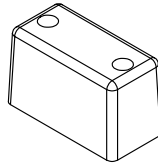
D8



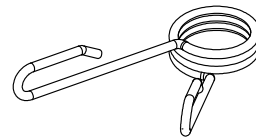
D9



D10



D11



D12



D13



D15



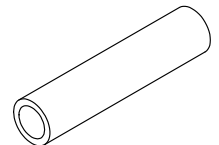
D16



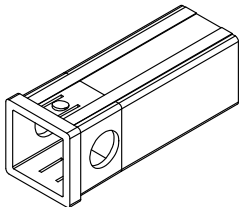
D17



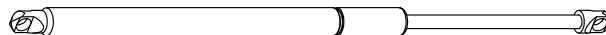
D18



D19



D20



D21



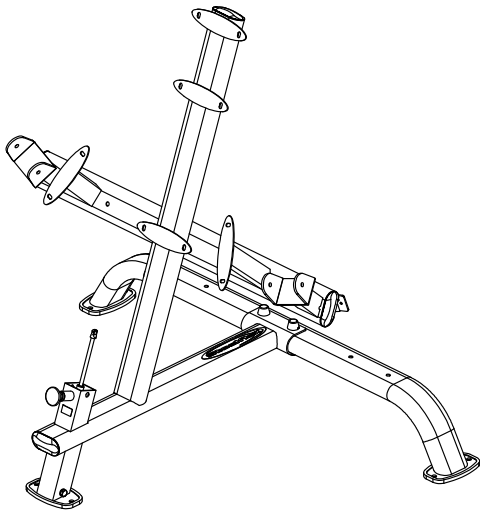
D22



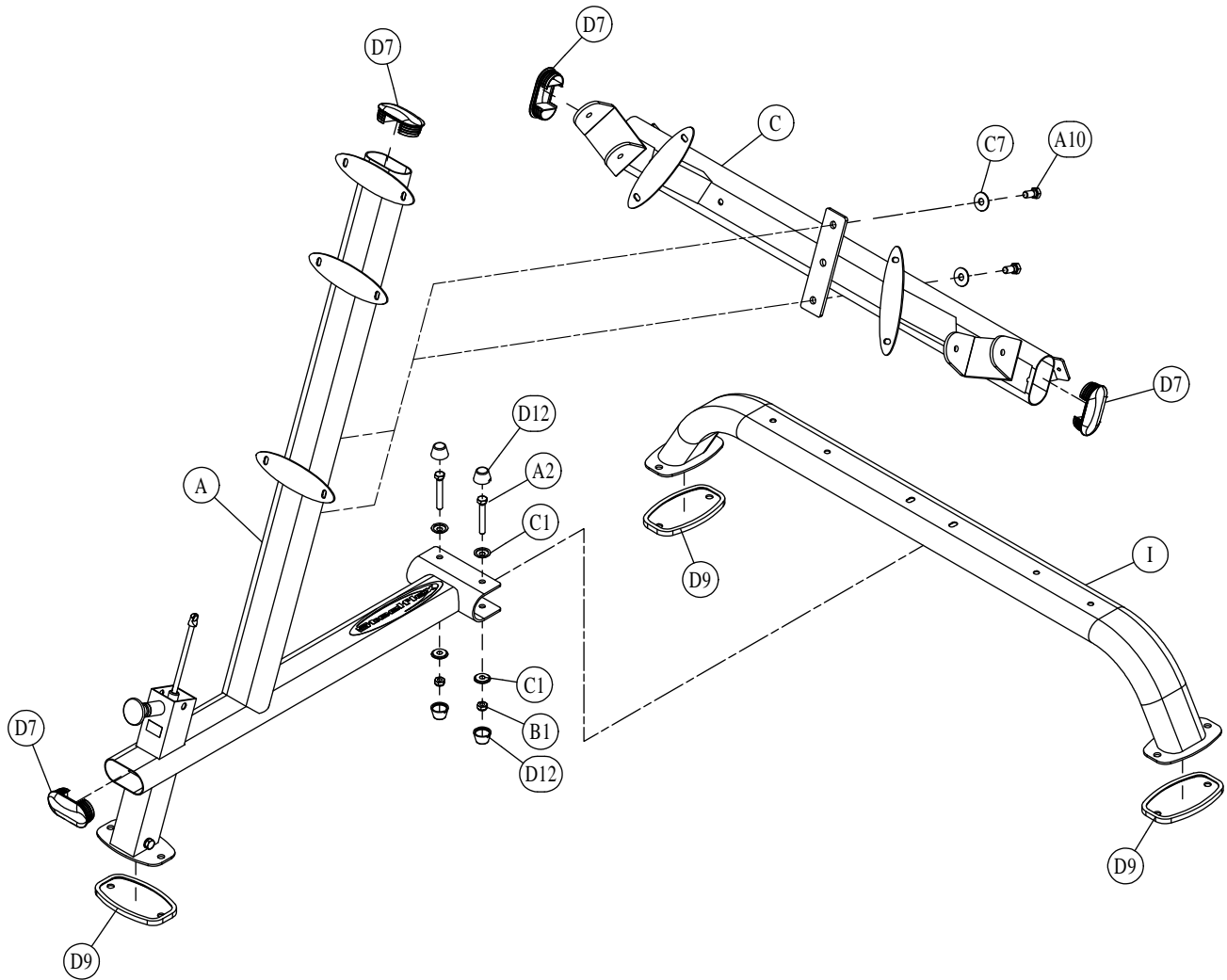
D23



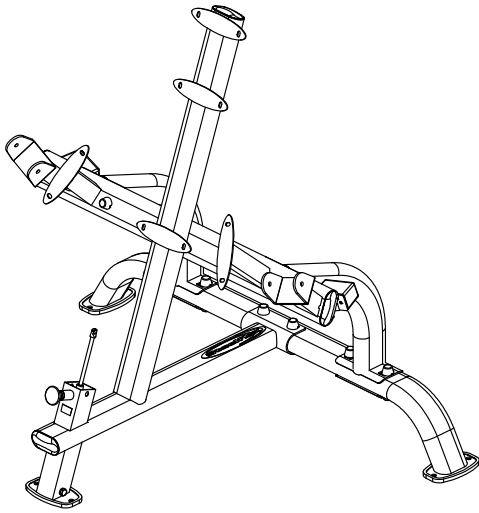
STEP
1



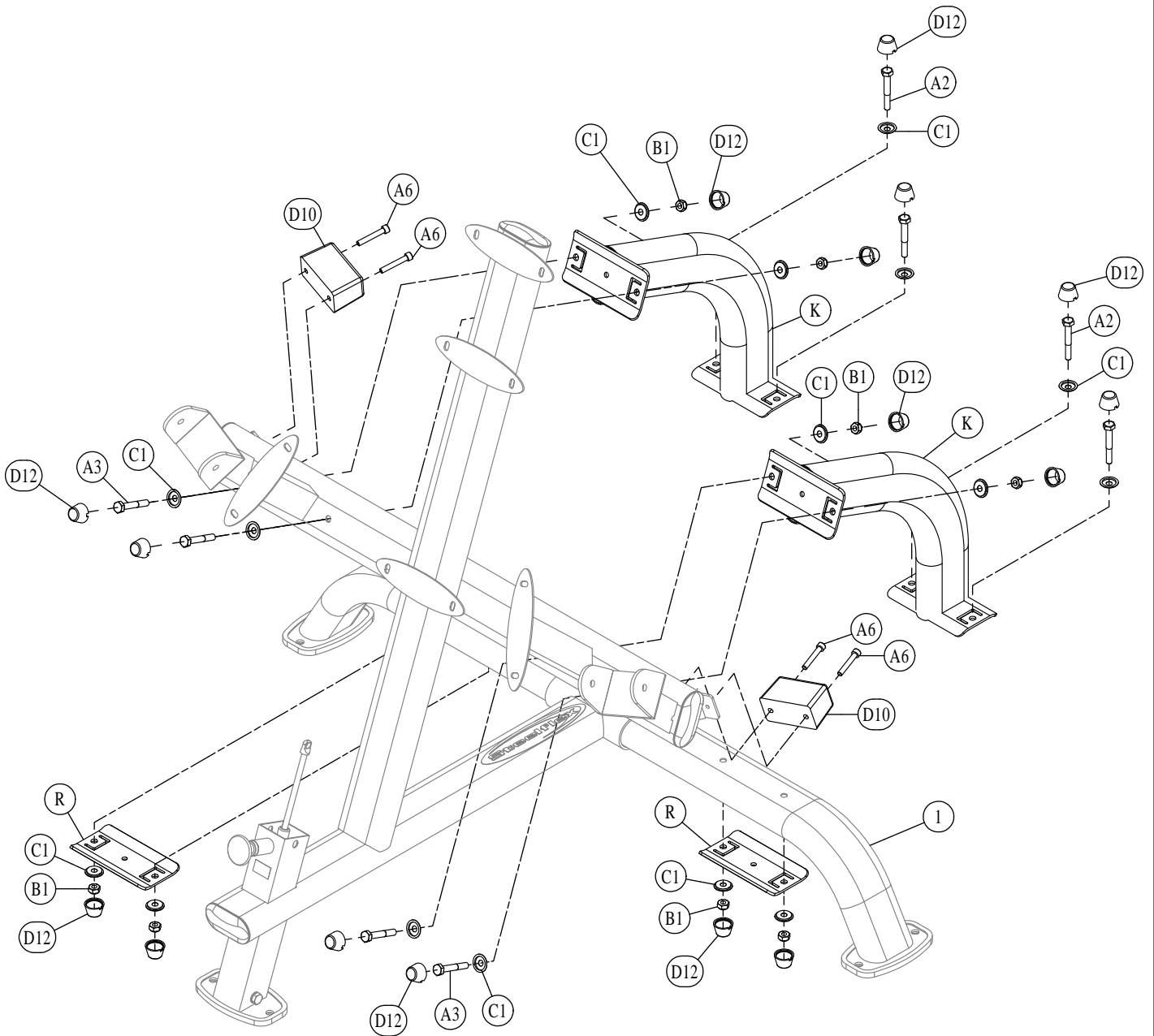
Above shows STEP 1 assembled and completed

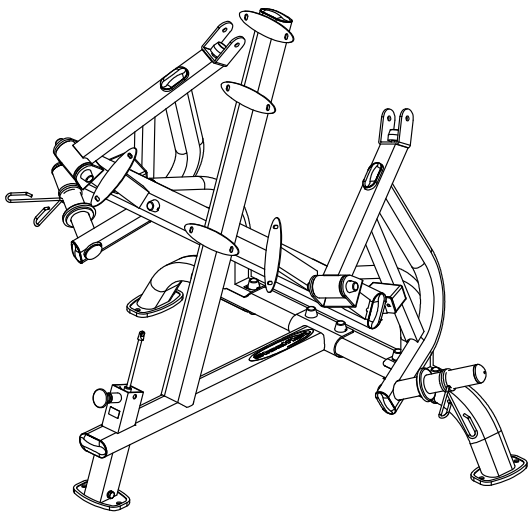


STEP
2

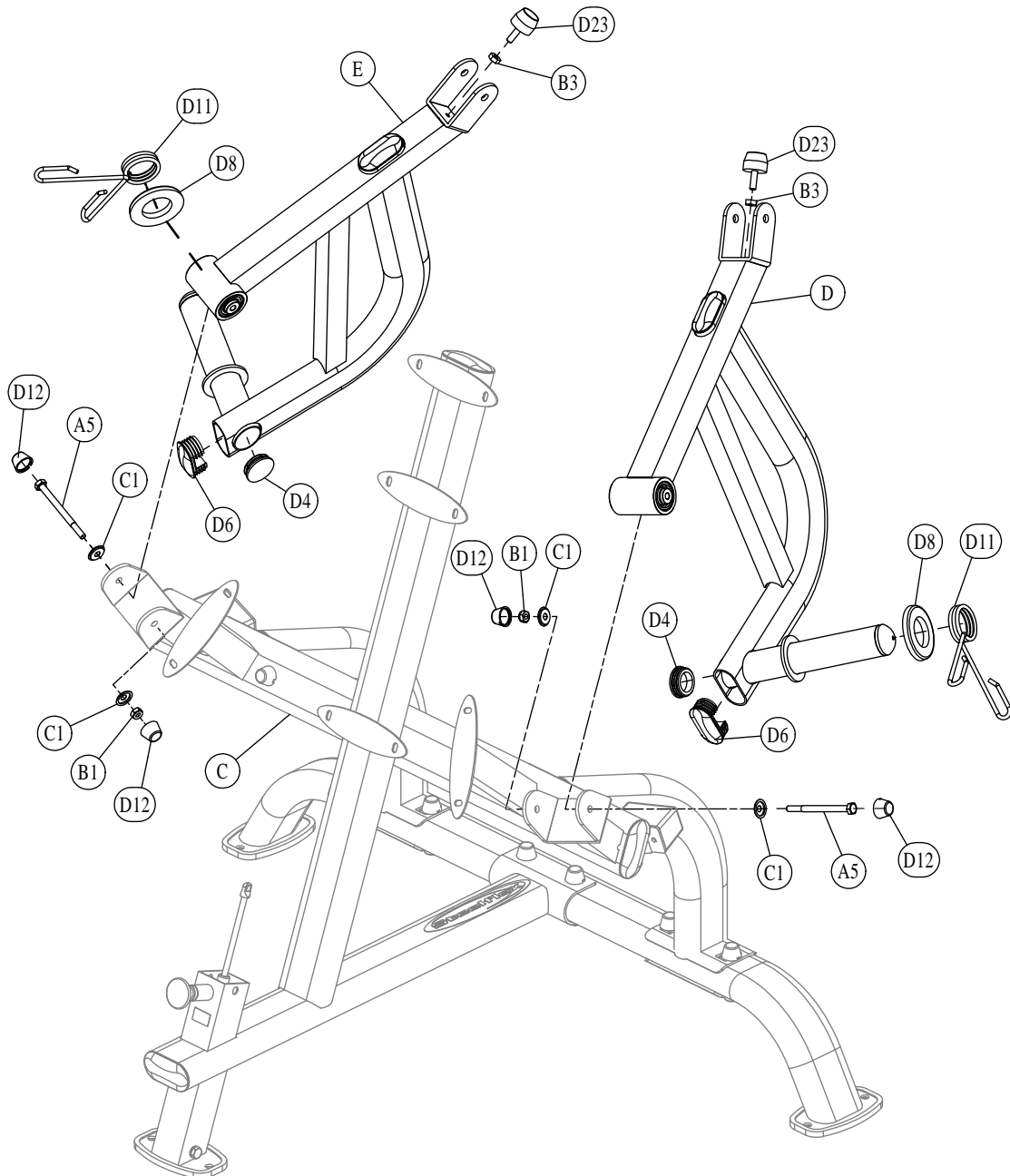


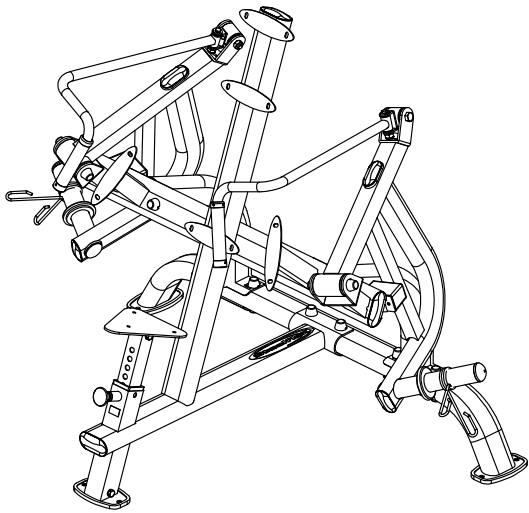
Above shows STEP 2
assembled and completed



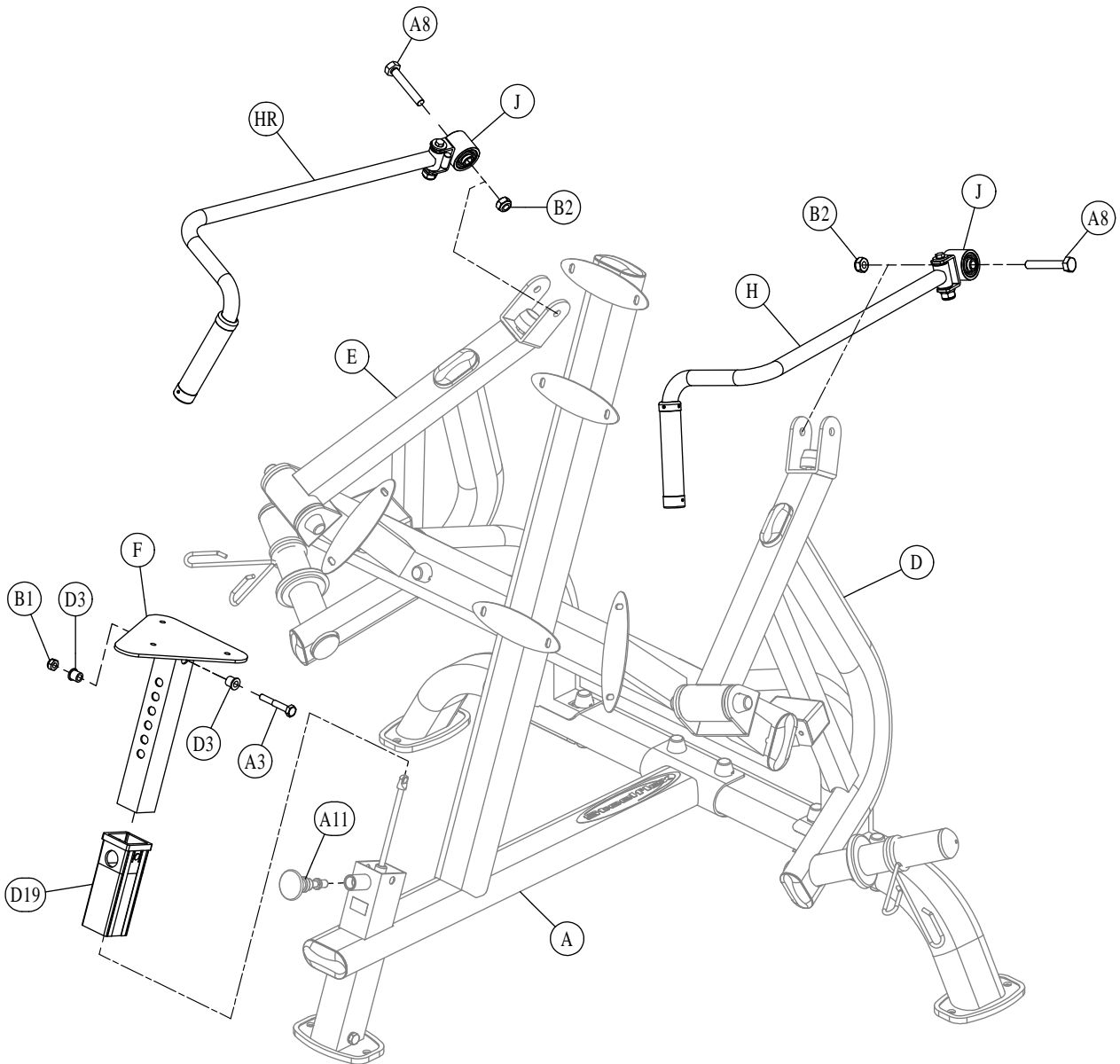


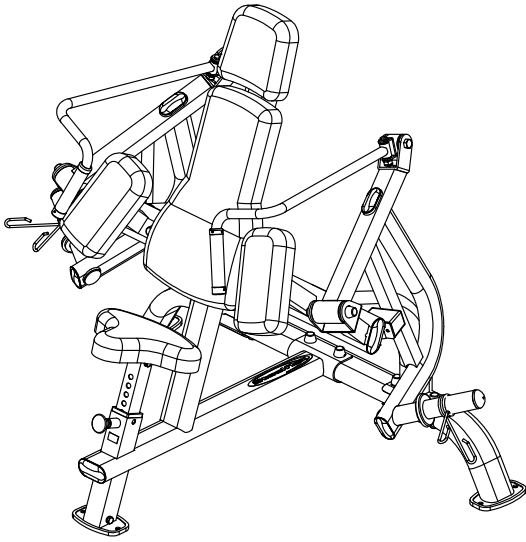
Above shows STEP 3 assembled and completed



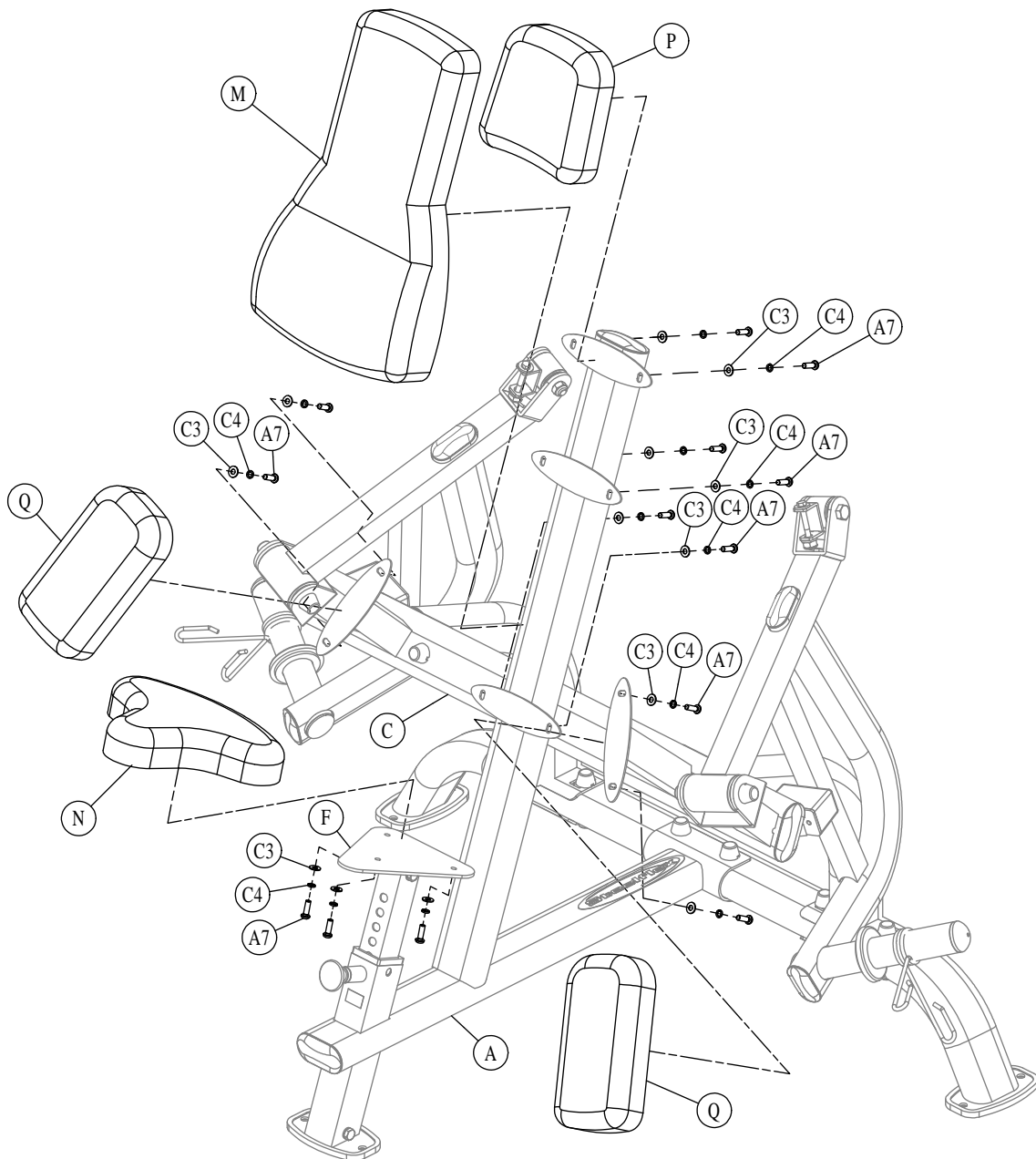


Above shows STEP 4 assembled and completed

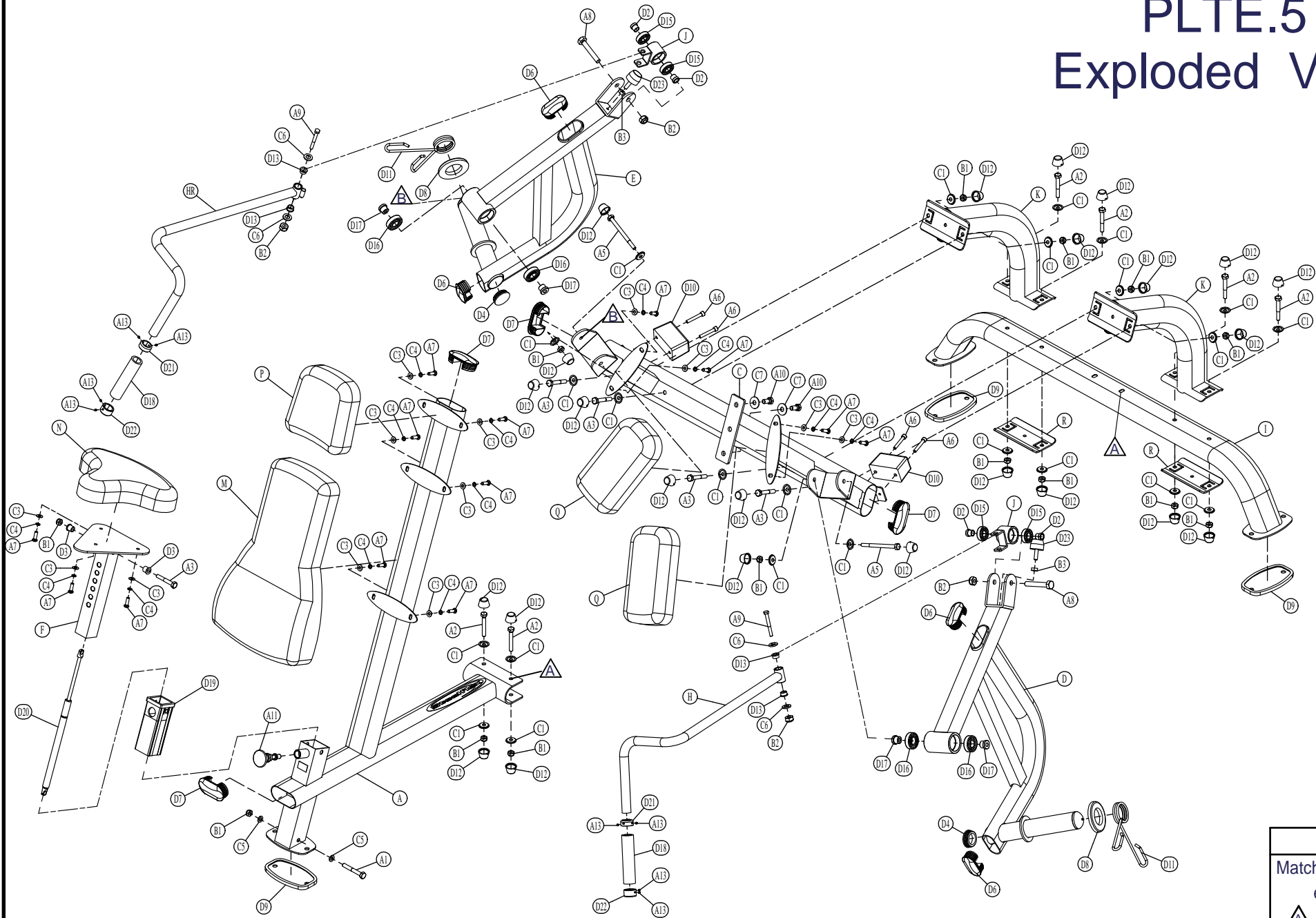




Above shows STEP 5 assembled and completed



PLTE.5 Exploded View



| KEY | | | |
|--|----------|-----|--|
| Match the letters inside each triangle | | | |
| △ A | connects | △ A | |
| △ B | connects | △ B | |