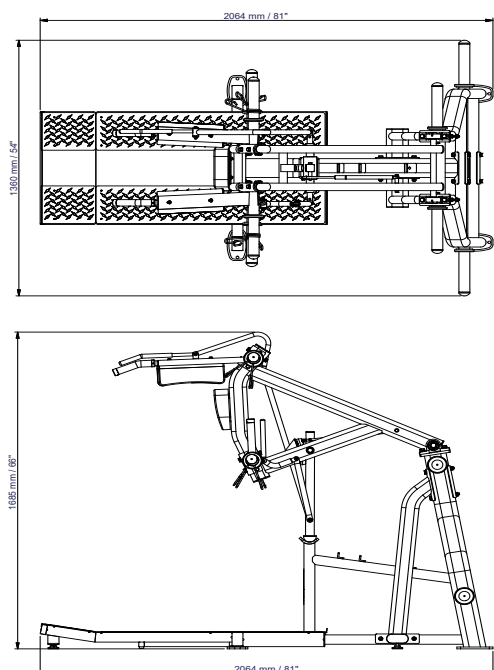
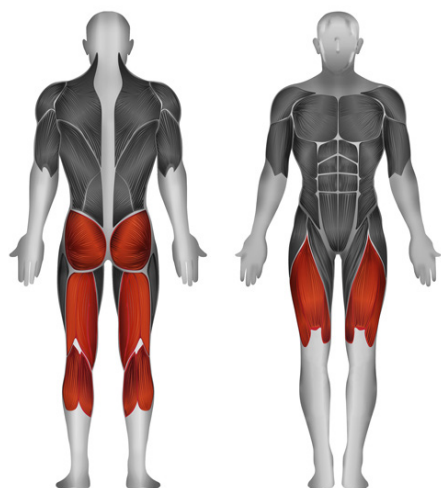


# PLSS Plateload Standing Squat Machine



The Steelflex Plate load PLSS Squat Stand is an incredible strength machine that targets the glutes, hamstrings and quads. The steel frame construction provides a stable, solid machine that can take a beating. The device is designed so that a user can stand up while performing the exercise. Commercially rated sealed bearings at all pivot points ensure smooth movement during training.

- Olympic weight posts (for use only with olympic weight plates)
- For both commercial and non-commercial use
- **Weight plates not included**



## FEATURES

- 12 gauge steel frame, 5 x 10 cm oval tubing
- Electrostatically applied powder coating
- 50 mm CGPC high density foam upholstery & ergonomic design
- Industrial rated bearings, sealed bearings at all pivot points
- Dipped PVC handle
- Continuous welds at all pivot points
- Ensures safe workouts with precise range of motion
- Powerful load arm
- Easy start / stop handle access
- Comfortable pads for shoulder and chest support
- Non-slip chrome diamond foot plates

## SPECIFICATIONS

Dimensions:	206.4 x 136 x 168.5 cm
Product weight:	146 kg
Weight capacity:	1100 kg
Max. user weight:	120 kg

## WARRANTY: COMMERCIAL AND RESIDENTIAL

Frame	15 years
Bearings	2 years
Upholstery & grips	6 months
Other parts	1 year