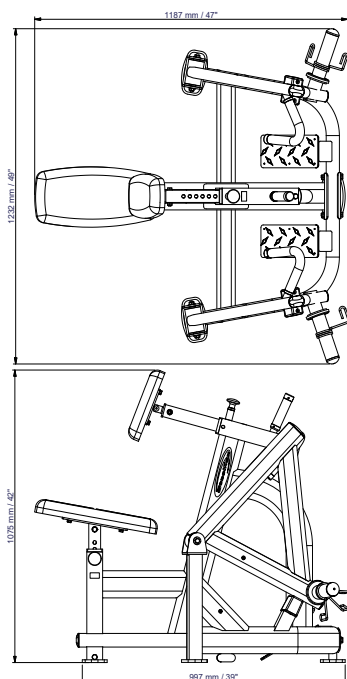
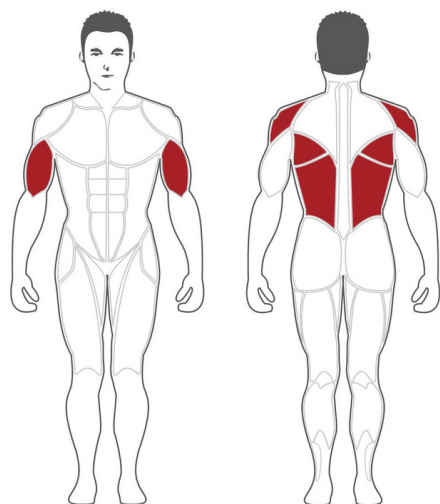


PLSR Plateload Seated Row Machine



The Steelflex Plate Load PLSR Seated Row machine has been designed to give a 10 Degree diverging pattern providing a more natural working orbit of the body. The Row arms can be used together or independently.

- Olympic weight posts (for use only with olympic weight plates)
- For both commercial and non-commercial use
- **Weight plates not included**



FEATURES

- 12 gauge steel frame, 5 x 10 cm oval tubing
- Electrostatically applied powder coating
- 50 mm CGPC high density foam upholstery & ergonomic design
- Industrial rated bearings, sealed bearings at all pivot points
- Dipped PVC handle
- Continuous welds at all pivot points
- Double axis diverging arm movement for a biomechanically correct back exercise.
- 360° articulating handles provide definition and a natural range of motion
- Adjustable chest support with gas assist for different arm lengths and total isolation of the back muscles
- Independent unilateral arm movement

SPECIFICATIONS

Dimensions:	118.7 x 123.2 x 107.5 cm
Product weight:	71 kg
Max. user weight:	120 kg

WARRANTY: COMMERCIAL AND RESIDENTIAL

Frame	15 years
Bearings	2 years
Upholstery & grips	6 months
Other parts	1 year