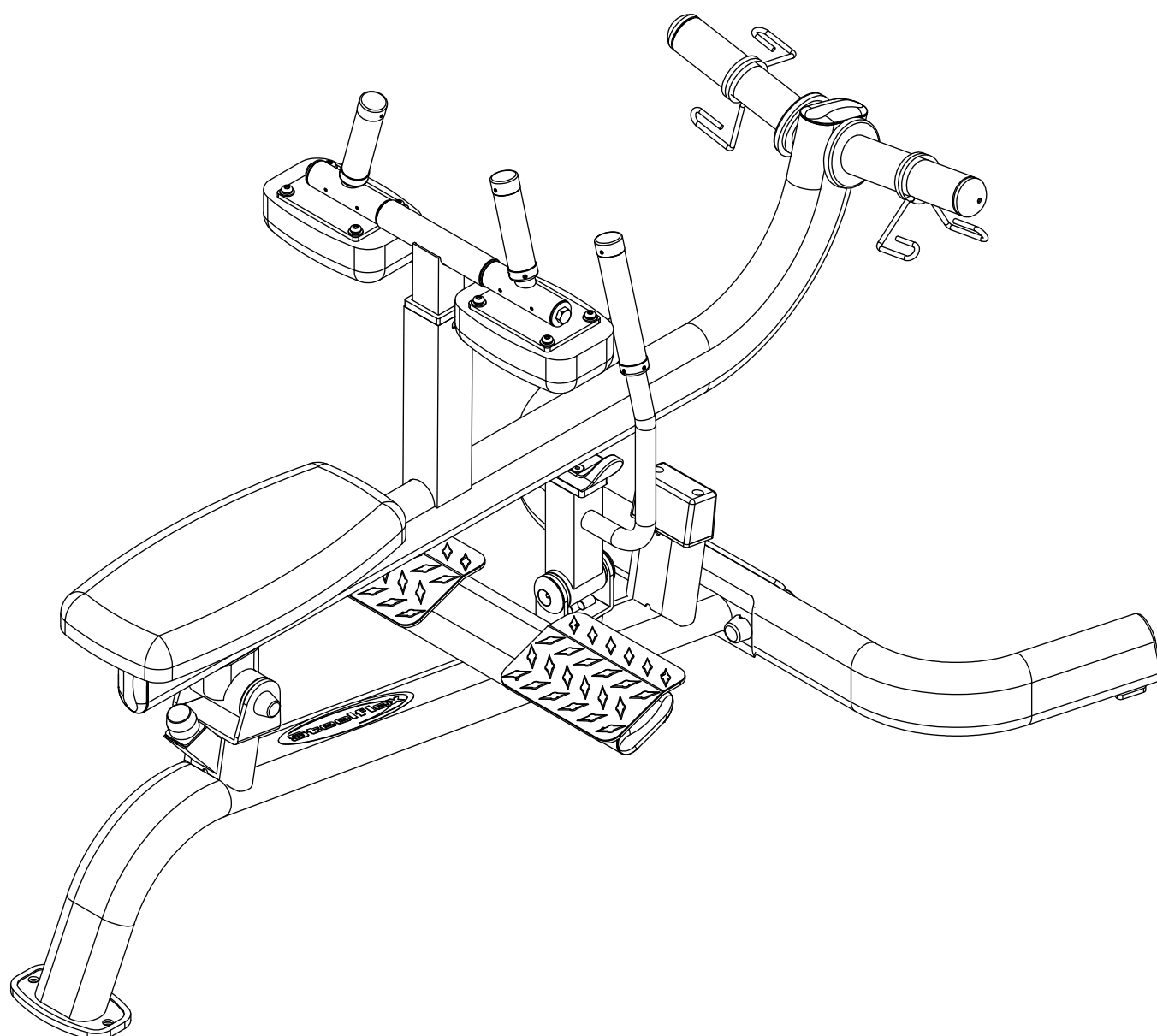


*PLSC.5*

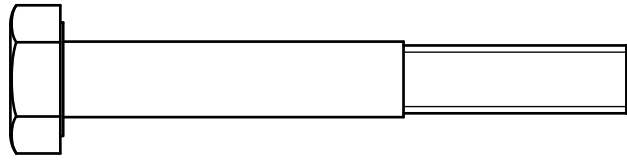
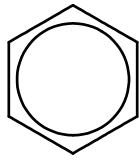


Assembly & Instructions  
**OWNER'S & MANUAL**

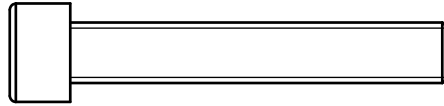
# PLSC.5 HARDWARE

(shown in actual size)

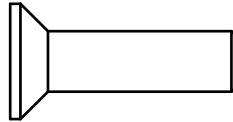
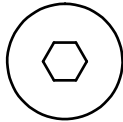
A1. M10X75 HEX HEAD SCREW....2PCS



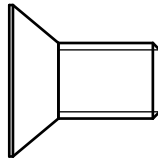
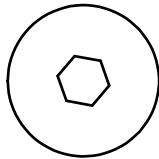
A2. M8X50 SOCKET SCREW (FULL THREAD)...2PCS



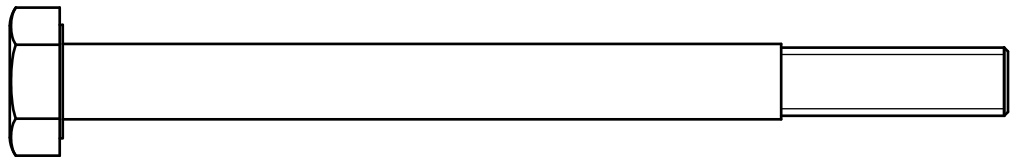
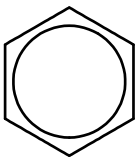
A4. M8X30L ALLEN SCREW (FULL THREAD)...2PCS (pre-installed)



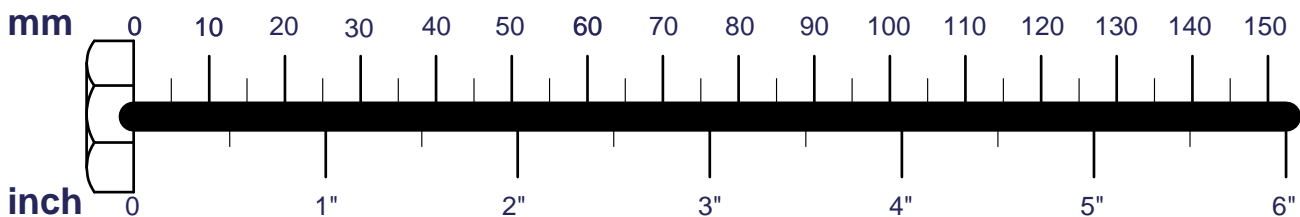
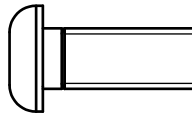
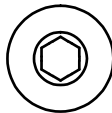
A5. M10X20 ALLEN SCREW (FULL THREAD)...2PCS



A6. M10X125 HEX HEAD.....1PCS



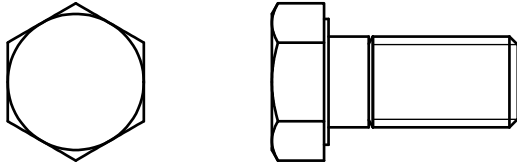
A7. M8X20ALLEN SCREW.....12PCS



# PLSC.5 HARDWARE

(shown in actual size)

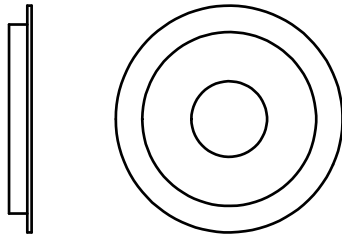
A8. M12X20 HEX HEAD SCREW.....2PCS



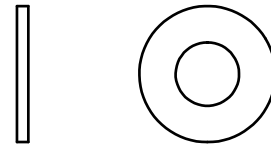
A9. M5X5 GRUB SCREW.....16PCS(Pre-installed)



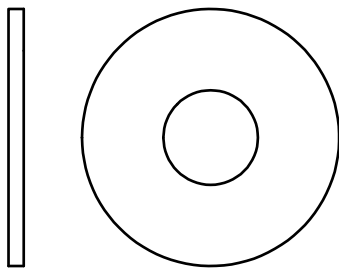
C1. M10 PLATE WASHER (Ø30)...6PCS



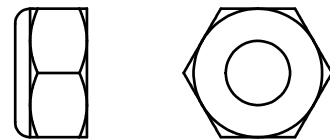
C4. M8 WASHER (Ø18)...12PCS



C3. M12 WASHER (Ø34)...2PCS



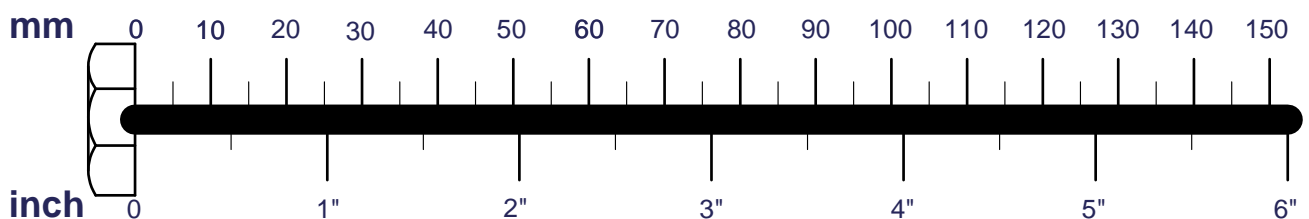
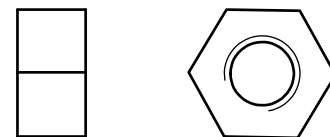
B1. M10 NYLON LOCK NUT...3PCS



C5. M8 SPRING WASHER ...12PCS

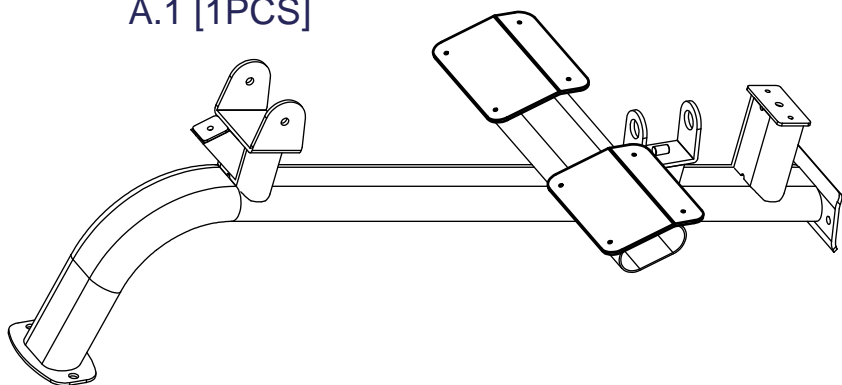


B2. 3/8" JAM NUT...1PCS (Pre-installed)

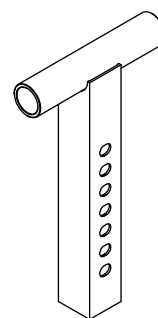


PLSC.5 PARTS

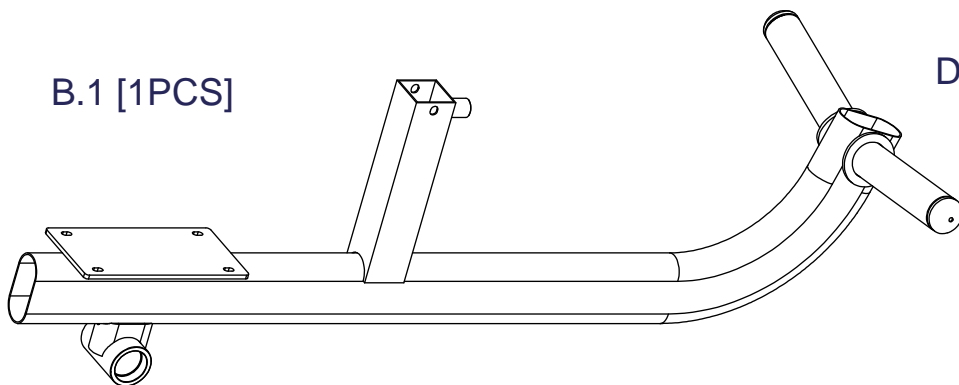
A.1 [1PCS]



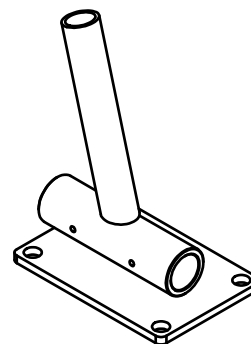
C.1[1PCS]



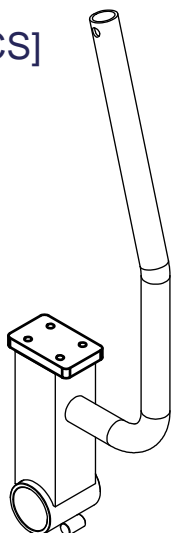
B.1 [1PCS]



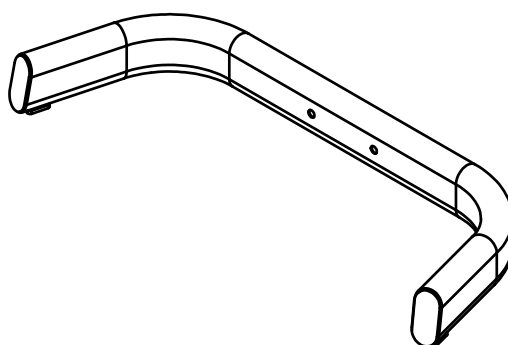
D [1PCS]



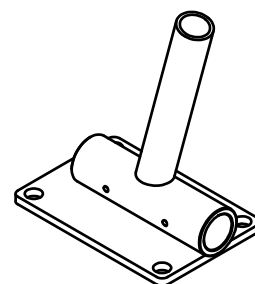
E [1PCS]



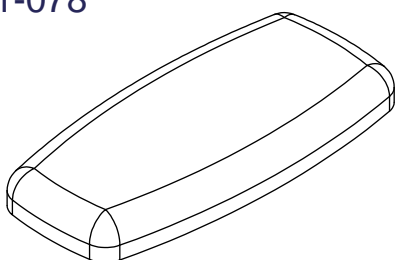
F [1PCS]



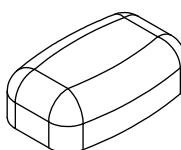
G[1PCS]



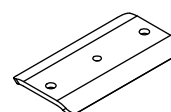
M[1PCS]  
9121-078



N [2PCS]  
9131-038



J [1PCS]  
8323-236



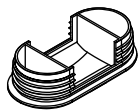
## PLSC.5 PARTS

D1. Rubber Pedestal (9310-119) pre-installed.....	[1PCS]
D2. 50X100 End Cap (9211-193).....	[4PCS]
D3. Block Rubber (9310-077).....	[1PCS]
D4. Rubber Insert (9310-076).....	[1PCS]
D5. Cap Sleeve (9212-026).....	[6PCS]
D7. Rubber Dount (9310-016).....	[2PCS]
D8. Pinch Cock (OC-06) .....	[2PCS]
D9. Nylon Bushing (9211-047) .....	[1PCS]
D11.FULLEY SPACER (8120-082) pre-installed.....	[2PCS]
D12. Shaft (8220-201) .....	[1PCS]
D13. 1/2"X38L Pop Pin (8250-065G) pre-installed.....	[1PCS]
D14. Shaft (8220-200) .....	[1PCS]
D15. Rubber stop (9310-018) pre-installed .....	[1PCS]
D16. Bearing (8510-020) pre-installed .....	[2PCS]
D17. End Closure (8130-253) pre-installed.....	[3PCS]
D18. Impregnated With Handle (9162-120) pre-installed.....	[2PCS]
D19. Oilite Bushing (8520-005) pre-installed.....	[2PCS]
D20. Oilite Bushing (8520-004) pre-installed.....	[2PCS]
D22. Impregnated With Handle (9162-163) pre-installed .....	[1PCS]
D23. Chrome Collar(8890-061) pre-installed.....	[3PCS]
D24. End Closser (8130-131).....	[2PCS]

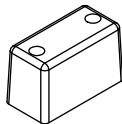
D1



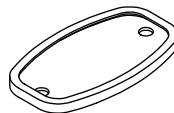
D2



D3



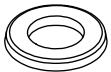
D4



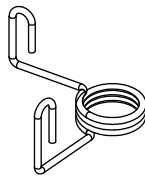
D5



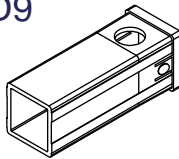
D7



D8



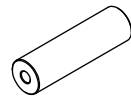
D9



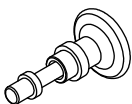
D11



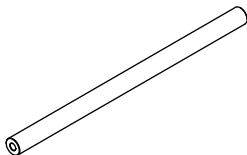
D12



D13



D14



D15



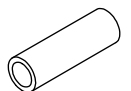
D16



D17



D18



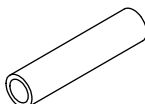
D19



D20



D22

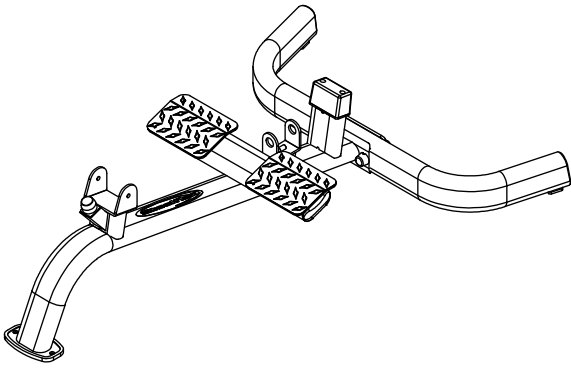


D23

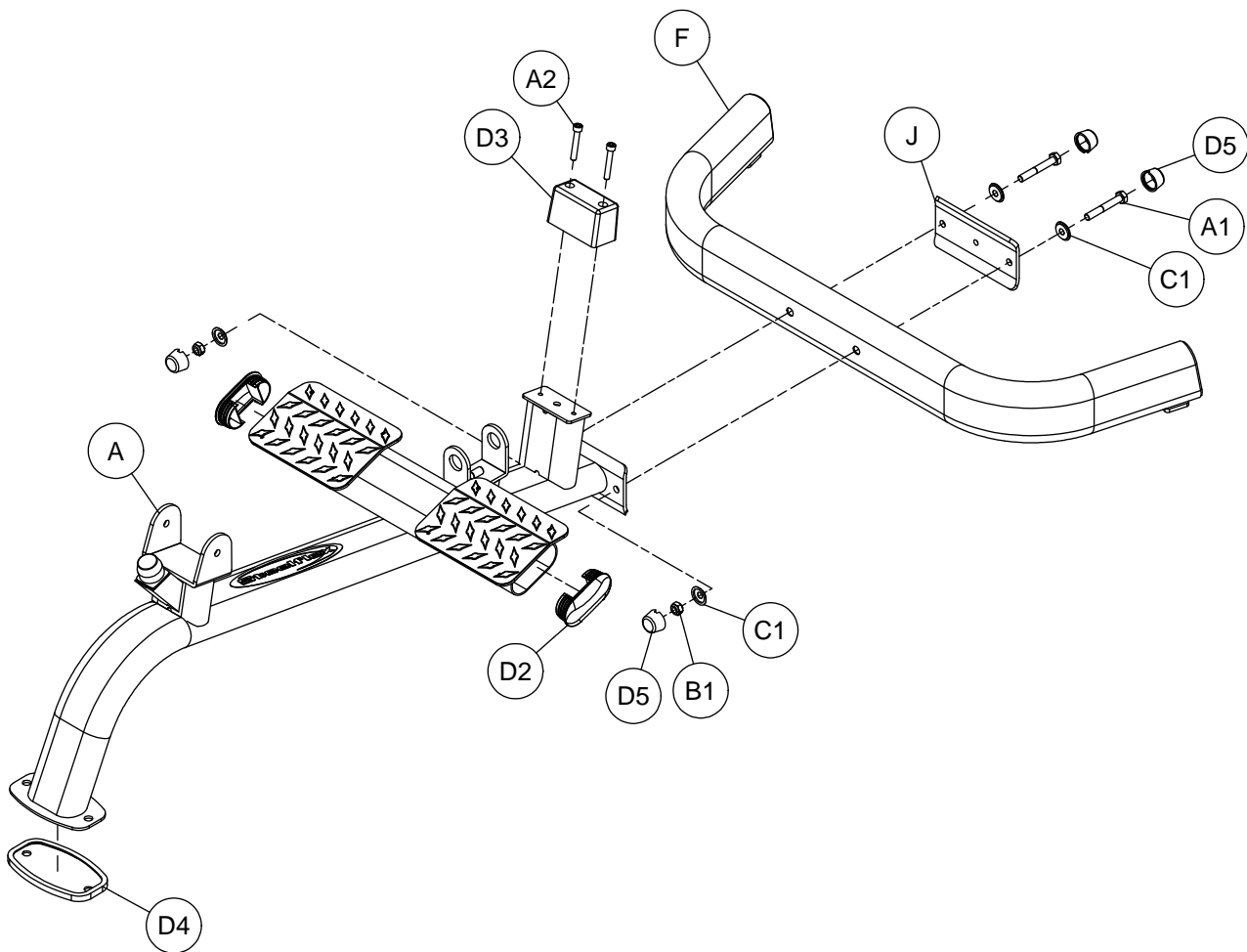


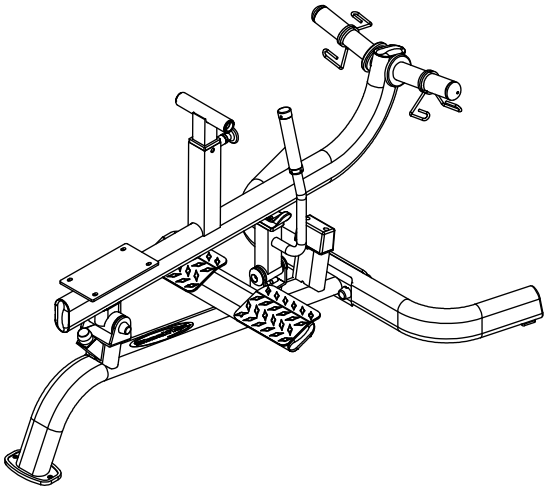
D24



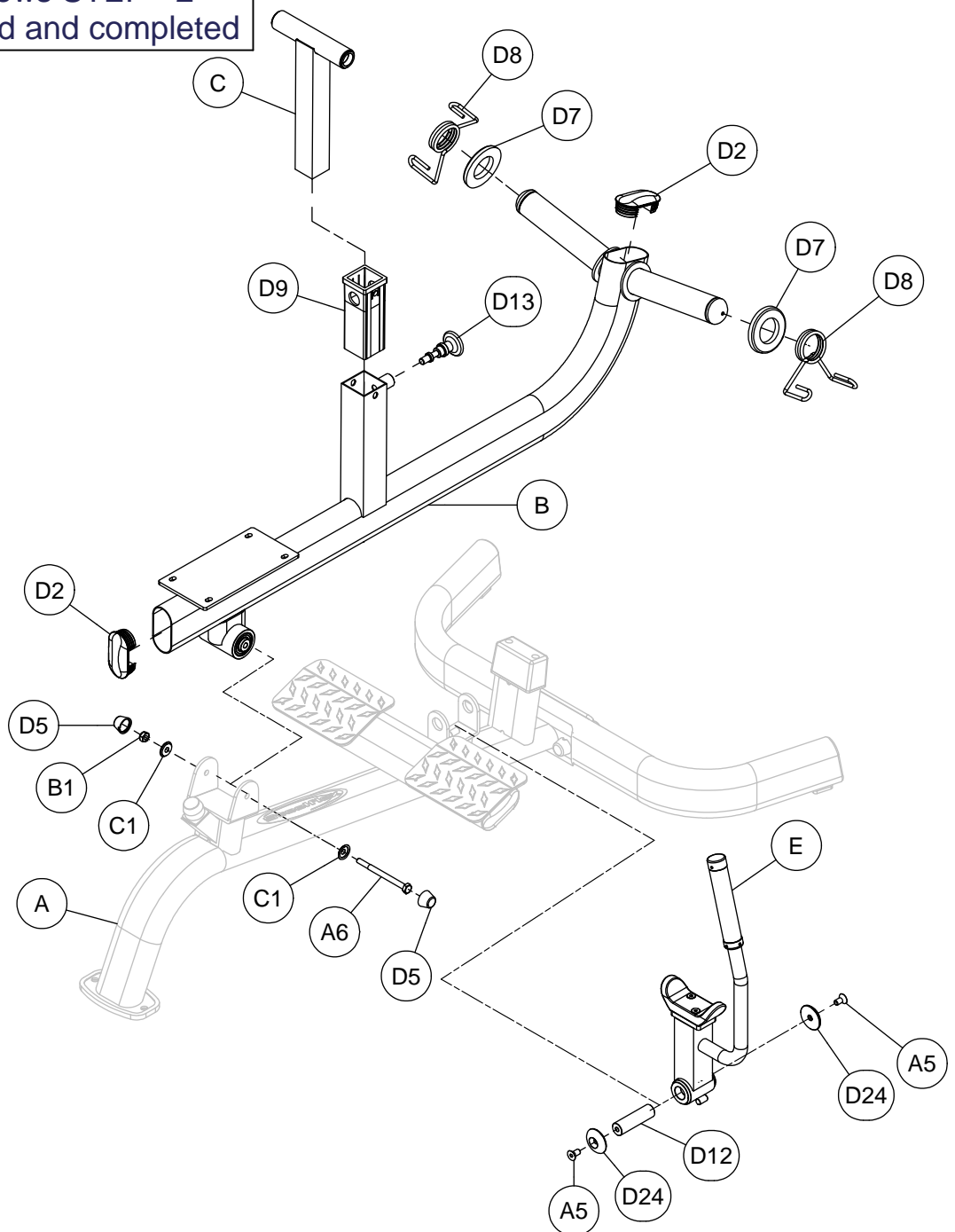


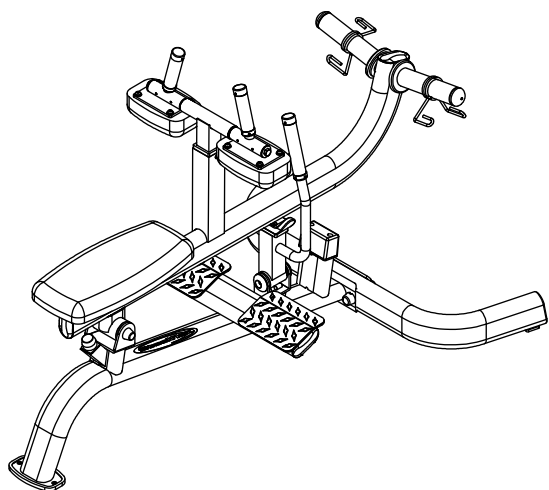
Above shows STEP 1 assembled and completed



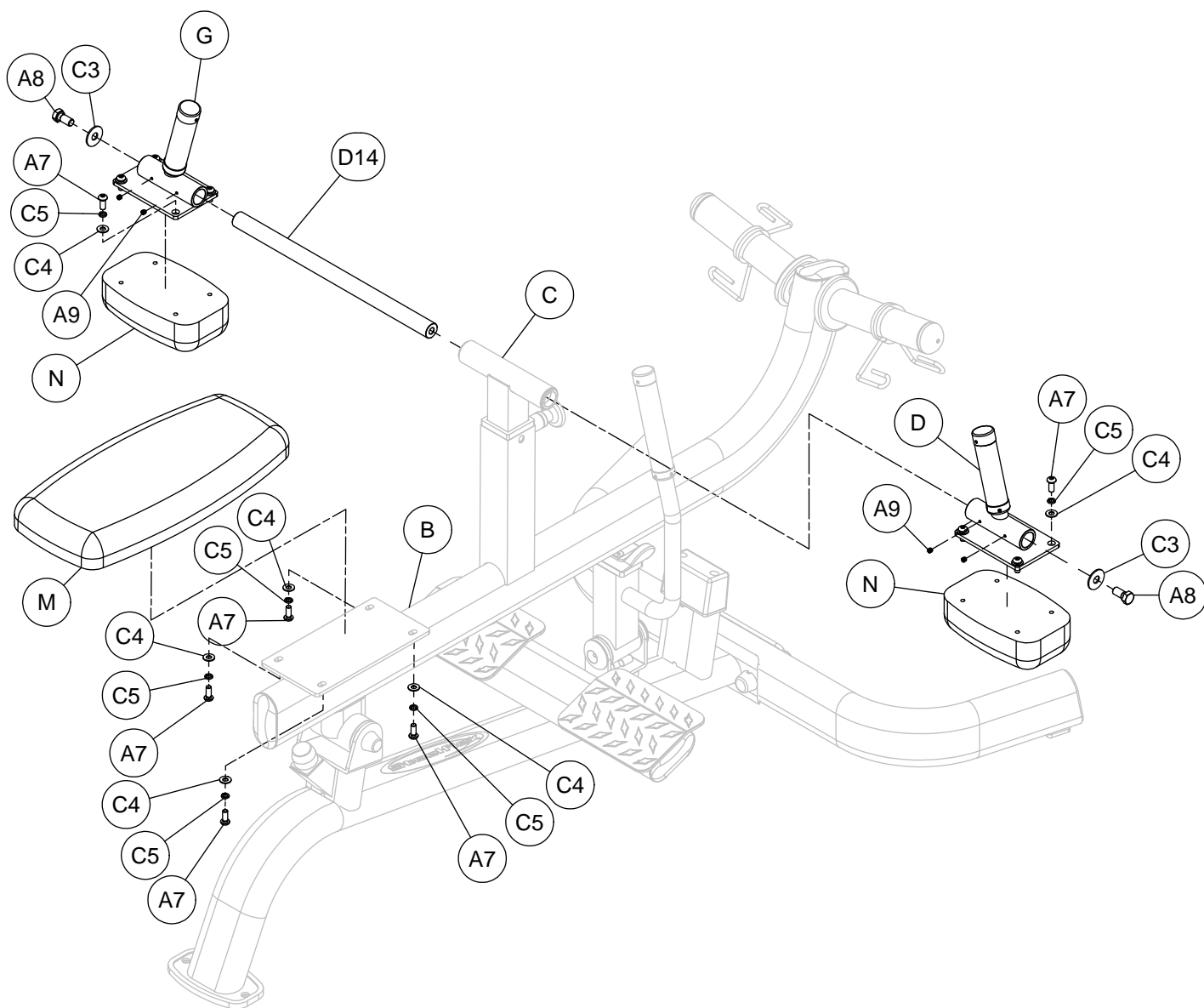


Above shows STEP 2  
assembled and completed





Above shows STEP 3  
assembled and completed





# PLSC.5

Exploded View

