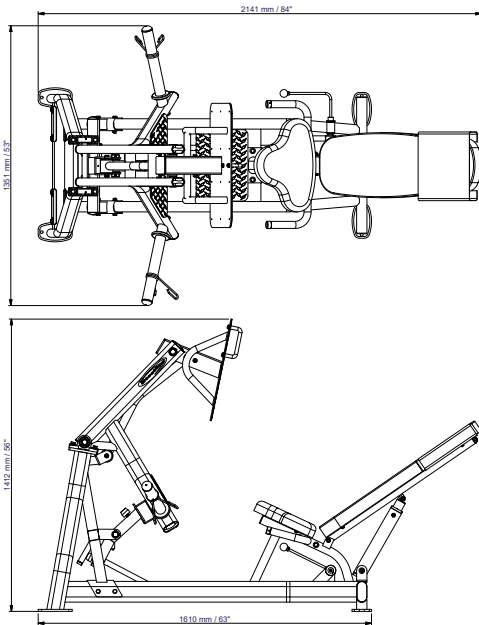


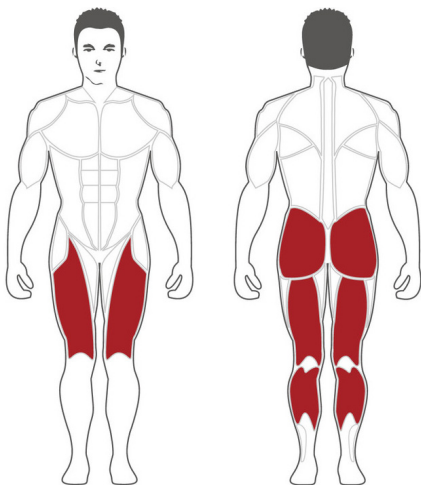
PLLP Plateload Leg Press Machine



The Steelflex Plate Load PLLP leg press machine, with its oversized rotating footplate, maintains the correct foot position throughout the range of motion.

Sealed bearing pivots and a specially designed adjustable safety stop system allow the user to choose between the half or full range of motion.

- Olympic weight posts (for use only with olympic weight plates)
- For both commercial and non-commercial use
- **Weight plates not included**



FEATURES

- 12 gauge steel frame, 5 x 10 cm oval tubing
- Electrostatically applied powder coating
- 50 mm CGPC high density foam upholstery & ergonomic design
- Industrial rated bearings, sealed bearings at all pivot points
- Dipped PVC handle
- Continuous welds at all pivot points
- Direct drive press system for accurate and effective weight resistance
- Angled and adjustable back support
- Comfortable, ergonomic design
- Large pivoting footplate for correct foot position

SPECIFICATIONS

Dimensions:	214 x 135 x 141.2 cm
Product weight:	98 kg
User capacity:	225 kg
Max. user weight:	120 kg

WARRANTY: COMMERCIAL AND RESIDENTIAL

Frame	15 years
Bearings	2 years
Upholstery & grips	6 months
Other parts	1 year