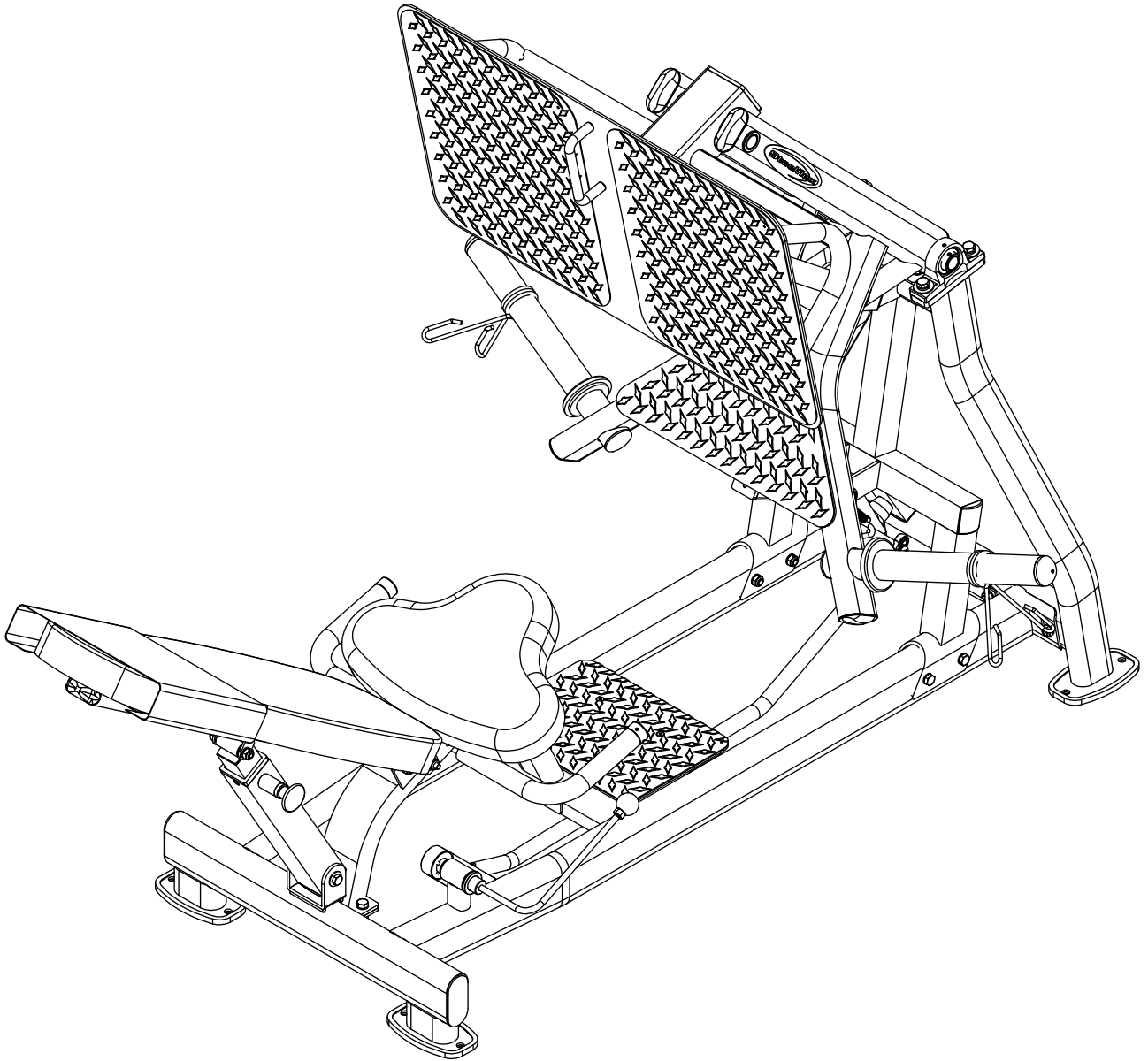


PLLP.6

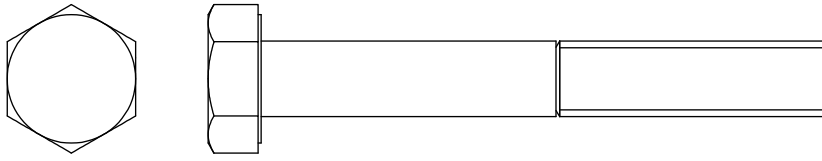


Assembly & Instructions
OWNER'S & MANUAL

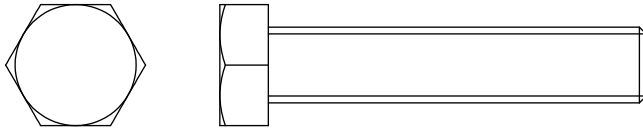
PLL.P.6 HARDWARE

shown in actual size

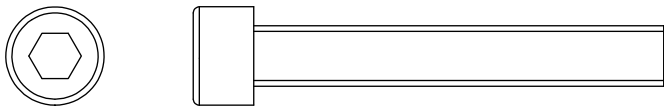
A1.M10X75 Hex Head Bolt Qty.8



A3.M10X50 Hex Head Bolt (Full Thread) Qty.2



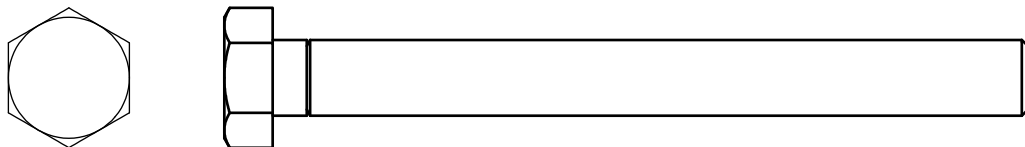
A4.M8X55 Socket Screw (Full Thread) Qty.2



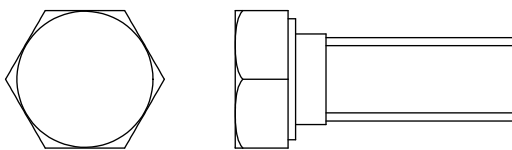
A5.M8X8 Grub Screw pre-installed Qty.7



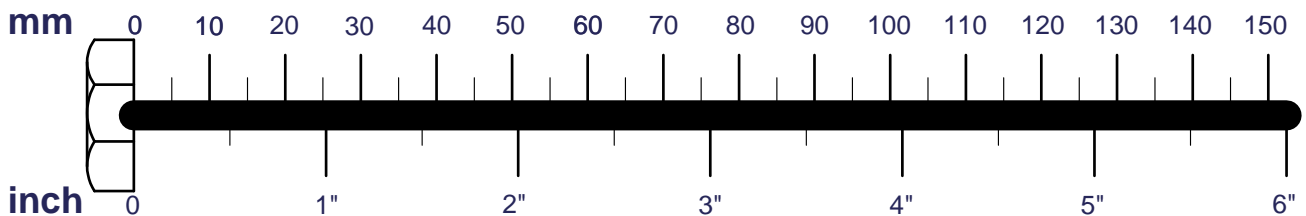
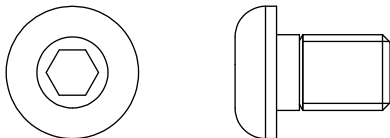
A6.M10X100 Hex Head Bolt Qty.3



A7.M12X30 Hex Head Bolt Qty.4



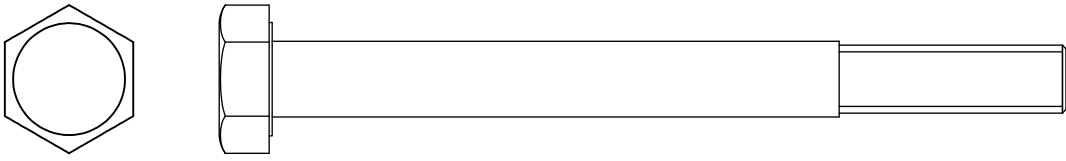
A10.M10X15 Allen Screw (pre-installed) Qty.2



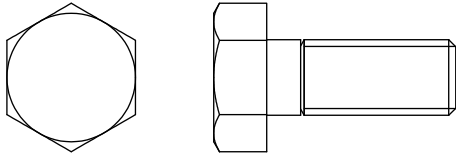
PLL.P.6 HARDWARE

shown in actual size

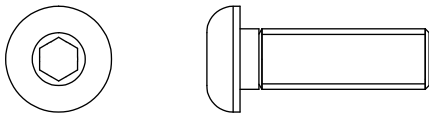
A8.M10X105 Hex Head Bolt Qty.2



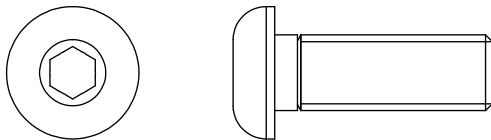
A9.M10X25 Hex Head Bolt Qty.2



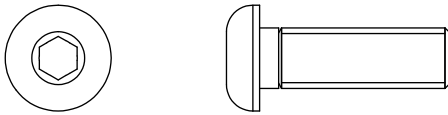
A11.M8X25 Allen Screw Qty.6



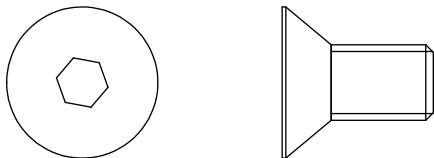
A12.M10X30 Allen Screw (Full Thread) pre-installed Qty.3



A13.M8X25 Allen Screw (Full Thread) pre-installed Qty.1



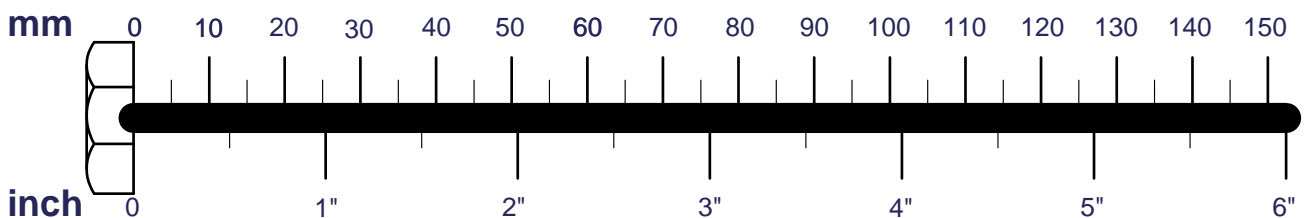
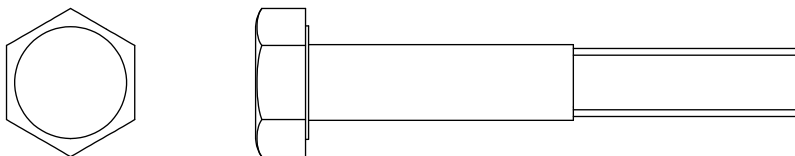
A14.M6X20 Taper Screw (Full Thread) Qty.2



A15.M5X5 Grub Screw pre-installed Qty.4



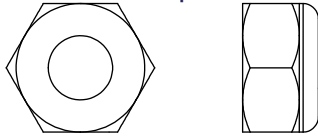
A17.M10X65 Hex Head Bolt Qty.2



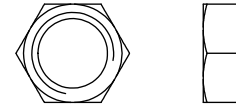
PLLP.6 HARDWARE

shown in actual size

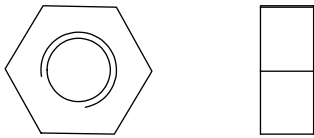
B1.M10 Nylon Lock Nut Qty.23
pre-installed 4pcs



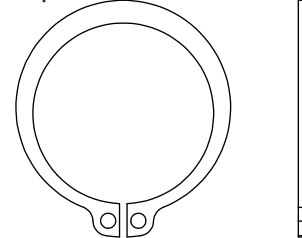
B3.M10 Nock Nut Qty.3
pre-installed(5T 1PCS)



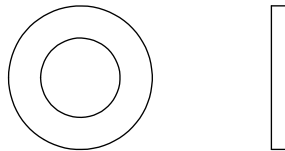
B2.3/8" Lock Nut Qty.3
pre-installed



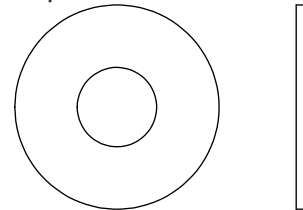
C9.Tach (Ø25) Qty.1
pre-installed



C3.M10 Washer (Ø19) Qty.44
pre-installed 6pcs



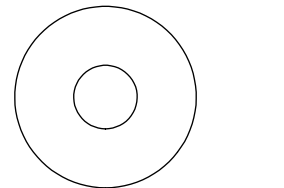
C2.M10 Washer (Ø27) Qty.3
pre-installed



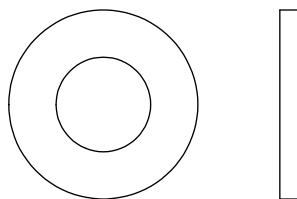
C5.M8 Spring Washer Qty.6



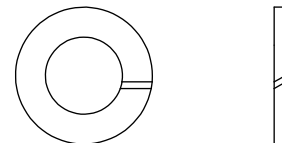
C4.M8 Washer (Ø24) Qty.6



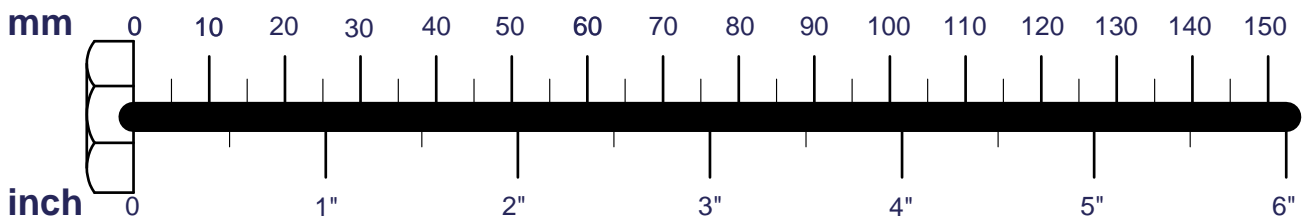
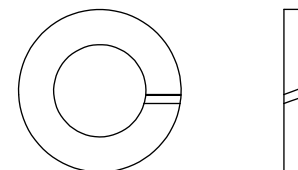
C7.M12 Washer (Ø24) Qty.4



C6.M10 Spring Washer Qty.4
pre-installed

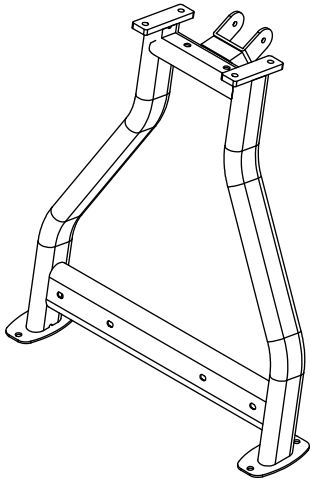


C8.M12 Spring Washer Qty.4

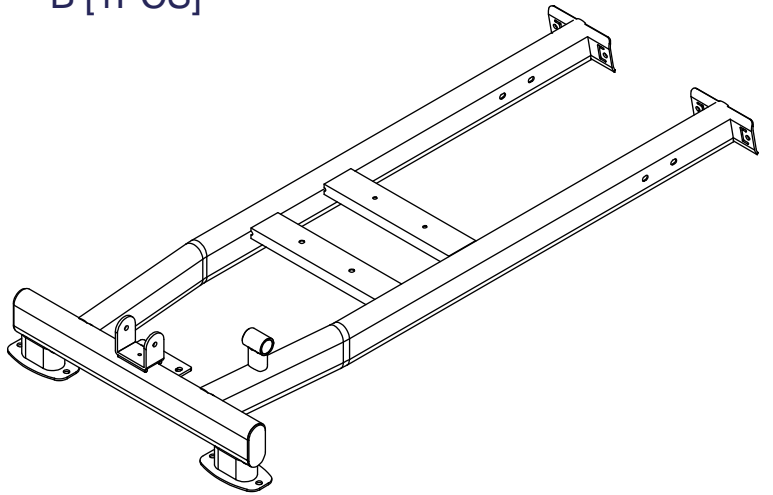


PLL.P.6 PARTS

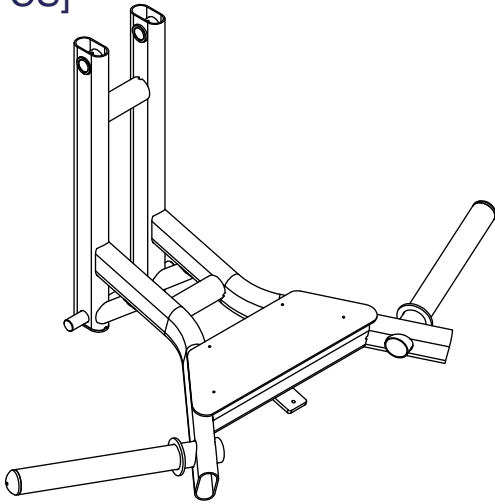
A [1PCS]



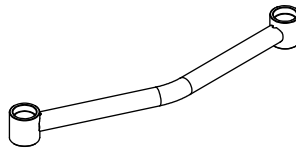
B [1PCS]



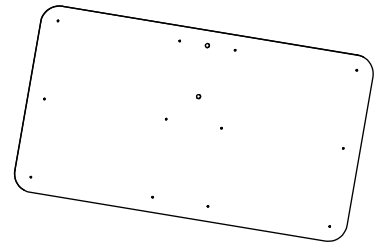
C [1PCS]



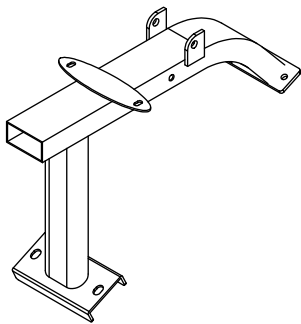
D [1PCS]



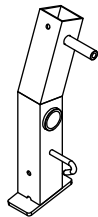
E [1PCS]



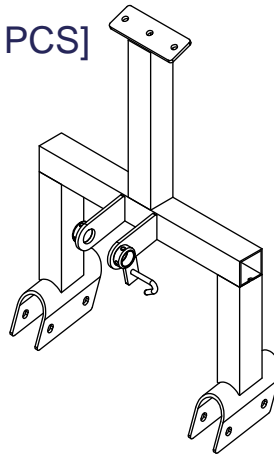
F [1PCS]



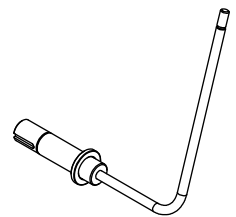
H [1PCS]



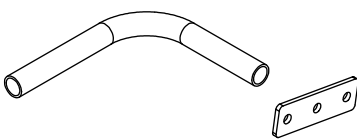
I [1PCS]



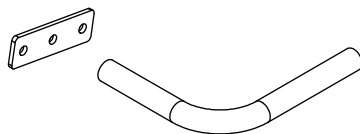
J [1PCS]



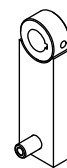
K [1PCS]



O [1PCS]



N [1PCS]

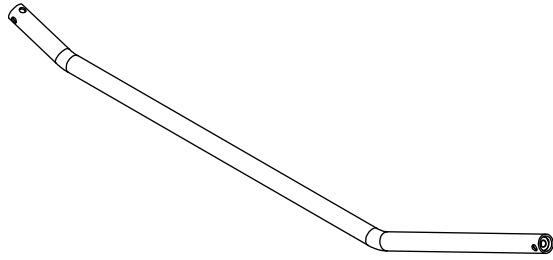


Q [1PCS]

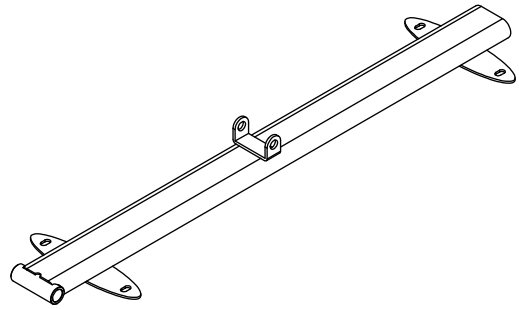


PLL.P.6 PARTS

L [1PCS]



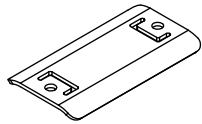
P [1PCS]



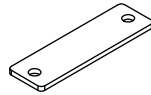
W [1PCS]



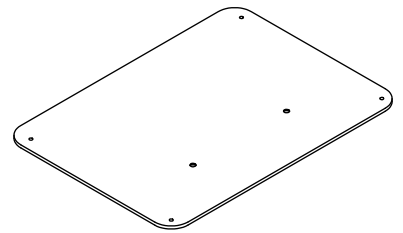
X [2PCS]
8323234



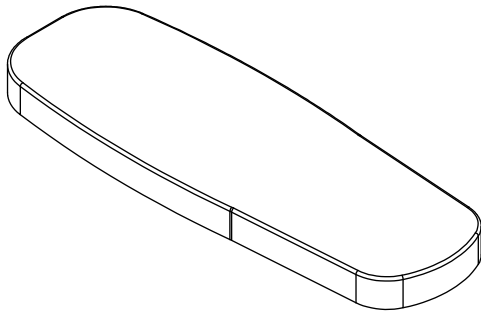
Y [1PCS]
8312067



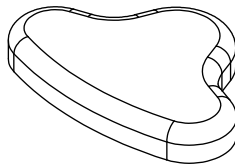
V [1PCS]
8370052



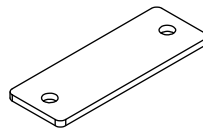
R [1PCS]
9111082



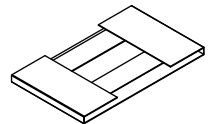
T [1PCS]
9144019



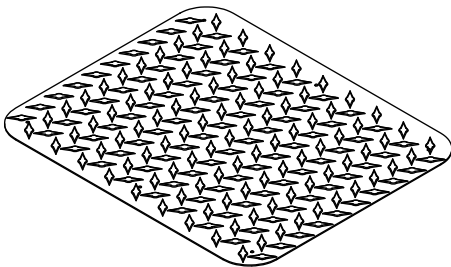
S [1PCS]
8312-090



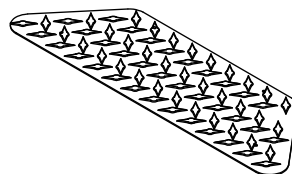
U [1PCS]
(9119-010)
pre-installed



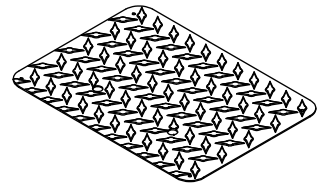
Z1 [2PCS]
8360-180
pre-installed



Z2 [1PCS]
8360-181
pre-installed

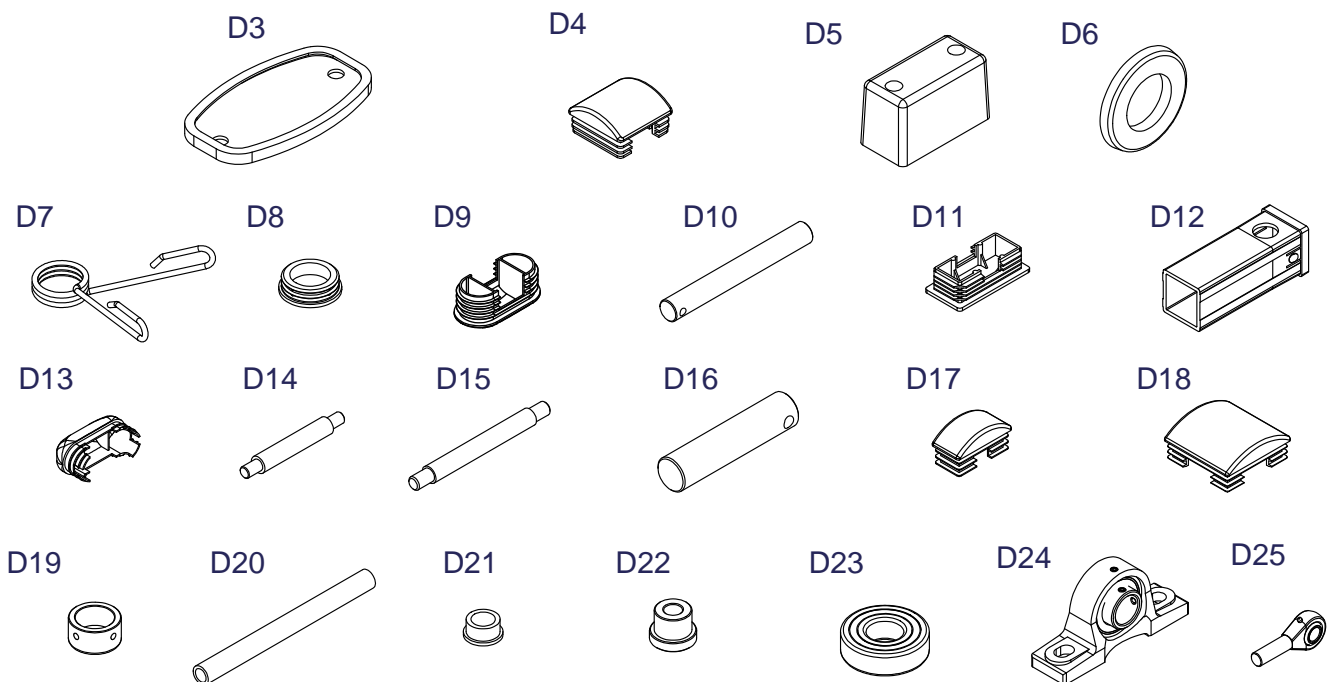
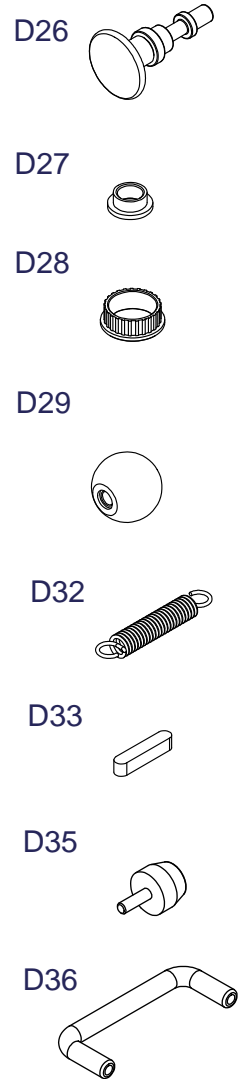


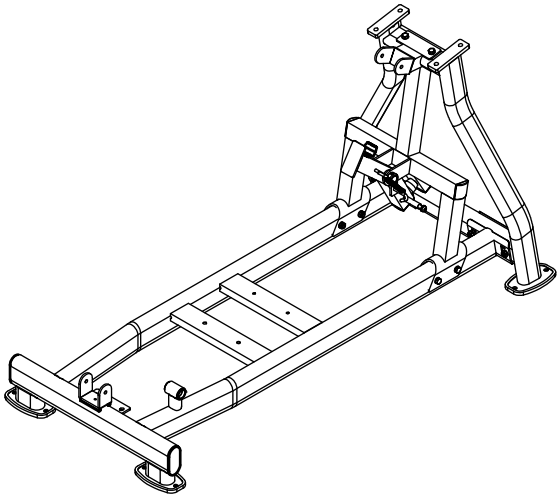
Z3 [1PCS]
8360-182
pre-installed



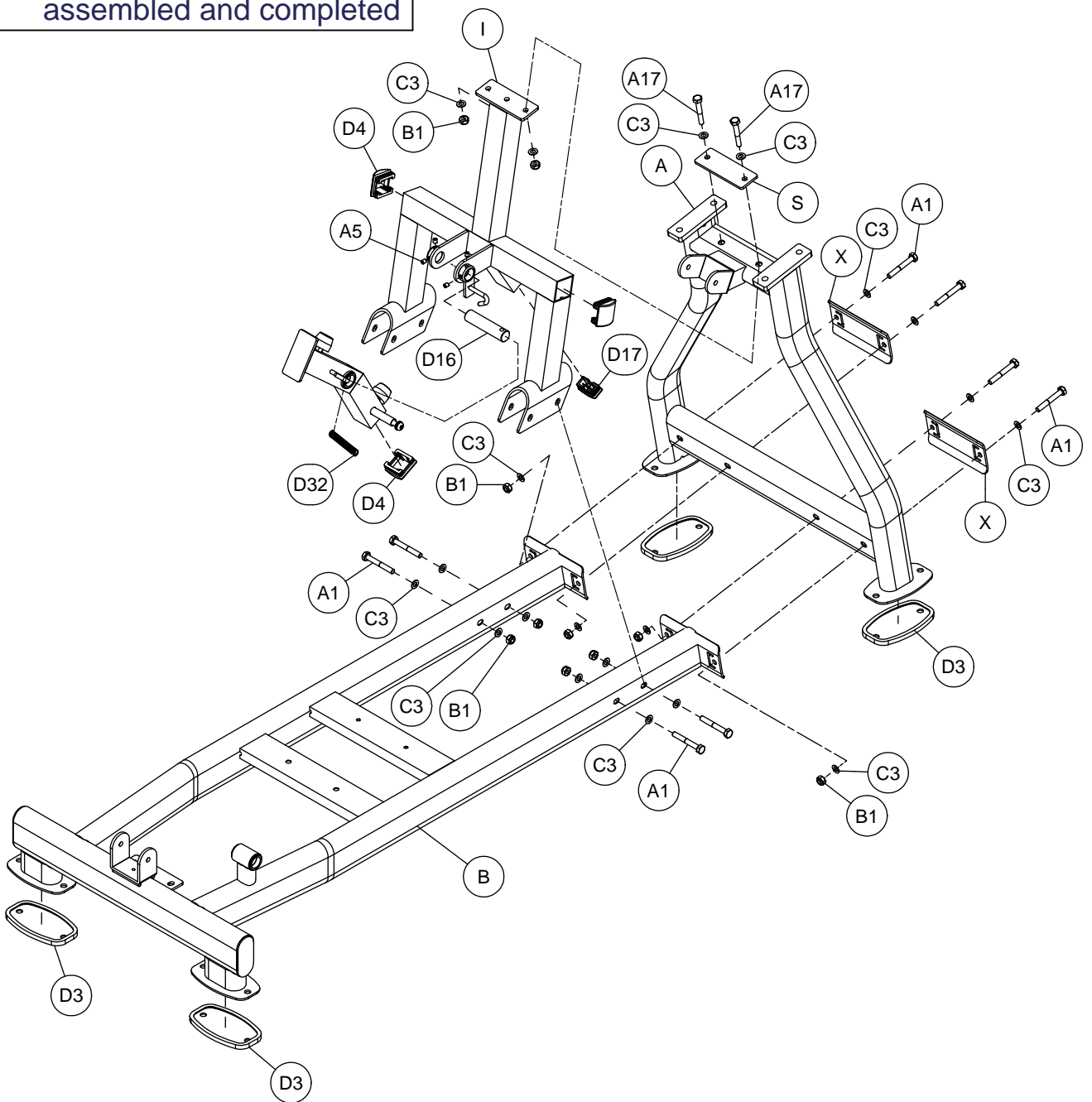
PLL.P.6 PARTS

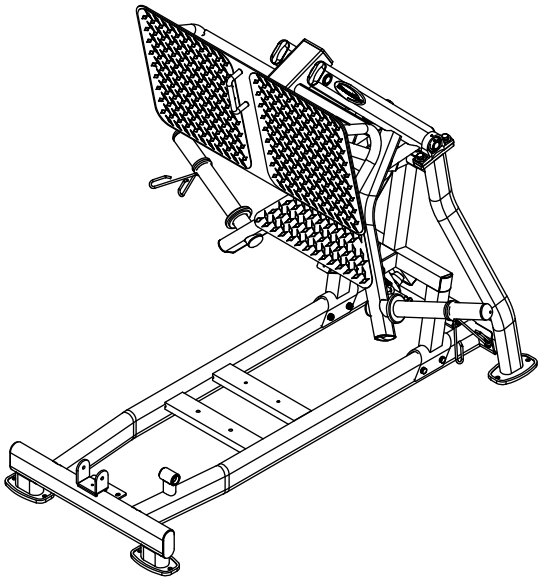
D3.Rubber Insert (9310-076).....	[4PCS]	
D4.50X1.8 End Cap (9211-087).....	[3PCS]	
D5.Block Rubber (9310-077).....	[1PCS]	
D6.Rubber Dount(9310-016).....	[2PCS]	
D7.Pinch Cock (OC-06).....	[2PCS]	
D8.Ø50 End Cap (9211-020).....	[2PCS]	
D9.40X80 End Cap (9211-192).....	[4PCS]	
D10.Shaft (8220-068) pre-installed.....	[1PCS]	
D11.40x80 End Cap (9211-010).....	[1PCS]	
D12.Nylon Bushing (9211-047).....	[1PCS]	
D13.30X70 End Cap (9261-061).....	[1PCS]	
D14.Double Thread screw (8260-006) pre-installed.....	[1PCS]	
D15.Double Thread screw (8260-030) pre-installed.....	[1PCS]	
D16.Shaft (8220-226) pre-installed.....	[1PCS]	
D17.25X50 End Cap (9211-086).....	[2PCS]	
D18.60X60 End Cap (9211-092).....	[1PCS]	
D19.Chrone Collar (8890-061) pre-installed.....	[2PCS]	
D20.Impregnated With Handle (9162-164) pre-installed.....	[2PCS]	
D21.Oilite Bushing (8520-001) pre-installed.....	[4PCS]	
D22.Fulley Spacer (8120-082) pre-installed.....	[4PCS]	
D23.Bearing (8510-020) pre-installed.....	[4PCS]	
D24.Bearing(8510-005) pre-installed.....	[2PCS]	
D25.Bearing(8510-025) pre-installed.....	[2PCS]	
D26.1/2"X38 Pop Pin(8250-065G) pre-installed.....	[1PCS]	
D27.Oilite Bushing (8520-011) pre-installed.....	[2PCS]	
D28.Oilite Bushing(8520-005) pre-installed.....	[6PCS]	
D29.Railing (9215-008) pre-installed.....	[1PCS]	
D32.Compression Spring (8840-018).....	[1PCS]	
D33.Key 6x6x30 pre-installed.....	[1PCS]	
D35.Rubber Stopper (9310-018) pre-installed.....	[3PCS]	
D36.Dipping Handle (8240-106) pre-installed.....	[1PCS]	



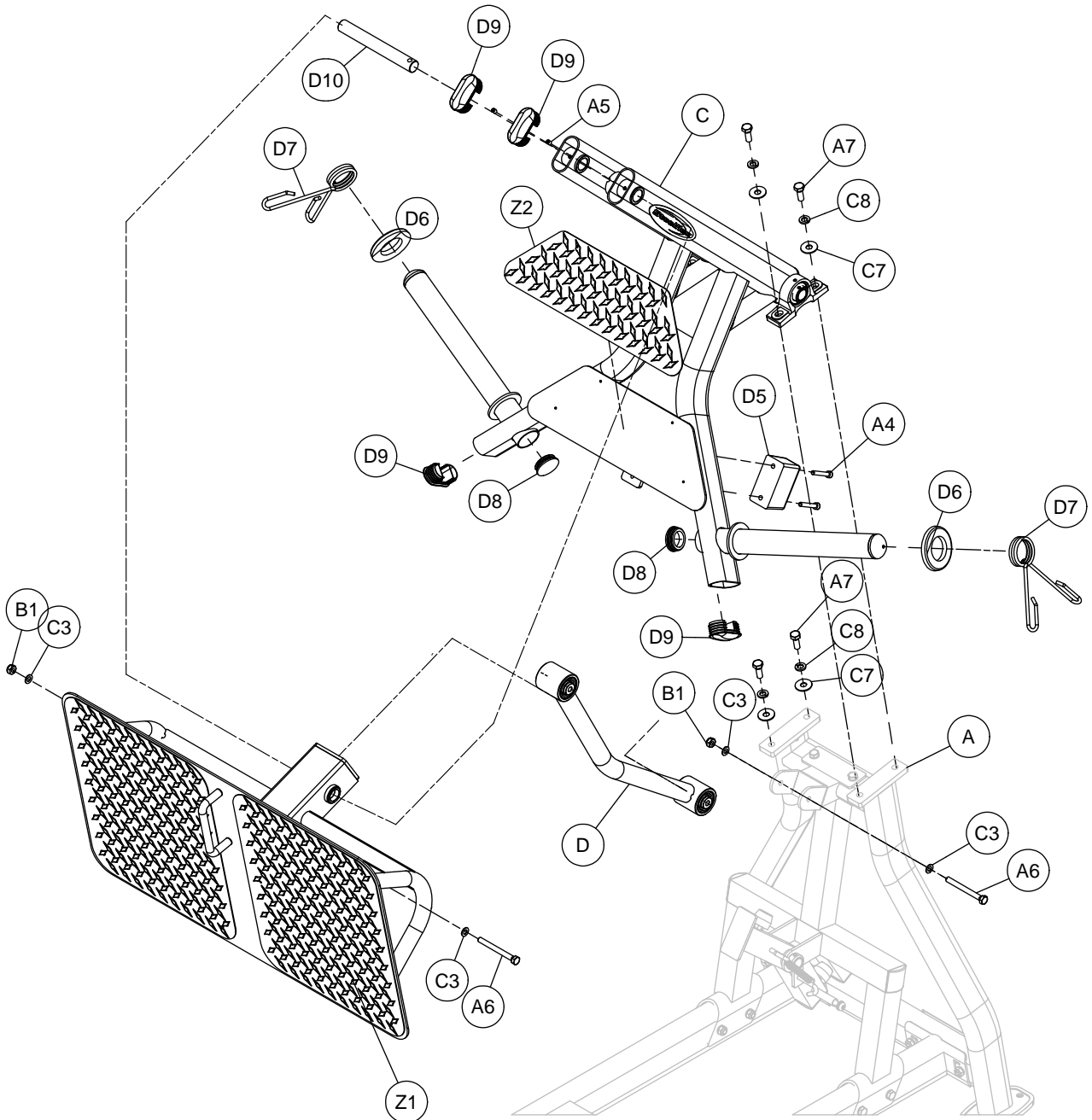


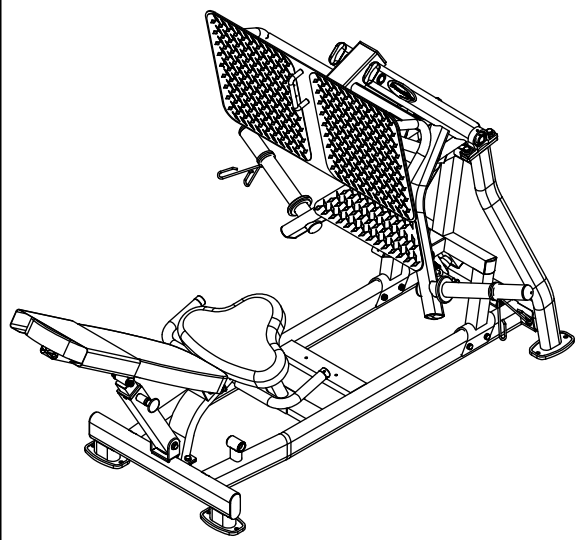
Above shows STEP 1 assembled and completed



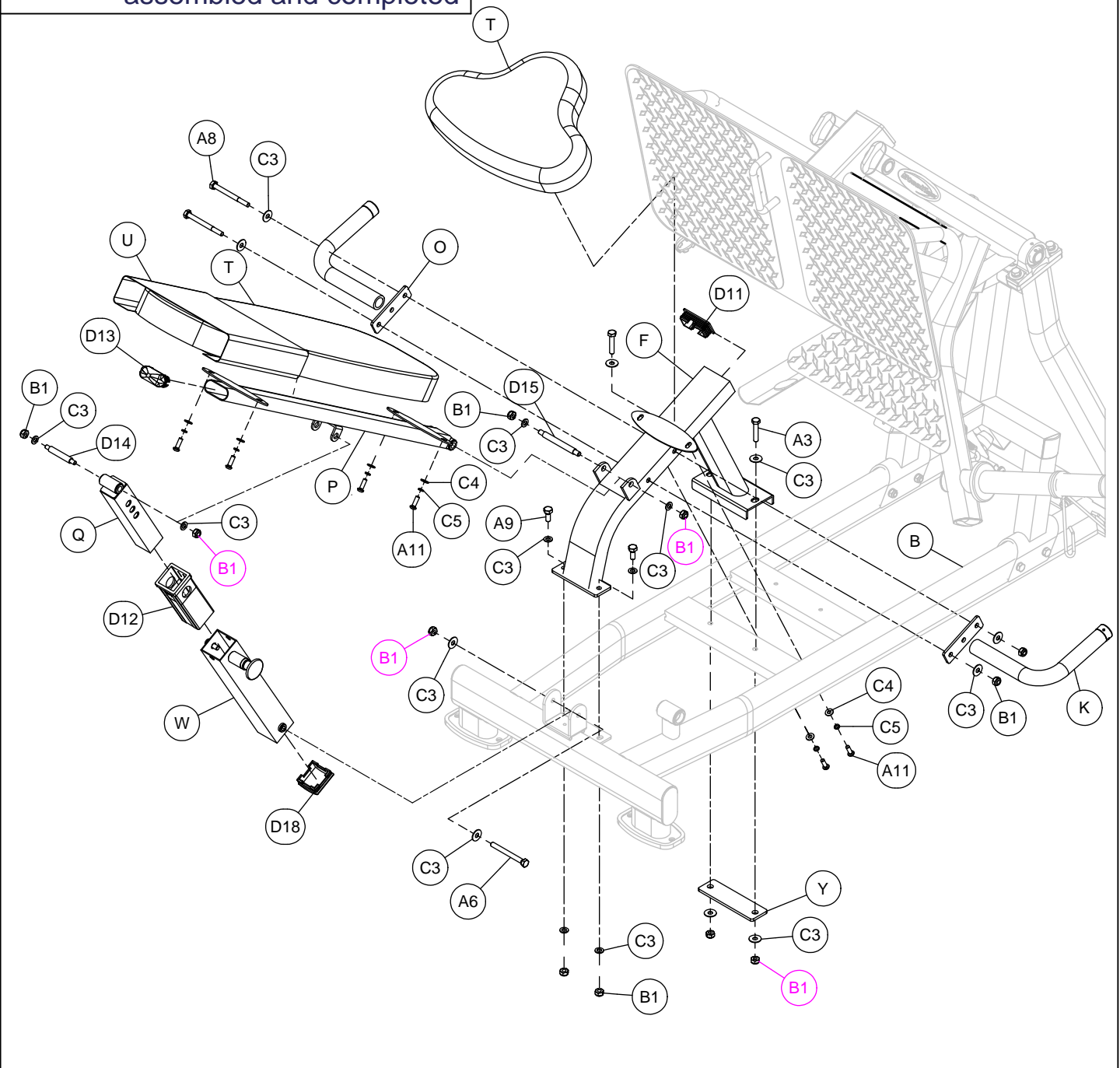


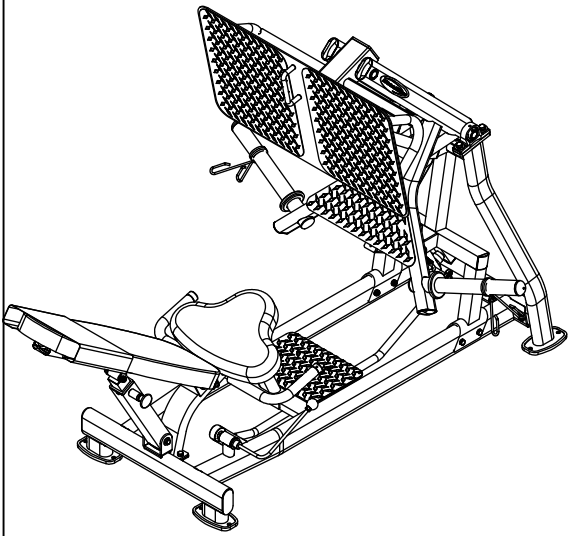
Above shows STEP 2 assembled and completed



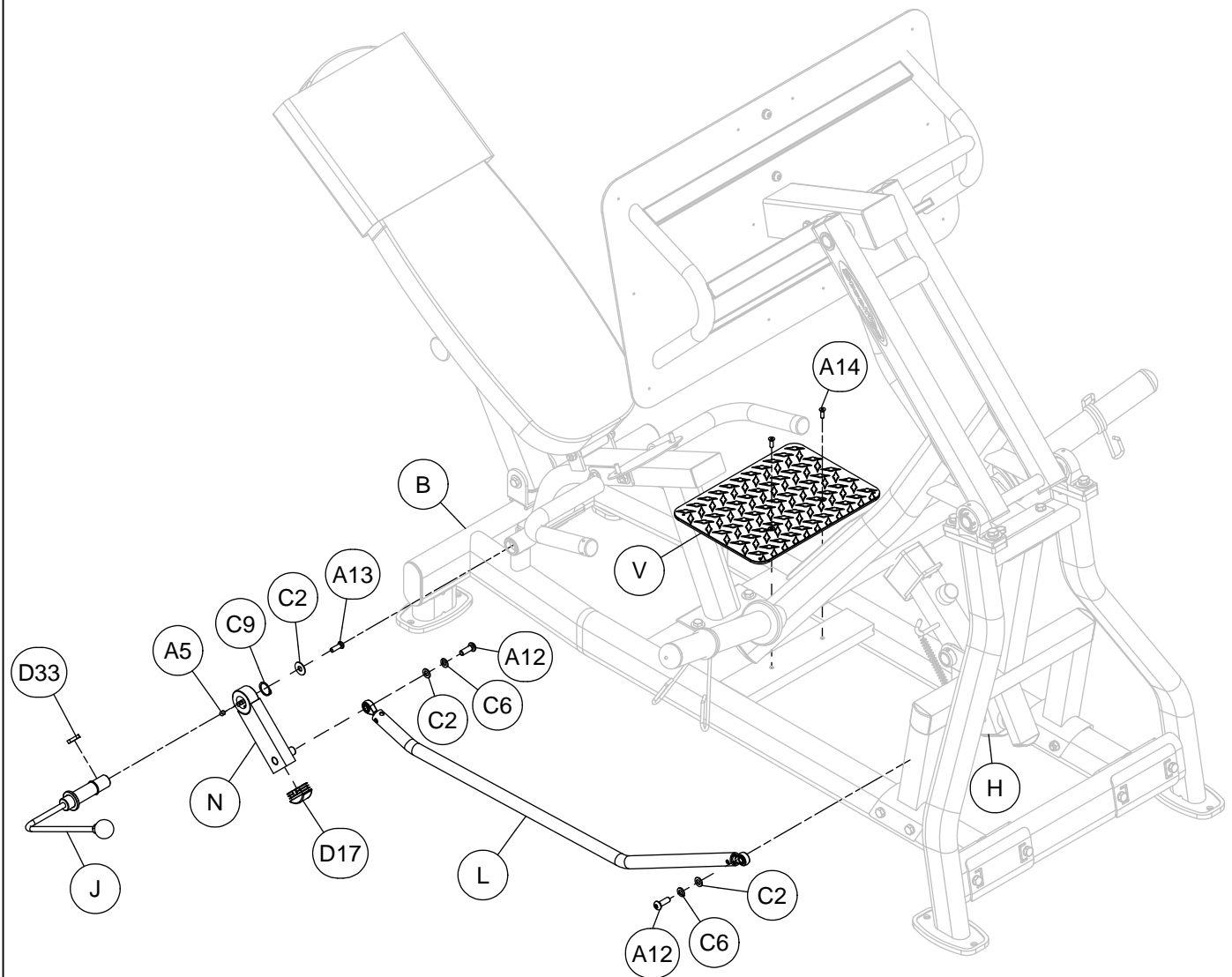


Above shows STEP 3 assembled and completed





Above shows STEP 4 assembled and completed



PLLP.6

Exploded View

