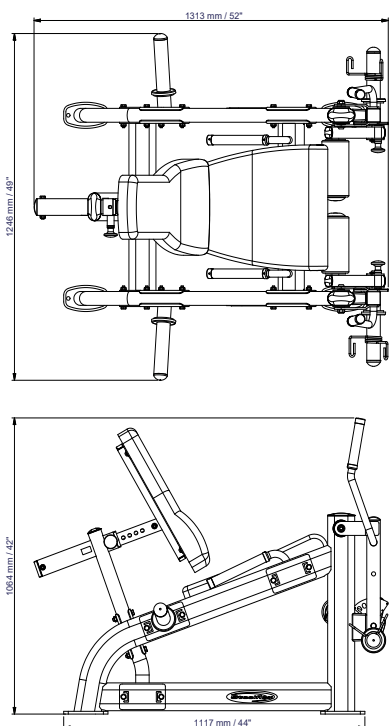
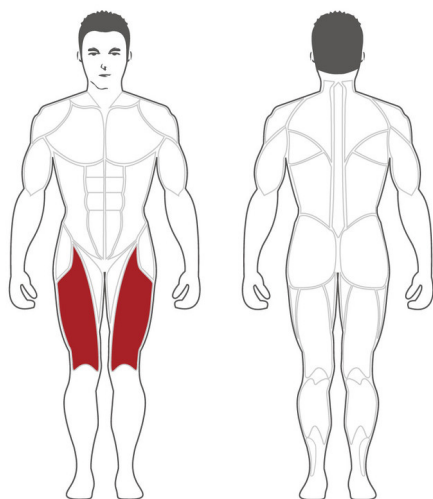


# PLLE Plateload Leg Extension Machine



The Steelflex Plate Load PLLE leg extension machine has an exact 100° angle between the seat and back rest pad increasing user comfort and encouraging full quadriceps contraction without hamstring flexibility limitations. Both legs can be used together or independently.

- Olympic weight posts (for use only with olympic weight plates)
- For both commercial and non-commercial use
- **Weight plates not included**



## FEATURES

- 12 gauge steel frame, 5 x 10 cm oval tubing
- Electrostatically applied powder coating
- 50 mm CGPC high density foam upholstery & ergonomic design
- Dipped PVC handle
- Industrial rated bearings, sealed bearings at all pivot points
- Continuous welds at all pivot points
- Direct link movement arm design enhances smooth and continuous range of motion.
- Adjustable foot roller to accommodate different size users
- 100° angle between seat and back pad for comfort
- Both legs can be used together or independently.

## SPECIFICATIONS

Dimensions:	131.3 x 124.6 x 106.4 cm
Product weight:	75 kg
Max. user weight:	120 kg

## WARRANTY: COMMERCIAL AND RESIDENTIAL

Frame	15 years
Bearings	2 years
Upholstery & grips	6 months
Other parts	1 year