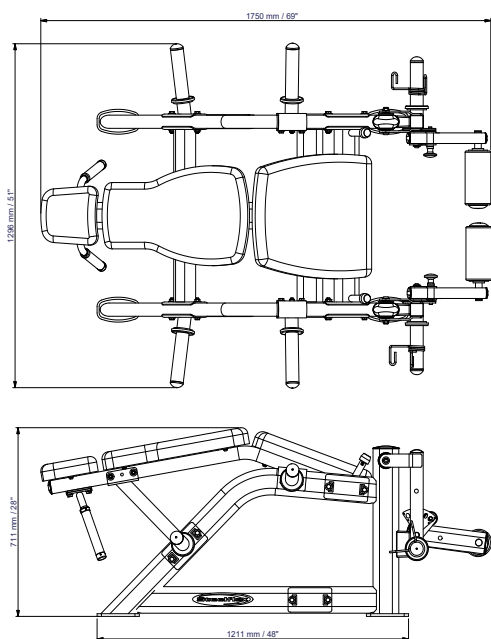
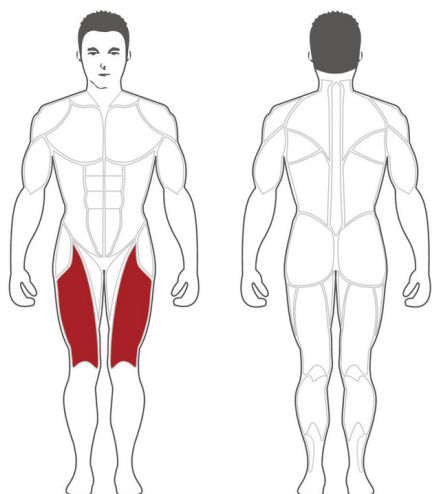


PLLC Plateload Leverage Leg Curl Machine



The Steelflex Plate Load PLLC Leverage Leg Curl is a high performance leg curl machine that offers five levels of adjustment. Both legs can be used together or independently providing an ideal and comfortable workout setting

- Olympic weight posts (for use only with olympic weight plates)
- For both commercial and non-commercial use
- **Weight plates not included**



FEATURES

- 12 gauge steel frame, 5 x 10 cm oval tubing
- Electrostatically applied powder coating
- 50 mm CGPC high density foam upholstery & ergonomic design
- Dipped PVC handle
- Industrial rated bearings, sealed bearings at all pivot points
- Direct link movement arm design - enhances smooth and continuous range of motion
- V-bench design provides total hamstring isolation. Helps reduce back stress and unwanted knee forces
- Adjustable foot rollers to accommodate all user sizes
- Side grip handles for extra stability and control during workouts

SPECIFICATIONS

Dimensions:	175 x 129.6 x 71 cm
Product weight:	71 kg
Max. user weight:	120 kg

WARRANTY: COMMERCIAL AND RESIDENTIAL

Frame	15 years
Bearings	2 years
Upholstery & grips	6 months
Other parts	1 year