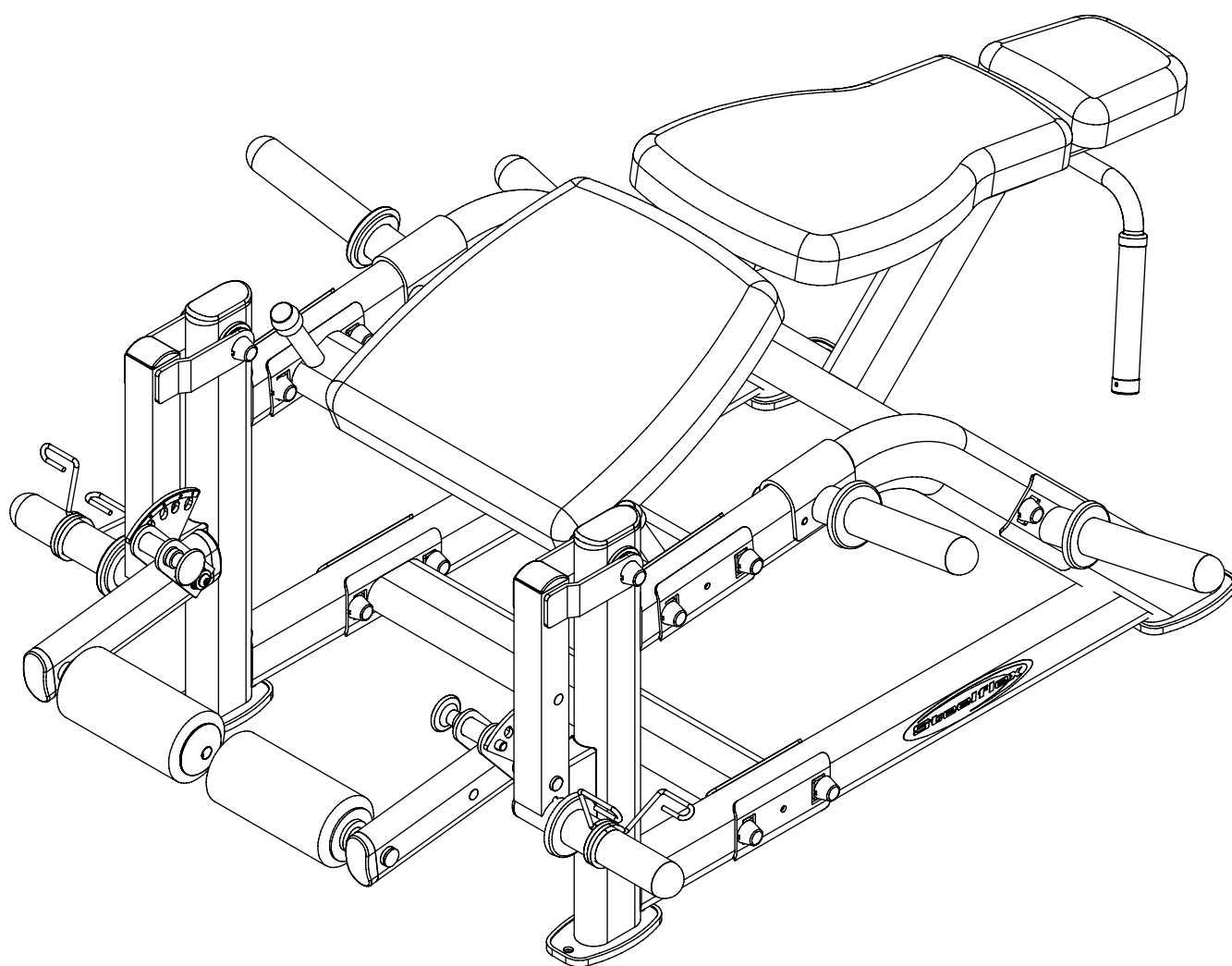


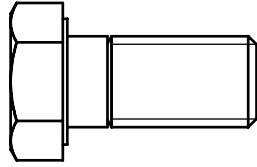
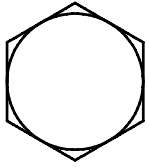
PLLC.1



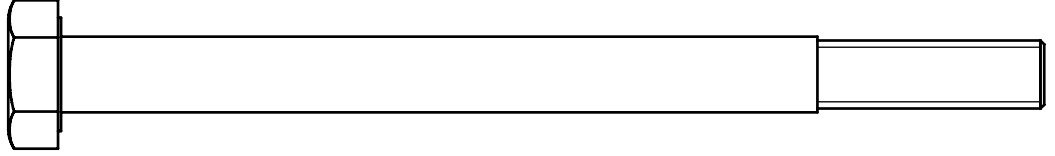
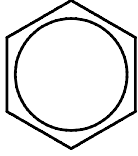
Assembly & Instructions
OWNER'S & MANUAL

PLLC.1 HARDWARE

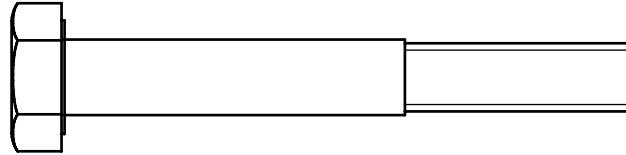
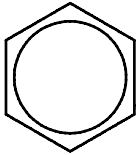
(shown in actual size)



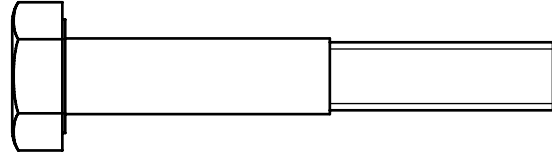
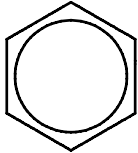
A1. M12x20 HEX HEAD SCREW...2PCS



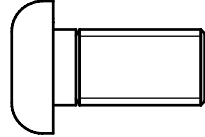
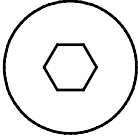
A2. M10x130 HEX HEAD SCREW...2PCS



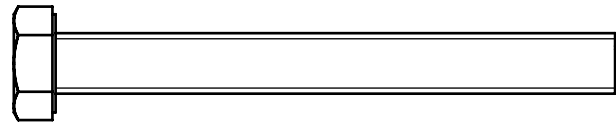
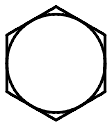
A3. M10x75 HEX HEAD SCREW...12PCS



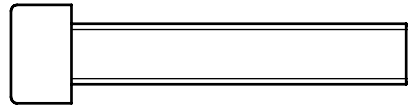
A4. M10x65 HEX HEAD SCREW...4PCS



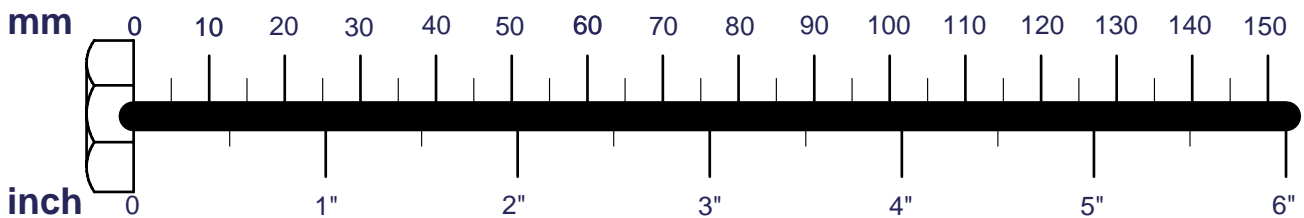
A5. M10x20 ALLEN SCREW(FULL THREAD)...2PCS(Pre-installed)



A6. M8x75 HEX HEAD SCREW...3PCS

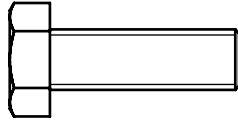
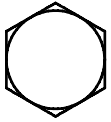


A7. M8x45 SOCKET SCREW(FULL THREAD)...4PCS



PLLC.1 HARDWARE

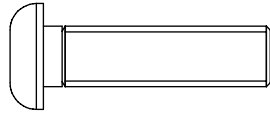
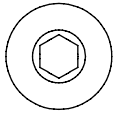
(shown in actual size)



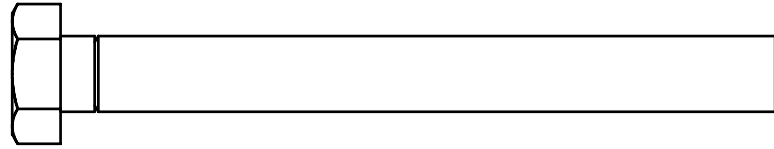
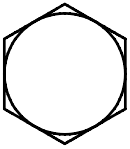
A8. M8x25 HEX HEAD SCREW...6PCS



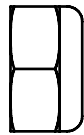
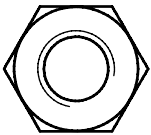
A10. M5x5 GRUB SCREW...8PCS (Pre-installed)



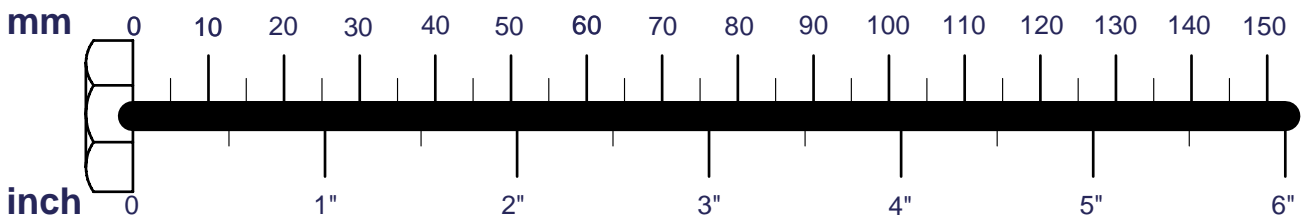
A11. M8X30L ALLEN SCREW(FULL THREAD)...2PCS



A12. M10x95 HEX HEAD SCREW...1PCS

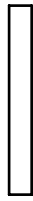
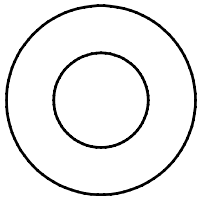


B1. M10 NYLON LOCK NUT...16PCS

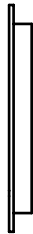
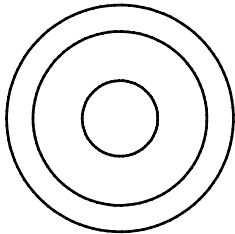


PLLC.1 HARDWARE

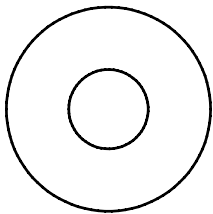
(shown in actual size)



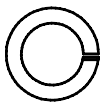
C1. M12 WASHER(\varnothing 25)...2PCS



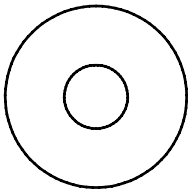
C2. M10 PLATE WASHER(\varnothing 30)...32PCS



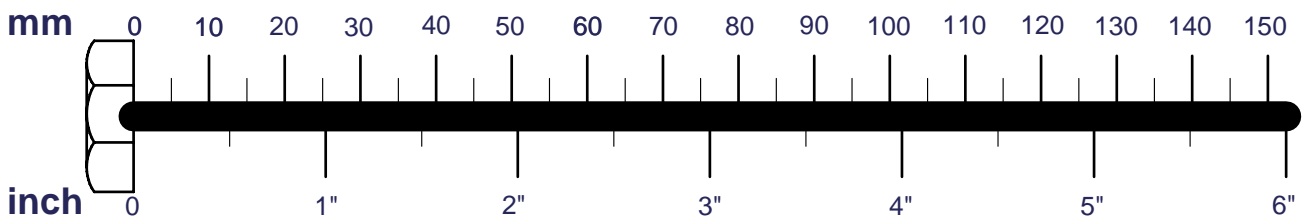
C3. M10 WASHER(\varnothing 27)...6PCS(Pre-installed 2PCS)



C4. M8 SPRING WASHER...11PCS

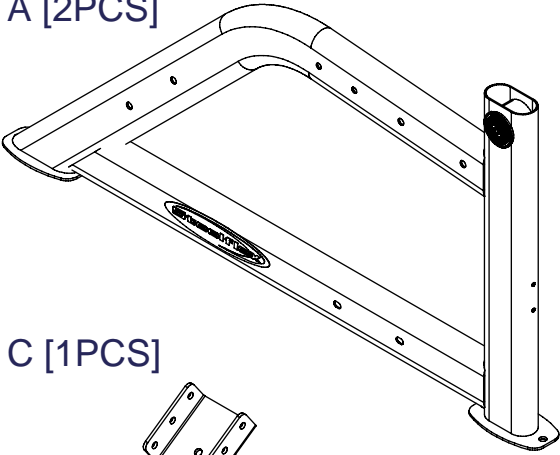


C5. M8 WASHER(\varnothing 24)...9PCS

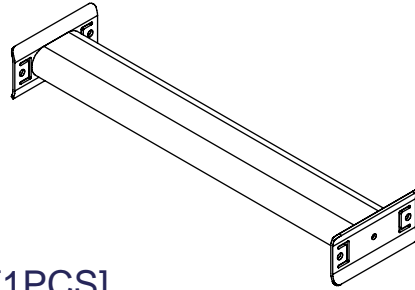


PLLC.1 PARTS

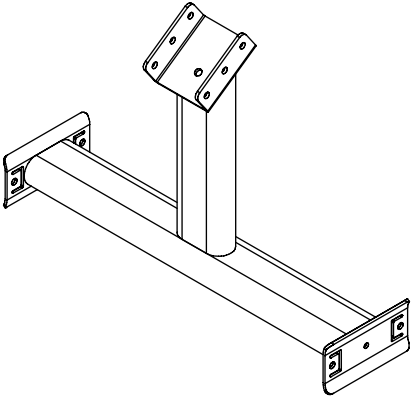
A [2PCS]



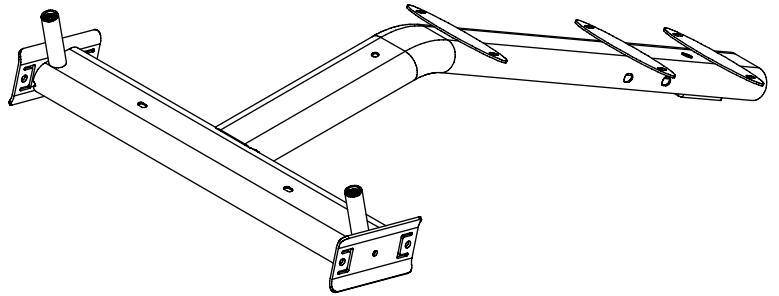
B [1PCS]



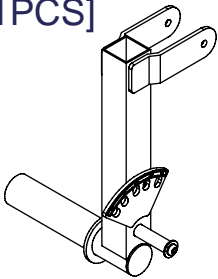
C [1PCS]



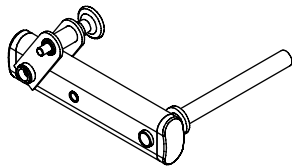
D [1PCS]



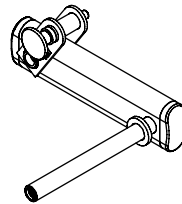
F [1PCS]



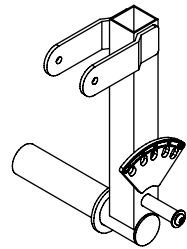
G [1PCS]



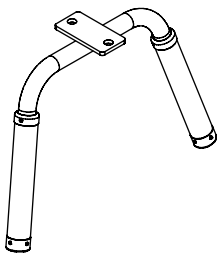
H [1PCS]



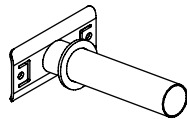
I [1PCS]



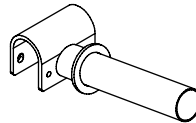
J [1PCS]



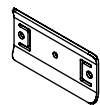
L [2PCS]
6730002



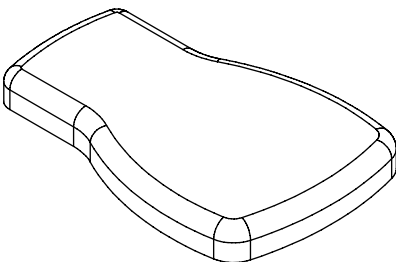
M [2PCS]
6730001



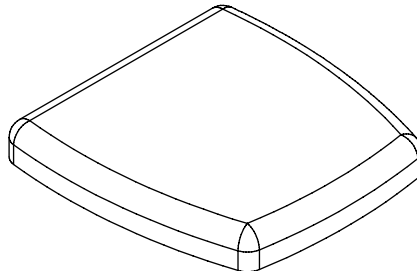
K [4PCS]
8323188



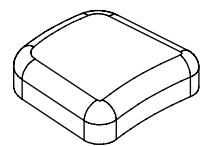
P [1PCS]
9111071



Q [1PCS]
9121076



N [1PCS]
9131025



PLLC.1 PARTS

D1. Co er Washer (8520-007)	[2PCS]
D2. Chrome collar (8890-061) (Pre-installed).....	[2PCS]
D3. End cap (9211-074)	[6PCS]
D4. 50X50 End cap (9211-087)	[2PCS]
D5. 40x80 End Cap (9211-113) (Pre-installed).....	[4PCS]
D6. 50x100 End Cap (9211-114)	[3PCS]
D7. Rubber stop (9310-018) (Pre-installed).....	[2PCS]
D8. Nylon washer (9214-008)	[2PCS]
D9. Rubber Dount (9310-016)	[6PCS]
D10. Rubber Insert (9310-076)	[4PCS]
D11. Block Rubber (9310-078)	[2PCS]
D12. Pinch Cock (OC-06)	[2PCS]
D13. Cap sheath (9212-026)	[32PCS]
D14. Chrome collar (8130-253) (Pre-installed).....	[2PCS]
D15. Bearing (8510-020) (Pre-installed).....	[4PCS]
D16. End cap (9211-016)	[2PCS]
D17. Foam grip (9162-004) (Pre-installed).....	[2PCS]
D19. Flat head pop pin (8250-122G) (Pre-installed).....	[2PCS]
D20. Copper sheath (8520-003)(Pre-installed).....	[4PCS]
D21. Foam roller (9161-009)	[2PCS]
D22. End cover (9211-157)	[2PCS]
D23. Sheath (8120-105)(Pre-installed).....	[4PCS]

D1



D2



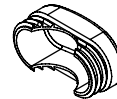
D3



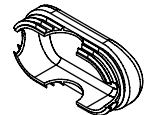
D4



D5



D6



D7



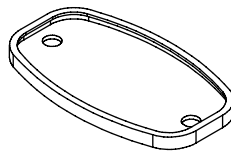
D8



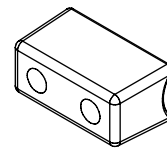
D9



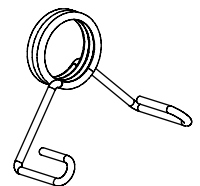
D10



D11



D12



D13



D14



D15



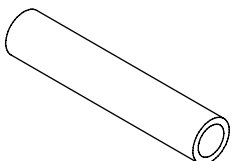
D16



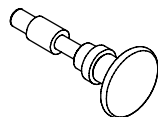
D22



D17



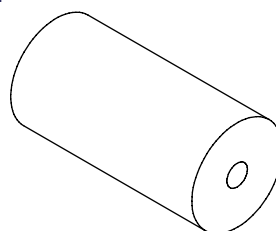
D19



D20

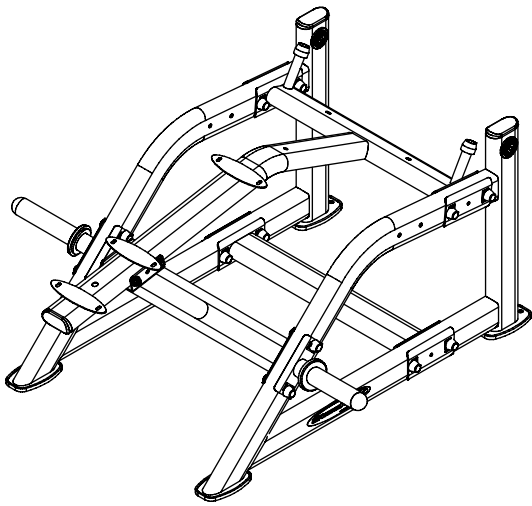


D21

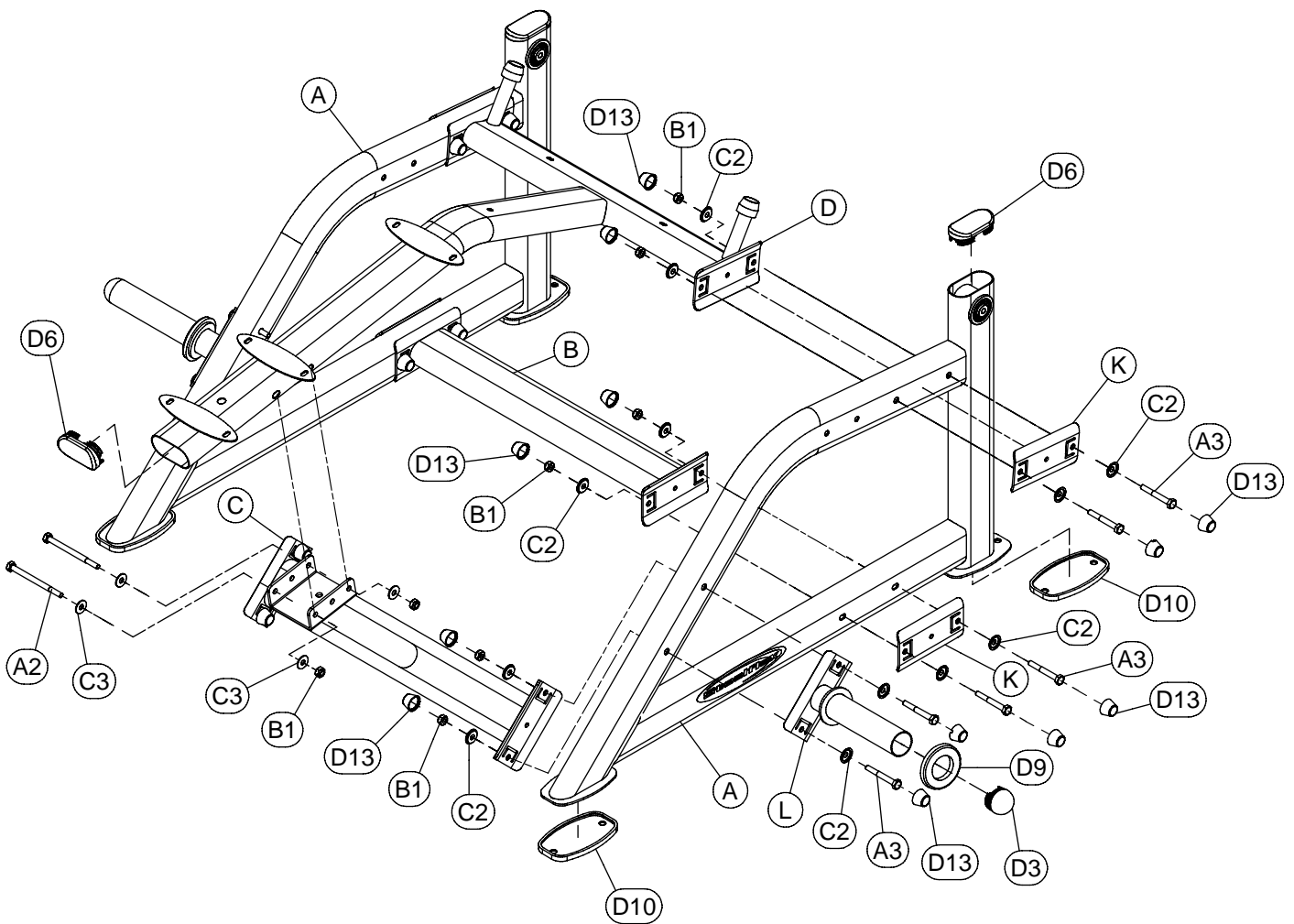


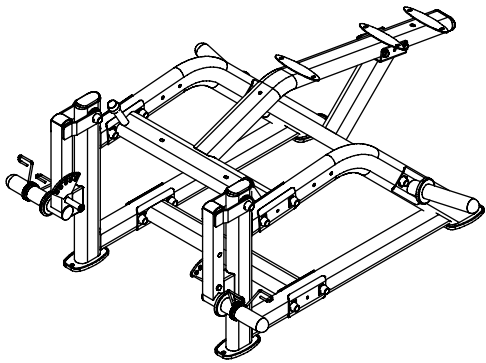
D23



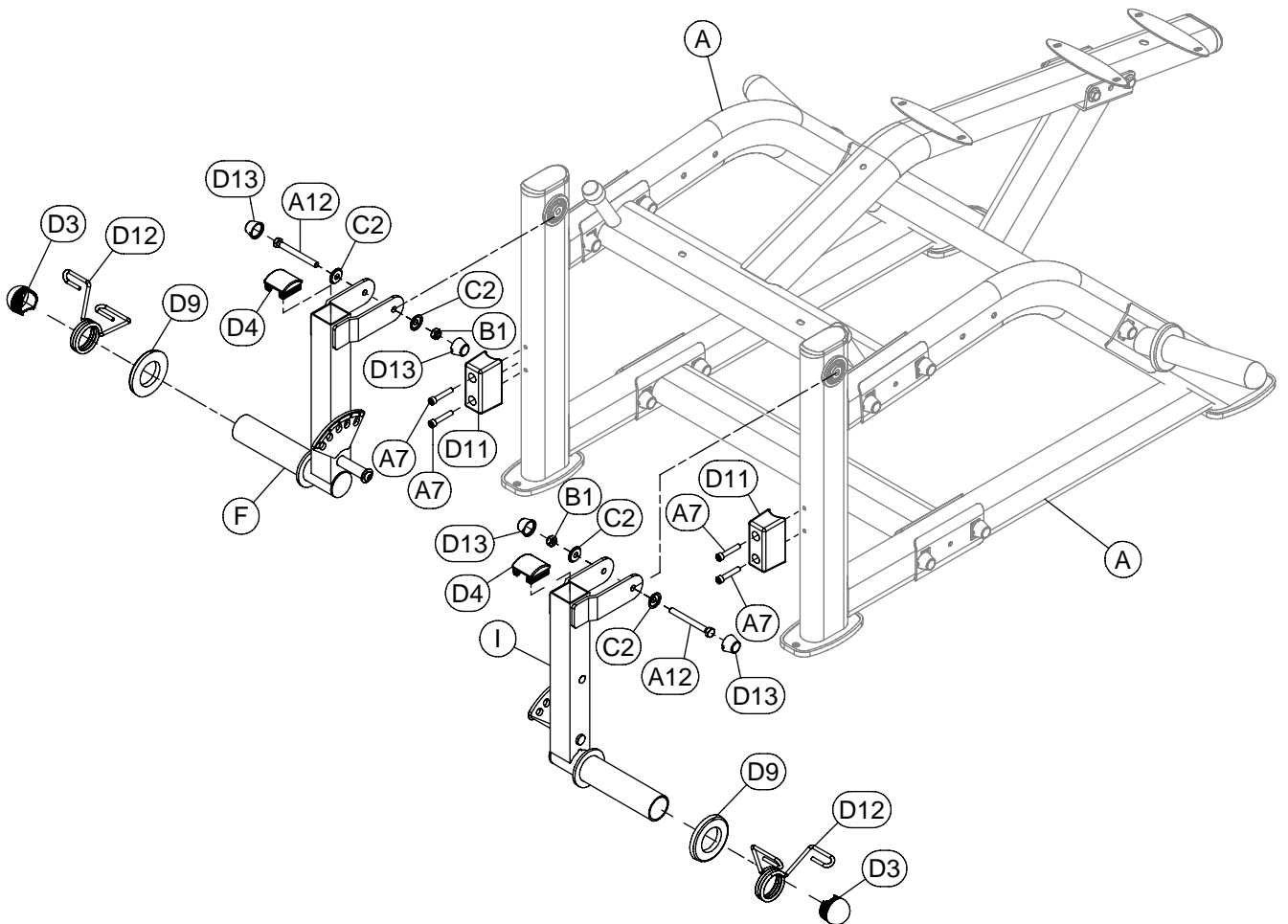


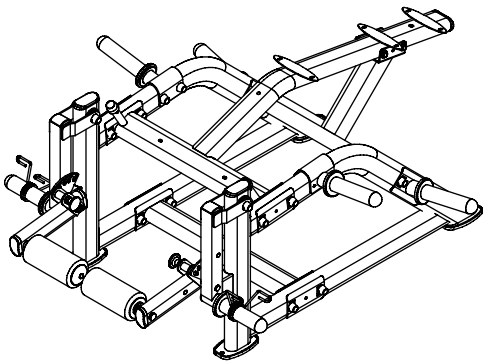
Above shows STEP 1 assembled and completed



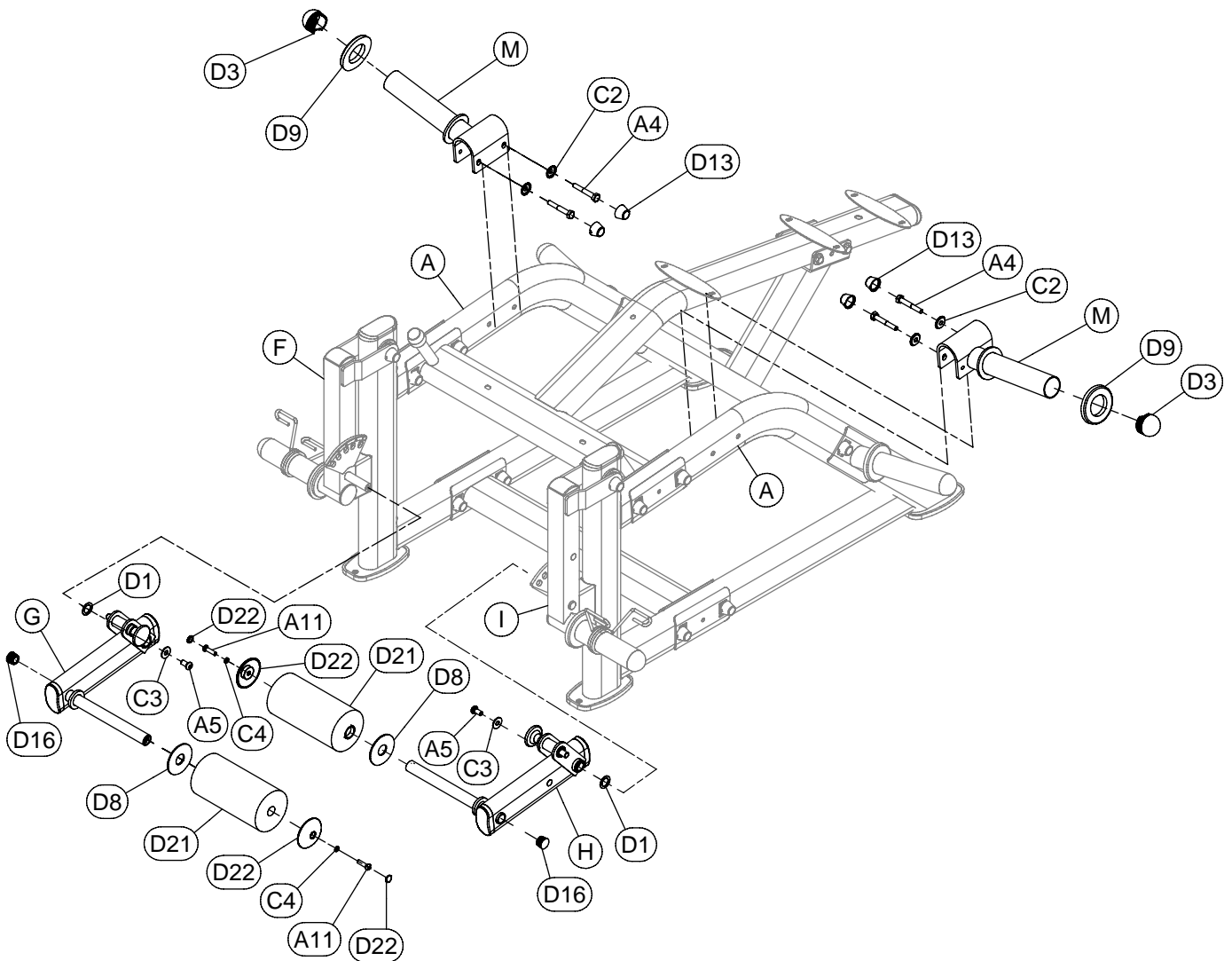


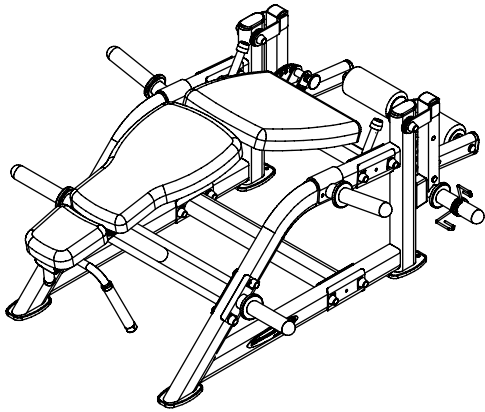
Above shows STEP 2 assembled and completed



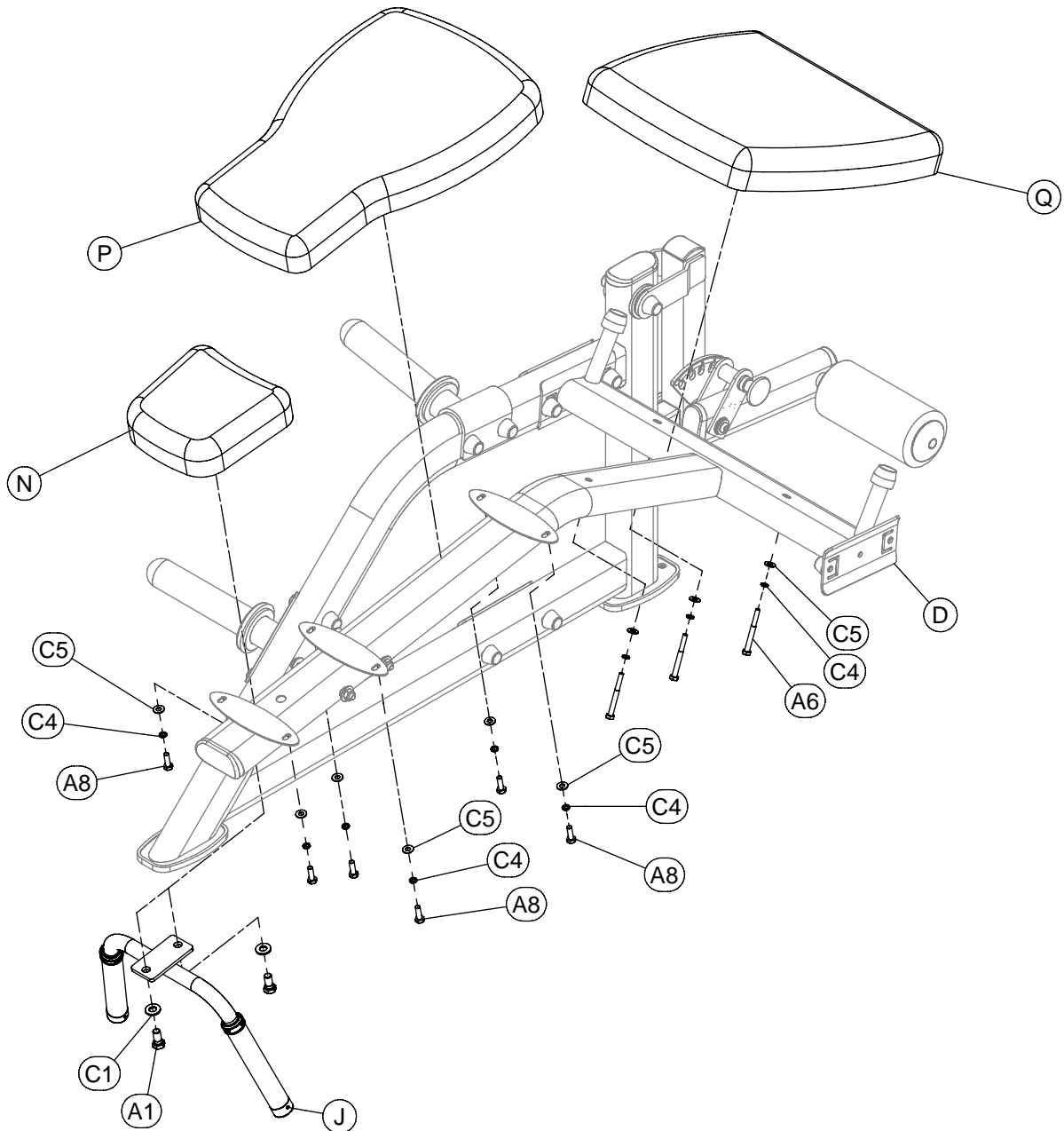


Above shows STEP 3 assembled and completed



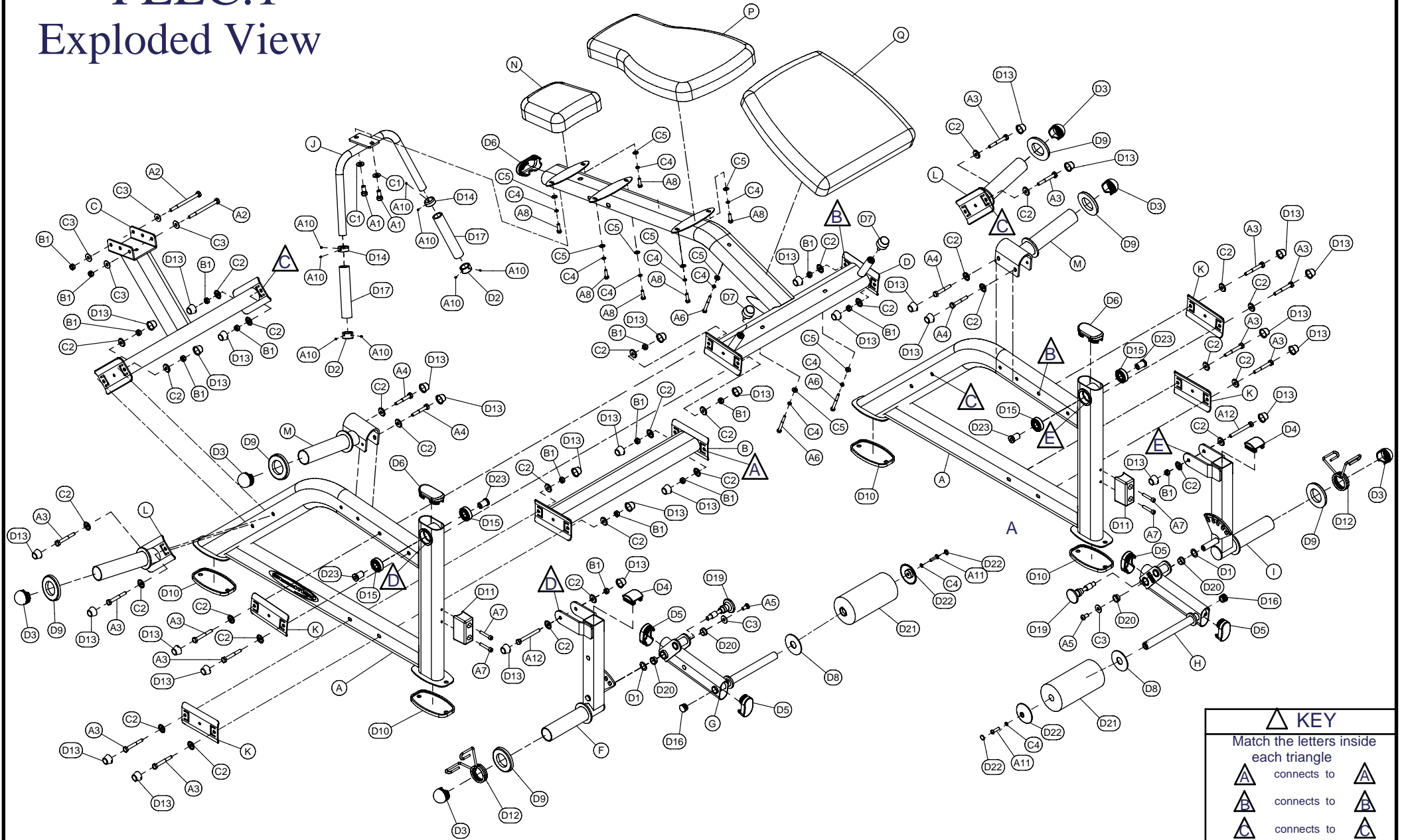


Above shows STEP 4 assembled and completed



PLLC.1

Exploded View



△ KEY			
△ A	connects to	△ A	
△ B	connects to	△ B	
△ C	connects to	△ C	
△ D	connects to	△ D	
△ E	connects to	△ E	