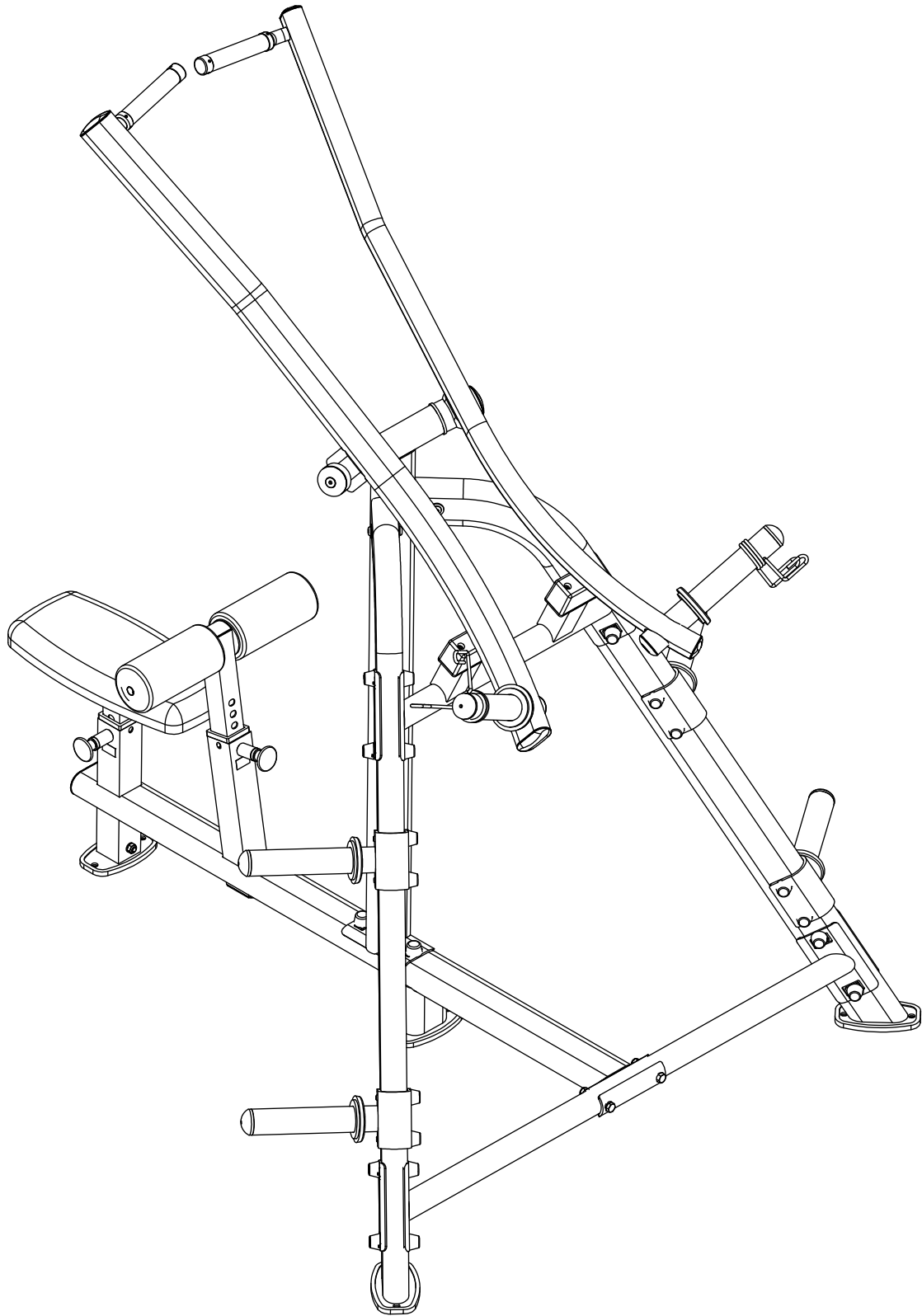


PLLA.5

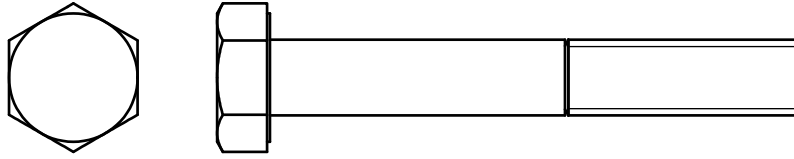


Assembly & Instructions
OWNER'S & MANUAL

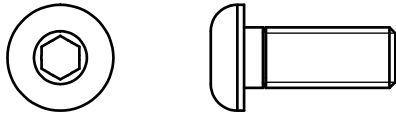
PLLA.5 HARDWARE

(shown in actual size)

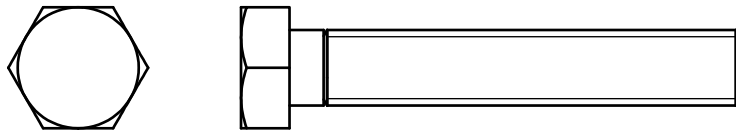
A1.M10X70L HEX HEAD SCREW10PSC



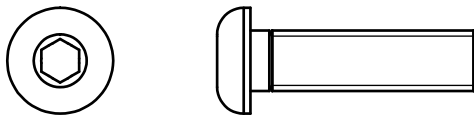
A2.M8X20L ALLEN SCREW4PSC



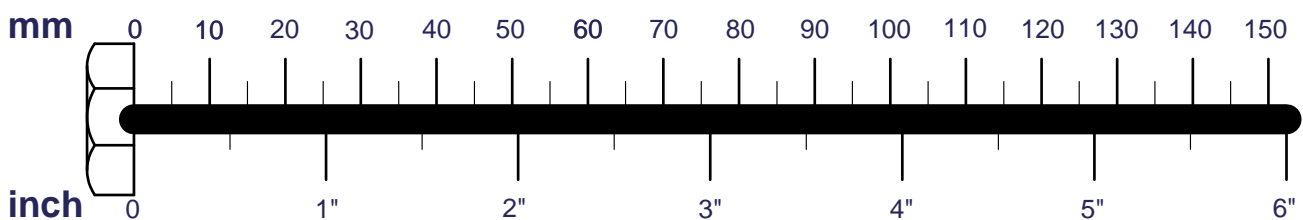
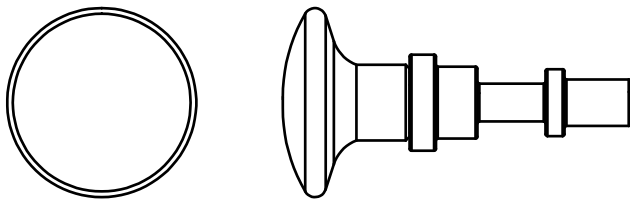
A3.M10X60L HEX HEAD SCREW.....1PCS



A4.M8X30L ALLEN SCREW (FULL THREAD)...2PCS



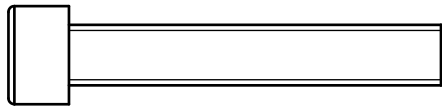
A6.POP PIN (8250-065G)...2PCS (Pre-installed)



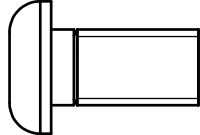
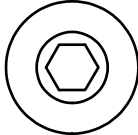
PLLA.5 HARDWARE

(shown in actual size)

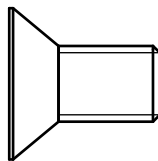
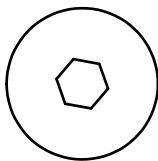
A7.M8X50L SOCKET SCREW(FULL THREAD)...4PCS



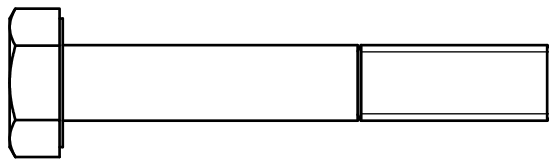
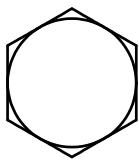
A8.M10X20L ALLEN SCREW(FULL THREAD)...8PCS (Pre-installd 4PCS)



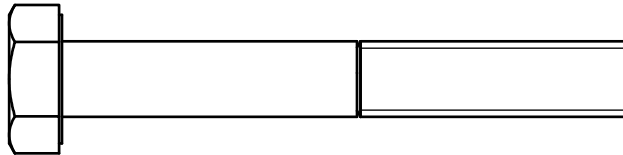
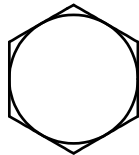
A9.M10X20 TAPER SCREW(FULL THREAD)...4PCS (Pre-installd 2PCS)



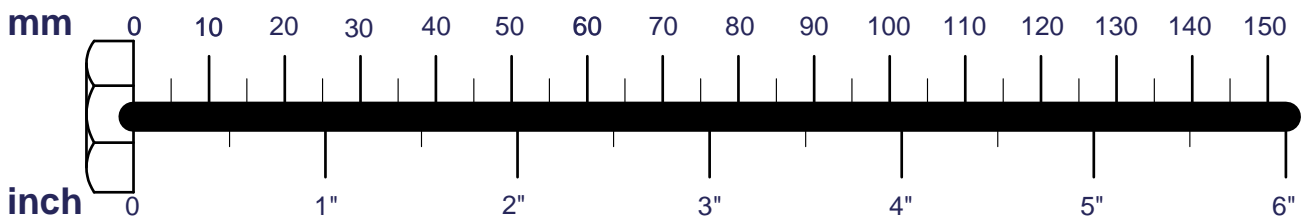
A10.M10X65L HEX HEAD SCREW...8PCS



A11.M10X75L HEX HEAD SCREW...3PCS(Pre-installed 1PCS)



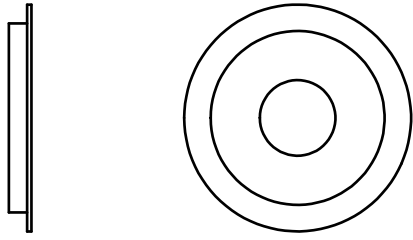
A12.M5X5 GRUB SCREW ...8PCS (Pre-installed)



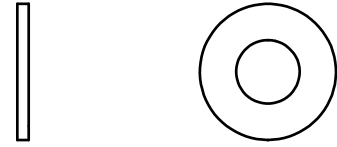
PLLA.5 HARDWARE

(shown in actual size)

C1.M10 PLATE WASHER (Ø30)...28PCS



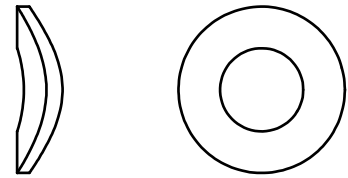
C2.M8 WASHER (Ø18)...4PCS



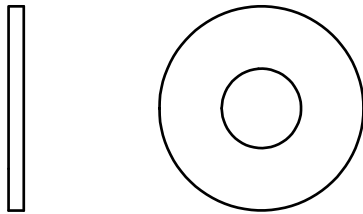
C3.M8 SPRING WASHER...6PCS



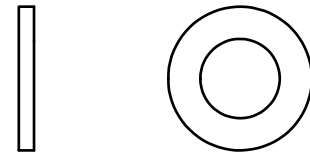
C4.M10 CURVED WASHER...8PCS
(Pre-installed 4PCS)



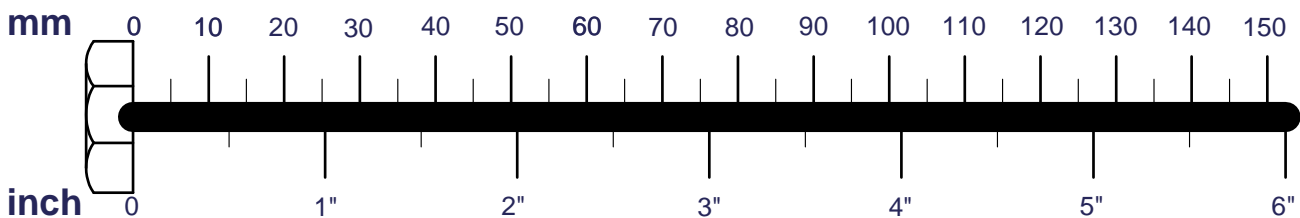
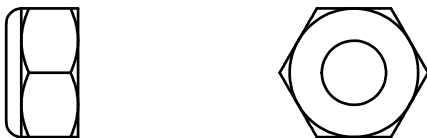
C5.M10 WASHER (Ø27)...4PCS



C6.M10 WASHER (Ø19)...2PCS
(Pre-installed)

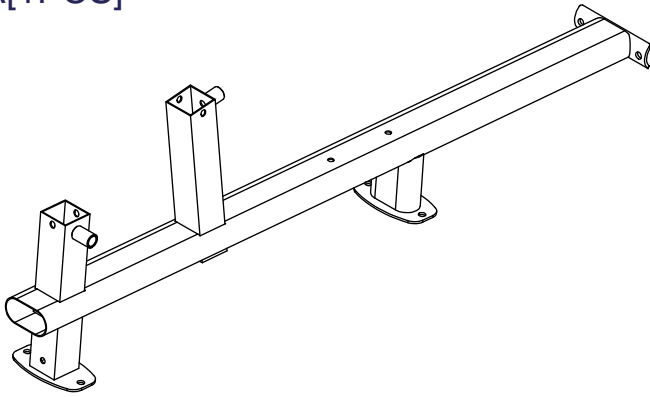


B1.M10 NYLON LOCK NUT...14PCS
(Pre-installed)1PCS

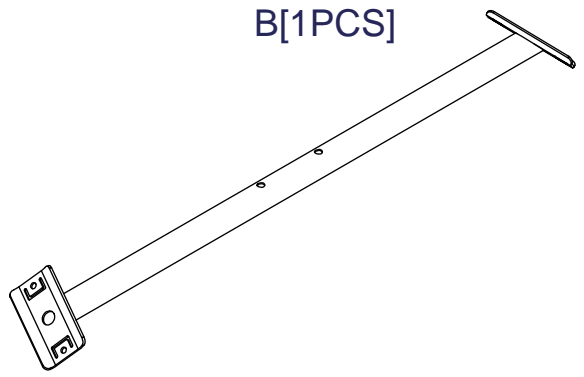


PLLA.5 PARTS

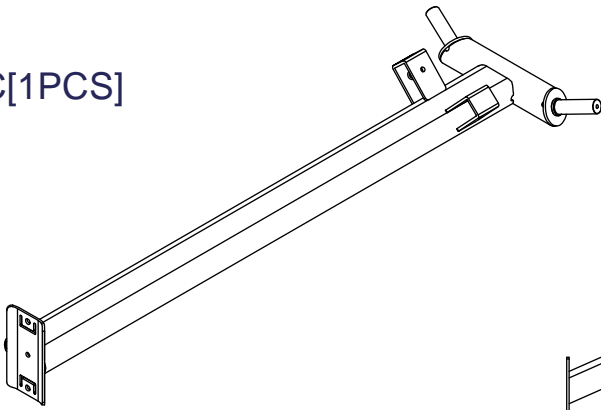
A[1PCS]



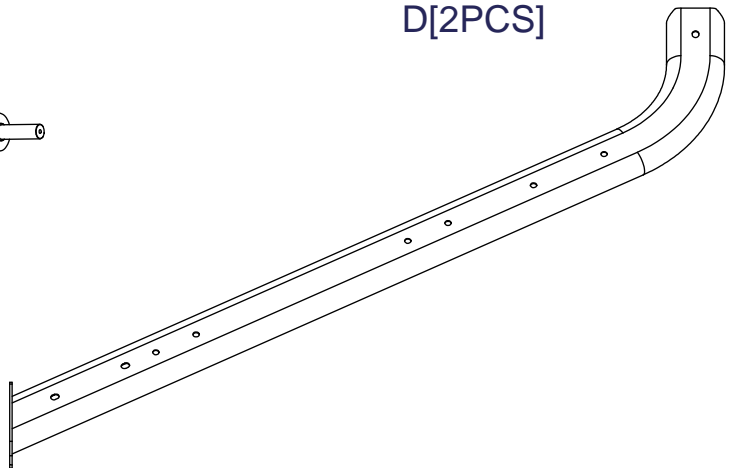
B[1PCS]



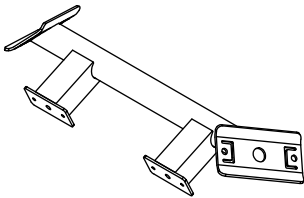
C[1PCS]



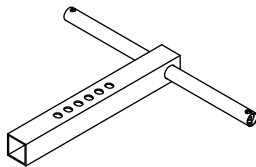
D[2PCS]



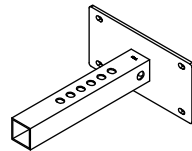
E[1PCS]



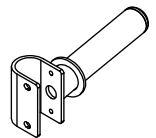
F[1PCS]



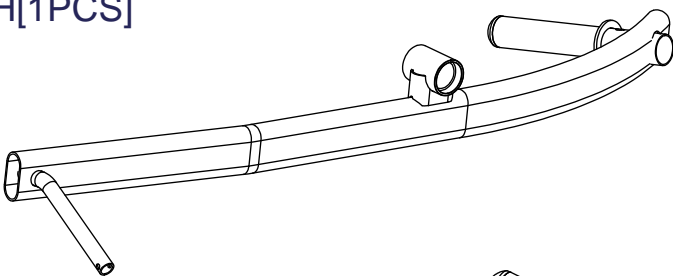
G[1PCS]



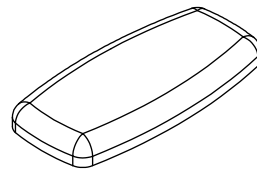
P[4PCS]
6730001



H[1PCS]



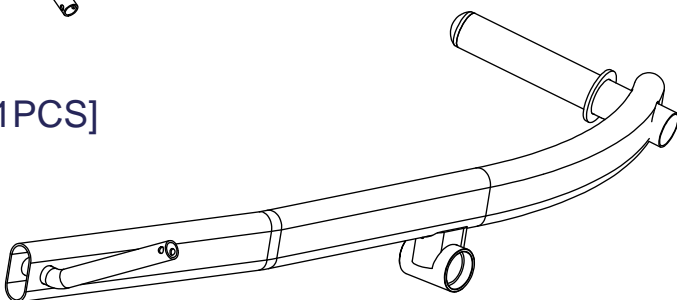
M[1PCS]
9121078



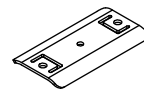
Q[1PCS] 8830-023
Pre-installed



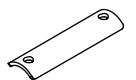
I[1PCS]



J[4PCS]
8323188



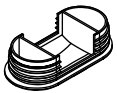
K[1PCS]
8343163



PLLA.5 PARTS

D1.50X100 END CAP (9211-193).....	1PCS
D2.RUBBER INSERT(9310-076).....	4PCS
D3.NYLON BUSHING(9211-047).....	2PCS
D6.CAP SLEEVE (9212-026).....	26PCS
D7.PULLEY SPACER(8530-009).....	2PCS
D8.FOAM ROLLER(9161-076).....	2PCS
D9.NYLON WASHER(9214-008).....	2PCS
D10.END COVER (9211-157).....	2PCS
D11.END CAP(9211-091).....	1PCS
D12.RUBBER INSERT(9310-077).....	2PCS
D13.END CLOSURE(8130-248).....	2PCS
D15.RUBBER INSERT(9310-016).....	6PCS
D16.PINCH COCK(OC-06).....	2PCS
D17.END CLOSURE(8130-424).....	2PCS (Pre-installed)
D19.40X80 END CAP(9211-192).....	4PCS
D20.END CLOSURE (8130-253).....	2PCS(Pre-installed)
D21.PONTIL (8230-025).....	2PCS(Pre-installed)
D22.CHROME COLLAR (8890-061).....	2PCS(Pre-installed)
D23.BEARING(8510-037).....	4PCS(Pre-installed)
D24.IMPREGNATED WITH HANDLE (9162-163).....	2PCS(Pre-installed)
D25.60X60 END CAP(9211-092).....	1PCS

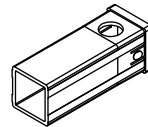
D1



D2



D3



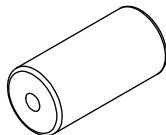
D6



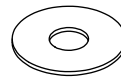
D7



D8



D9



D10



D11



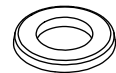
D12



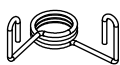
D13



D15



D16



D17



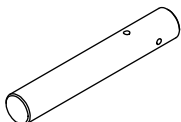
D19



D20



D21



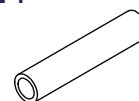
D22



D23



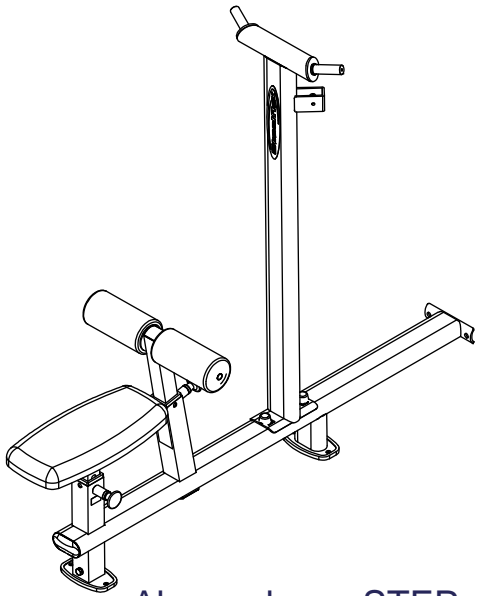
D24



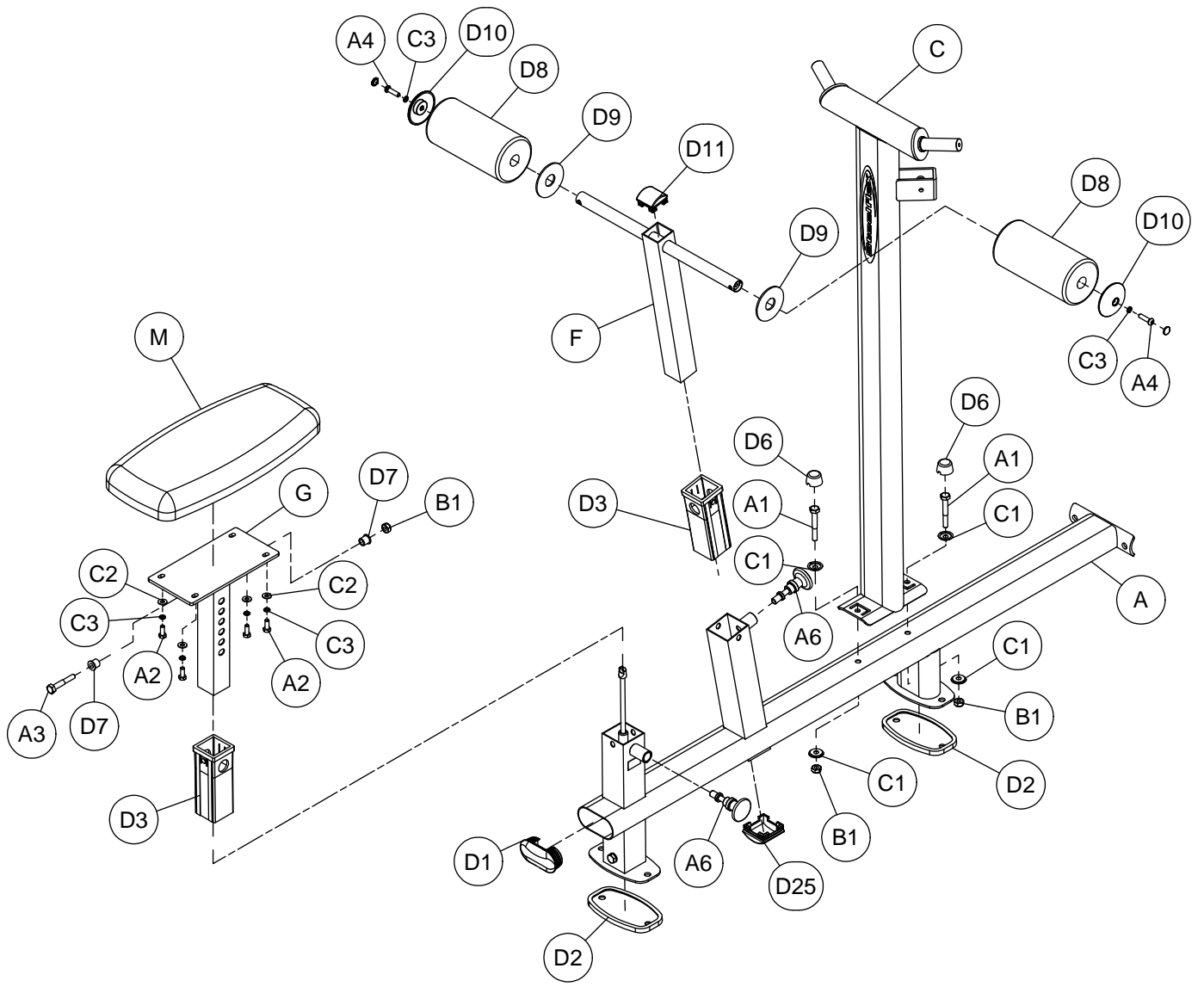
D25

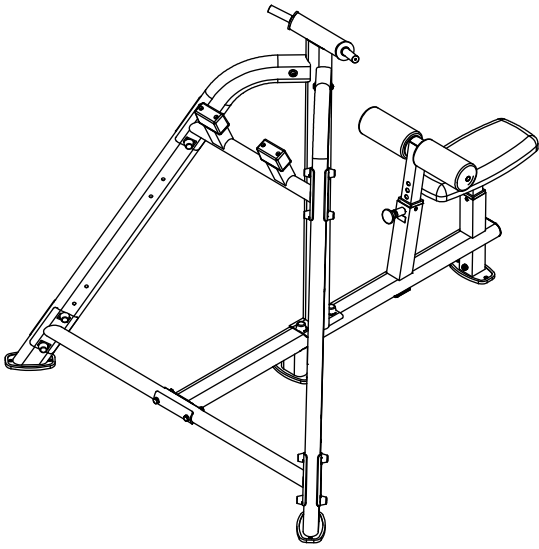


STEP
1

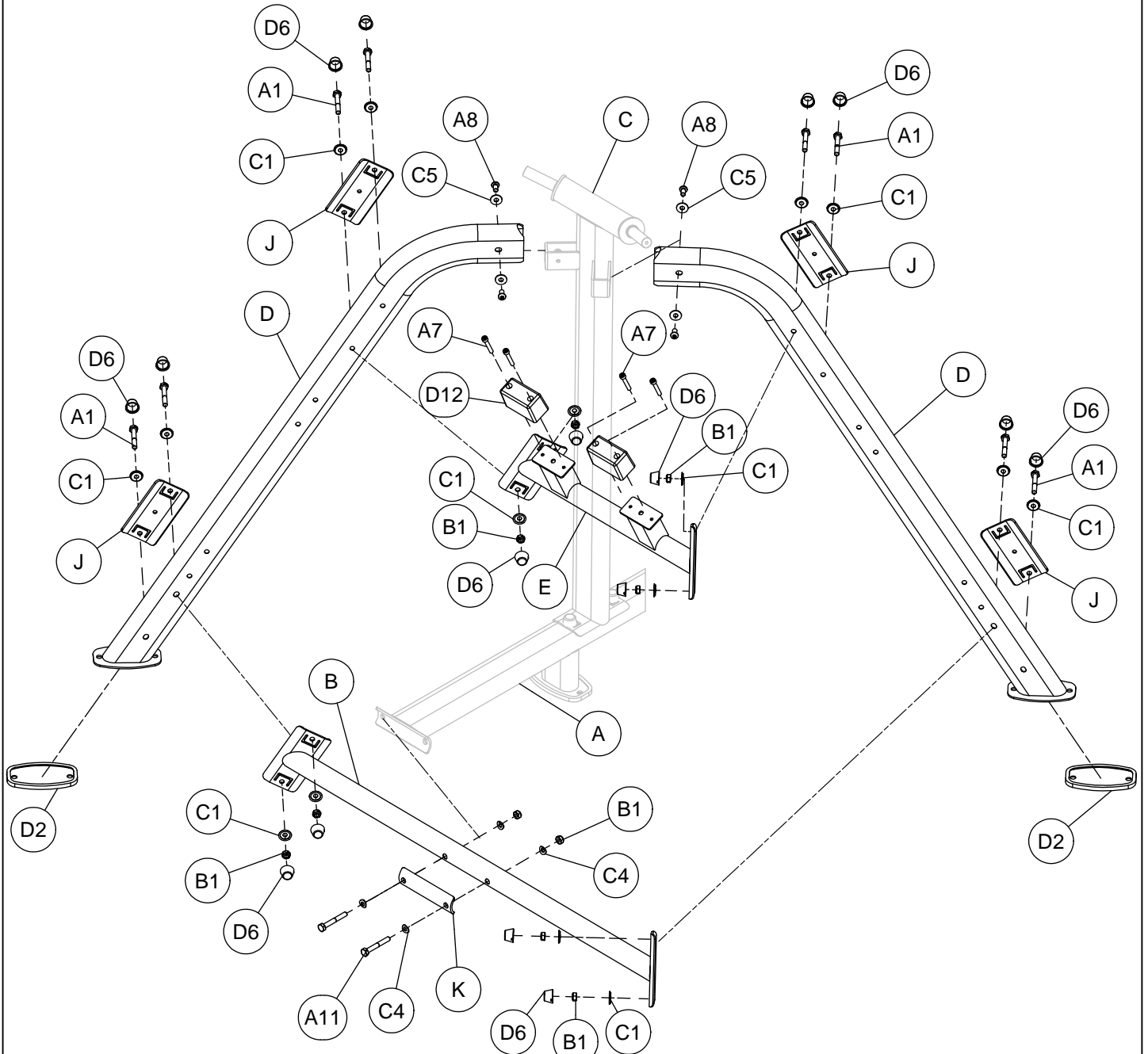


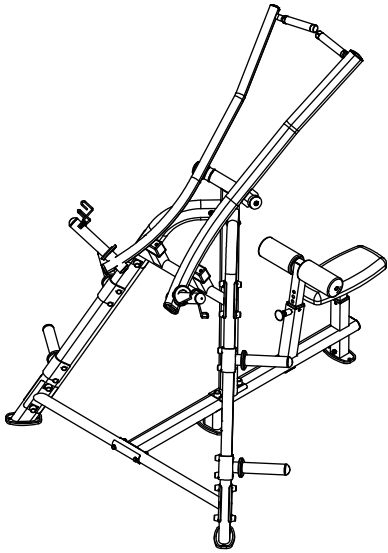
Above shows STEP 1 assembled and completed



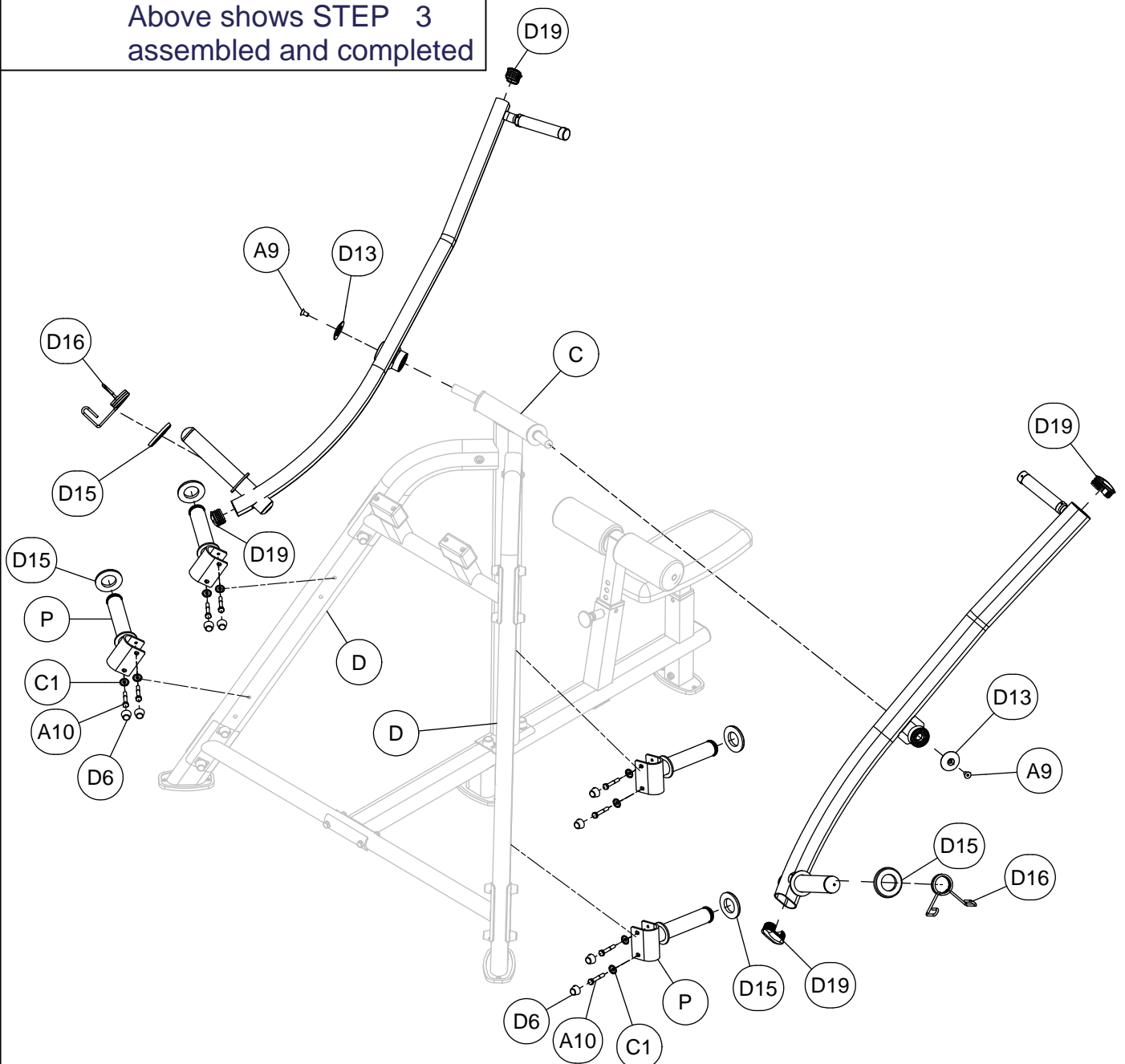


Above shows STEP 2 assembled and completed





Above shows STEP 3
assembled and completed



PLLA.5

Exploded View

