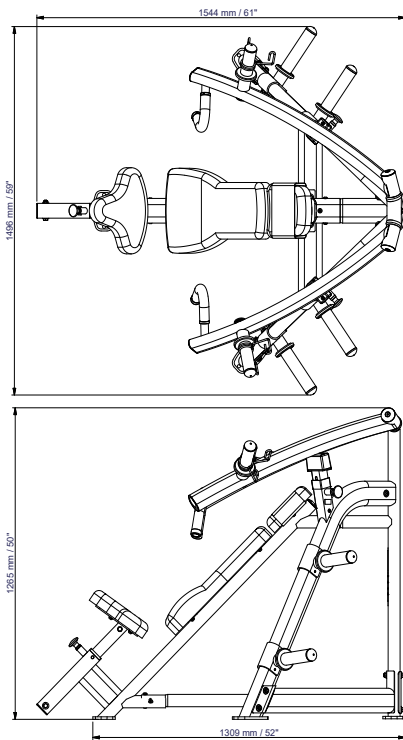


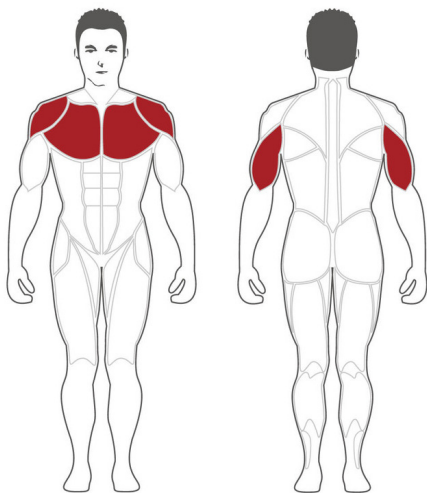
PLIP **Plateload** Incline Press Machine

Steelflex



The Steelflex Plate Load PLIP Incline Press, from an incline position, features a 25 degree converging pattern providing an exceptional range of motion, both arms can be used together or independently.

- Olympic weight posts (for use only with olympic weight plates)
- For both commercial and non-commercial use
- **Weight plates not included**



FEATURES

- 11 gauge steel frame, 5 x 10 cm square tubing
- Electrostatically applied powder coating
- Industrial rated bearings, sealed bearings at all pivot points
- 50 mm CGPC high density foam upholstery & ergonomic design
- Continuous welds at all pivot points
- Adjustable press arms to fit all size users, with adjustable start positions
- Adjustable seat pad with gas assist
- Converging press arm movement for advanced biomechanics
- Independent, unilateral arm action for balanced muscle development

SPECIFICATIONS

Dimensions:	1544 x 149.6 x 126.5 cm
Product weight:	75 kg
Max. user weight:	120 kg

WARRANTY: COMMERCIAL AND RESIDENTIAL

Frame	15 years
Bearings	2 years
Upholstery & grips	6 months
Other parts	1 year

FITNESSTRADING