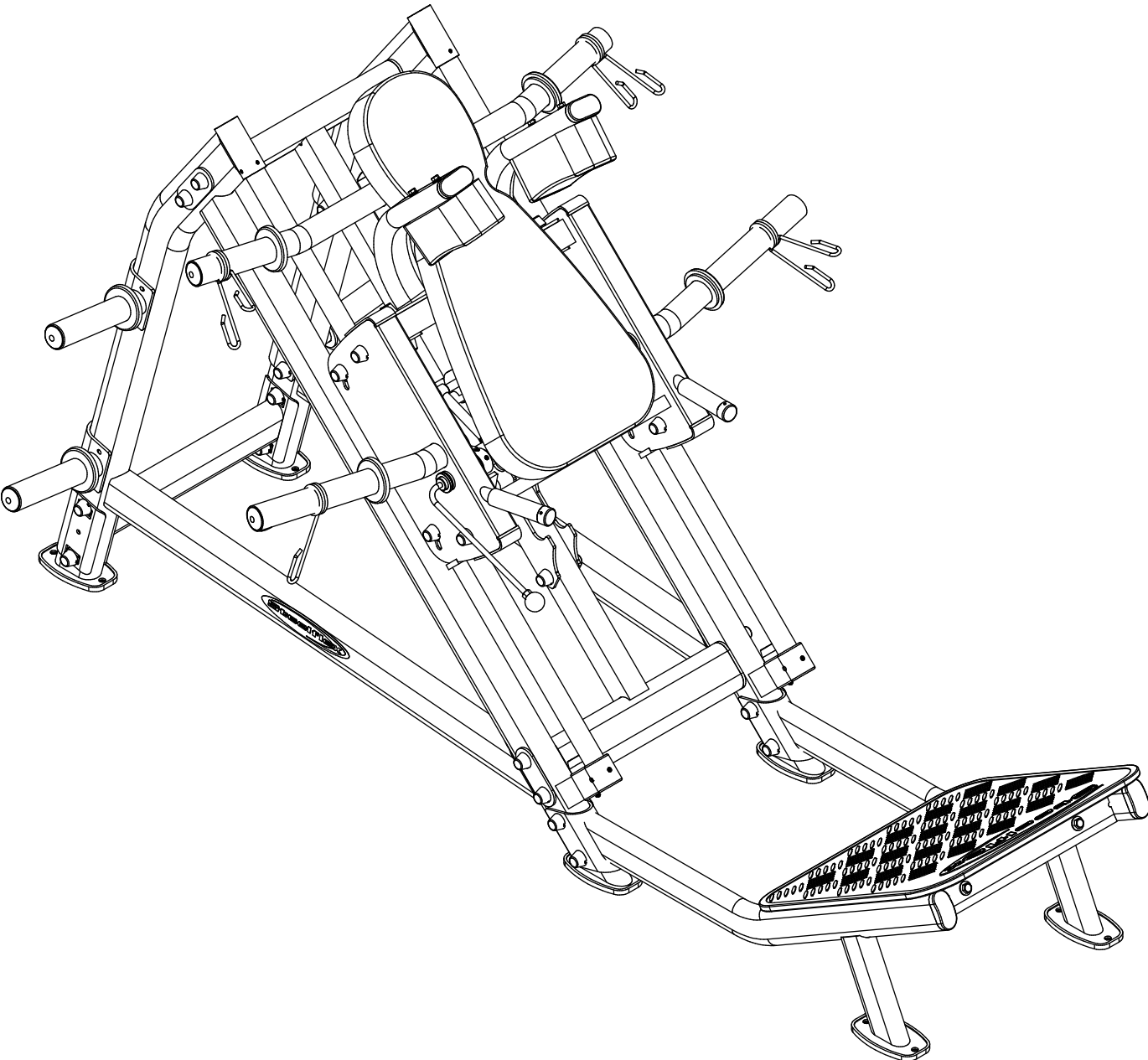




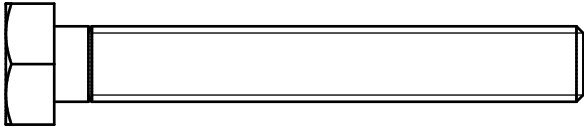
*PLHP*



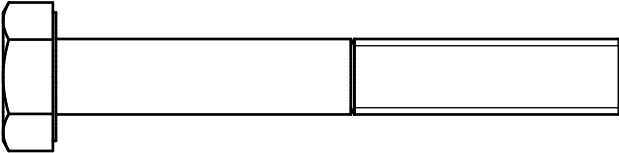
Assembly & Instructions  
**OWNER'S & MANUAL**

**PLHP HARDWARE**  
(shown in actual size)

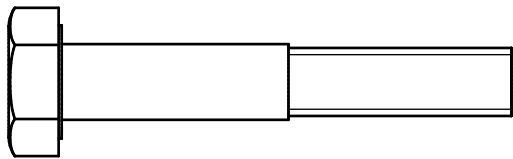
A1.M10X70 Hex Head Bolt Qty.12



A2.M10X75 Hex Head Bolt Qty.7



A3.M10X60 Hex Head Bolt Qty.4



A4.M8X8 Grub Screw pre-installed Qty.2



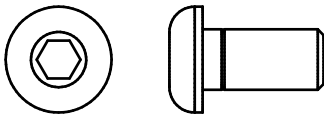
A5.M5X10 Round Cross Tapping Screw Qty.2



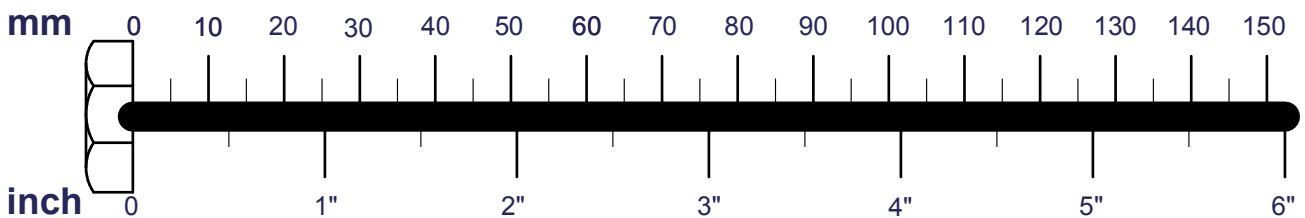
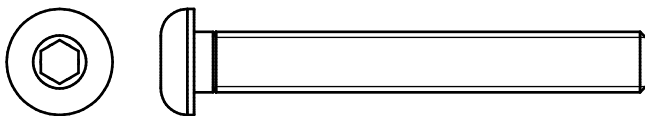
A6.M5X5 Grub Screw pre-installed Qty.8



A7.M8X16 Allen Screw (Full Thread) pre-installed Qty.2

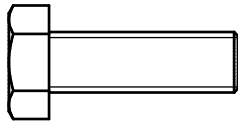


A8.M8X60 Allen Screw Qty.4

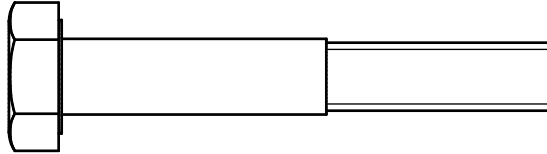


**PLHP HARDWARE**  
(shown in actual size)

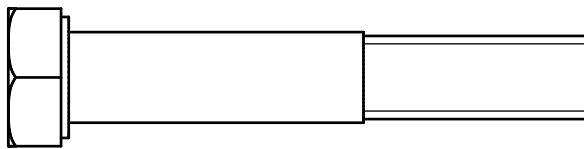
A9.M8X25 Hex Head Bolt Qty.4



A10.M10X65 Hex Head Bolt Qty.8



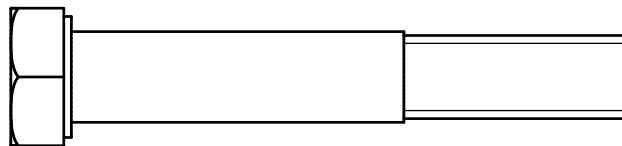
A11.M12X70 Hex Head Bolt Qty.8 (pre-installed)



A12.M5X10 Taper Cross Tapping Screw Qty.1 (pre-installed)



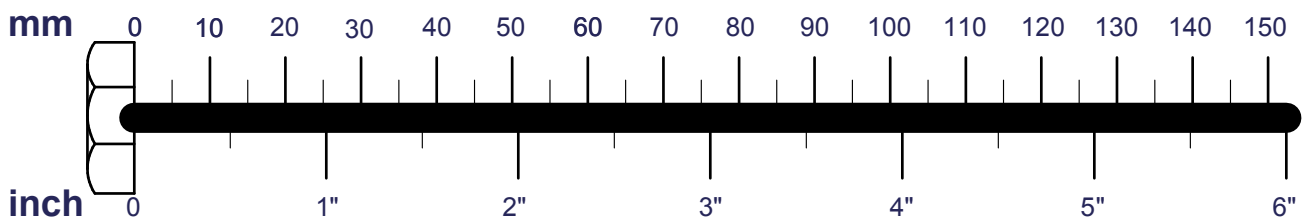
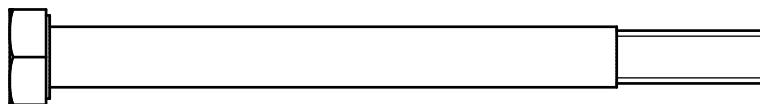
A13.M12X75 Hex Head Bolt Qty.3



A14.M8X5 Grub Screw per-installed Qty.8



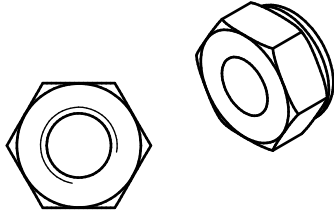
A15.M8X95 Hex Head Bolt Qty.1



**PLHP HARDWARE**

(shown in actual size)

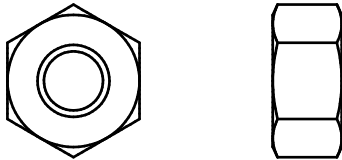
B1.M10 Nylon Lock Nut Qty.15



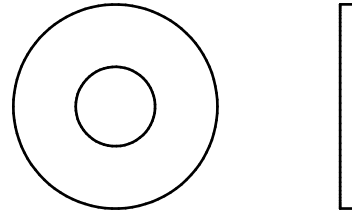
B2.M12 Nylon Lock Nut Qty.8  
(pre-installed 6PCS)



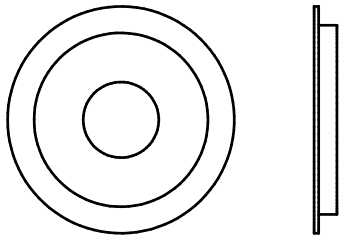
B3.3/8" Lock Nut Qty.1  
(pre-installed)



C2.M10 Washer Qty.8



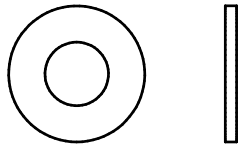
C1.M10 Plate Washer Qty.38



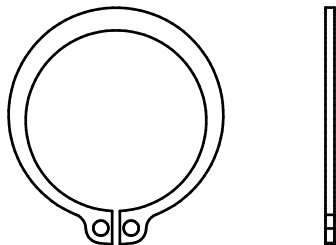
C4.M8 Spring Washer Qty.11  
(pre-installed 2PCS)



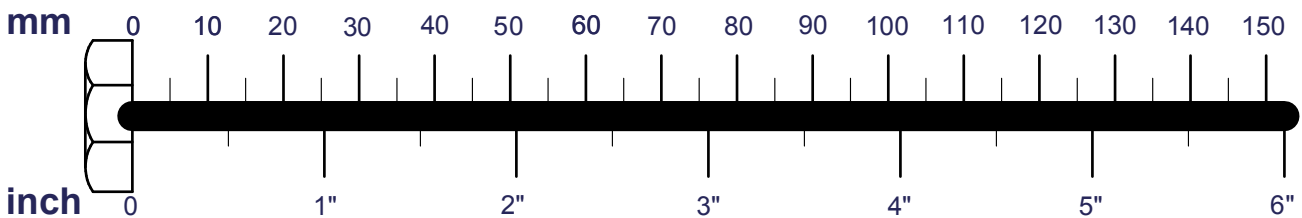
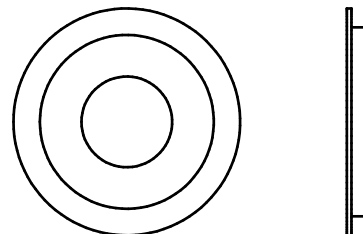
C3.M8 Washer (Ø18) Qty.11  
(pre-installed 2PCS)



C5.Tach (Ø25) Qty.1  
(pre-installed)

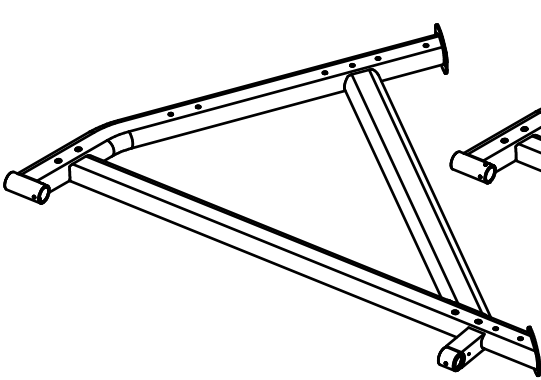


C7.M12 Plate Washer Qty.19  
(pre-installed 14PCS)

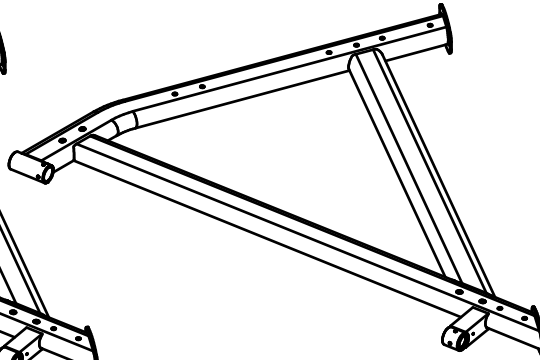


PLHP HARDWARE  
(shown in actual size)

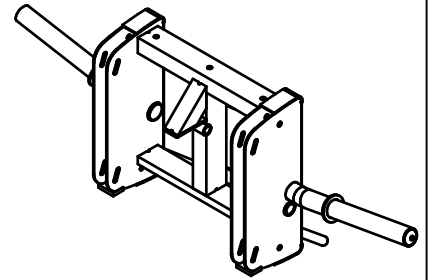
A[1PCS]



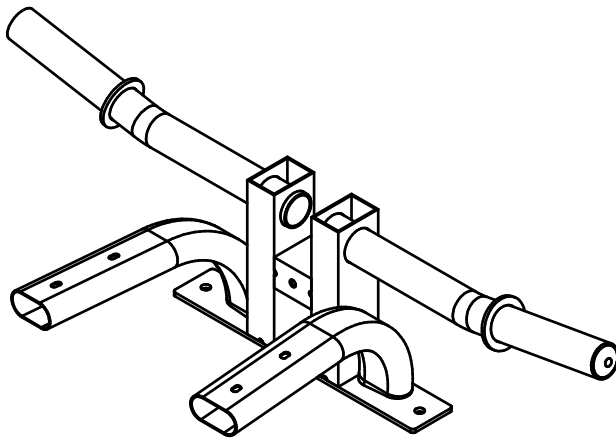
B[1PCS]



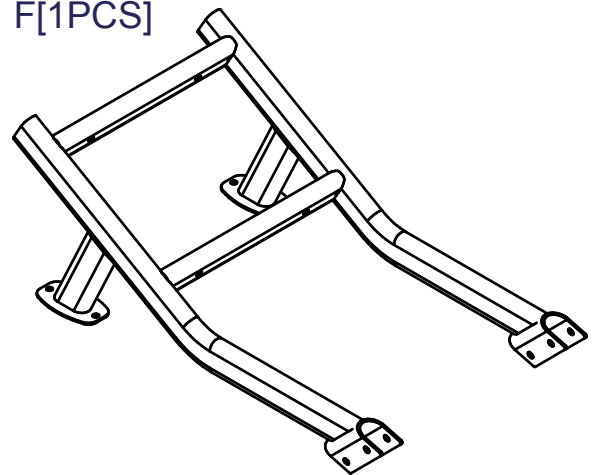
C[1PCS]



D[1PCS]



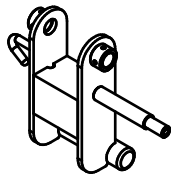
F[1PCS]



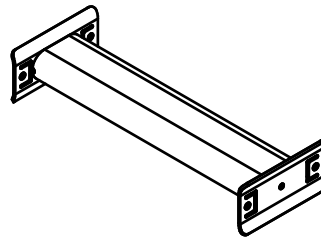
G[1PCS]



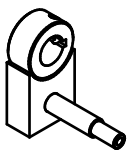
H[1PCS]



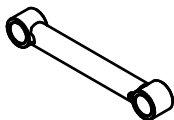
K[1PCS]



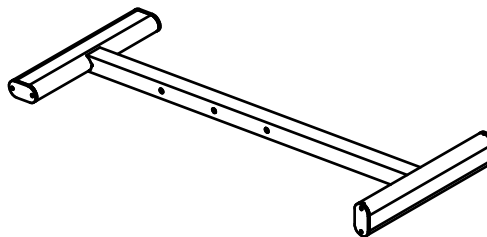
L[1PCS]



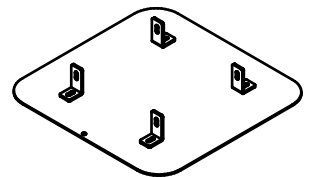
M[1PCS]



O[1PCS]

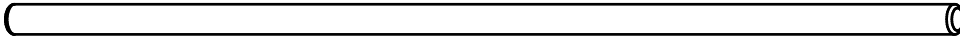


Z[1PCS]

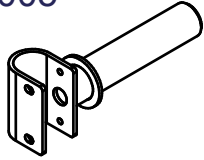


PLHP HARDWARE  
(shown in actual size)

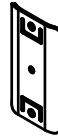
S[2PCS]  
8280-030



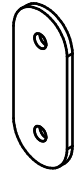
J[4PCS]  
6730005



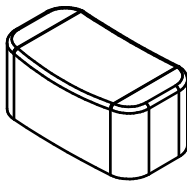
P[2PCS]  
8323-188



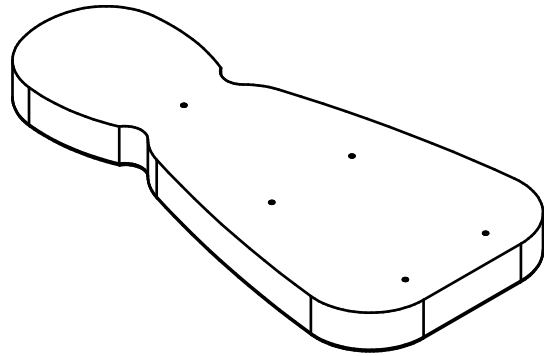
W[4PCS]  
8342-048



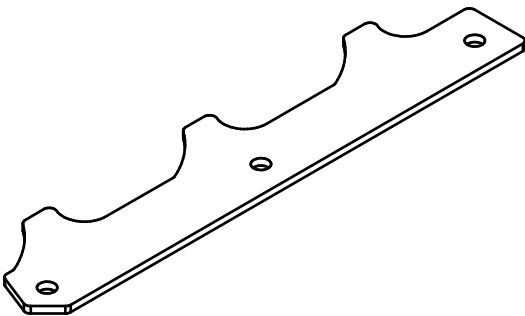
N[2PCS]  
9131-054



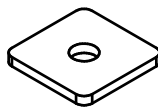
Q[1PCS]  
9111-092



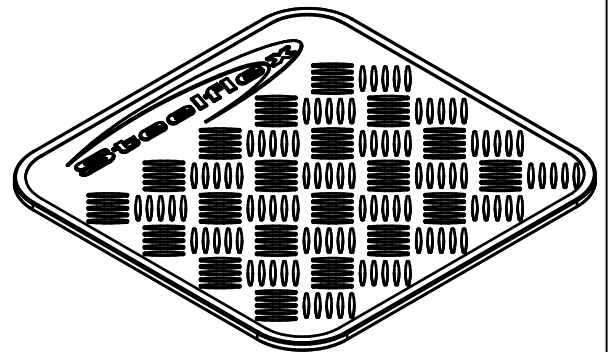
X[2PCS]  
8343-305



Y[2PCS]  
8312-013



Z1[1PCS]  
9310-095



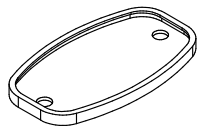
**PLHP HARDWARE**  
(shown in actual size)

D1.Cap Sleeve (9212-026).....	[57PCS]
D2.Rubber Insert (9310-076).....	[6PCS]
D3.Bushing (9212-069).....	[2PCS]
D4.40X80 End Cap (9211-113) pre-installed 2.....	[4PCS]
D5.Rubber Dount (9310-016).....	[8PCS]
D6.Ø50 End Cap (9211-020).....	[4PCS]
D7.25X50 End Cap (9211-086).....	[1PCS]
D8.Compression Spring (8840-018).....	[1PCS]
D9.Shaft (8210-185) pre-installed.....	[1PCS]
D10.Key 6x6x30 pre-installed.....	[1PCS]
D11.Impregnated with handle (9162-155) pre-installed.....	[2PCS]
D12.Pinch Cock (OC-06).....	[4PCS]
D13.Chrone Collar (8890-061) pre-installed.....	[2PCS]
D14.Oilite Bushing (8520-005) pre-insralled.....	[2PCS]
D15.Oilite Bushing (8520-002) pre-insralled.....	[2PCS]
D16.Oilite Bushing (8520-001) pre-insralled.....	[4PCS]
D17.Pulley (9266-009) pre-installed.....	[8PCS]
D18.Magnet (9546-104) pre-installed.....	[1PCS]
D19.Rubber Stopper (9310-018) pre-installed.....	[2PCS]
D20.Railing (9215-008) pre-installed.....	[1PCS]
D21.75X50 End Cap (9211-084).....	[2PCS]
D22.Copper sheath (8530-024) pre-installed.....	[16PCS]
D23.Bearing (8510-012) pre-installed.....	[16PCS]

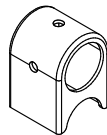
D1



D2



D3



D4



D5



D6



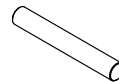
D7



D8



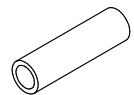
D9



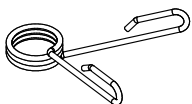
D10



D11



D12



D13



D14



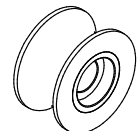
D15



D16



D17



D18



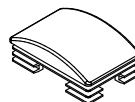
D19



D20



D21

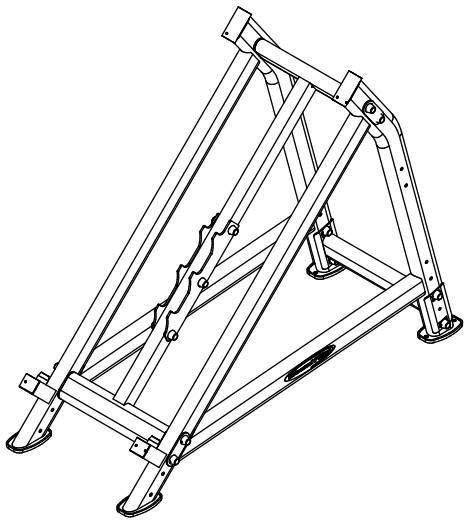


D22

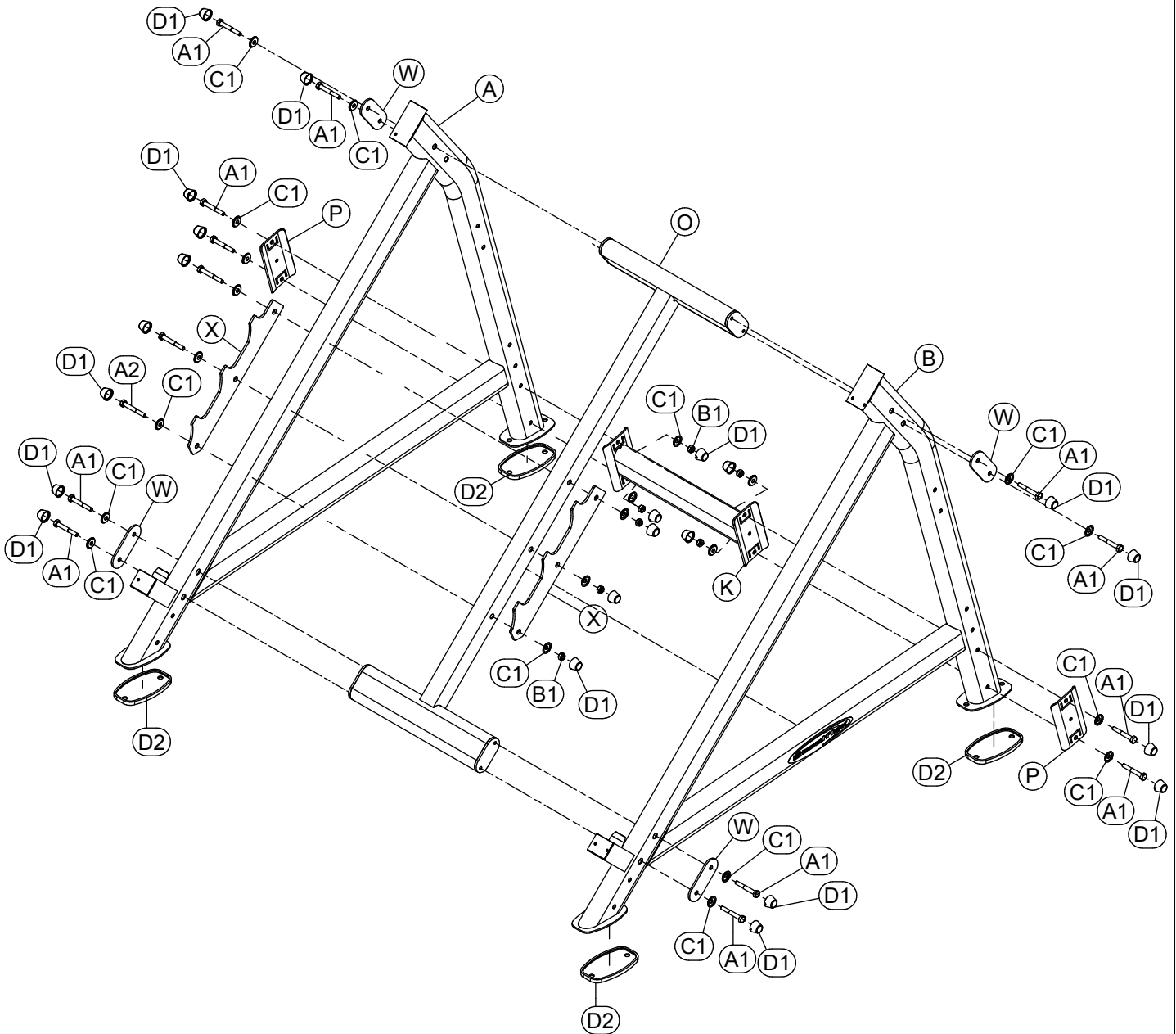


D23

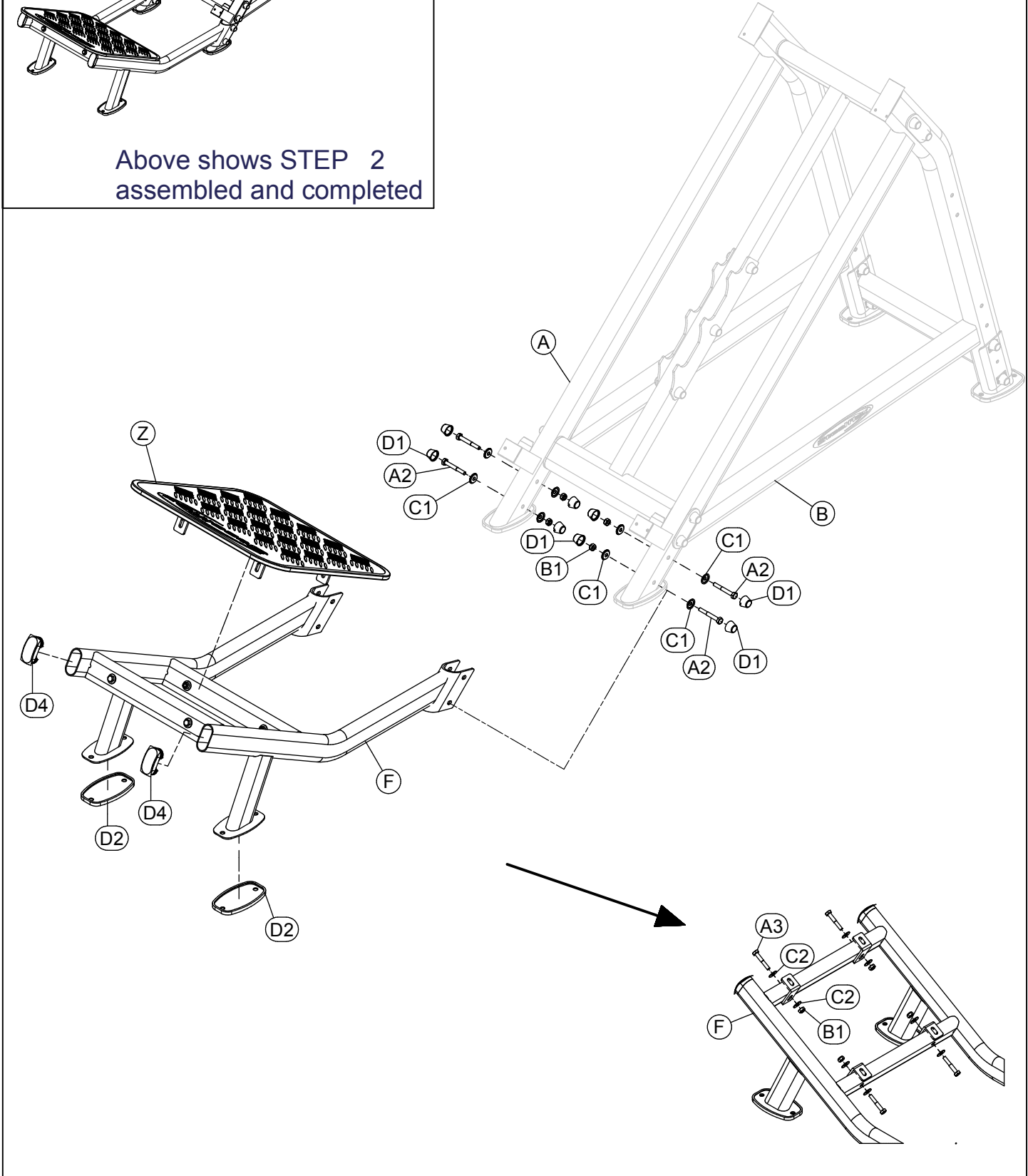
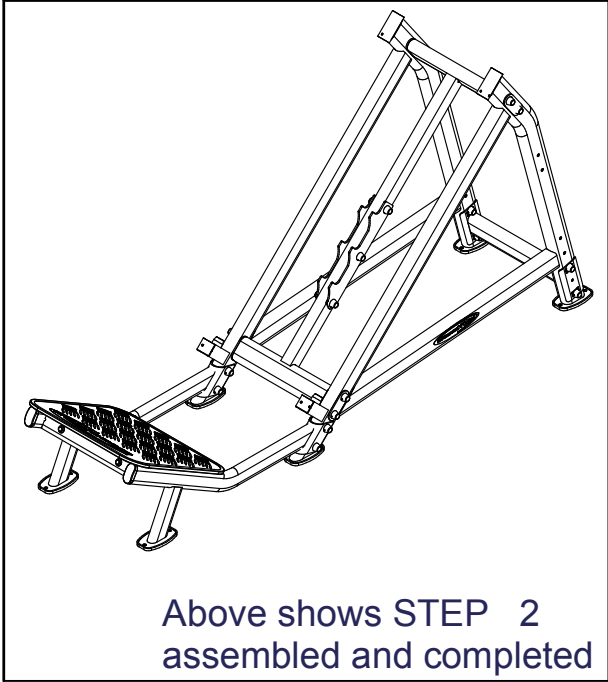


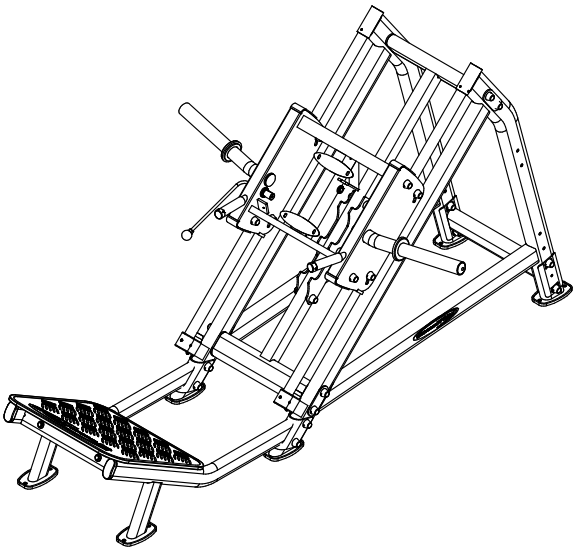


Above shows STEP 1 assembled and completed

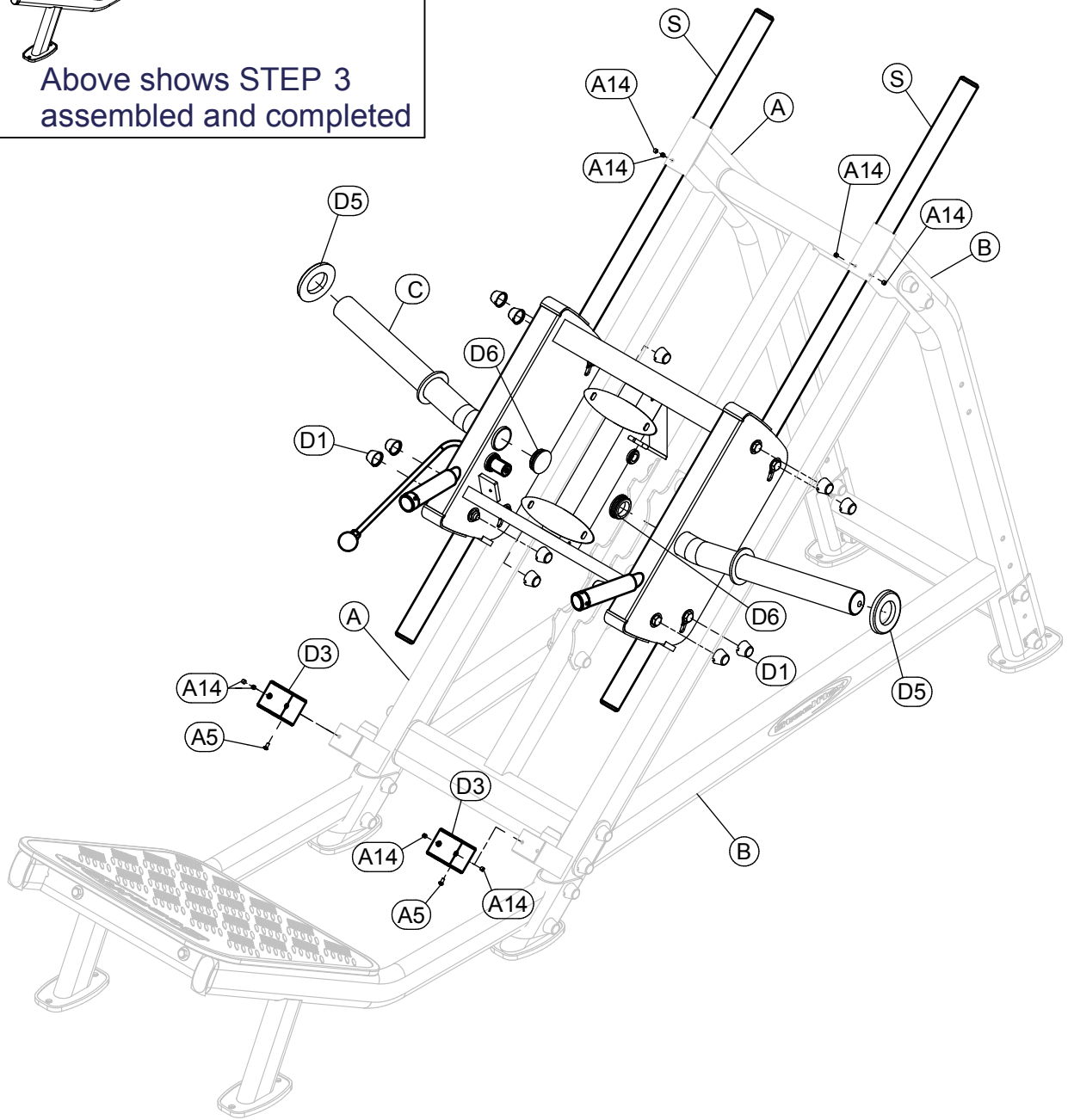


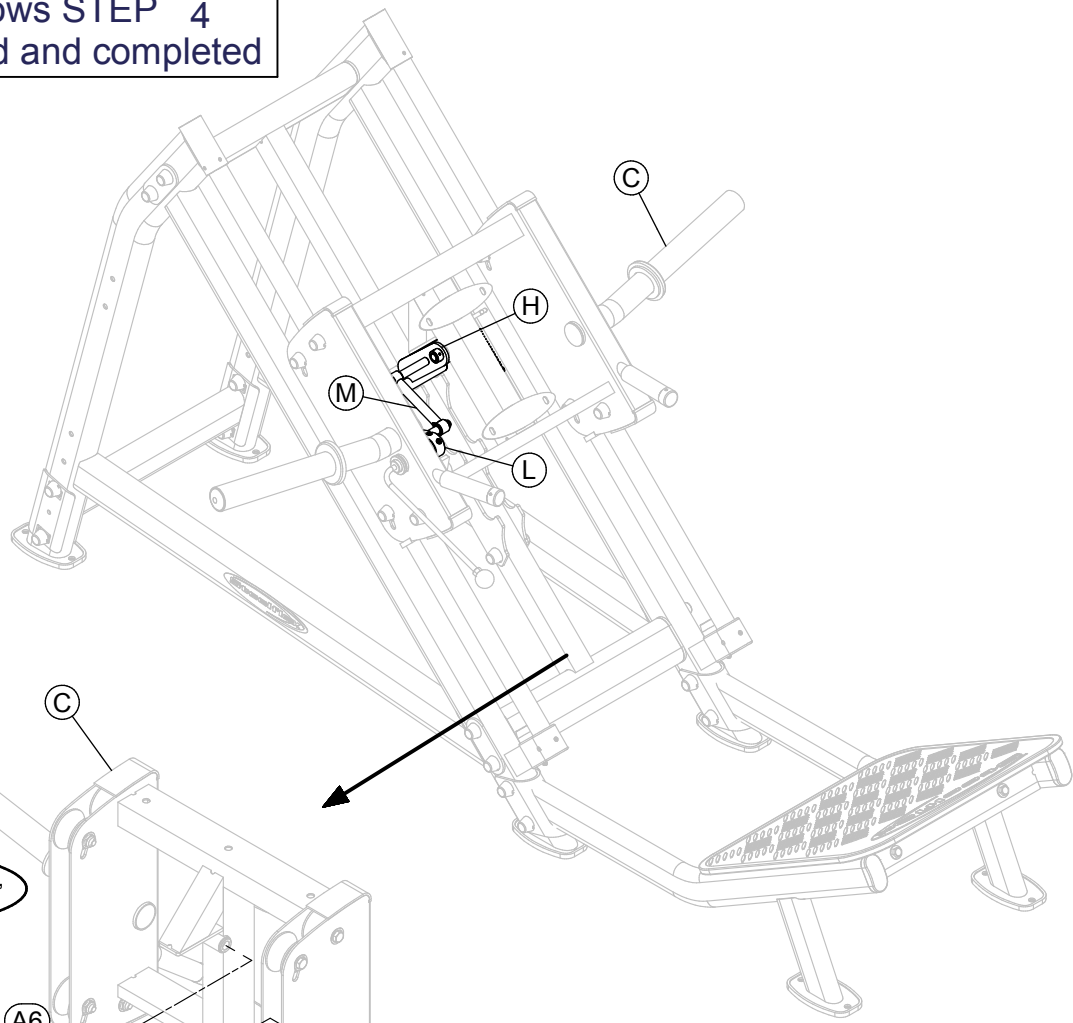
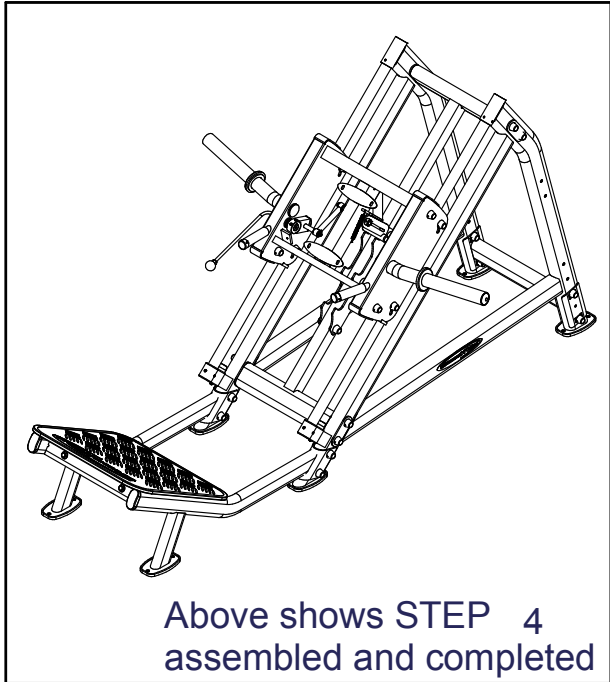




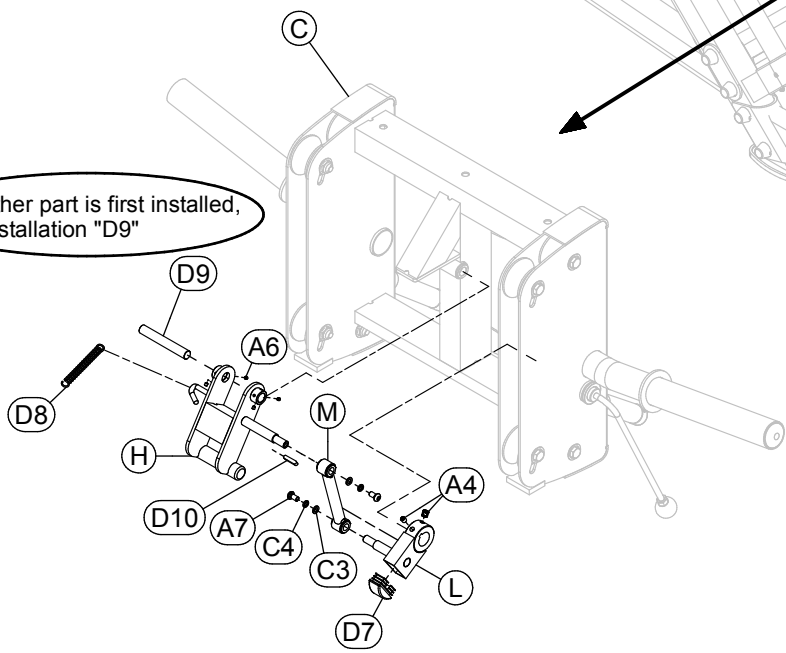


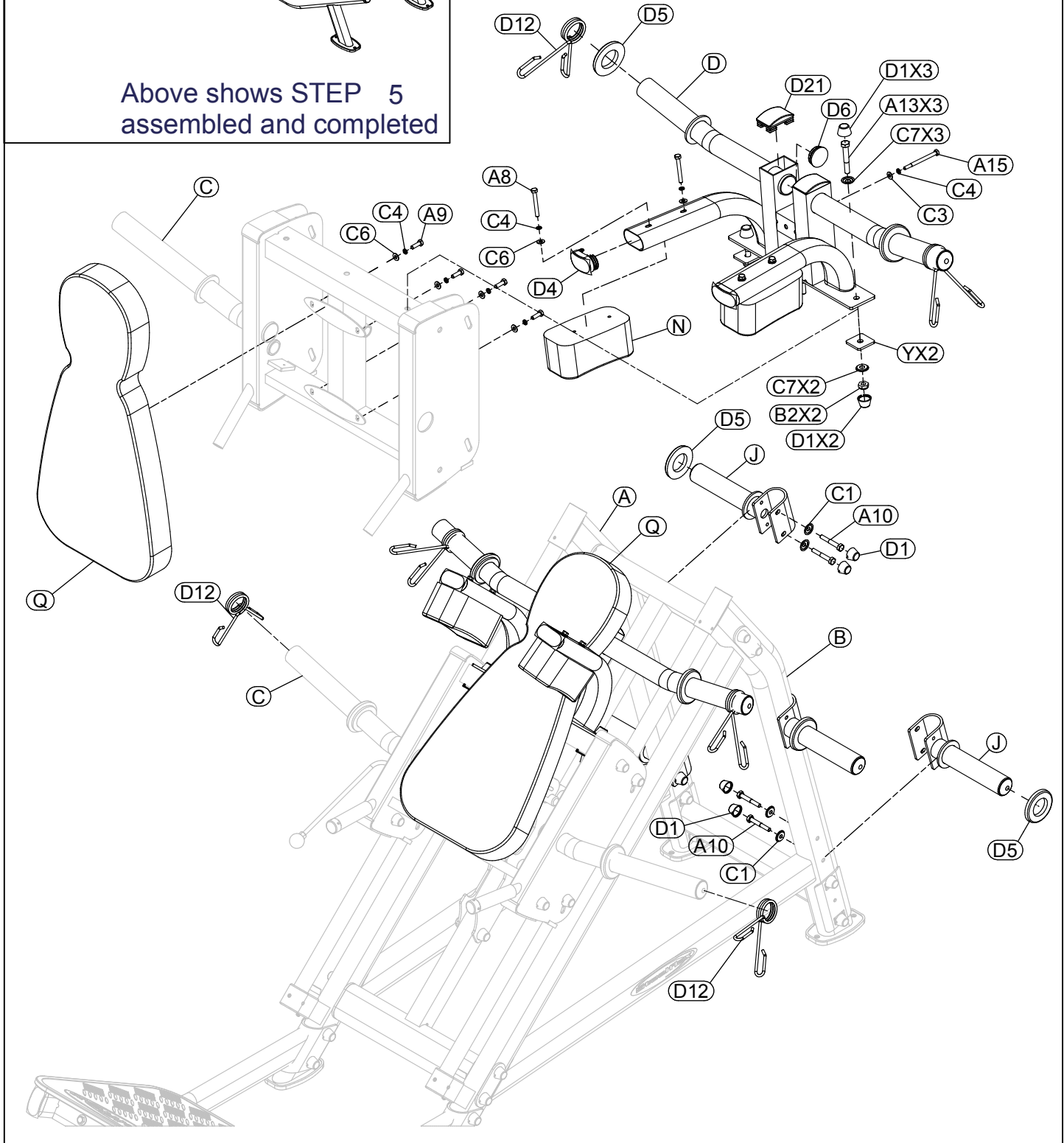
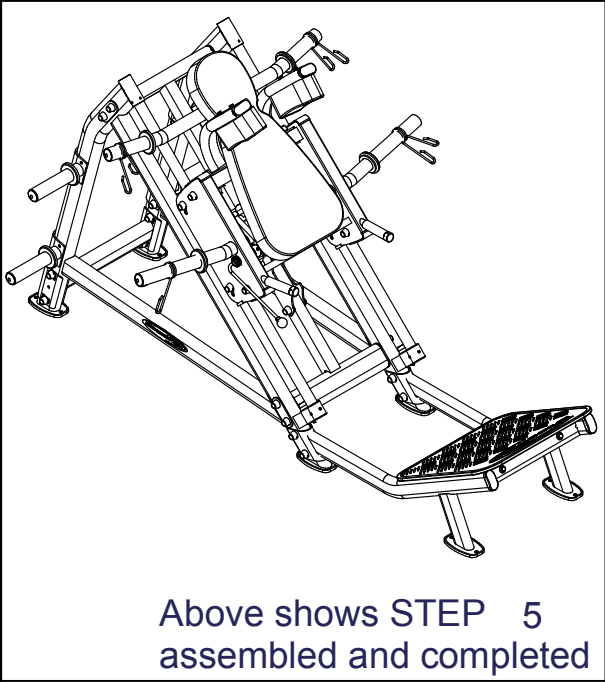
Above shows STEP 3 assembled and completed

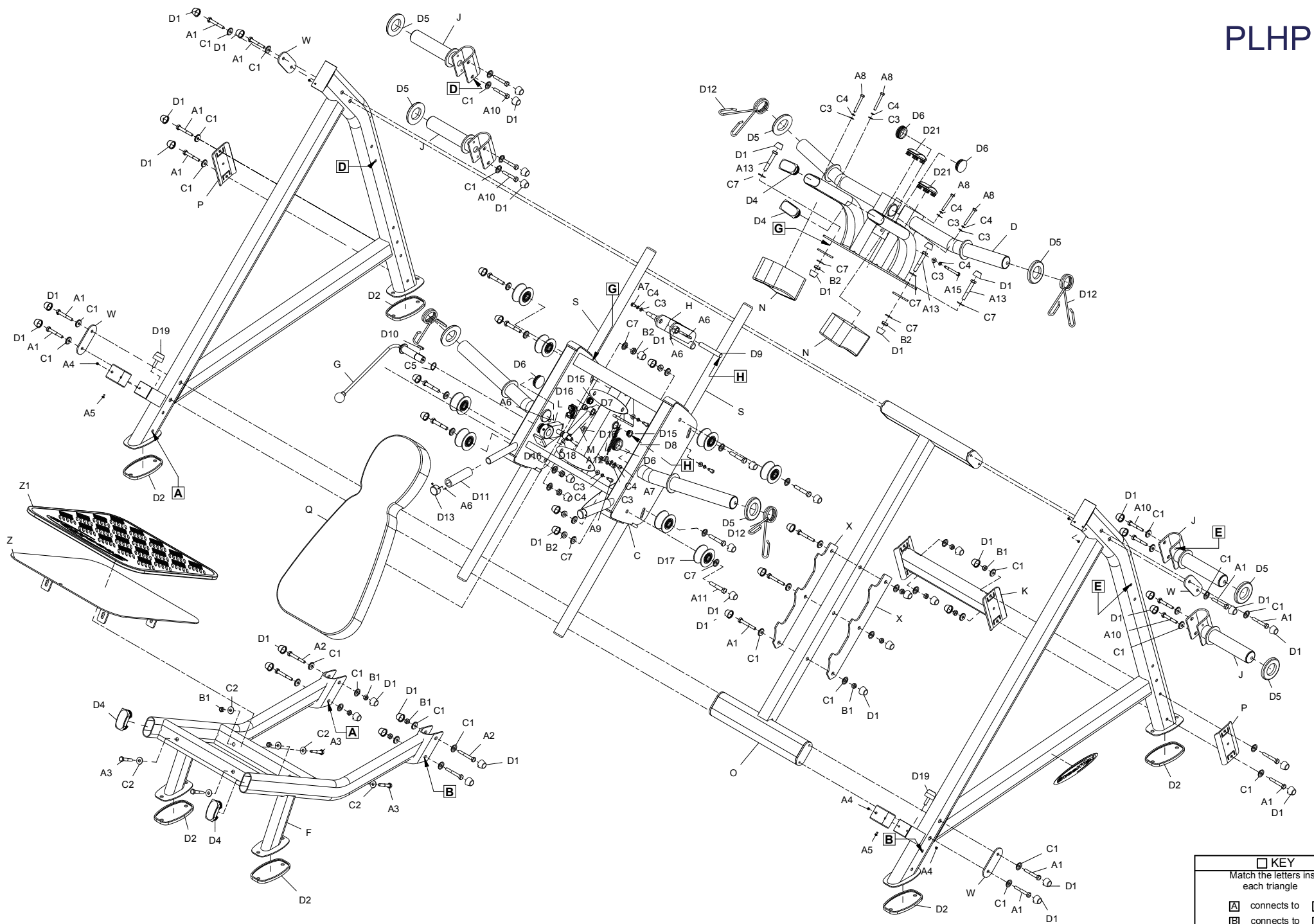




The other part is first installed, the installation "D9"







KEY			
Match the letters inside each triangle			
<b>A</b>	connects to	<b>A</b>	
<b>B</b>	connects to	<b>B</b>	
<b>C</b>	connects to	<b>C</b>	