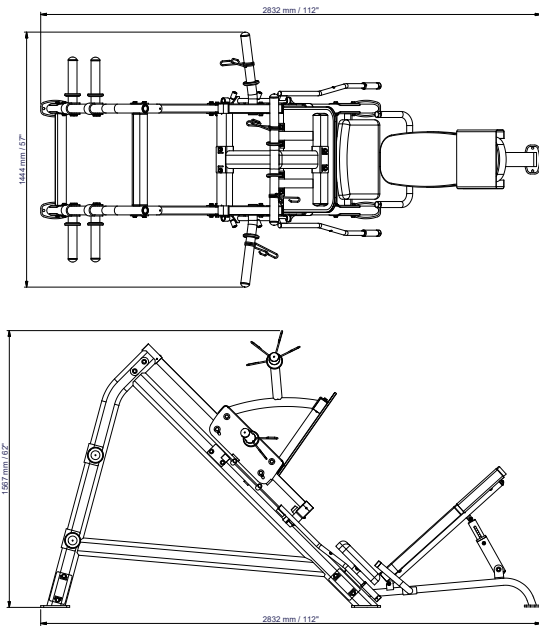
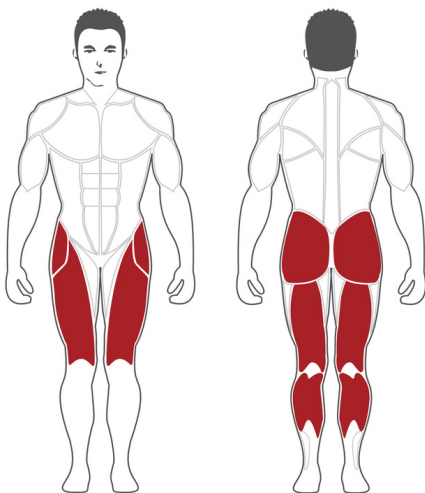


# PLDP Plateload Decline Press Machine



The Steelflex PlateLoad PLDP Leg Press machine will help you build leg muscles without putting too much pressure on your joints. Dual dipped handles installed on the frame make the entry and exit more convenient. The four Olympic weight stands allow you to adjust the load to your liking.

- Olympic weight posts (for use only with olympic weight plates)
- For both commercial and non-commercial use
- **Weight plates not included**



## FEATURES

- 12 gauge steel frame, 5 x 10 cm oval tubing
- Electrostatically applied powder coating
- 50 mm CGPC high density foam upholstery & ergonomic design
- Industrial rated bearings, sealed bearings at all pivot points
- Dipped PVC handle
- Continuous welds at all pivot points
- Adjustable angled back pad supplies for better body alignment
- Dual dipped handles

## SPECIFICATIONS

|                   |                          |
|-------------------|--------------------------|
| Dimensions:       | 283.2 x 144.4 x 156.7 cm |
| Product weight:   | 169 kg                   |
| Max. user weight: | 120 kg                   |

## WARRANTY: COMMERCIAL AND RESIDENTIAL

|                    |          |
|--------------------|----------|
| Frame              | 15 years |
| Bearings           | 2 years  |
| Upholstery & grips | 6 months |
| Other parts        | 1 year   |