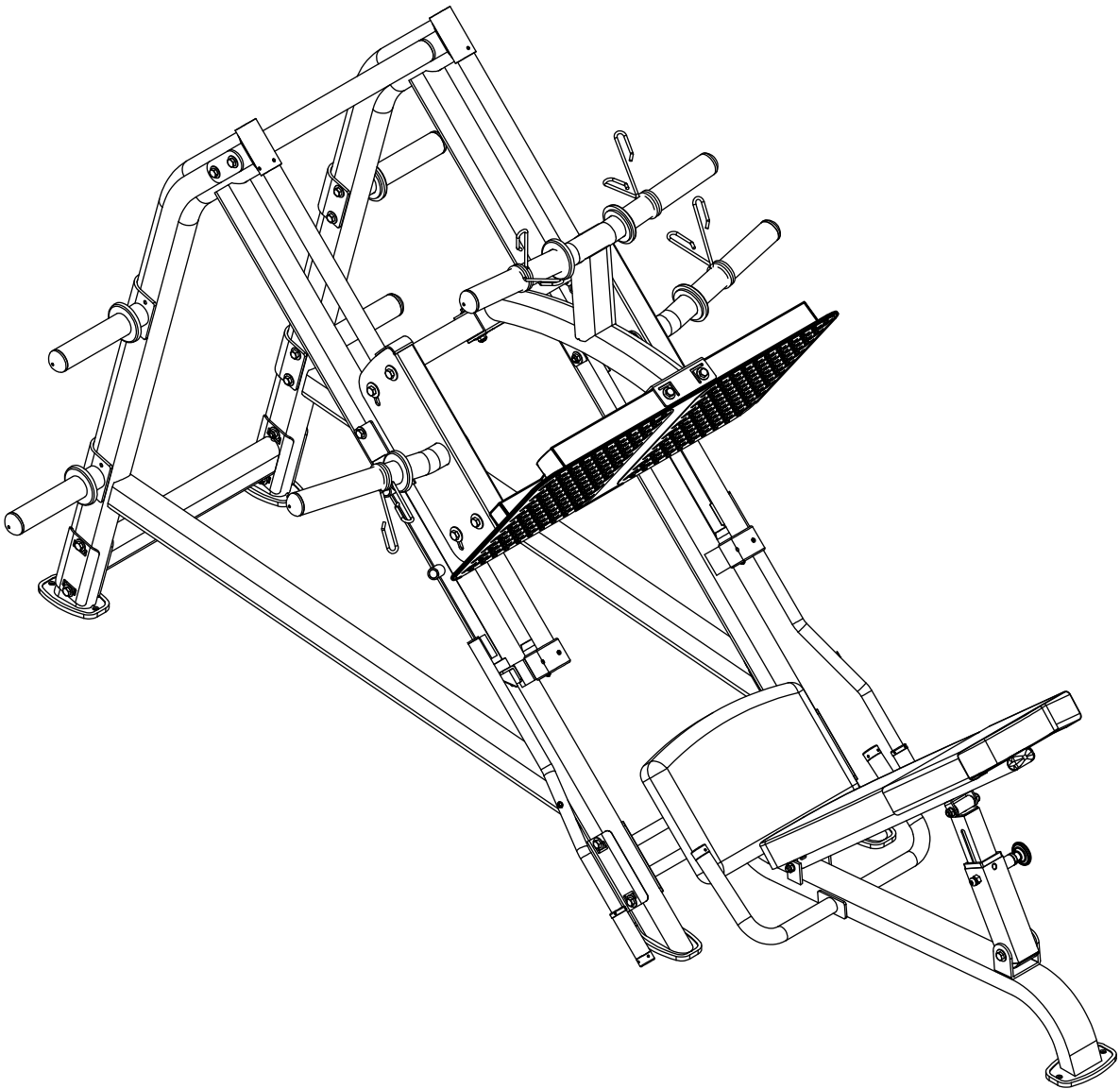




*PLDP.7*



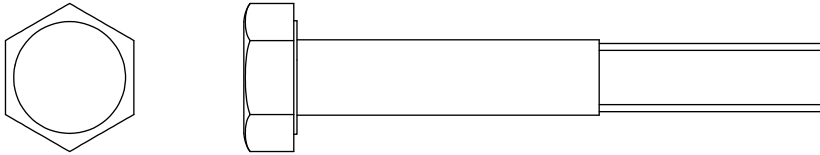
Assembly & Instructions  
**OWNER'S & MANUAL**

**PLDP.7 HARDWARE**  
(shown in actual size)

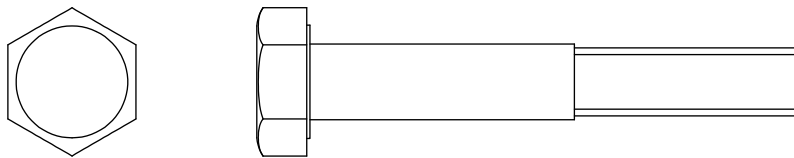
A1.M5X10L Round Cross Tapping Screw QTY.2



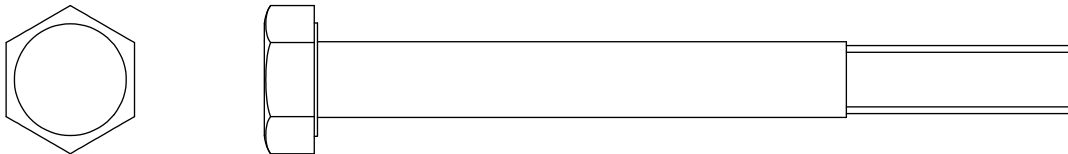
A2.M10X70L Hex Head Bolt Qty.16



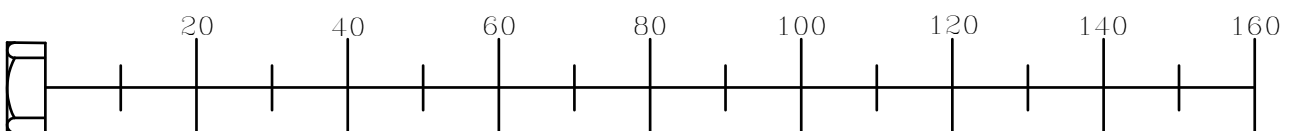
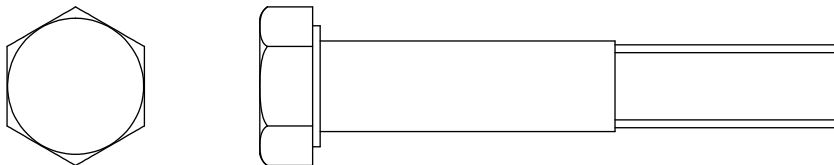
A3.M10X65L Hex Head Bolt Qty.10



A4.M10X100L Hex Head Bolt Qty.3



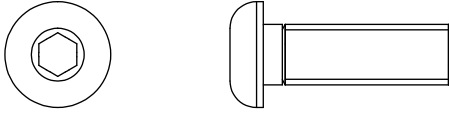
A5.M12X70L Hex Head Bolt (Pre-installed) Qty.8



**PLDP.7 HARDWARE**

(shown in actual size)

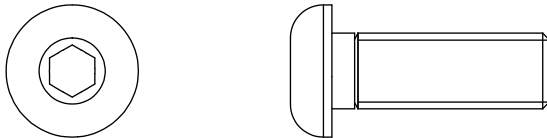
A7.M8X25L Round Head Screw Qty.8



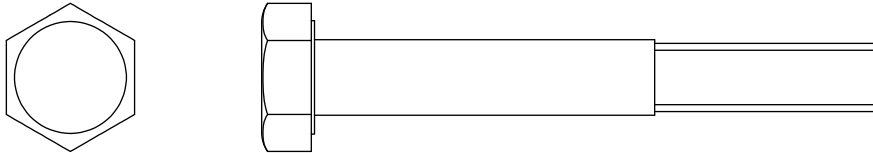
A8.M8X6L Sunk Screw (Pre-installed) Qty.8



A9.M10X30L Round Head Screw (Pre-installed) Qty.1



A10.M10X75L Hex Head Bolt Qty.2



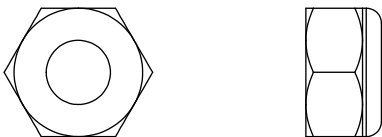
A11.M5X5L Sunk Screw (Pre-installed) Qty.12



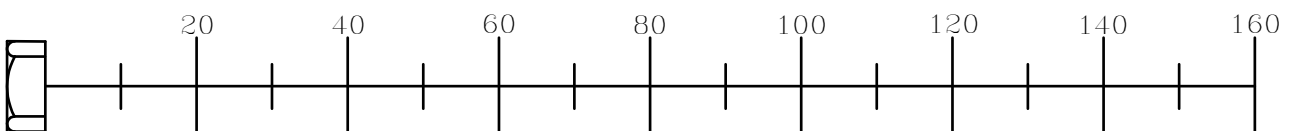
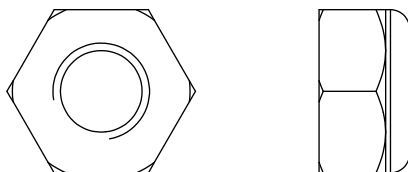
A12.M4X10L Blind Rivets (Pre-installed) Qty.12



B1.M10 Nylon Lock Nut (Pre-installed 4PCS) Qty.21



B2.M12 Nylon Lock Nut (Pre-installed) Qty.4

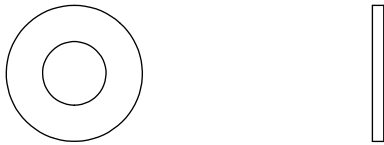


**PLDP.7 HARDWARE**  
(shown in actual size)

B3.M10 Nut (5T) (Pre-installed) Qty.1



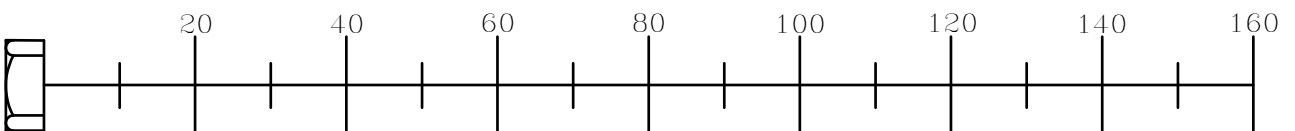
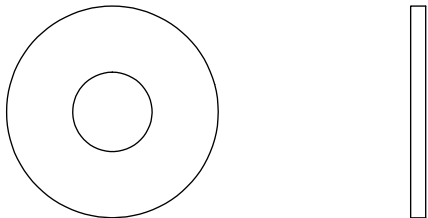
C1.M8 Washer (Ø18) Qty.8



C2.M8 Spring Washer Qty.8

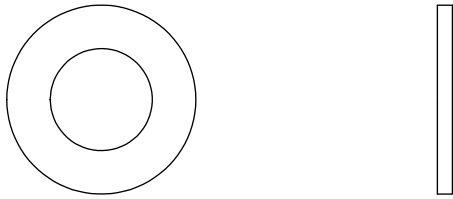


C3.M10 Washer (Ø28) Qty.48

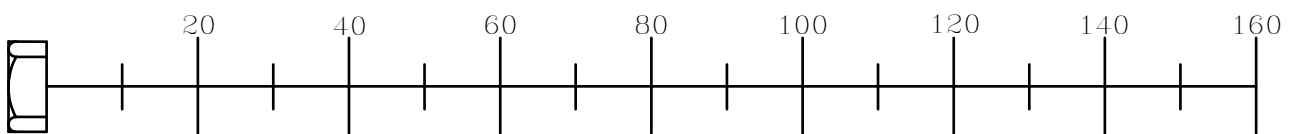
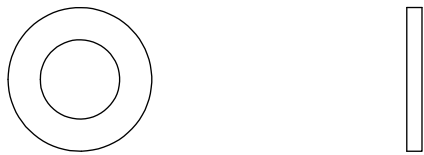


**PLDP.7 HARDWARE**  
(shown in actual size)

C4.M12 Washer (Ø25) (Pre-installed) Qty.12

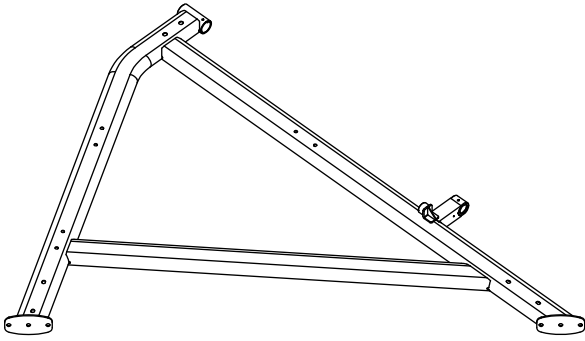


C5.M10 Washer (Ø19) (Pre-installed) Qty.4

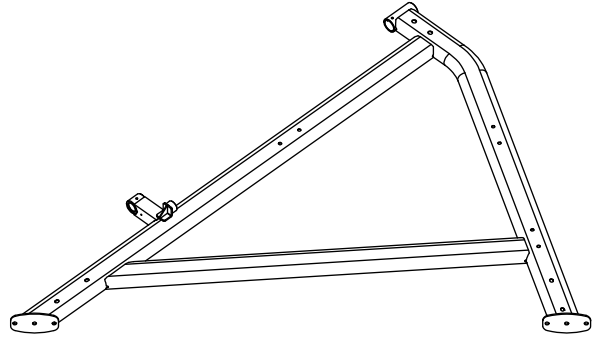


**PLDP.7 HARDWARE**  
(shown in actual size)

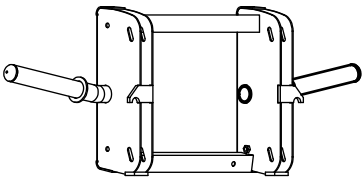
A[1PCS]



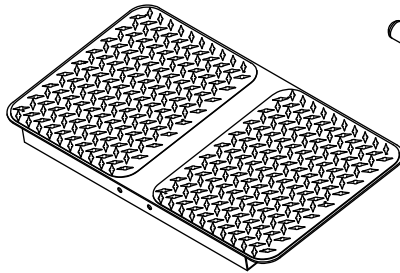
B[1PCS]



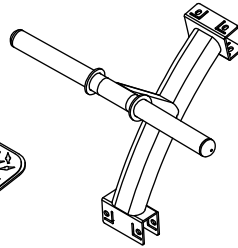
C[1PCS]



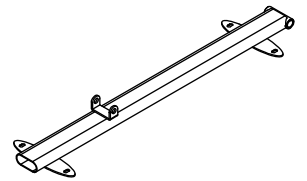
D[1PCS]



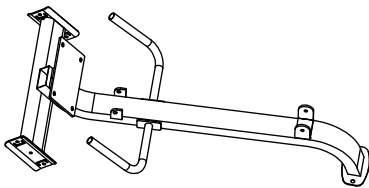
E[1PCS]



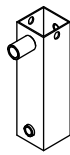
H[1PCS]



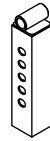
F[1PCS]



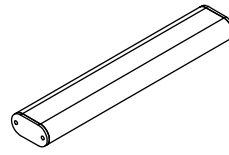
G[1PCS]



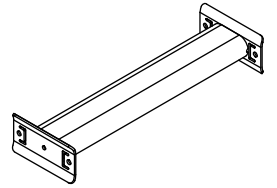
I[1PCS]



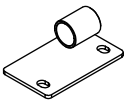
J[1PCS]



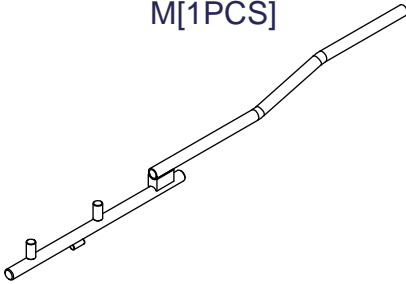
K[1PCS]



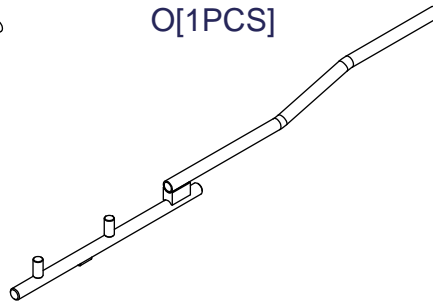
N[1PCS]



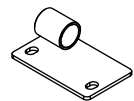
M[1PCS]



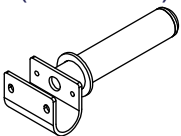
O[1PCS]



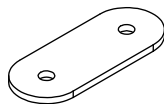
P[1PCS]



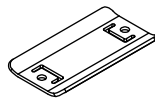
Q[4PCS]  
(6730-005)



S[2PCS]  
(8342-048)



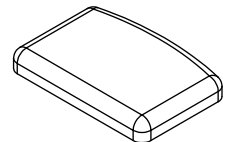
T[4PCS]  
(8323-234)



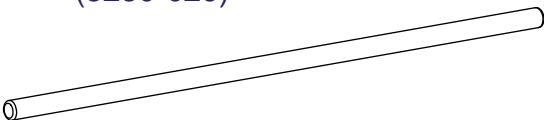
U[2PCS]  
(8312-165)



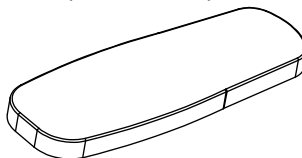
Y[1PCS]  
(9121-120)



V[2PCS]  
(8280-029)



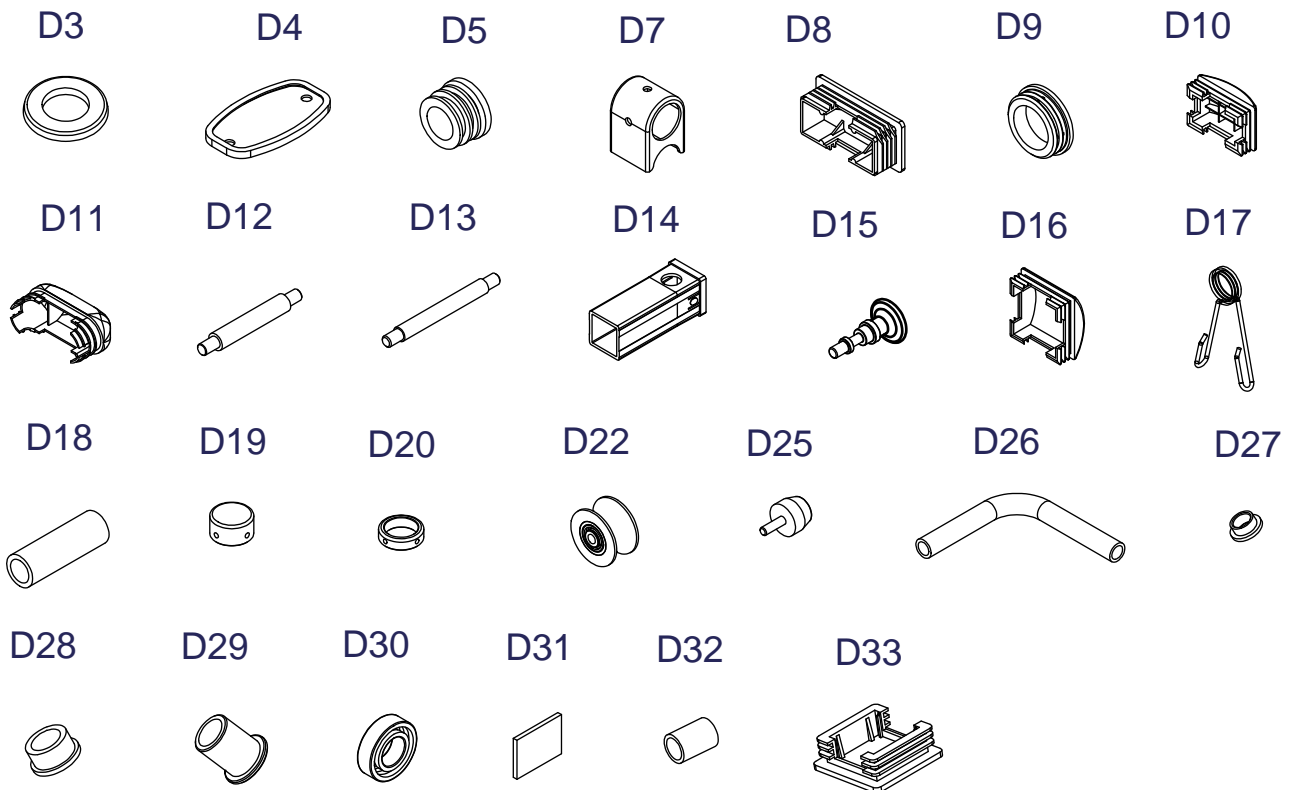
Z[1PCS]  
(9111-082)

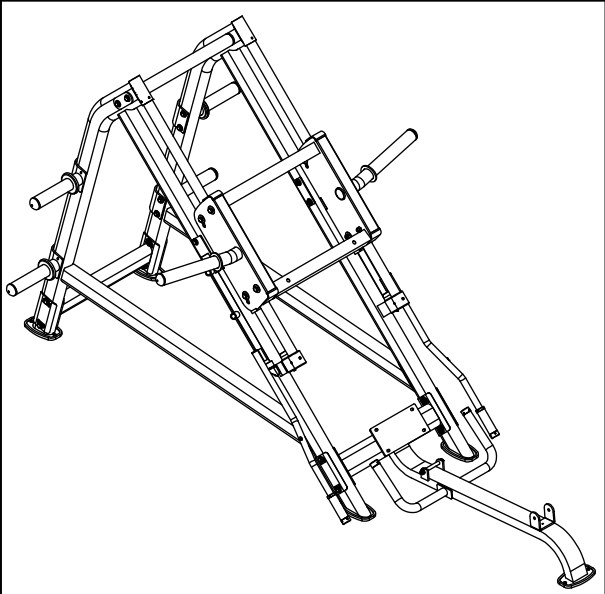


## PLDP.7 HARDWARE

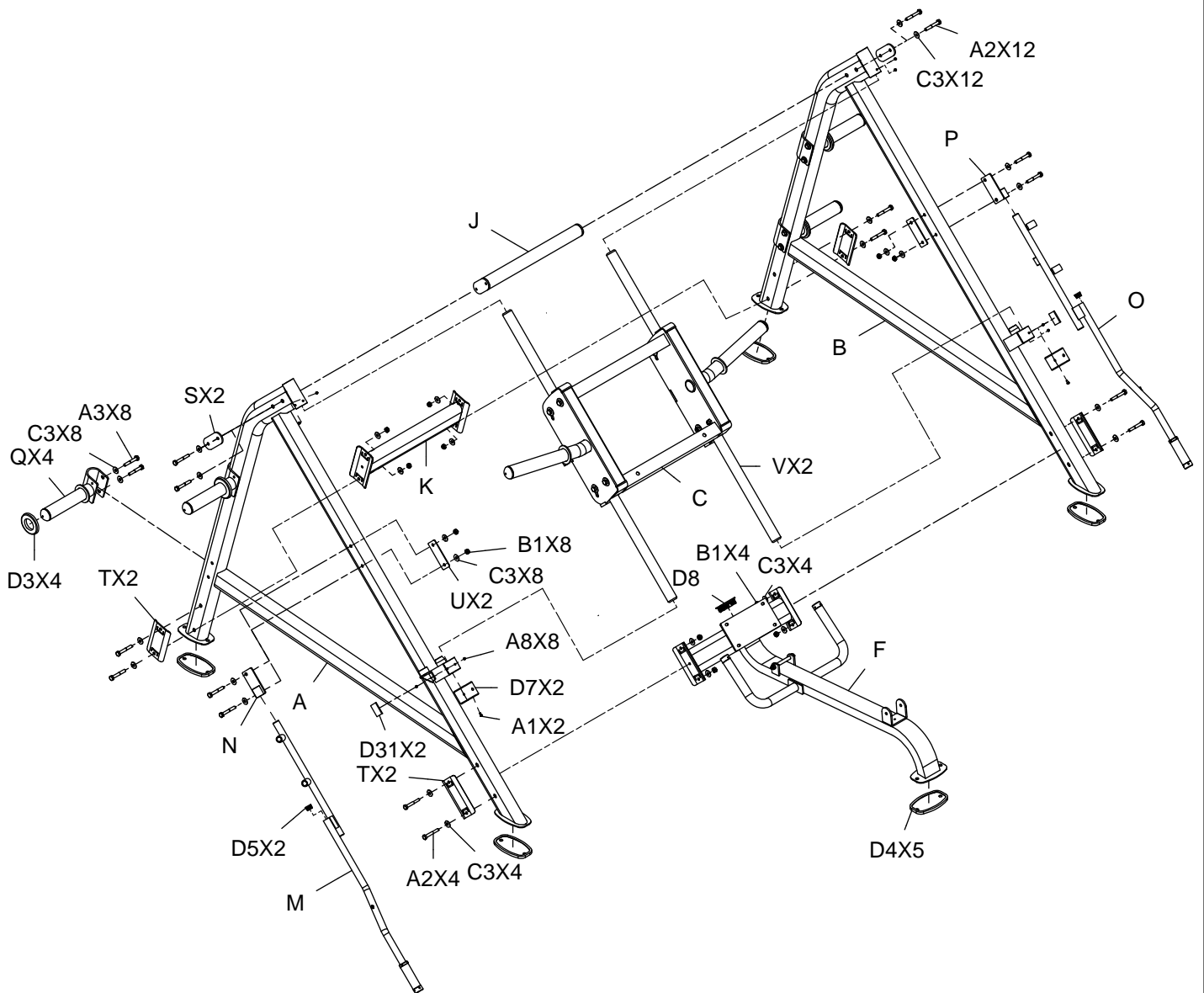
( shown in actual size )

D3.∅90X10T Rubber Dount (9310-016).....	8PCS
D4.Rubber Pad (9310-076).....	5PCS
D5.∅1"Round End Cap(9211-016).....	2PCS
D7.Bushing(9212-069).....	2PCS
D8.□40X80 End Cap(9211-010).....	1PCS
D9.∅50 Round End Cap(9211-020).....	2PCS
D10.□50X75 End Cap(9211-084).....	2PCS
D11.End Cap(9261-061).....	1PCS
D12.Double-edged Filature(8260-006)(Pre-installed).....	1PCS
D13.Double-edged Filature(8260-030)(Pre-installed).....	1PCS
D14.Double Deck Set(9211-047).....	1PCS
D15.Adjust Team(8250-065G)(Pre-installed).....	1PCS
D16.□60X2T End Cap(9211-092).....	1PCS
D17.Pinch Cock(OC-06).....	4PCS
D18.Impregnated With Handle(9162-165)(Pre-installed).....	2PCS
D19.Chrome Collar (8890-061)(Pre-installed).....	4PCS
D20.End Closure(8130-254)(Pre-installed).....	2PCS
D22.Guide Wheel(9266-025)(Pre-installed).....	8PCS
D25.Blocking pad(9310-018)(Pre-installed).....	2PCS
D26.Impregnated with handle(9162-153)(Pre-installed).....	2PCS
D27.Copper Bush(8520-011)(Pre-installed).....	2PCS
D28.Copper Bush(8520-001)(Pre-installed).....	4PCS
D29.Rigid Bearing(8530-024) (Pre-installed).....	16PCS
D30.Bearing(8510-012)(Pre-installed).....	16PCS
D31.Rubber Pad(9310-109).....	2PCS
D32.Immersed Tube(9162-167)(Pre-installed).....	4PCS
D33.End Cover(9211-006).....	2PCS

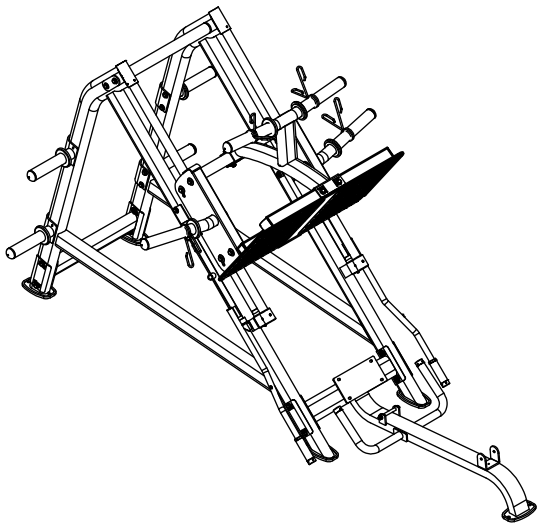




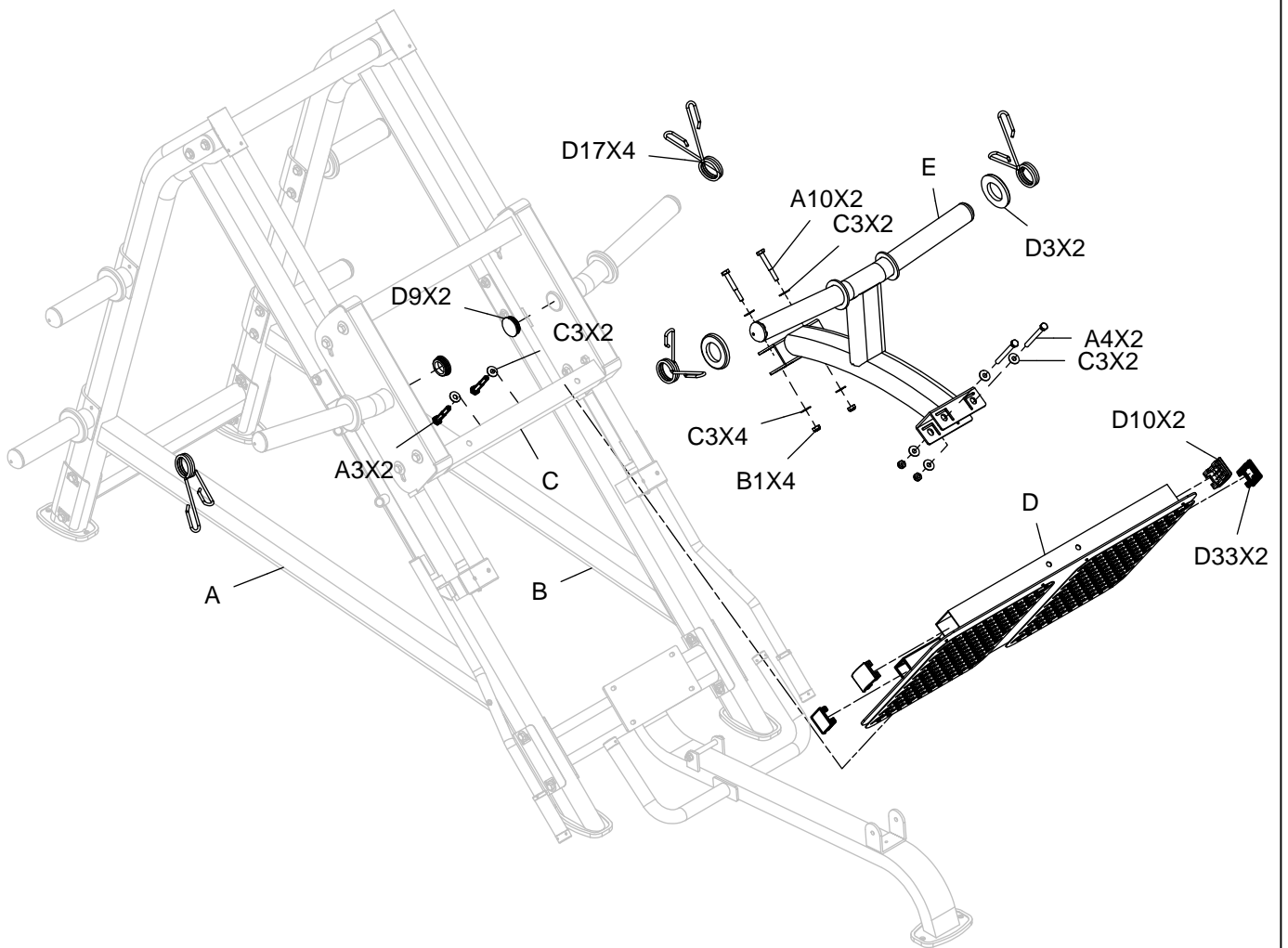
Above shows STEP 1 assembled and completed

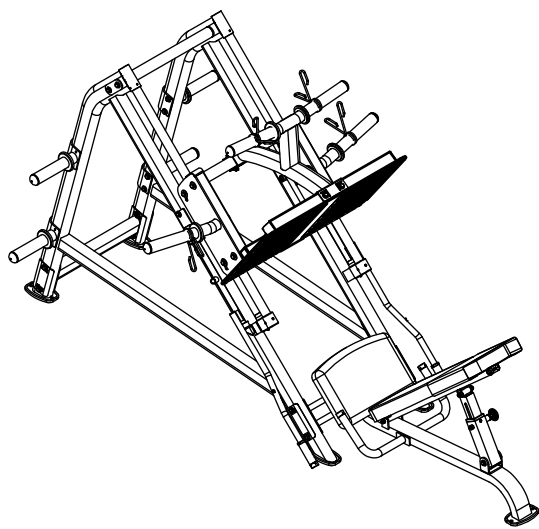




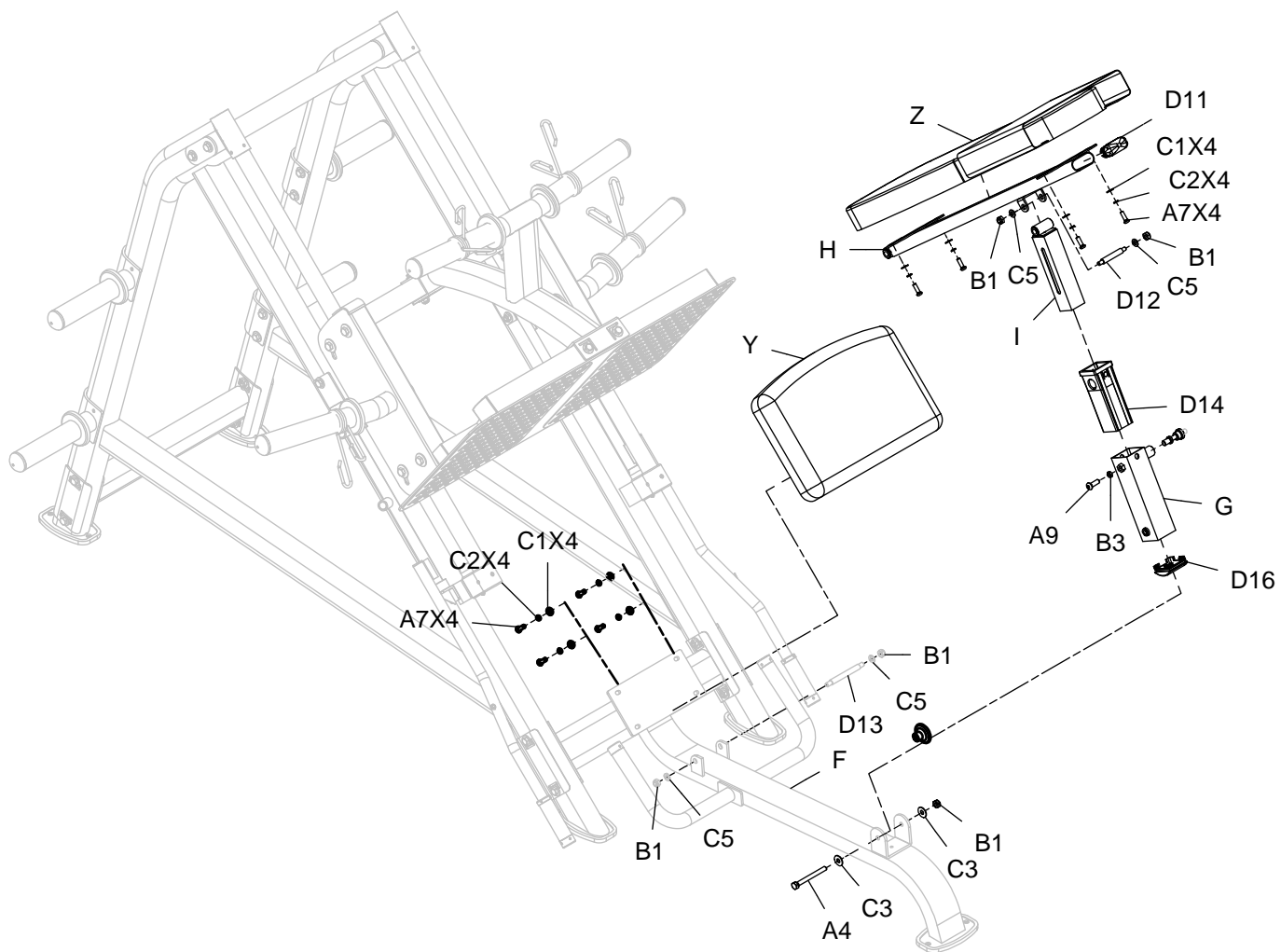


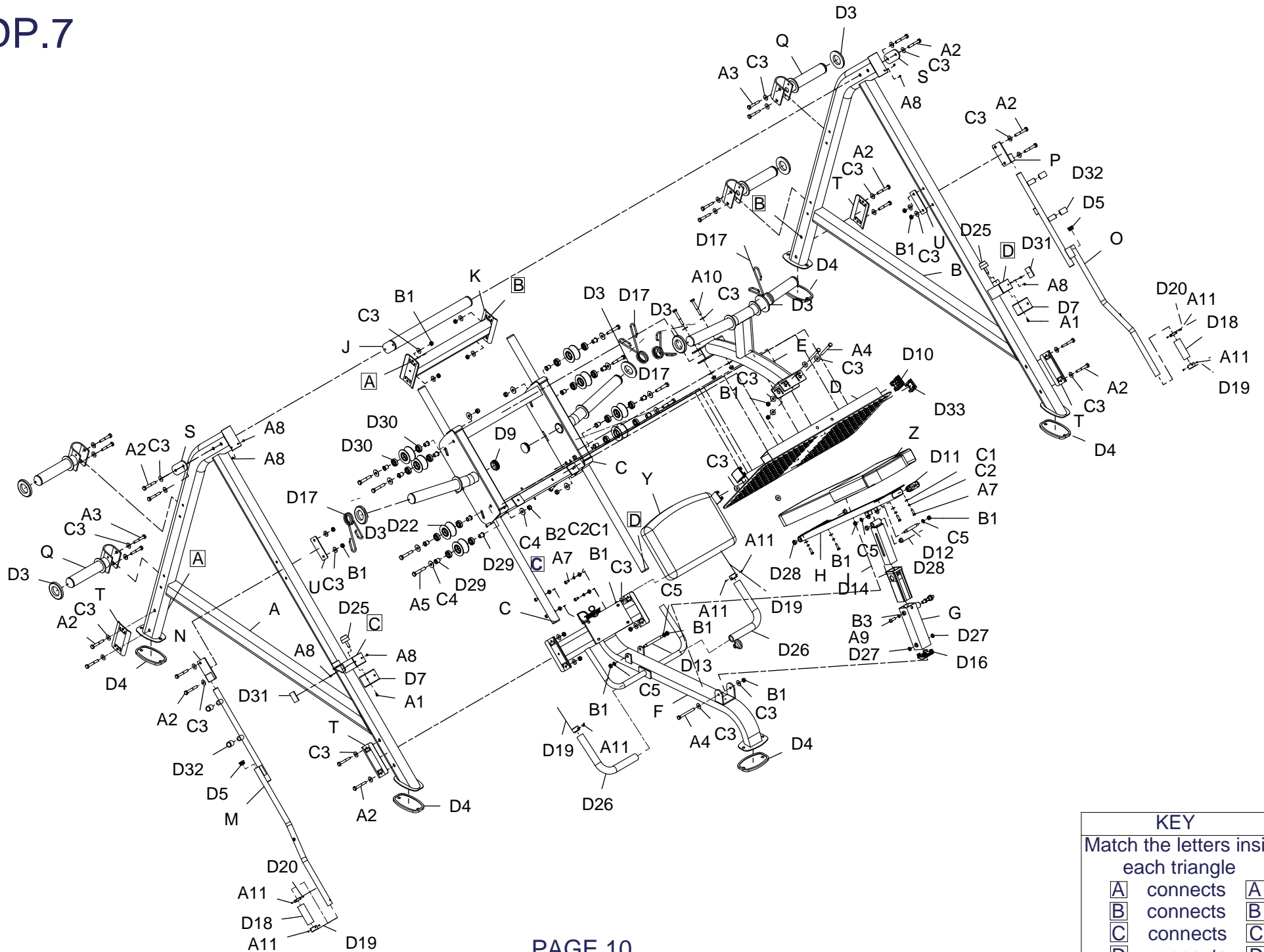
Above shows STEP 2 assembled and completed





Above shows STEP 3 assembled and completed





KEY			
Match the letters inside each triangle			
<b>A</b>	connects	<b>A</b>	
<b>B</b>	connects	<b>B</b>	
<b>C</b>	connects	<b>C</b>	
<b>D</b>	connects	<b>D</b>	