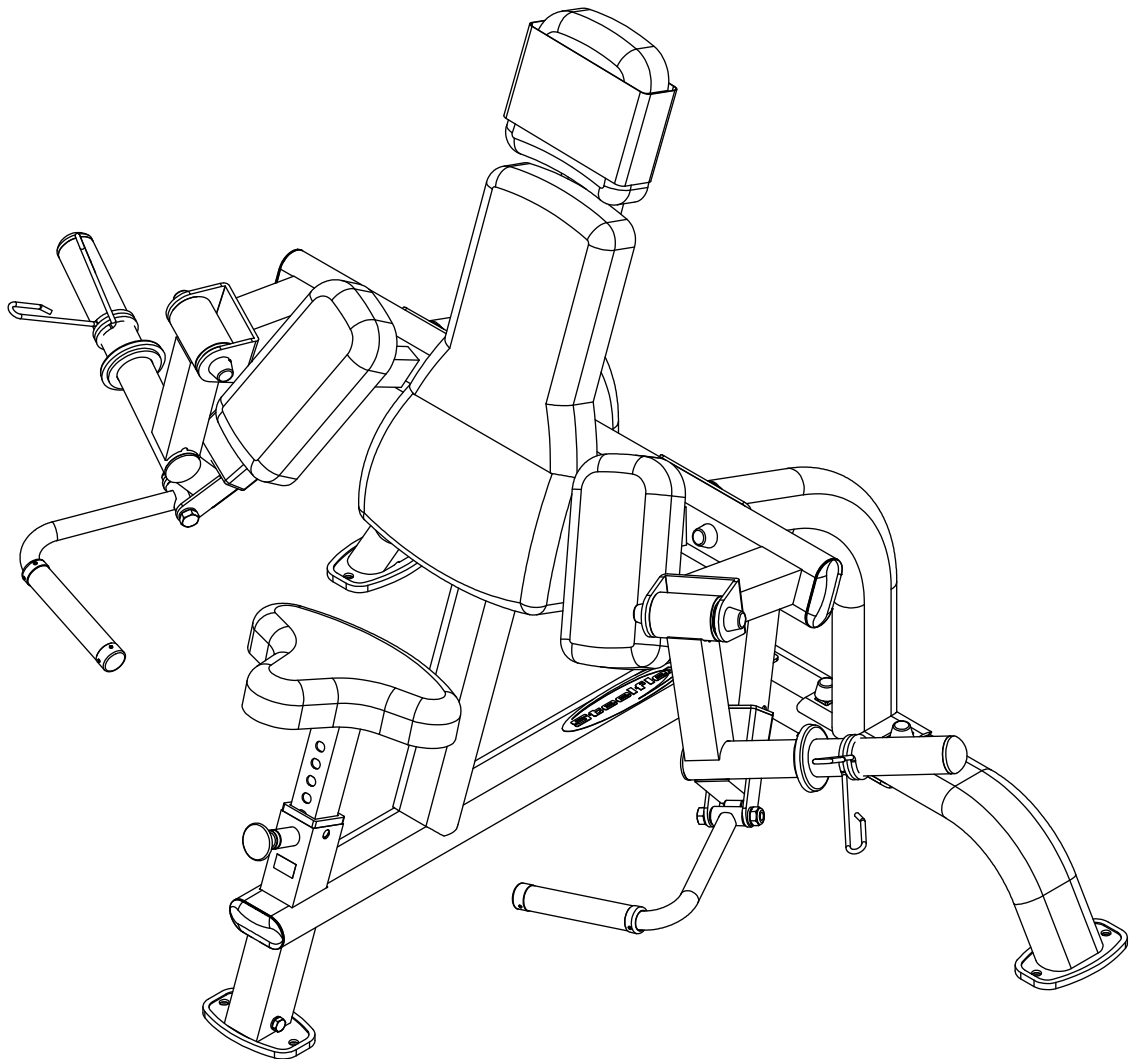


PLBC.5

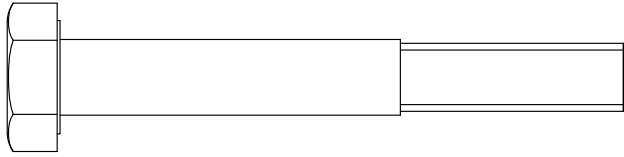
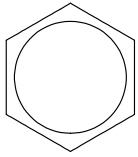


Assembly & Instructions

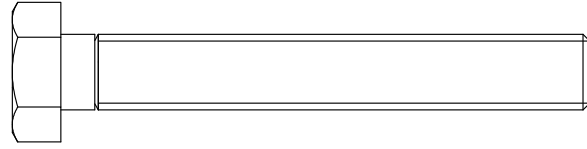
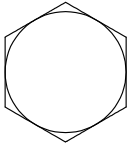
OWNER'S & MANUAL

PLBC.5 HARDWARE

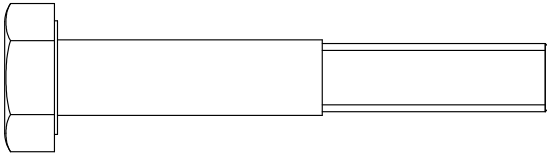
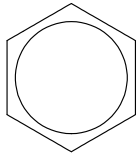
(shown in actual size)



A1. M10x75 HEX HEAD SCREW...1PCS (Pre-installed)



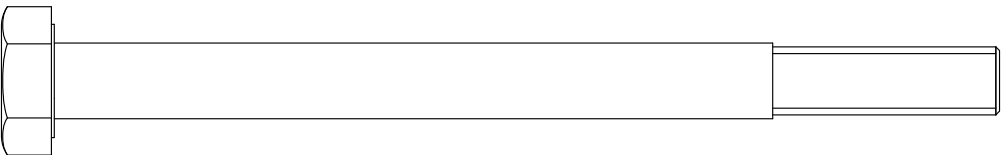
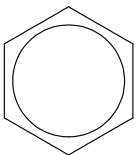
A2. M10x70 HEX HEAD SCREW...10PCS



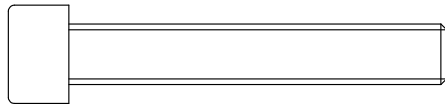
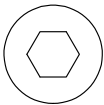
A3. M10x65 HEX HEAD SCREW(PARTIAL THREAD)...1PCS



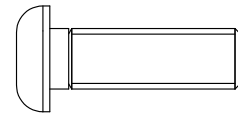
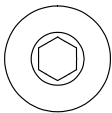
A4. M5X5 SUNK SCREW...8PCS (Pre-installed)



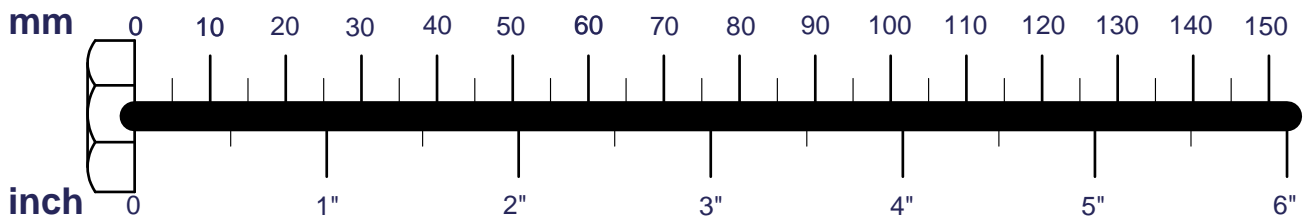
A5. M10x125 HEX HEAD SCREW (PARTIAL THERAD)...2PCS



A6. M8x50 SOCKET SCREW(FULL THREAD)...4PCS

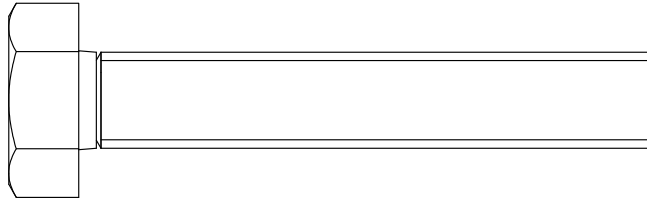
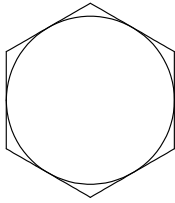


A7. M8x25 ROUND HEAD SCREW...13PCS

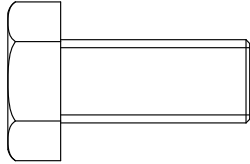
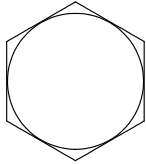


PLBC.5 HARDWARE

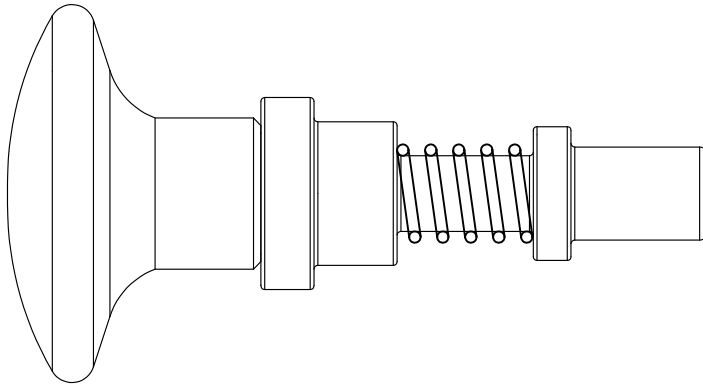
(shown in actual size)



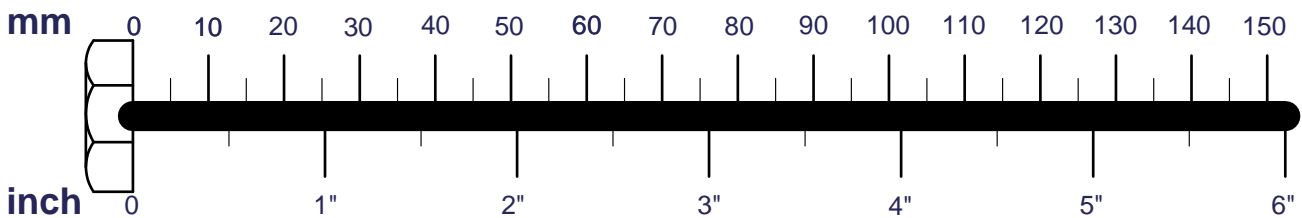
A8. 1/2" X 3" HEX HEAD SCREW...2PCS



A9. M12 X 25 HEX HEAD SCREW...2PCS

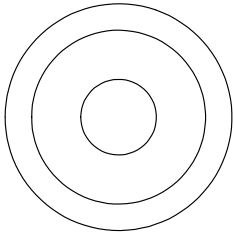


A10. 1/2"x38L POP PIN (8250-065G)...1PCS (Pre-installed)

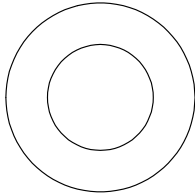


PLBC.5 HARDWARE

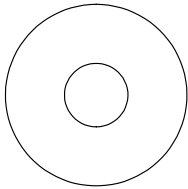
(shown in actual size)



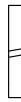
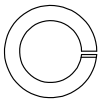
C1. M10 PLATE WASHER(Ø30)...24PCS



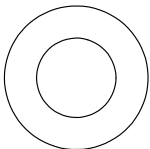
C2. 1/2" WASHER(Ø24)...4PCS



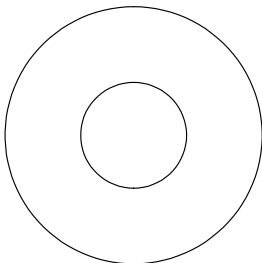
C3. M8 WASHER(Ø18)...13PCS



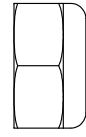
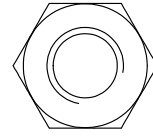
C4. M8 SPRING WASHER...13PCS



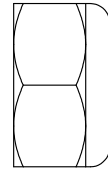
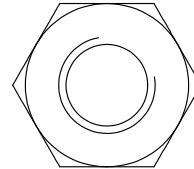
C5. M10 WASHER(Ø19)...2PCS (Pre-installed)



C6. M12 WASHER...2PCS



B1. M10 NYLON LOCK NUT...14PCS
(Pre-installed 1PCS)



B2. 1/2" NYLON LOCK NUT...2PCS

mm

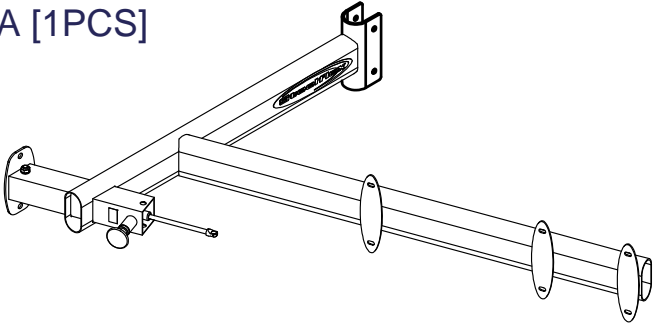
0 10 20 30 40 50 60 70 80 90 100 110 120 130 140 150

inch

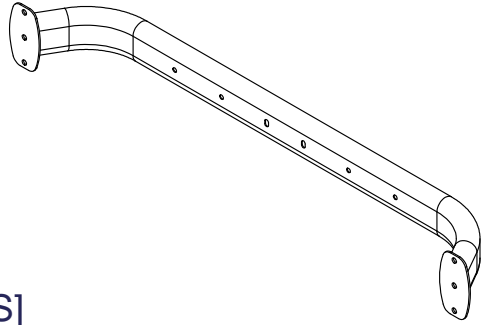
0 1" 2" 3" 4" 5" 6"

PLBC.5 PARTS

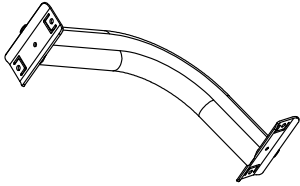
A [1PCS]



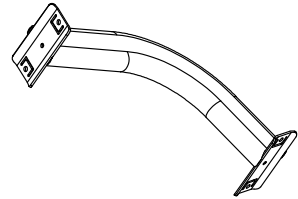
B [1PCS]



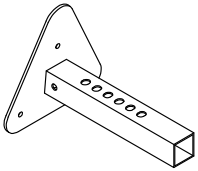
C [1PCS]



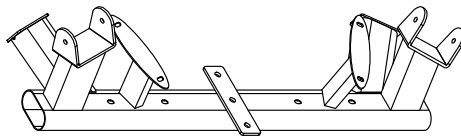
D [1PCS]



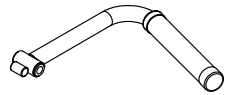
E [1PCS]



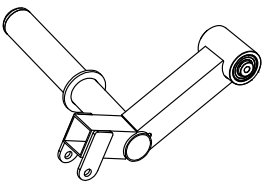
F [1PCS]



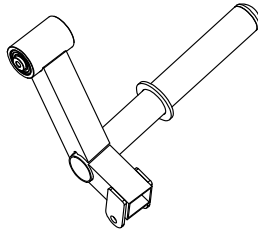
I [2PCS]



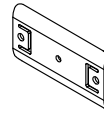
G [1PCS]



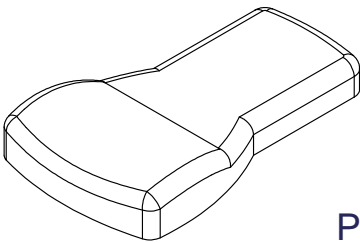
H [1PCS]



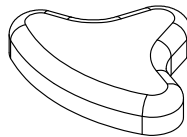
L [2PCS]
8323188



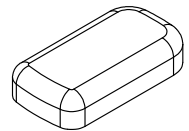
M [1PCS]
9111072



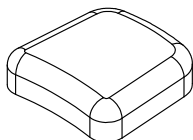
N [1PCS]
9144016



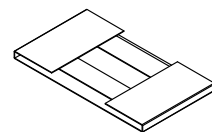
Q [2PCS]
9131037



P [1PCS]
9131025



S [1PCS]
9119010



PLBC.5 PARTS

D1. Chrome colla (8890-061) pre-installed	[2PCS]
D2. Steel Casing (8530-009)	[2PCS]
D3. End Cap (9211-087)	[2PCS]
D4. Ø50 End Cap (9211-020)	[2PCS]
D7. 50x100 Round End Cap (9211-193)	[4PCS]
D8. Rubber Dount (9310-016)	[2PCS]
D9. Rubber Insert (9310-076)	[3PCS]
D10. Block Rubber (9310-077)	[2PCS]
D11. Pinch Cock (OC-06)	[2PCS]
D12. Cap Sleeve (9212-026)	[24PCS]
D13. Co er Washer (8520-001) pre-installed	[4PCS]
D14. Bearing (8510-020) pre-installed	[4PCS]
D15. Steel Casing (8120-082) pre-installed	[4PCS]
D16. Impregnated With Handle (9162-162) pre-installed	[2PCS]
D17. 60X60 Nylon Bushing (9211-047)	[1PCS]
D18. Hydraulic Seat Adjuster (8830-023) pre-installed	[1PCS]
D19. End Closure (8130-253) pre-installed.....	[2PCS]

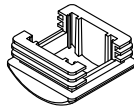
D1



D2



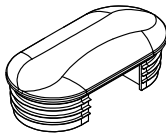
D3



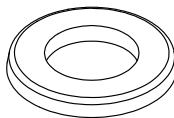
D4



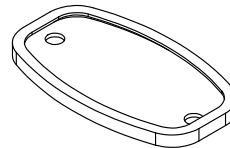
D7



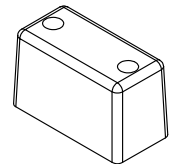
D8



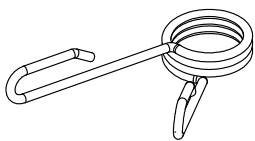
D9



D10



D11



D12



D13



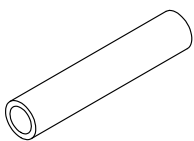
D14



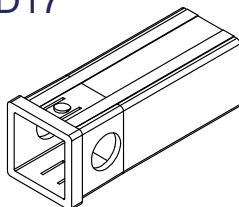
D15



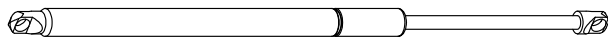
D16



D17

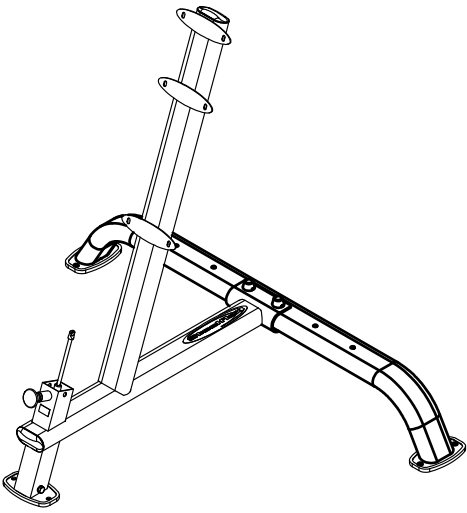


D18

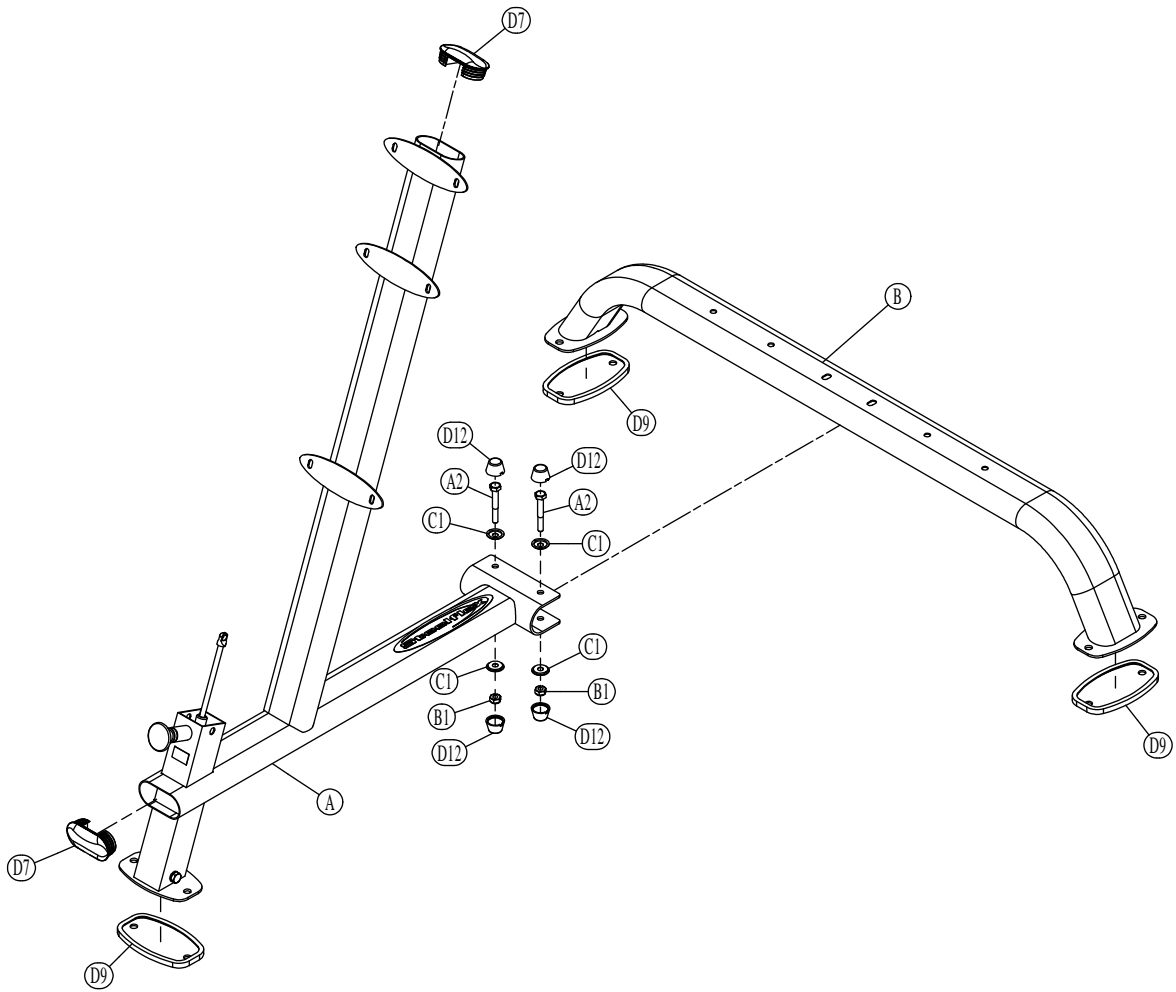


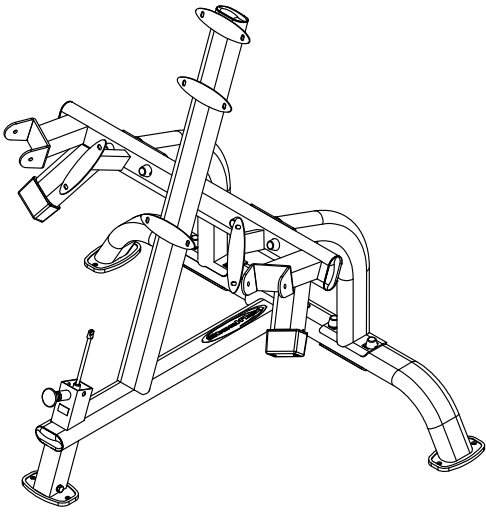
D19



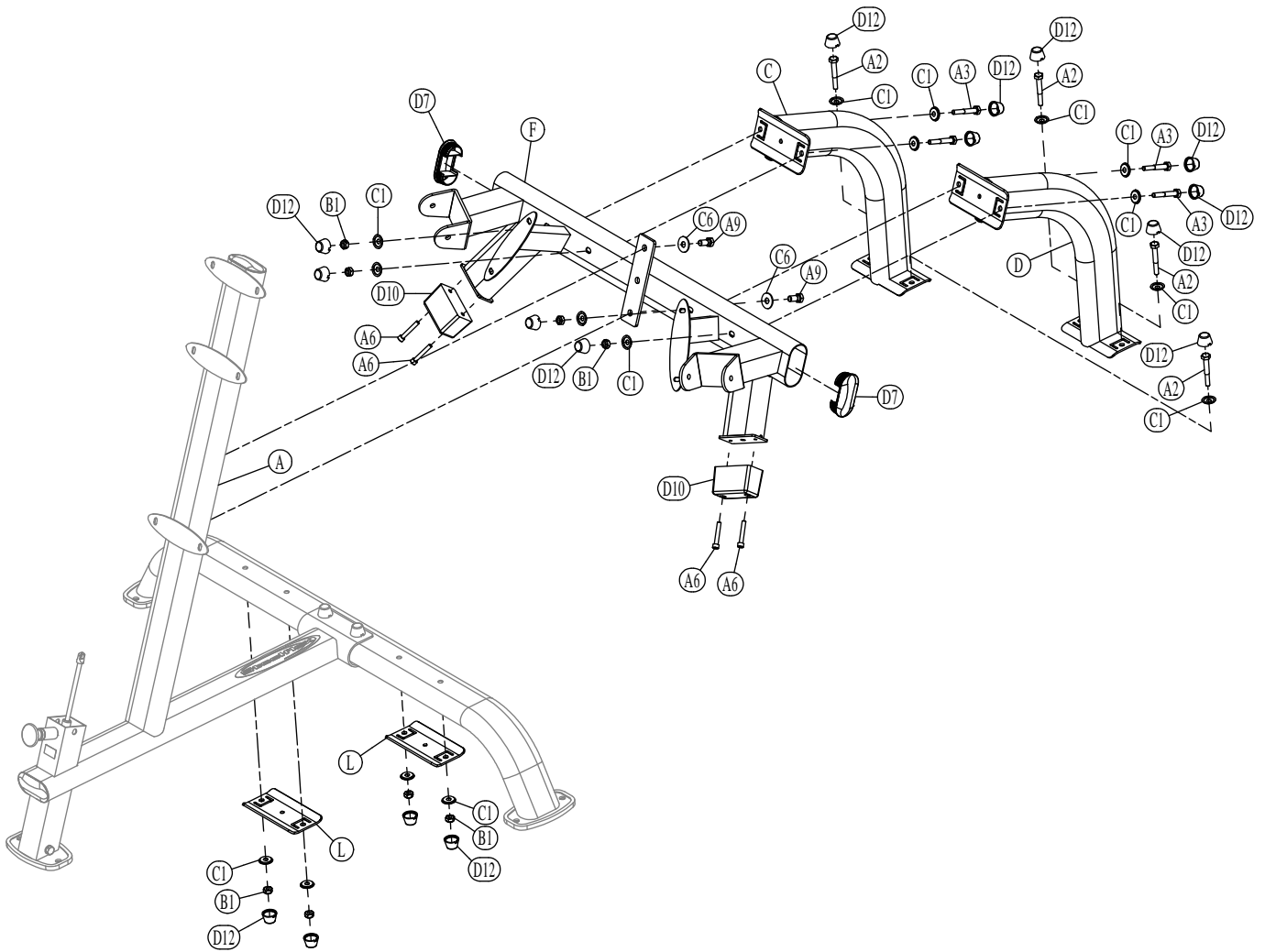


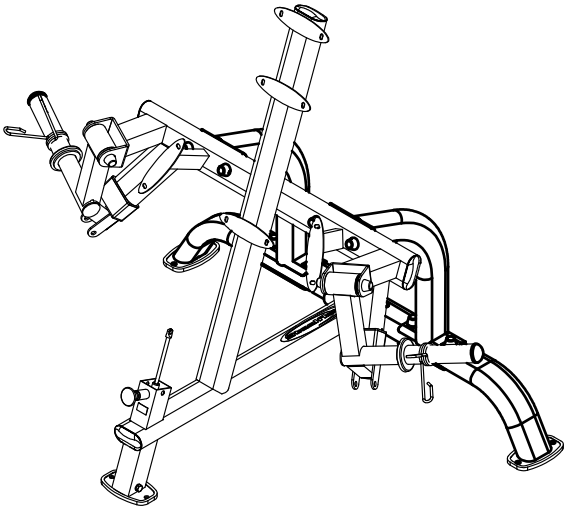
Above shows STEP 1 assembled and completed



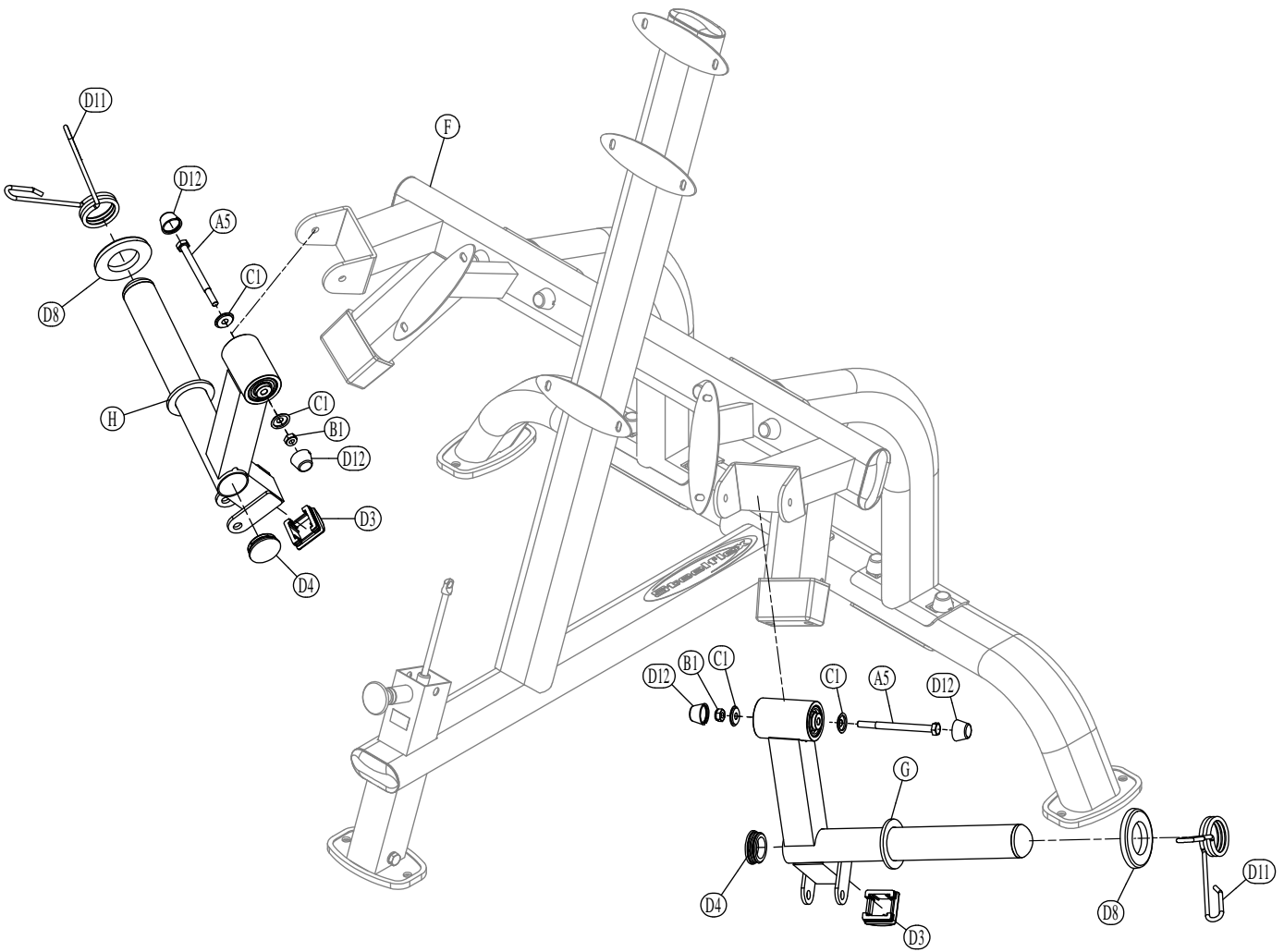


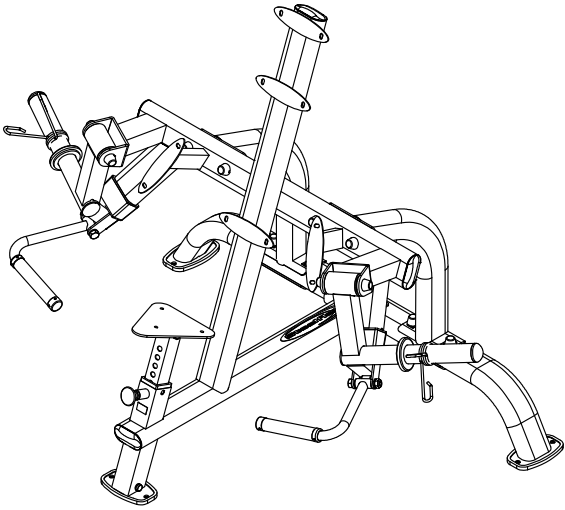
Above shows STEP 2 assembled and completed



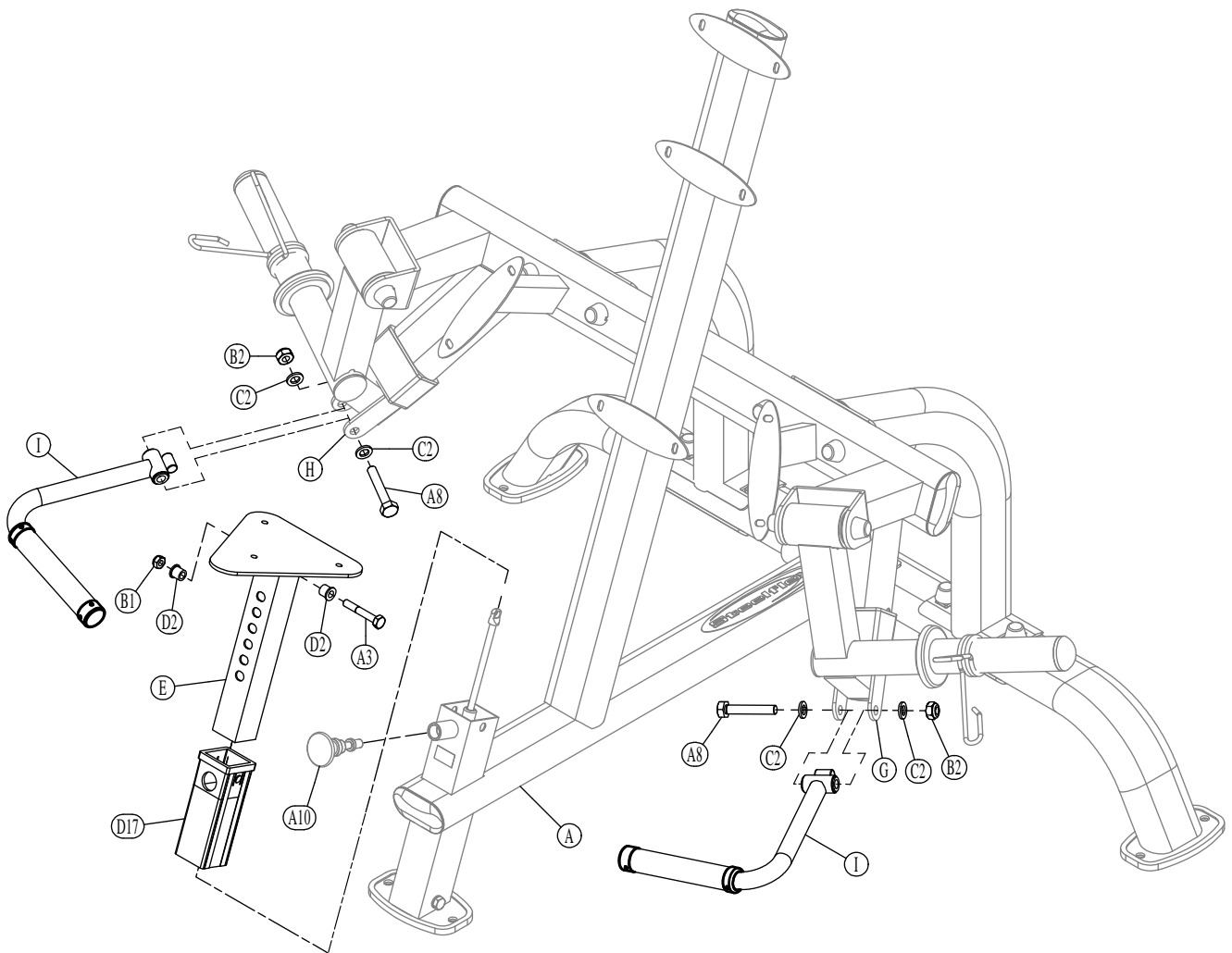


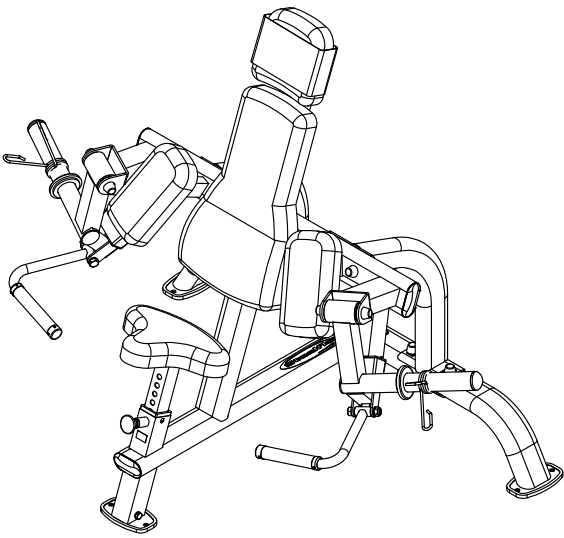
Above shows STEP 3 assembled and completed



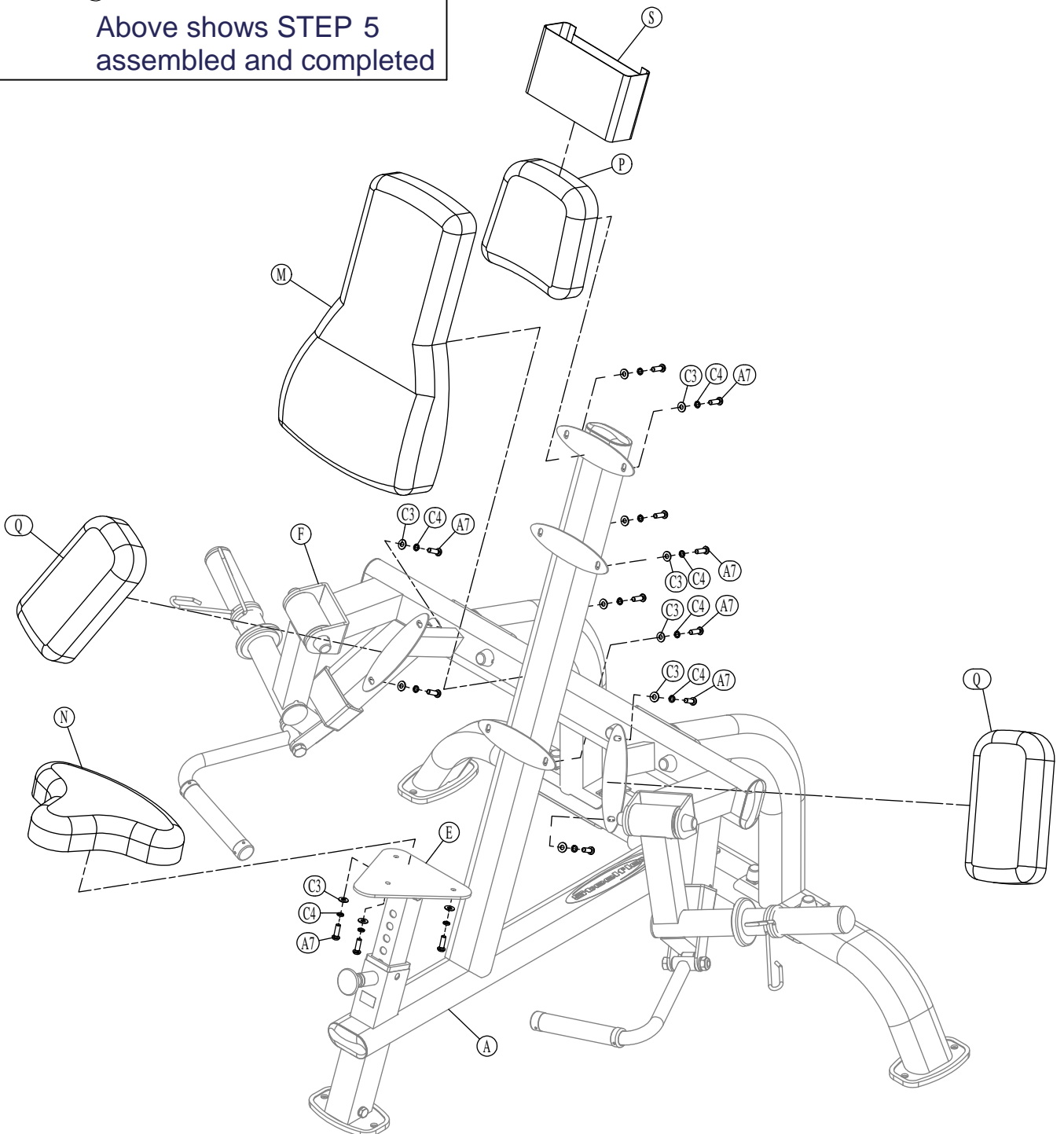


Above shows STEP 4 assembled and completed

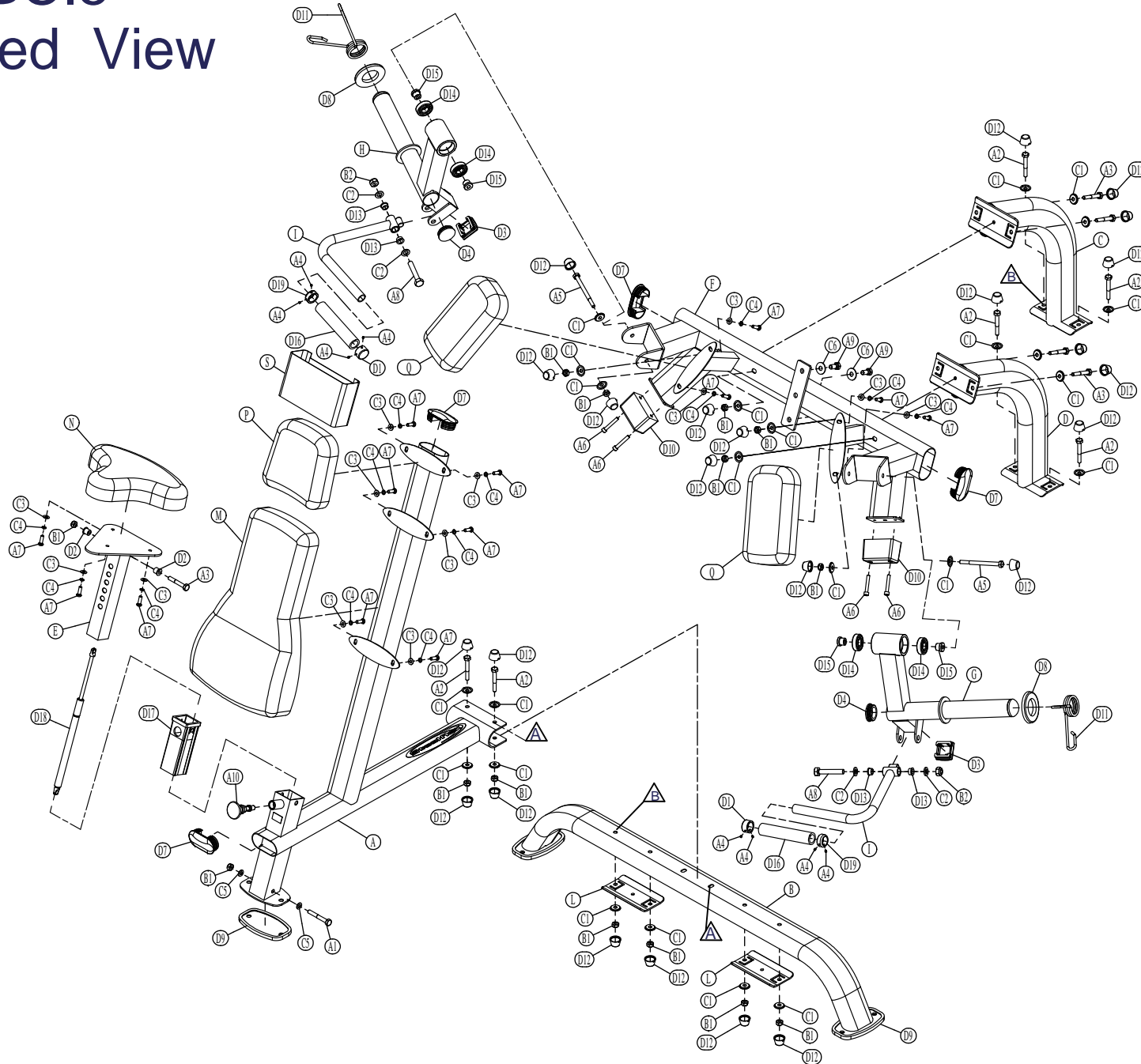




Above shows STEP 5 assembled and completed



PLBC.5 Exploded View



KEY			
Match the letters inside each triangle			
	connets		
	connets		