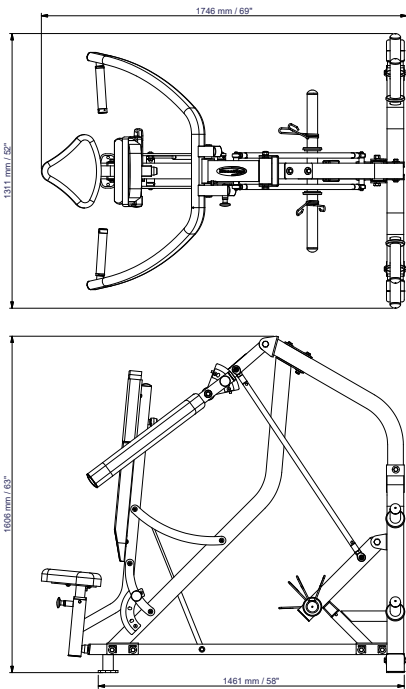


PL2100 Plateload

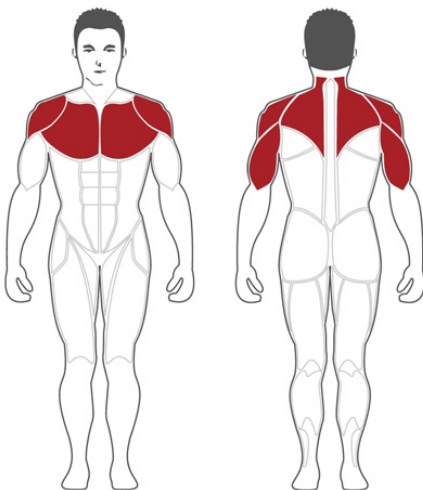
Chest/Shoulder Machine



The Steelflex Plate Load PL2100 Chest/Shoulder machine provides the ideal workout focusing on your chest and shoulders, providing a perfect strength exercise.

This machine is perfect for the gym that has limited space but still wants to take advantage of this economical range of commercial fitness equipment.

- Olympic weight posts (for use only with olympic weight plates)
- For both commercial and non-commercial use
- **Weight plates not included**



FEATURES

- 12 gauge steel frame, 5 x 10 cm square tubing
- Electrostatically applied powder coating
- 50 mm CGPC high density foam upholstery & ergonomic design
- Industrial rated bearings, sealed bearings at all pivot points
- Dipped PVC handle
- Continuous welds at all pivot points
- Numerous adjustments to optimize your working position
- Quick adjustment of the backrest by means of a tilting system
- Strong lever arm

SPECIFICATIONS

Dimensions:	174.6 x 131 x 160.6 cm
Product weight:	107 kg
Max. user weight:	120 kg

WARRANTY: COMMERCIAL AND RESIDENTIAL

Frame	15 years
Bearings	2 years
Upholstery & grips	6 months
Other parts	1 year