

SOLE

FITNESS



UPRIGHT

Model : 16867394
OWNER'S MANUAL

**PLEASE CAREFULLY READ THIS ENTIRE MANUAL BEFORE OPERATING
YOUR NEW UPRIGHT!**

TABLE OF CONTENTS

<u>Product Registration</u>	<u>3</u>
<u>Important Safety Instructions</u>	<u>4</u>
<u>Important Electrical Information</u>	<u>5</u>
<u>Important Operation Instructions</u>	<u>5</u>
<u>Assembly Instructions</u>	<u>7</u>
<u>Fitness Bike Features</u>	<u>10</u>
<u>Operation of Your New Fitness Bike</u>	<u>11</u>
<u>Programmable Features</u>	<u>14</u>
<u>Using Heart Rate Monitor</u>	<u>19</u>
<u>General Maintenance</u>	<u>21</u>
<u>Exploded View Diagram</u>	<u>22</u>
<u>Parts List</u>	<u>23</u>
<u>Manufacturer's limited warranty</u>	<u>25</u>

ATTENTION

THIS FITNESS BIKE IS INTENDED FOR **RESIDENTIAL USE ONLY** AND IS WARRANTED FOR THE APPLICATION. ANY OTHER APPLICATION **VOIDS** THIS WARRANTY IN ITS ENTIRETY.



FITNESS

CONGRATULATIONS ON YOUR NEW UPRIGHT AND WELCOME TO THE SOLE FAMILY!

Thank you for your purchase of this quality Sole Upright from [Dyaco Canada Inc.](#) Your new Upright has been manufactured by one of the leading fitness manufacturers in the world and is backed by one of the most comprehensive warranties available. [Dyaco Canada Inc.](#) will do all we can to make your ownership experience as pleasant as possible for many years to come.

If you have any questions about your new Sole product or questions about the warranty contact [Dyaco Canada Inc.](#) at 1-888-707-1880.

Please take a moment at this time to record below the name of the dealer, their telephone number, and the date of purchase for easy contact in the future. We appreciate your confidence in SOLE and we will always remember that you are the reason that we are in business. Please complete and mail your registration card today and enjoy your new Upright.

Yours in Health,
[Dyaco Canada Inc.](#)

Name of Dealer _____

Telephone Number of Dealer _____

Purchase Date _____

PRODUCT REGISTRATION

RECORD YOUR SERIAL NUMBER

Please record the Serial Number of this fitness product in the space provided below.

Serial Number _____



IMPORTANT SAFETY INSTRUCTIONS

WARNING - Read all instructions before using this appliance.

- Do not operate fitness bike on deeply padded, plush or shag carpet. Damage to both carpet and fitness bike may result.
- Keep children away from the fitness bike. There are obvious pinch points and other caution areas that can cause harm.
- Keep hands away from all moving parts.
- Never operate the fitness bike if it has a damaged cord or plug. If the fitness bike is not working properly, call your dealer.
- Keep the cord away from heated surfaces.
- Never drop or insert any object into any openings.
- Do not use outdoors.
- Do not attempt to use your fitness bike for any purpose other than for the purpose it is intended.
- The hand pulse sensors are not medical devices. Various factors, including the user's movement, may affect the accuracy of heart rate readings. The pulse sensors are intended only as exercise aids in determining heart rate trends in general.
- Wear proper shoes. High heels, dress shoes, sandals or bare feet are not suitable for use on your fitness bike. Quality athletic shoes are recommended to avoid leg fatigue or injury.

SAVE THESE INSTRUCTIONS - THINK SAFETY!

IMPORTANT ELECTRICAL INSTRUCTIONS

WARNING!

NEVER remove any cover without first disconnecting AC power.

If voltage varies by ten percent (10%) or more, the performance of your fitness bike may be affected. **Such conditions are not covered under your warranty.** If you suspect the voltage is low, contact your local power company or a licensed electrician for proper testing.

NEVER expose this fitness bike to rain or moisture. This product is **NOT** designed for use outdoors, near a pool or spa, or in any other high humidity environment. The operating temperature specification is 40 to 120 degrees Fahrenheit, and humidity is 95% non-condensing (no water drops forming on surfaces).

IMPORTANT OPERATION INSTRUCTIONS

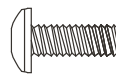
- **NEVER** operate this fitness bike without reading and completely understanding the results of any operational change you request from the computer.
- **NEVER** use your fitness bike during an electrical storm. Surges may occur in your household power supply that could damage fitness bike components. Unplug the fitness bike during an electrical storm as a precaution.
- Do not use excessive pressure on console control keys. They are precision set to function properly with little finger pressure. If you feel the buttons are not functioning properly with normal pressure contact your dealer.

ASSEMBLY PACK CHECKLIST

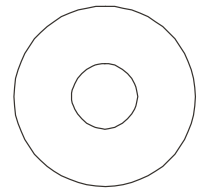
1 HARDWARE STEP 1



#50. 3/8" x 2-1/4"
Hex Head Bolt (2 pcs)



#58. M5 x 12mm
Phillips Head Screw
(2 pcs)

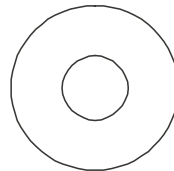


#71. 3/8" x 25mm x 2T
Flat Washer (2 pcs)

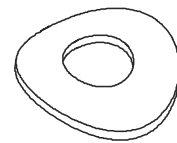
2 HARDWARE STEP 2



#51. 5/16" x 5/8"
Hex Head Bolt (7 pcs)

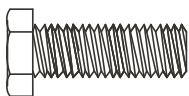


#72. 5/16" x 18mm x 1.5T
Flat Washer (6 pcs)

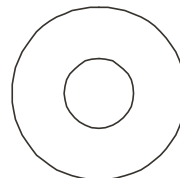


#99. 5/16" x 19mm x 1.5T
Curved Washer (1 pc)

3 HARDWARE STEP 3



#51. 5/16" x 5/8"
Hex Head Bolt (2 pcs)

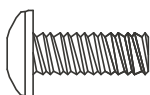


#72. 5/16" x 18mm x 1.5T
Flat Washer (2 pcs)



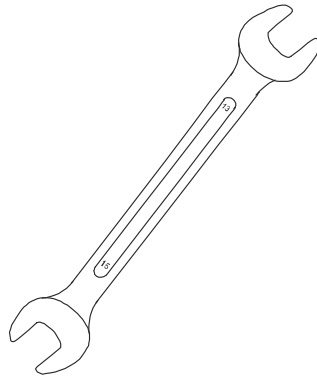
#103. 5/16" x 1.5T
Split Washer (2 pcs)

4 HARDWARE STEP 4

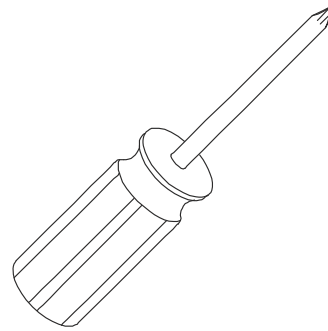


#58. M5 x 12mm
Phillips Head Screw (6 pcs)

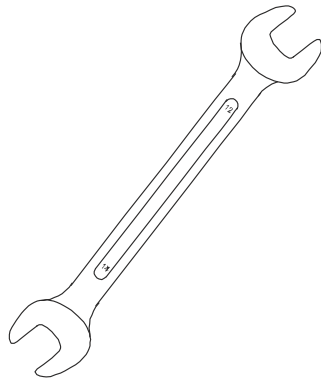
ASSEMBLY TOOLS



#92. 13/15mm Wrench



#93. Phillips Head Screwdriver



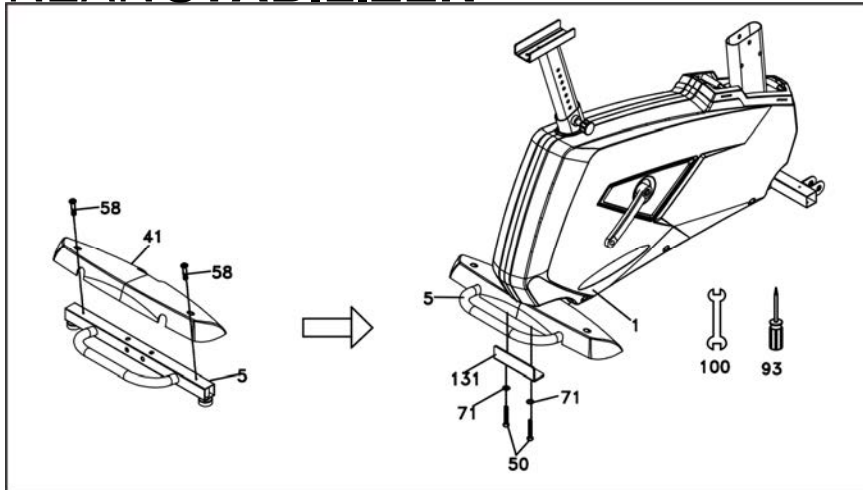
#100. 12/14mm Wrench

ASSEMBLY INSTRUCTIONS

PRE-ASSEMBLY

1. Using a razor knife (Box Cutter) cut the outside, bottom, edge of box. Lift Box over the unit and unpack.
2. Carefully remove all parts from carton and inspect for any damage or missing parts. If damaged parts are found, or parts are missing, contact your dealer immediately.
3. Locate the hardware package. Remove the tools first. Remove the hardware for each step as needed to avoid confusion. The numbers in the instructions that are in parenthesis (#) are the item number from the assembly drawing for reference.

1 REAR STABILIZER

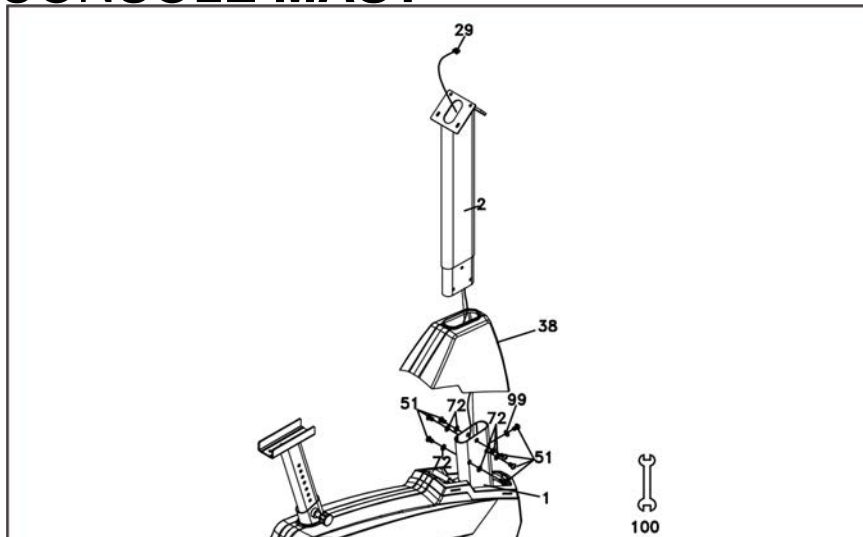


HARDWARE STEP 1

- #50. 3/8" x 2-1/4" Hex Head Bolt (2 pcs)
- #58. M5 x 12mm Phillips Head Screw (2 pcs)
- #71. 3/8" x 25mm x 2T Flat Washer (2 pcs)

1. Attach the Rear Stabilizer Cover (41) to the Rear Stabilizer (5) with two Phillips Head Screws (58). Tighten with the Phillips Head Screw Driver (93).
2. Attach the Rear Stabilizer (5) to the Main Frame (1) by sliding two Flat Washers (71) onto two Hex Head Bolts (50); insert the bolts through the Rear Stabilizer Attachment Plate (131), then into the rear stabilizer. Tighten using the 12/14 mm Wrench (100).

2 CONSOLE MAST

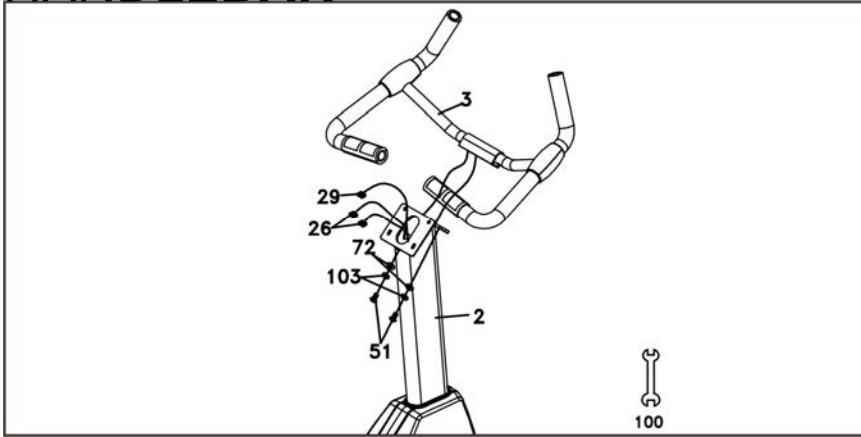


HARDWARE STEP 2

- #51. 5/16" x 5/8" Hex Head Bolt (7 pcs)
- #72. 5/16" x 18mm x 1.5T Flat Washer (6 pcs)
- #99. 5/16" x 19mm x 1.5T Curved Washer (1 pc)

1. Unravel the Computer Cable (29) and pull the twist tie wire through the Console Mast Cover (38) (see illustration for the correct orientation of the cover) and the Console Mast (2) until the cable connector comes out the top opening of the Console Mast.
2. Attach the Console Mast (2) onto the Main Frame (1) with the seven Hex Head bolts (51). Place six Flat Washers (72) on the side bolts and one Curved Washer (99) on the front bolt. Tighten using the 12/14mm Wrench (100).

3 HANDLEBAR



HARDWARE STEP 3

- #51. 5/16" x 5/8" Hex Head Bolt (2 pcs)
- #72. 5/16" x 18mm x 1.5T Flat Washer (2 pcs)
- #103. 5/16" x 1.5T Split Washer (2 pc)

1. Insert the two hand pulse cables (26) through the opening of the handlebar mounting bracket on the front side of the console mast tube (2). Pull the cables through the opening of the console mounting bracket at the rear of the console mast tube
2. Attach the Handle Bar (3) to the Front Console Mast (2) with the two Hex Head bolts (51), two Flat Washers (72) and two Split Washers (103). Tighten using the 12/14mm Wrench (100). Be careful not to pinch the cables when fastening. Install part (105) handlebar cover on the handlebar.

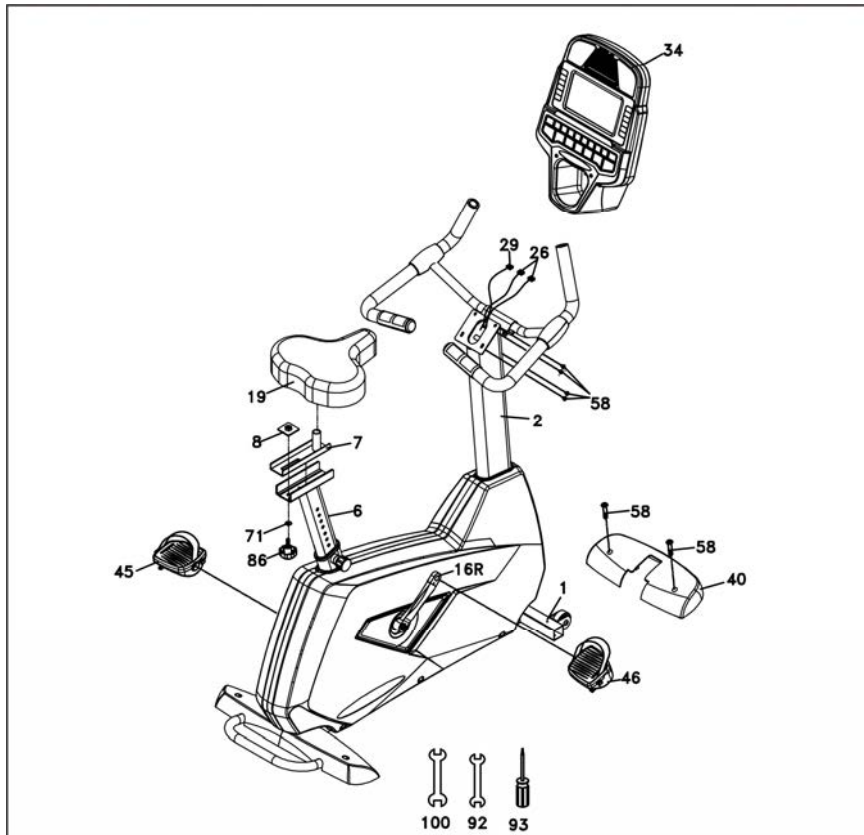
4 PLASTIC PARTS

HARDWARE STEP 4

- #58. M5 x 12mm Phillips Head Screw (6 pcs)

1. Insert the Computer Cable (29) and two Hand pulse cables (26) into the connectors in the back of the Console (34).
2. Attach the Console (34) onto the Console Mast (2) with four Phillips Head Screws (58). Be careful not to pinch the cables when fastening.
3. Attach the Front Stabilizer Cover (40) to the Main Frame (1) with two Phillips Head Screws (58). Tighten with the Phillips Head Screw Driver (93).
4. Install the Pedals (45 L, 46 R) onto the Cranks by using the 13/15mm Wrench (92). Remember that the left pedal has a reverse thread and will be screwed into the crank in the opposite rotation from normal threads. There is an L stamped into the end of the threaded post of the left pedal and an R on the end of the right post. Make sure to tighten the pedals as much as you possibly can. It may be necessary to re-tighten the pedals if you feel a thumping while pedaling the bike. A clicking noise or thumping feeling is usually caused by loose pedals.
5. Install the Seat mount slide (7) onto the track on top of the seat tube with the seat post facing forward. Place the nut plate (8) onto the seat slide behind the seat post. Place the flat washer (71) onto the seat adjustment knob (86) and thread it into the nut plate from underneath the seat tube track. Attach the seat (19) to the seat post using the 12/14mm Wrench (100).

4 ASSEMBLY STEP 4



FITNESS BIKE FEATURES

FOOT PEDALS

Through research performed with a leading sports scientist and physical rehabilitation expert, engineering has developed a breakthrough in pedal design. Typical stationary exercise bikes are wider than a normal road bike. The reason is to allow for the braking mechanism, pulleys, drive components and plastic covers. Since the bike is wider, so is the distance between the pedals; this width between the pedals is called the Q factor.

It has designed our pedal system so the Q factor is the smallest in the industry, but we did not stop there. We have also custom designed and tooled a new pedal that provides a two degree inward tilt to compensate for the Q factor not being perfect. Having a small Q factor in addition to the two-degree inward tilt of the pedals puts the user into a biomechanical neutral alignment. This means that your feet, ankles, knees and hips are lined up properly ensuring a comfortable workout.

SEAT ADJUSTMENT

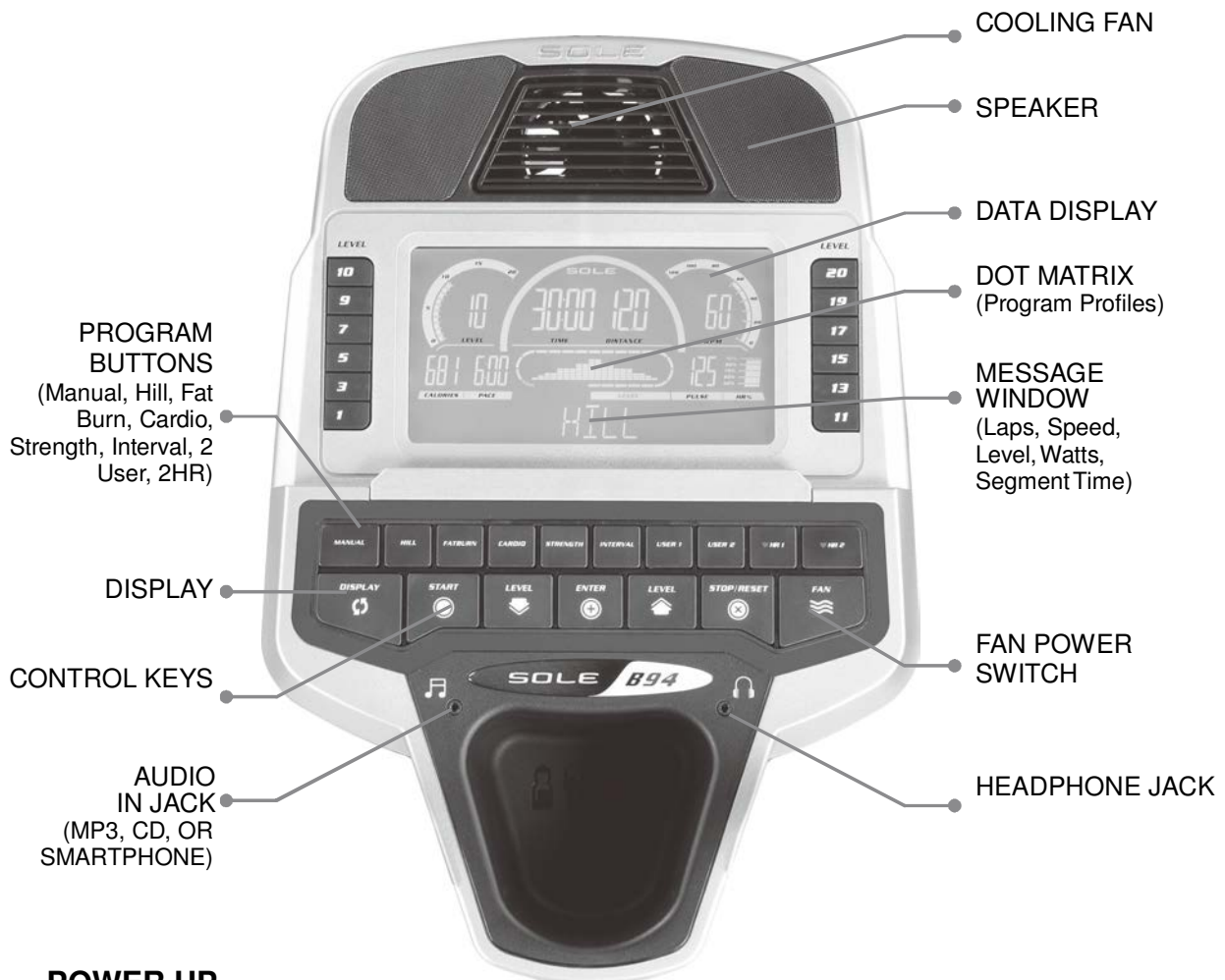
You are able to adjust the seat position while seated. Pull up on the lever located in front of the seat and slide the carriage forward or backwards. The correct position is when there is a slight bend in your knee when the pedal is at its farthest position forward (3 o'clock position when looking from the right side of the bike). Release the lever and you are ready to begin.

PEDAL STRAP ADJUSTMENT

Adjust each pedal strap so that they are snug around your feet. You have the option of adjusting the hole location on one or both sides of the pedal.

OPERATION OF YOUR FITNESS BIKE

GETTING FAMILIAR WITH THE CONTROL PANEL



POWER UP

When power is connected to the fitness bike the console will automatically power up. These models operate on 12V/1.5A DC which is supplied by the power pack that is connected to AC power. There is a power switch located where the line cord plugs into the unit on the front of the bike .

When it is first powered on, the console will perform an internal self-test. During this time all the lights will turn on. When the lights go off, the **Message Window** will show a software version (i.e.: VER 1.0) and the **Distance** window will display an odometer reading. The odometer reading displays how many virtual miles the fitness bike has gone. The **Time** window displays how many hours the fitness bike has been used.

The odometer and time will remain displayed for only a few seconds then the console will go to the start-up display. The dot matrix display will be scrolling through the different workout profiles and the **Message Window** will scroll the start-up message. You may now begin to use the console.

CONSOLE OPERATION

QUICK START

This is the quickest way to start a workout. After the console powers up you just press the **Start** key to begin, this will initiate the Quick Start mode. In Quick Start the time will count up from zero and the workload/resistance may be adjusted manually by pressing the **Level ▲/▼** buttons. The dot matrix display will be showing a track with a blinking dot indicating your progress as it travels around the track.



BASIC INFORMATION

The **Message Window** will initially display **Laps** completed. Each time the **Display** button is pressed the next set of information will appear. The order of information displayed will be: **Speed, Level, Watts, Segment Time** and **Data Scan** mode. In **Data Scan** mode, the displayed information will change every 4 seconds in the **Message Window**.

The fitness bike has a built in heart rate monitoring system. Simply grasping the **Contact Heart Rate Sensors** on the handle bars or wearing the chest strap transmitter will start the heart (see Heart Rate Programs) Icon blinking (this may take a few seconds). The **Pulse Window** will display your heart rate in beats per minute and the HR bar graph will show your current % in relation to projected heart rate maximum. The chest strap is a more accurate and reliable method of heart rate reading. The hand pulse sensors are subject to false readings depending on user physiology and workout habits including how one grips the sensors or how sweaty their hands are.

The **Stop** button actually has several functions. Pressing the **Stop** key once during a program will **Pause** the program for 5 minutes. If you need to get a drink, answer the phone or any of the many things that could interrupt your workout, this is a great feature. To resume your workout during **Pause** just press the **Start** key. If the **Stop** button is pressed twice during a workout the program will end and a **Workout Summary** is displayed.



If the **Stop/Reset** key is held down for 3 seconds the console will perform a complete **Reset**. During data entry for a program the **Stop/Reset** key performs a **Previous Screen** function. This allows you to go back one step in the programming each time you press the **Stop** key.

There is an **Audio In Jack** (🎵) on the front of the console and built-in speakers. You may plug any low-level audio source signal into this port. Audio sources include MP3, iPod, portable radio, CD player or even a TV or computer audio signal. There is also a **Headphone Jack** (🎧) for private listening.

PROGRAMMING THE CONSOLE

Each of the programs can be customized with your personal information and changed to suit your needs. Some of the information asked for is necessary to ensure the readouts are correct. You will be asked for your **Age** and **Weight**. Entering your **Age** is necessary during the Heart Rate control program to ensure the correct settings are entered in the program; entering your **Weight** aides in calculating a more correct **Calorie** reading. Although we cannot provide an exact calorie count we do want to be as close as possible.

A message about Calories: Calorie readings on every piece of exercise equipment, whether it is in a gym or at home, are not accurate and tend to vary widely. They are meant only as a guide to monitor your progress from workout to workout. The only way to measure your calorie burn accurately as in a clinical setting connected to a host of machines. This is because every person is different and burns calories at a different rate.

ENTERING A PROGRAM AND CHANGING SETTINGS

Press each program button to scroll through the program selections. The profile for each program will be displayed in the dot matrix window. Press the **Enter** key to select a program and begin customizing the settings. If you want to workout without entering new settings, then just press the **Start** key. This will bypass the programming of data and take you directly to the start of your workout. If you want to change the personal settings, then just follow the instructions in the **Message Window**. If you start a program without changing the settings, the default settings will be used.

Note: Age and Weight default settings will change when you enter a new number. So the last Age and Weight entered will be saved as the new default settings. If you enter Age and Weight the first time you use the fitness bike you will not have to enter it every time you work out unless either Age or Weight has changed or someone else enters a different Age and Weight.

PROGRAMMABLE FEATURES



MANUAL PROGRAM

The Manual program works as the name implies, manually. This means that you control the workload yourself and not the computer.

1. Press the **Manual** program button then press the **Enter** key.
2. The **Message Window** will ask you to enter your **Age**. You may adjust the age setting using the **Level ▲/▼** keys, then press the **Enter** key to accept the new number and proceed on to the next screen.
3. You are now asked to enter your **Weight**. You may adjust your weight setting using the **Level ▲/▼** keys, then press **Enter** to continue.
4. Next is the **Time**. You may adjust the length of **Time** by pressing the **Level ▲/▼** keys, then press **Enter** to continue.
5. Now you are finished editing the settings and can begin your workout by pressing the **Start** key. You can also go back and modify your settings by pressing the **Stop** key to go back one level of the programming screen.
6. Once the program starts the fitness bike will be set to level one. This is the easiest level and it is a good idea to stay at level one for a while to warm up. If you want to increase the work load at any time press the **Level ▲**key; the **Level ▼** key will decrease the workload.
7. During the Manual program you will be able to scroll through the data in the **Message Window** by pressing the **Display** key.
8. When the program ends the **Message Window** will show a summary of your workout. The summary will be displayed for a short time then the console will return to the start- up display.

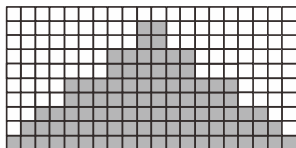
PRESET PROGRAMS

The fitness bike has five different programs that have been designed for a variety of workouts. These five programs have factory preset work level profiles for achieving different goals.

Hill

The **Hill** program simulates going up and down a hill. The resistance in the pedals will steadily increase and then decrease during the program.

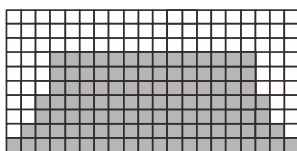
WORK



Fat Burn

The **Fat Burn** program is designed, as the name implies, to maximize the burning of fat. There are many schools of thought on the best way to burn fat but most experts agree that a lower exertion level that stays at a steady workload is the best. The absolute best way to burn fat is to keep your heart rate at around 60% to 70% of its maximum potential. This program does not use heart rate but simulates a lower, steady exertion workout.

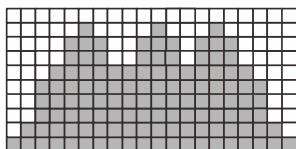
WORK



Cardio

The **Cardio** program is designed to increase your cardiovascular function and endurance. This is exercise for your heart and lungs. It will build up your heart muscle and increase blood flow and lung capacity. This is achieved by incorporating a higher level of exertion with slight fluctuations in work.

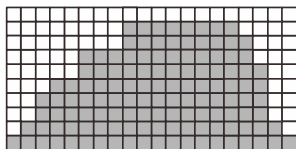
WORK



Strength

The **Strength** program is designed to increase muscular strength in your lower body. This program will steadily increase in resistance to a high level and forces you to sustain it. This is designed to strengthen and tone your legs and glutes (muscles of the butt).

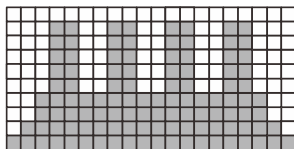
WORK



Interval

The **Interval** program takes you through high levels of intensity followed by periods of low intensity. This program increases your endurance by depleting your oxygen level followed by periods of recovery to replenish oxygen. Your cardiovascular system gets programmed to use oxygen more efficiently this way. This program also forces your body to become more efficient due to spikes in heart rate, between recovery periods. This aids in heart rate recovery from intense activities.

WORK



PROGRAMMING PRESET BUTTONS

1. Press the desired program button then press the **Enter** key.
2. The **Message Window** will ask you to enter your **Age**. You may adjust the age setting, using the **Level ▲/▼** keys, then press the **Enter** key to accept the new number and proceed on to the next screen.
3. You are now asked to enter your **Weight**. You may adjust the weight number using the **Level ▲/▼** keys then press **Enter** to continue.
4. Next is **Time**. You may adjust the **Time** and press **Enter** to continue.
5. Now you are asked to adjust the **Max Level**. This is the peak exertion level you will experience during the program (the highest colored segment/box of the program profile). Adjust the level and then press **Enter**.
6. Now you are finished editing the settings and can begin your workout by pressing the **Start** key. You can also go back and modify your settings by pressing the **Stop** key to go back one level, or screen.
7. During the program you will be able to scroll through the data in the **Message Window** by pressing the **Display** key.
8. When the program ends the **Message Window** will show a summary of your workout. The summary will be displayed for a short time then the console will return to the start-up display.



CUSTOM USER DEFINED PROGRAMS

The customizable User programs allow you to build and save your own workout. You can build your own custom program by following the instructions below.

1. Select the **User** program (**User 1** or **User 2**) then press **Enter**. If you have already saved a program to either **User 1** or **User 2**, it will be displayed and you are ready to begin. If not, you will have the option of inputting a username. In the **Message Window**, the letter "A" will be blinking. Use the **Level** buttons to select the appropriate first letter of your name (pressing the Up button will switch to the letter "B"; pressing the Down button will switch to letter "Z"). Press **Enter** when the desired letter is displayed. Repeat this process until all of the characters of your name have been programmed (maximum 7 characters). When finished press **Stop**.
2. If there is a program already stored in **User** when you press the key, you will have an option to run the program as it is or delete the program and build a new one. At the welcome message screen, when pressing **Start** or **Enter** you will be prompted: Run Program? Use the **Level ▲/▼** to select Yes or No. If you select No, you will then be asked if you want to delete the currently saved program. It is necessary to delete the current program if you want to build a new one.
3. The **Message Window** will ask you to enter your **Age**. You may enter your age using the **Level ▲/▼** keys, then press the **Enter** key to accept the new number and proceed on to the next screen.
4. You are now asked to enter your **Weight**. You may adjust the weight number using the **Level ▲/▼** keys, then press **Enter** to continue.
5. Next is **Time**. You may adjust the **Time** using the **Level ▲/▼** keys and press **Enter** to continue.
6. Now the first column will be blinking and you are asked to adjust the level for the first segment of the workout. When you finish adjusting the first segment, or if you don't want to change, then press **Enter** to continue to the next segment. The next segment will show the same level as the previously adjusted segment. Repeat the same process as the last segment then press **Enter**. Continue this process until all twenty segments have been set.
7. The **Message Window** will then tell you to start to begin (and save the program) or **Enter** to modify the program. Pressing **Stop** will exit to the start up screen.
8. If you want to increase or decrease the workload at any time during the program press the **Level ▲/▼** key. This will only affect the **Level** for the present column in the profile. When the profile changes to the next column it will return to the preset work level.
9. During the **User 1** or **User 2** program you will be able to scroll through the data in the **Message Window** by pressing the **Display** key.
10. When the program ends the **Message Window** will show a summary of your workout. The summary will be displayed for a short time then the console will return to the start-up display.

HEART RATE PROGRAMS

Before we get started, a word about Heart Rate:

The old motto, “no pain, no gain”, is a myth that has been overpowered by the benefits of exercising comfortably. A great deal of this success has been promoted by the use of heart rate monitors. With the proper use of a heart rate monitor, many people find that their usual choice of exercise intensity was either too high or too low and exercise is much more enjoyable by maintaining their heart rate in the desired benefit range.

To determine the benefit range in which you wish to train, you must first determine your Maximum Heart Rate. This can be accomplished by using the following formula: 220 minus your age. This will give you the Maximum Heart Rate (MHR) for someone of your age. To determine the effective heart rate range for specific goals you simply calculate a percentage your MHR. Your Heart rate training zone is 50% to 90% of your maximum heart rate. 60% of your MHR is the zone that burns fat while 80% is for strengthening the cardio vascular system. This 60% to 80% is the zone to stay in for maximum benefit.

For someone who is 40 years old their target heart rate zone is calculated:

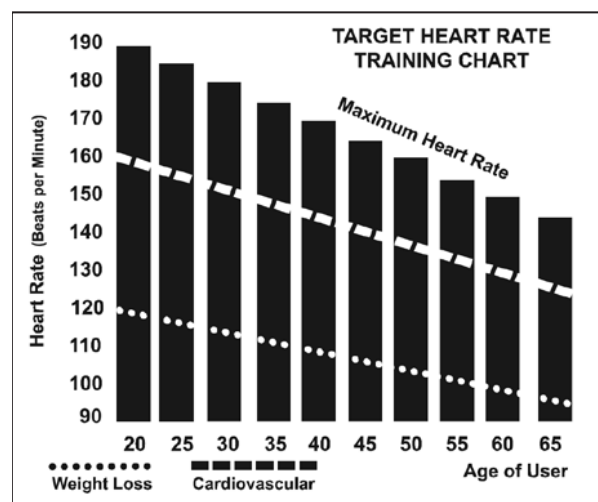
$$220 - 40 = 180 \text{ (maximum heart rate)}$$

$$180 \times .6 = 108 \text{ beats per minute} \\ \text{(60\% of maximum)}$$

$$180 \times .8 = 144 \text{ beats per minute} \\ \text{(80\% of maximum)}$$

So for a 40 year old the training zone would be

108 to 144 beats per minute.



If you enter your age during programming the console will perform this calculation automatically. Entering your age is used for the Heart Rate programs. After calculating your MHR you can decide upon which goal you would like to pursue.

The two most popular reasons for, or goals, of exercise are cardiovascular fitness (training for the heart and lungs) and weight control. The black columns on the chart above represent the MHR for a person whose age is listed at the bottom of each column. The training heart rate, for either cardiovascular fitness or weight loss, is represented by two different lines that cut diagonally through the chart. A definition of the lines' goal is in the bottom left-hand corner of the chart. If your goal is cardiovascular fitness or if it is weight loss, it can be achieved by training at 80% or 60%, respectively, of your MHR on a schedule approved by your physician. Consult your physician before participating in any exercise program.

RATE OF PERCEIVED EXERTION

Heart rate is important but listening to your body also has a lot of advantages. There are more variables involved in how hard you should workout than just heart rate. Your stress level, physical health, emotional health, temperature, humidity, the time of day, the last time you ate and what you ate, all contribute to the intensity at which you should workout. If you listen to your body, it will tell you all of these things.

The rate of perceived exertion (RPE), also know as the Borg scale, was developed by Swedish physiologist G.A.V. Borg. This scale rates exercise intensity from 6 to 20 depending upon how you feel or the perception of your effort.

The scale is as follows:

Rating Perception of Effort

- 6 Minimal
- 7 Very, very light
- 8 Very, very light +
- 9 Very light
- 10 Very light +
- 11 Fairly light
- 12 Comfortable
- 13 Somewhat hard
- 14 Somewhat hard +
- 15 Hard
- 16 Hard +
- 17 Very hard
- 18 Very hard +
- 19 Very, very hard
- 20 Maximal

You can get an approximate heart rate level for each rating by simply adding a zero to each rating. For example a rating of 12 will result in an approximate heart rate of 120 beats per minute. Your RPE will vary depending up the factors discussed earlier. That is the major benefit of this type of training. If your body is strong and rested, you will feel strong and your pace will feel easier. When your body is in this condition, you are able to train harder and the RPE will support this. If you are feeling tired and sluggish, it is because your body needs a break. In this condition, your pace will feel harder. Again, this will show up in your RPE and you will train at the proper level for that day.

USING HEART RATE TRANSMITTER (Optional)

How to wear your wireless chest strap transmitter:

1. Attach the transmitter to the elastic strap using the locking parts.
2. Adjust the strap as tightly as possible as long as the strap is not too tight to remain comfortable.
3. Position the transmitter with the centered in the middle of your body facing away from your chest (some people must position the transmitter slightly left of center). Attach the final end of the elastic strap by inserting the round end and, using the locking parts, secure the transmitter and strap around your chest.
4. Position the transmitter immediately below the pectoral muscles.
5. Sweat is the best conductor to measure very minute heart beat electrical signals. However, plain water can also be used to pre-wet the electrodes (2 ribbed oval areas on the reverse side of the belt and both sides of the transmitter). It's also recommended that you wear the transmitter strap a few minutes before your work out. Some users, because of body chemistry, have a more difficult time in achieving a strong, steady signal at the beginning. After "warming up", this problem lessens. As noted, wearing clothing over the transmitter/strap doesn't affect performance.
6. Your workout must be within range - distance between transmitter/receiver – to achieve a strong steady signal. The length of range may vary somewhat but generally stay close enough to the console to maintain good, strong, reliable readings. Wearing the transmitter immediately against bare skin assures you of proper operation. If you wish, you may wear the transmitter over a shirt. To do so, moisten the areas of the shirt that the electrodes will rest upon.



Note: The transmitter is automatically activated when it detects activity from the user's heart. Additionally, it automatically deactivates when it does not receive any activity. Although the transmitter is water resistant, moisture can have the effect of creating false signals, so you should take precautions to completely dry the transmitter after use to prolong battery life (estimated transmitter battery life is 2500 hours). The replacement battery is Panasonic CR2032.

ERRATIC OPERATION

Caution! Do not use this treadmill for Heart Rate unless a steady, solid Actual Heart Rate value is being displayed. High, wild, random numbers being displayed indicate a problem.

Areas to look for interference which may cause erratic heart rate:

1. Microwave ovens, TV's, small appliances, etc.
2. Fluorescent lights.
3. Some household security systems.
4. Perimeter fence for a pet.
5. Some people have problems with the transmitter picking up a signal from their skin. If you have problems try wearing the transmitter upside down. Normally the transmitter will be oriented so the is right side up.
6. The antenna that picks up your heart rate is very sensitive. If there is an outside noise source, turning the whole machine 90 degrees may de-tune the interference.
7. Loose treadmill console or bolts in the upright tube.
8. Another Individual wearing a transmitter within 3' of your machine's console.

If you continue to experience problems contact your dealer.

WARNING! - DO NOT USE THE HEART RATE PROGRAM IF YOUR HEART RATE IS NOT REGISTERING PROPERLY ON THE CYCLE'S DISPLAY!

HEART RATE CONTROL PROGRAM OPERATION

Both programs operate the same, the only difference is that **HR1** is set to 60% and **HR2** is set to 80% of the maximum heart rate. They both are programmed the same way.

To start an **HRC** program follow the instructions below or just select the **HR1** or **HR2** program, then the **Enter** button and follow the directions in the **Message Window**.

1. Press the **HR1** or **HR2** key then press the **Enter** key.
2. The **Message Window** will ask you to enter your **Age**. You may enter your **Age**, using the **▲/▼** keys, then press the **Enter** key to accept the new number and proceed on to the next screen.
3. You are now asked to enter your **Weight**. You may adjust the **Weight** number using the **▲/▼** keys, then press **Enter** to continue.
4. Next is **Time**. You may adjust the **Time** and press **Enter** to continue.
5. Now you are asked to adjust your **Target Heart Rate**. This is the heart rate level you will strive to reach and maintain during the program. Adjust the level and then press **Enter**. **NOTE: The heart rate that appears is based on the % you accepted in Step 2. If you change this number it will either increase or decrease the % from Step 2.**
6. Now you are finished editing the settings and can begin your workout by pressing the **Start** key. You can also go back and modify your settings by pressing the **Enter** key. **NOTE: At any time during the editing of Data you can press the **Stop** key to go back one level, or screen.**
7. If you want to increase or decrease the workload at any time during the program press the **▲/▼** key. This will allow you to change your target heart rate at any time during the program.
8. During the **HR1** or **HR2** programs you will be able to scroll through the data in the **Message Window** by pressing the adjacent **Display** key.
9. When the program ends you may press **Start** to begin the same program again or **Stop** to exit the program.

GENERAL MAINTENANCE

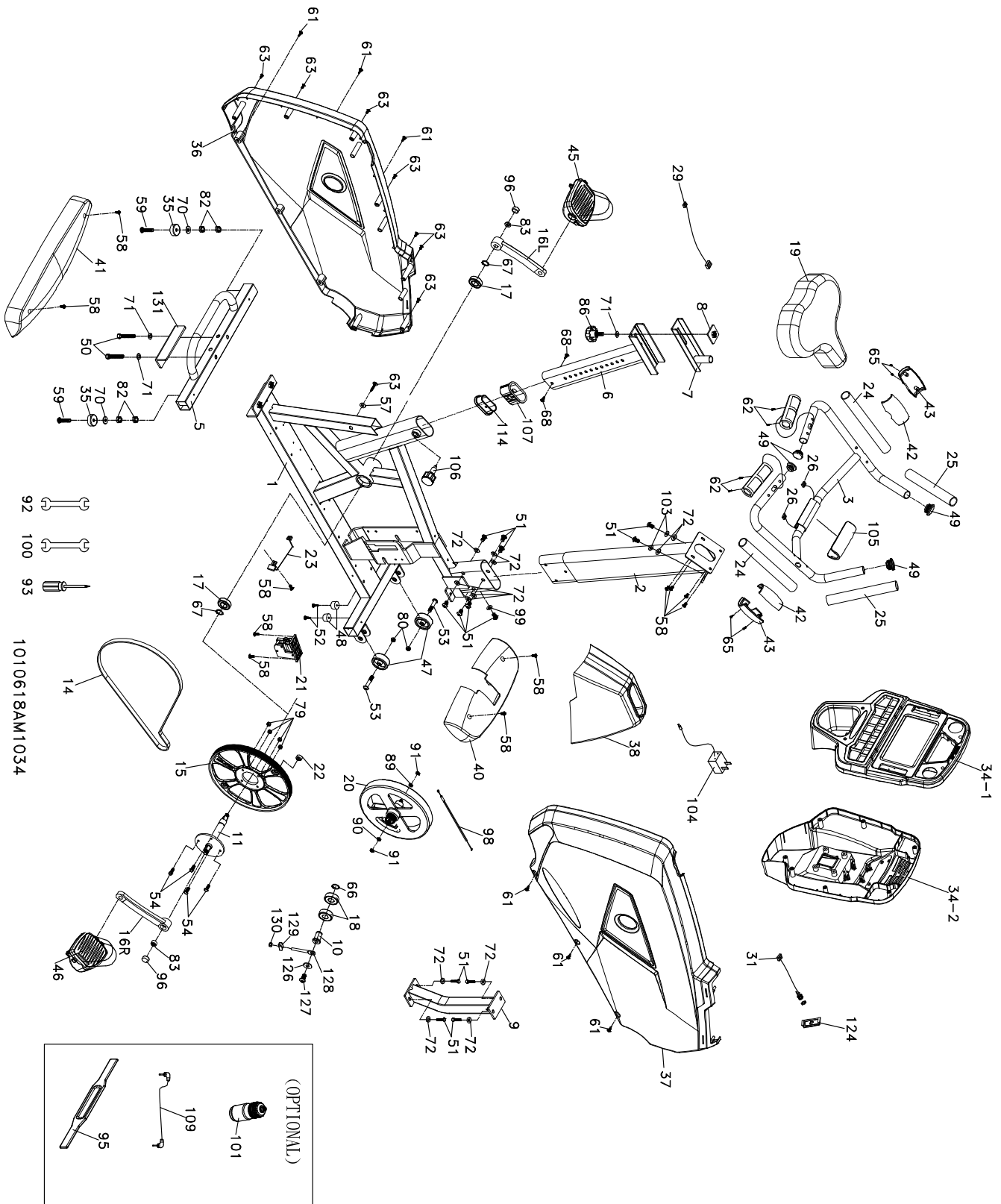
1. Wipe down all areas in the sweat path with a damp cloth after each workout.
2. If a squeak, thump, clicking or rough feeling develops the main cause is most likely one of two reasons:
 - I. The hardware was not sufficiently tightened during assembly. All bolts that were installed during assembly need to be tightened as much as possible. It may be necessary to use a larger wrench than the one provided if you cannot tighten the bolts sufficiently. Ninety percent of calls to the service department for noise issues can be traced to loose hardware.
 - II. The crank arm nut needs to be retightened
 - III. If squeaks or other noises persist, check that the unit is properly leveled. There are 2 leveling pads on the bottom of the rear stabilizer, use a 14mm wrench (or adjustable wrench) to adjust the levelers.

MAINTENANCE MENU IN CONSOLE SOFTWARE

The console has built in maintenance/diagnostic software. The software will allow you to change the console settings from English to Metric and turn off the beeping of the speaker when a key is pressed for example. To enter the Maintenance Menu (may be called Engineering mode, depending on version) press and hold down the **Start**, **Stop** and **Enter** keys Keep holding the keys down for about 5 seconds and the **Message Window** will display "Engineering mode". Press the **Enter** button to access the menu below. Press the **Level ▲/▼** keys to navigate the menu.

- A. **Key Test**
- B. **Display Test**
- C. **Functions**
 - I. **ODO Reset** - Resets the odometer reading to zero
 - II. **Units** - Choose from English(Imperial) or Metric display readings
 - III. **Display Mode** - Turn off to have the console power down automatically after 30 minutes of inactivity
 - IV. **Motor Test** - Continually runs the tensioning gear motor
 - V. **Manual** - Allows stepping of the gear motor
 - VI. **Pause Mode** - Turn on to allow 5 minutes of pause, turn off to have console pause indefinitely
 - VII. **Key Tone** - Turn on or off the beep sound when a key is pressed
- D. **Security**
- E. **Factory Settings** - For Factory use only
- F. **Exit**

EXPLODED VIEW DIAGRAM



1010618AM1034

PARTS LIST

KEY NO.	PART NO.	Description	Q'TY
1	6739401	Main Frame	1
2	6739402	Console Mast	1
3	6739403	Seat Handle Bar	1
5	6739405	Rear Stabilizer	1
6	6739406	Seat Slider	1
7	6739407	Sliding Seat Mount	1
8	6739408	Fix Plate	1
9	6739409	Front Linkage Assembly	1
10	6739410	Bearing Housing	1
11	6739411	Crank Axle	1
14	6739414	Drive Belt	1
15	6739415	Drive Pulley	1
16L	6739416L	Crank Arm(L)	1
16R	6739416R	Crank Arm(R)	1
17	6739417	6004 Bearing	2
18	6739418	6203 Bearing	2
19	6739419	Seat	1
20	6739420	Flywheel	1
21	6739421	Gear Motor	1
22	6739422	Magnet	1
23	6739423	500m/m Sensor W/Cable	1
24	6739424	1" x 5T x 285m/m Handgrip Foam	2
25	6739425	1" x 5T x 200m/m Handgrip Foam	2
26	6739426	800m/m Handpulse W/Cable Assembly	2
29	6739429	1300m/m Computer Cable	1
31	6739431	750m/m DC Power Cord	1
34	6739434	Console assembly	1
35	6739435	Rubber Foot	2
36	6739436	Chain Cover (L)	1
37	6739437	Chain Cover (R)	1
38	6739438	Console Mast Cover	1
40	6739440	Front Stabilizer Cover	1
41	6739441	Rear Stabilizer Cover	1
42	6739442	Handgrip Side Cap (Top)	2
43	6739443	Handgrip Side Cap (Bottom)	2
45	6739445	Pedal (L)	1
46	6739446	Pedal (R)	1
47	6739447	Transportation Wheel	2
48	6739448	Rubber Foot Pad	2
49	6739449	Button Head Plug	4
50	6739450	3/8" x 2-1/4" Hex Head Bolt	2
51	6739451	5/16" x 5/8" Hex Head Bolt	13
52	6739452	5 x 19m/m Tapping Screw	2
53	6739453	5/16" x 1-3/4" Button Head Socket Bolt	2
54	6739454	1/4" x 3/4" Hex Head Bolt	4
57	6739457	3/16" x 15mm x 1.5T Flat Washer	1
58	6739458	M5 x 12m/m Phillips Head Screw	11
59	6739459	3/8" x 2m/m Flat Head Socket Bolt	2
61	6739461	5 x 16m/m Tapping Screw	6

KEY NO.	PART NO.	Description	Q'TY
62	6739462	Ø3 × 20m/m Tapping Screw	4
63	6739463	Ø3.5 × 16m/m Sheet Metal Screw	8
65	6739465	Ø3 × 10m/m Tapping Screw	4
66	6739466	Ø17 C Ring	1
67	6739467	Ø20 C Ring	2
68	6739468	4 × 12m/m Sheet Metal Screw	2
70	6739470	3/8" × 19mm × 1.5T Flat Washer	2
71	6739471	3/8" × 25mm × 2T Flat Washer	3
72	6739472	5/16" × 18mm × 1.5T Flat Washer	12
79	6739479	1/4" × 8T Nyloc Nut	4
80	6739480	5/16" × 6T Nyloc Nut	2
82	6739482	3/8" × 7T Nut	4
83	6739483	M10 × 1.25m/m Nut	2
86	6739486	Seat Adjustment Knob	1
89	6739489	3/8"-UNF26 × 3T Nut	1
90	6739490	3/8"-UNF26 × 4T Nut	1
91	6739491	3/8"-UNF26 Nut	2
92	6739492	13/15m/m Wrench	1
93	6739493	Phillips Head Screw Driver	1
95	6739495	Chest Strap (Optional)	1
96	6739496	Crank Arm End Cap	2
98	6739498	Steel Cable	1
99	6739499	5/16" × 19 × 1.5T Curved Washer	1
100	67394100	12/14m/m Wrench	1
101	67394101	Drink Bottle (Optional)	1
103	67394103	5/16" × 1.5T Split Washer	2
104	67394104	Power Adaptor	1
105	67394105	Handle Bar Cover	1
106	67394106	Locking Knob	1
107	67394107	Center spatial wrap	1
109	67394109	400m/m Audio Cable (Optional)	1
114	67394114	Slide Spacer	1
124	67394124	On/Off Switch Bracket	1
126	67394126	3/8" × 25.4mm × 3T Flat Washer	1
127	67394127	M10 × P1.25 × 15L Button Head Socket Bolt	1
128	67394128	1/4" × 70L Idle Wheel Screw	1
129	67394129	M6 Nut Stopper	1
130	67394130	1/4" × 8T Nyloc Nut	1
131	67394131	Rear Stabilizer Attaching Plate	1

MANUFACTURER'S LIMITED WARRANTY

Dyaco Canada Inc. warrants all its fitness bike parts for a period of time listed below from the date of retail sale, as determined by sale receipt, or in the absence of a sales receipt eighteen (18) months from the original factory shipping date. Dyaco Canada Inc.'s responsibilities include providing new or remanufactured parts, at Dyaco Canada Inc.'s option, and technical support to our independent dealers and servicing organizations. In the absence of a dealer or service organization, these warranties will be administered by Dyaco Canada Inc. directly to a consumer. The warranty period applies to the following components:

Frame	lifetime
Parts	3 years
Labour	1 year

This warranty applies only to products in ordinary household use, and the consumer is responsible for the items listed below:

1. The warranty registration card must be completed and returned to the address listed on the card within 10 days of the original purchase to validate the Dyaco Canada Inc.'s limited warranty.
2. Proper use of the fitness bike in accordance with the instructions provided in this manual.
3. Proper installation in accordance with instructions provided with the fitness bike and with all local electric codes.
4. Proper connection to a grounded power supply of sufficient voltage, replacement of blown fuses, repair of loose connections or defects in house wiring.
5. Expenses for making the fitness bike accessible for servicing, including any item that was not part of the fitness bike at the time it was shipped from the factory.
6. Damages to the fitness bike finish during shipping, installation or following installation.
7. Routine maintenance of this unit as specified in this manual.

EXCLUSIONS

This warranty does not cover the following:

1. CONSEQUENTIAL, COLLATERAL, OR INCIDENTAL DAMAGES SUCH AS PROPERTY DAMAGE AND INCIDENTAL EXPENSES RESULTING FROM ANY BREACH OF THIS WRITTEN OR ANY IMPLIED WARRANTY.
Note: Some states do not allow the exclusion or limitation of incidental or consequential damages, so this limitation or exclusion may not apply to you.
2. Service call reimbursement to the consumer. Service call reimbursement to the dealer that does not involve malfunction or defects in workmanship or material, for units that are beyond the warranty period, for units that are beyond the service call reimbursement period, for fitness bike not requiring component replacement, or fitness bike not in ordinary household use.
3. Damages caused by services performed by persons other than authorized Dyaco Canada Inc. service companies; use of parts other than original Dyaco Canada Inc. parts; or external causes such as corrosion, discoloration of paint or plastic, alterations, modifications, abuse, misuse, accident, improper maintenance, inadequate power supply, or acts of God.
4. Products with original serial numbers that have been removed or altered.
5. Products that have been: sold, transferred, bartered, or given to a third party.
6. Products that do not have a warranty registration card on file at Dyaco Canada Inc. Dyaco Canada Inc. reserves the right to request proof of purchase if no warranty record exists for the product.
7. THIS WARRANTY IS EXPRESSLY IN LIEU OF ALL OTHER WARRANTIES EXPRESSED OR IMPLIED, INCLUDING THE WARRANTIES OF MERCHANTABILITY AND/OR FITNESS FOR A PARTICULAR PURPOSE.
8. Product use in any environment other than a residential setting.
9. Warranties outside of North America may vary. Please contact your local dealer for details.

SERVICE

by the serial number establishes the labor warranty period should service be required. If service is performed, it is in your best interest to obtain and keep all receipts. This written warranty gives you specific legal rights. You may also have other rights that vary from state to state. Service under this warranty must be obtained by following these steps, in order:

1. Contact your selling authorized SOLE dealer. OR
2. If you have any questions about your new product or questions about the warranty contact Dyaco Canada Inc. at 1-888-707-1880.
3. If no local service is available, Dyaco Canada Inc. will repair or replace the parts, at Dyaco Canada Inc.'s option, within the warranty period at no charge for parts. All transportation costs, both to our factory and upon return to the owner, are the responsibility of the owner. The owner is responsible for adequate packaging upon return to Dyaco Canada Inc. Dyaco Canada Inc. is not responsible for damages that occur during shipping. Make all freight damage claims with the appropriate freight carrier. DO NOT SHIP ANY UNIT TO OUR FACTORY WITHOUT A RETURN AUTHORIZATION NUMBER. All units arriving without a return authorization number will be refused.
4. For any further information, or to contact our service department by mail, send your correspondence to:

Dyaco Canada Inc.
6050 Don Murie Street
Niagara Falls, ON
L2G 0B3

Product features or specifications as described or illustrated are subject to change without notice. All warranties are made by Dyaco Canada Inc.