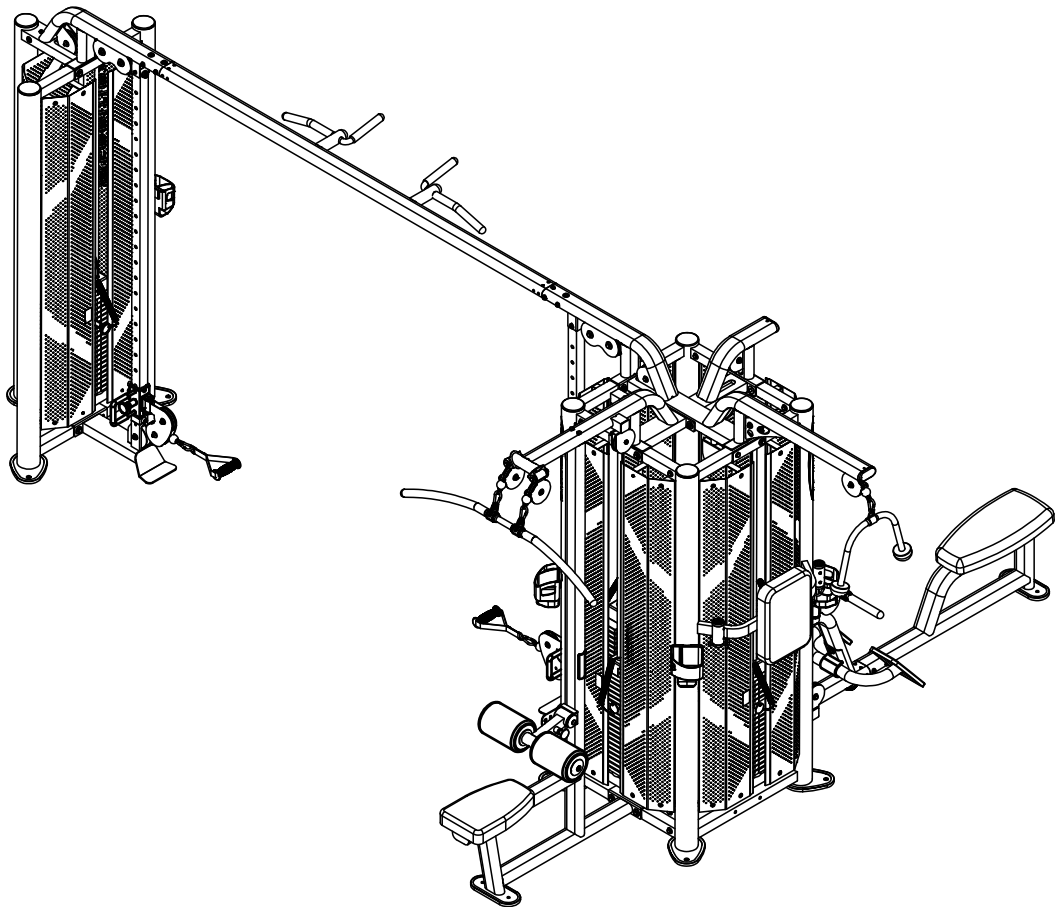


JUNGLE GYM



JOONG CHENN INDUSTRY CO., LTD.

Sales Office:

3F28, No.5, Shin-Yi Rd., Sec. 5, Taipei, Taiwan 110 R.O.C.

Tel: 886-2-27209980

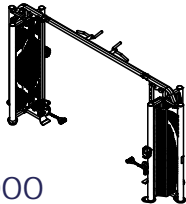
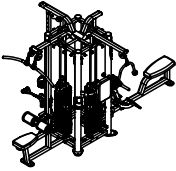
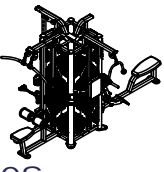
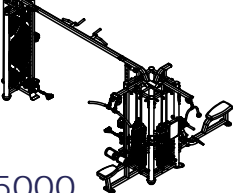
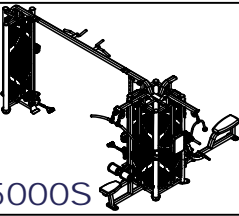
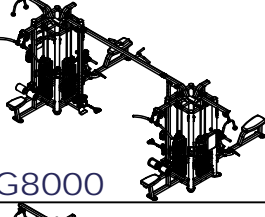
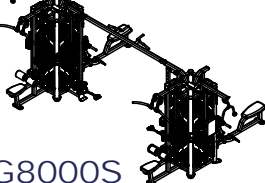
Fax: 886-2-27229750

www.steelflexfitness.com

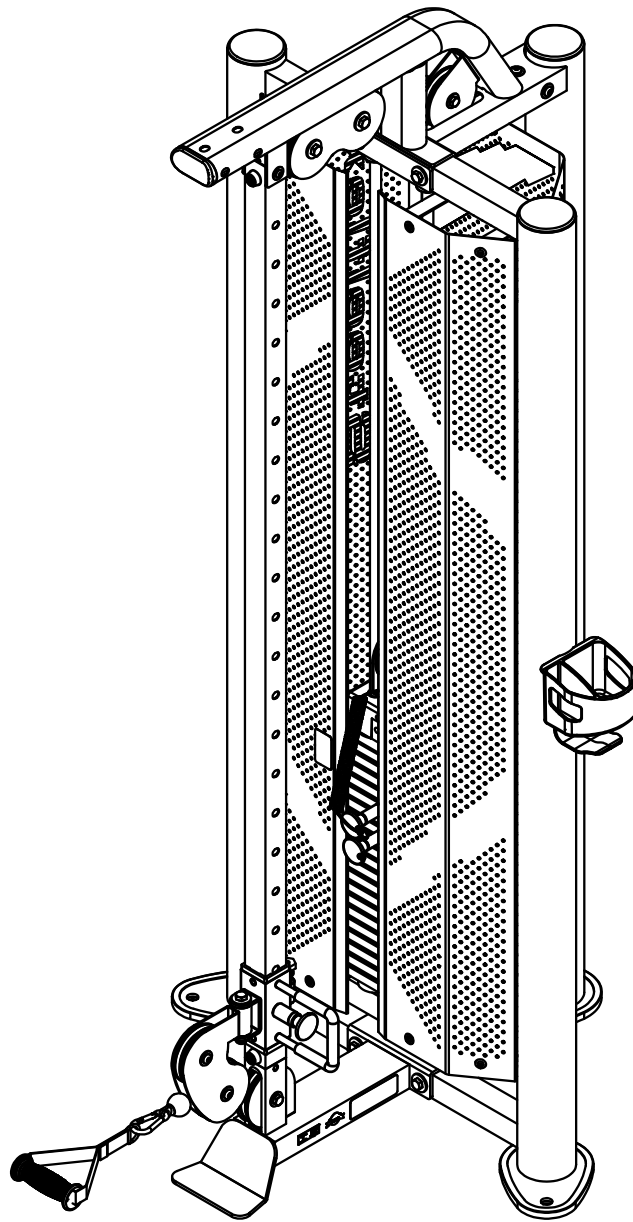
JG5000S OWNER'S MANUAL

JUNGLE GYM ASSEMBLY INSTRUCTIONS

JUNGLE GYM SERIES CONFIGURATION FORM

| | JG1000 | JG4000 | JG | JGC |
|---|--------|--------|----|-----|
|  | X2 | | ○ | |
| JG2000 | | | | |
|  | | ○ | | |
| JG4000 | | | | |
|  | | ○ | | ○ |
| JG4000S | | | | |
|  | ○ | ○ | ○ | |
| JG5000 | | | | |
|  | ○ | ○ | ○ | ○ |
| JG5000S | | | | |
|  | | X2 | ○ | |
| JG8000 | | | | |
|  | | X2 | ○ | X2 |
| JG8000S | | | | |

JUNGLE GYM



JOONG CHENN INDUSTRY CO., LTD.

Sales Office:

3F28, No.5, Shin-Yi Rd., Sec. 5, Taipei, Taiwan 110 R.O.C.

Tel: 886-2-27209980

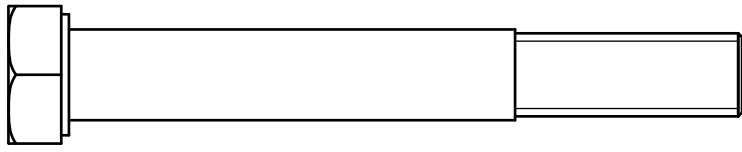
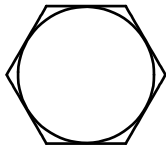
Fax: 886-2-27229750

www.steelflexfitness.com

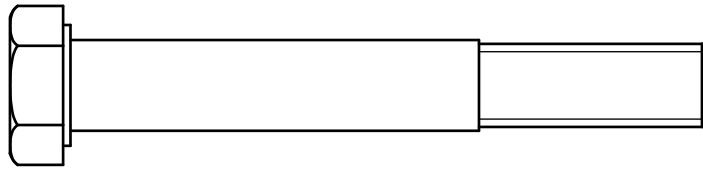
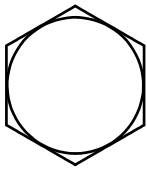
JG1000 OWNER'S MANUAL

JG1000 ASSEMBLY INSTRUCTIONS

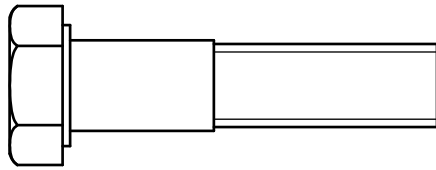
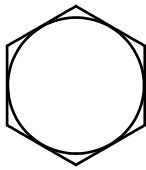
HARDWARE ILLUSTRATION



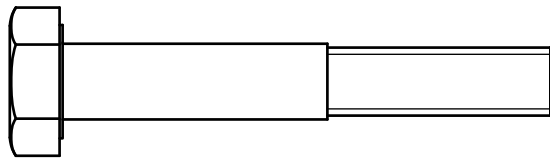
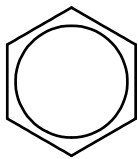
(A1)ROUND INNER HEX SCREW M12X90L PARTIAL THREAD QTY.1



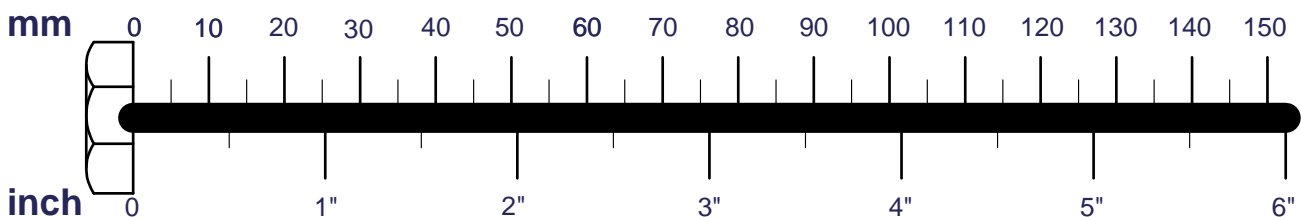
(A2)HEX BOLT M12X85L PARTIAL THREAD QTY.4



(A3)HEX BOLT M12X50L PARTIAL THREAD QTY.2

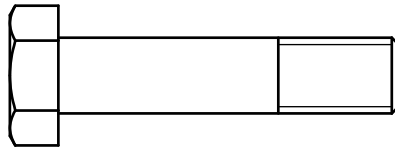
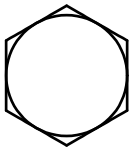


(A4)HEX BOLT M10X65L PARTIAL THREAD QTY.1

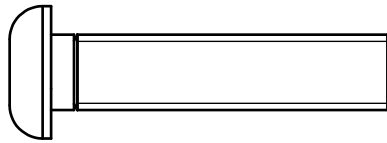
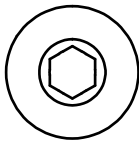


JG1000 ASSEMBLY INSTRUCTIONS

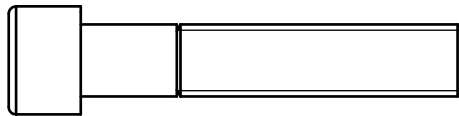
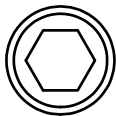
HARDWARE ILLUSTRATION



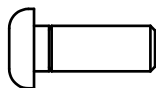
(A5)HEX BOLT M10X45L PARTIAL THREAD QTY.3



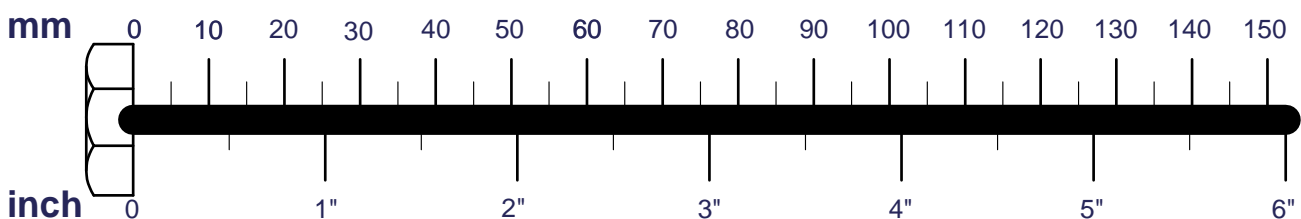
(A6)ROUND INNER HEX SCREW M10X45L PARTIAL THREAD QTY.2



(A7) ROUND ALLEN HEAD 3/8"x2"L PARTIAL QTY.1

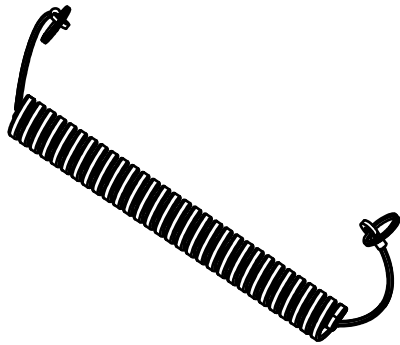


(A8)ROUND INNER HEX SCREW M6X16L PARTIAL THREAD QTY.16

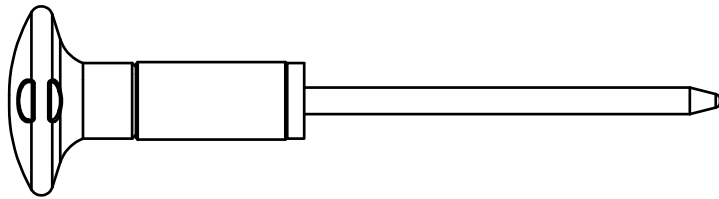


JG1000 ASSEMBLY INSTRUCTIONS

HARDWARE ILLUSTRATION



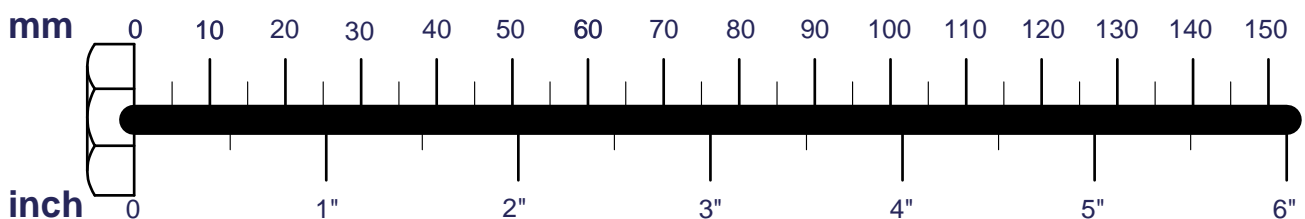
(A9)ELASTIC BELT QTY.1



(A10)20LB PIN(8250-162) QTY.1

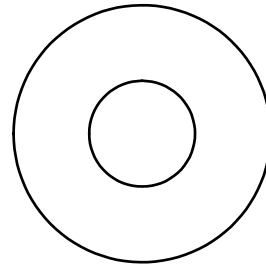
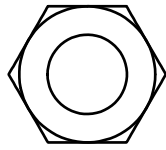


(A11) ROUND ALLEN HEAD M8X15L PARTIAL QTY.1



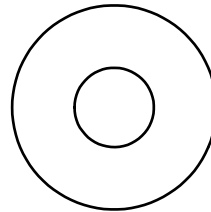
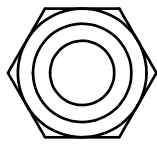
JG1000 ASSEMBLY INSTRUCTIONS

HARDWARE ILLUSTRATION



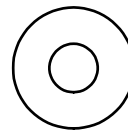
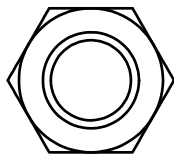
(B1) NYLON LOCK NUT M12 QTY.7

(C1) M12(I.D.) FLAT WASHER Ø34 QTY.14



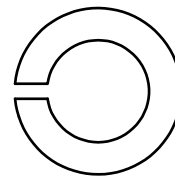
(B2) NYLON LOCK NUT M10 QTY.6

(C2) M10(I.D.) FLAT WASHER Ø27 QTY.12

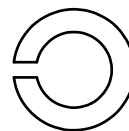


(B3) 1/2" NUT-13UNC QTY.2

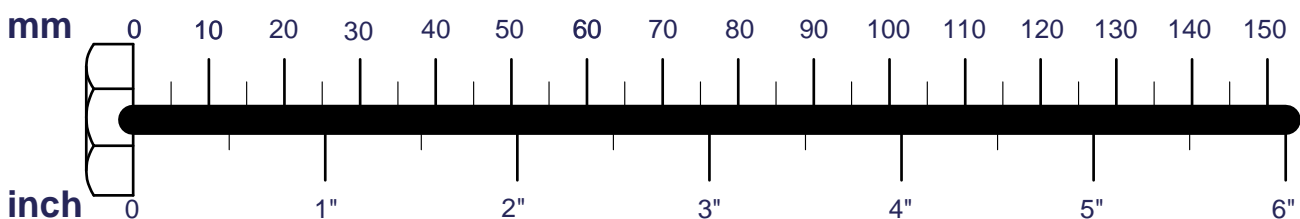
(C3) M6(I.D.) FLAT WASHER Ø19 QTY.16



(C4) SPRING WASHER 1/2" QTY.2



(C5) SPRING WASHER 3/8" QTY.1

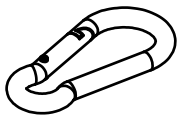


JG1000 ASSEMBLY INSTRUCTIONS

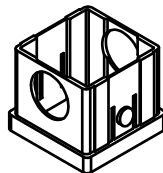
HARDWARE ILLUSTRATION

| | |
|---|--------|
| D1.HOOK(8810-001)----- | [1PCS] |
| D2.□60X50 NYLON BUSHING(9211-033)----- | [2PCS] |
| D3.3/4" SHAFT COLLAR(9211-046)----- | [2PCS] |
| D4.50X100X2.0tX30H END CAP(9211-114)----- | [1PCS] |
| D5.Ø100X30H CAP COVER(9211-186)----- | [3PCS] |
| D6.BOTTLE RACK(9260-320)----- | [1PCS] |
| D7.RUBBER DOUNT(9310-027)----- | [2PCS] |
| D8.226X13.5tX161 RUBBER PAD(9310-115)----- | [3PCS] |
| D9.NYLON CABLE HANDLE(9630-284)----- | [1PCS] |
| D10.Ø110 PULLEY(9213-002B)----- | [6PCS] |
| D11.Ø117 PULLEY(9213-010E)----- | [2PCS] |
| D12.7320mm STEEL CABLE(FJG1000A)----- | [1PCS] |
| D13.Ø27.5XØ22X11.5L RUBBER PAD(9214-030)----- | [1PCS] |

D1.



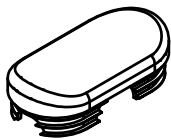
D2.



D3.



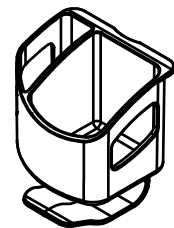
D4.



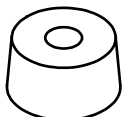
D5.



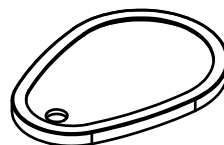
D6.



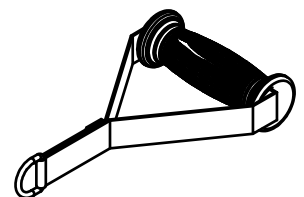
D7.



D8.



D9.



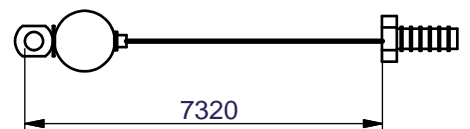
D10.



D11.



D12.

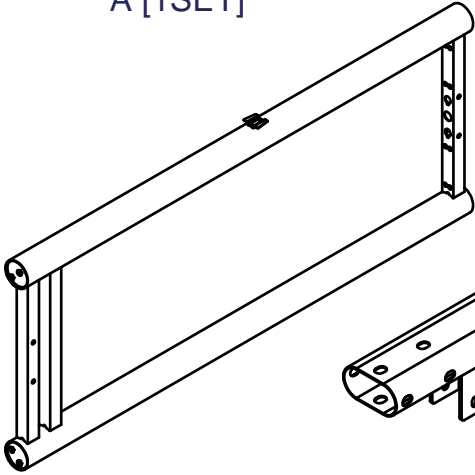


D13.

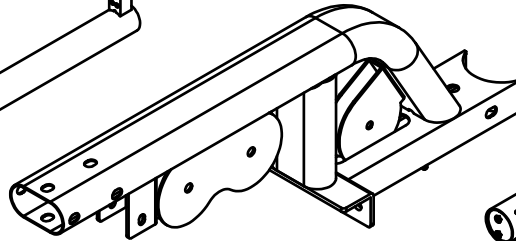


PARTS ILLUSTRATION SHEET

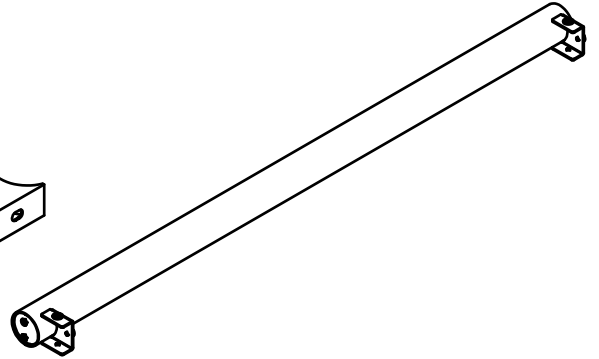
A [1SET]



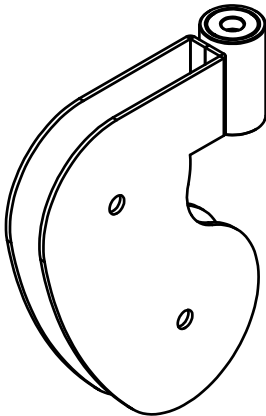
B [1SET]



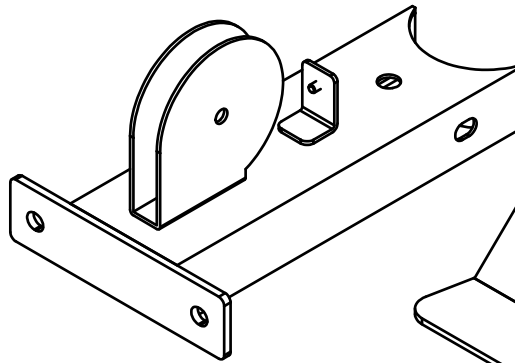
C [1SET]



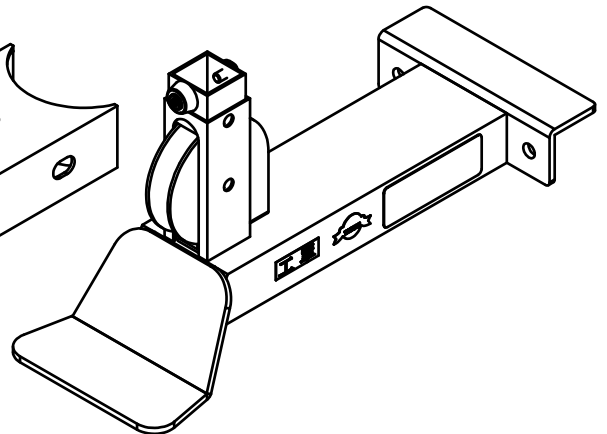
D [1SET]



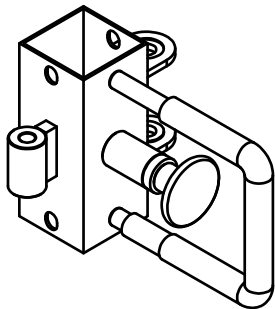
E [1SET]



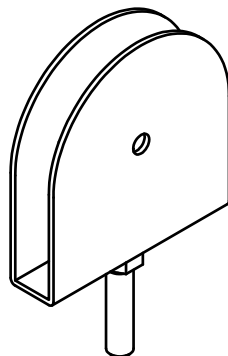
F [1SET]



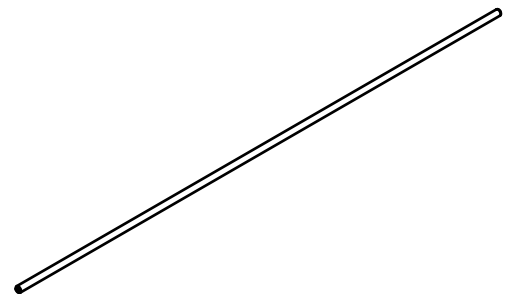
G1 [1SET]
280272



H [1SET]

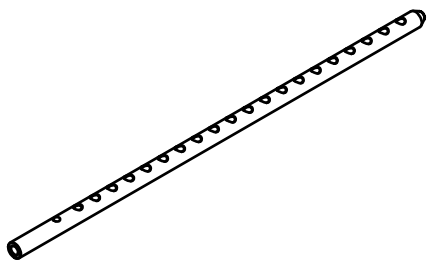


I [2PCS]
8280-014
Ø3/4"X1800L

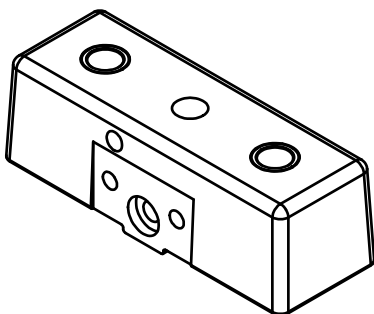


PARTS ILLUSTRATION SHEET

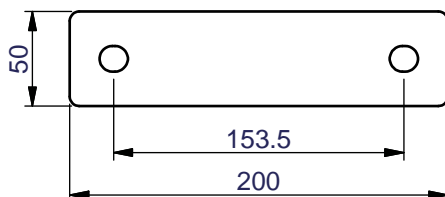
S1 [1PCS]
8210-216
Ø1"X596L



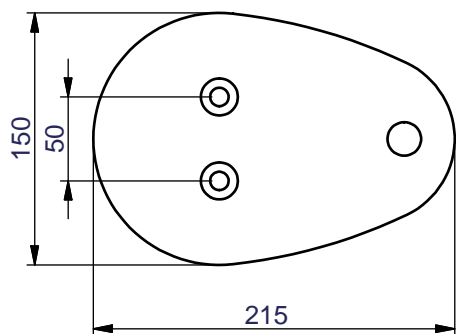
T [1SET]
8400-033



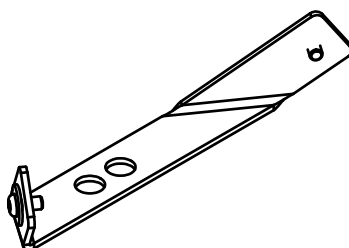
U [1PCS]
8312-077



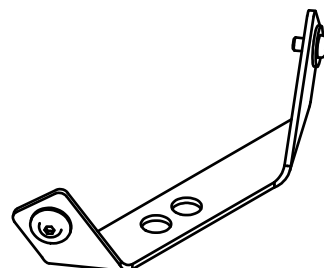
V [3PCS]
8343-324



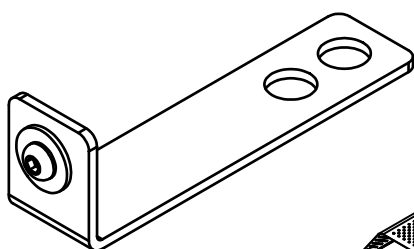
W [2SET]
8321-059



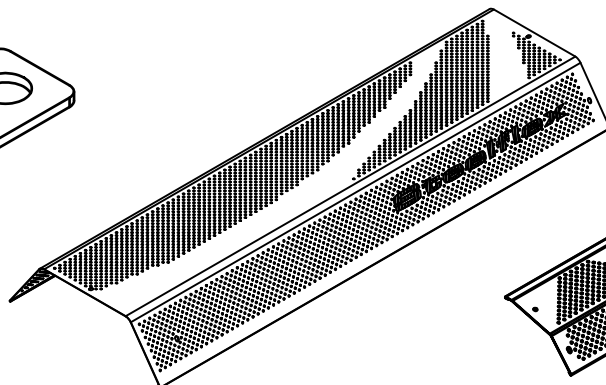
X [2SET]
8321-060



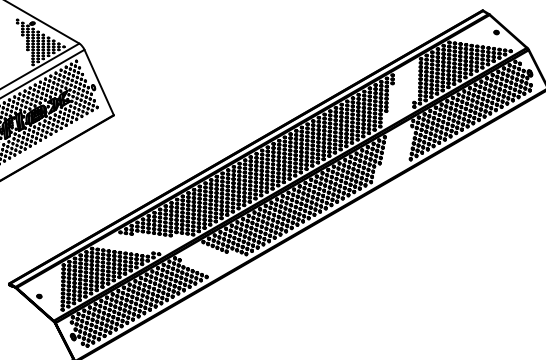
Y [4SET]
8331-070



Z [1PCS]
8380-075

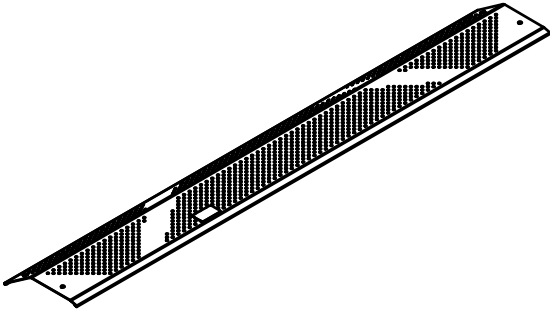


AA [1PCS]
8380-076

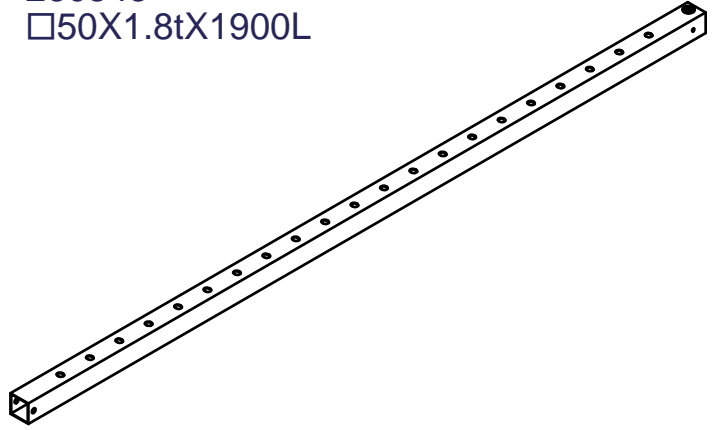


PARTS ILLUSTRATION SHEET

AB[1SET]
8380-076



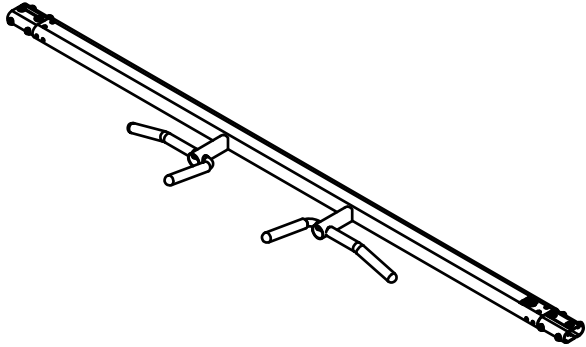
AC[1SET]
260545
□50X1.8tX1900L



PARTS ILLUSTRATION SHEET

JG is collocated in JG2000, JG5000(S), JG8000(S)

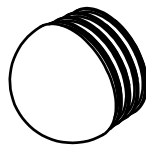
BA[1SET]



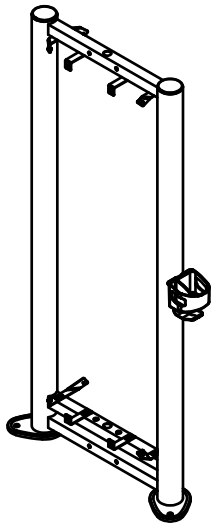
HARDWARE ILLUSTRATION

DD1.Ø49.5X43L CAP COVER(9211-074)----- [2PCS]

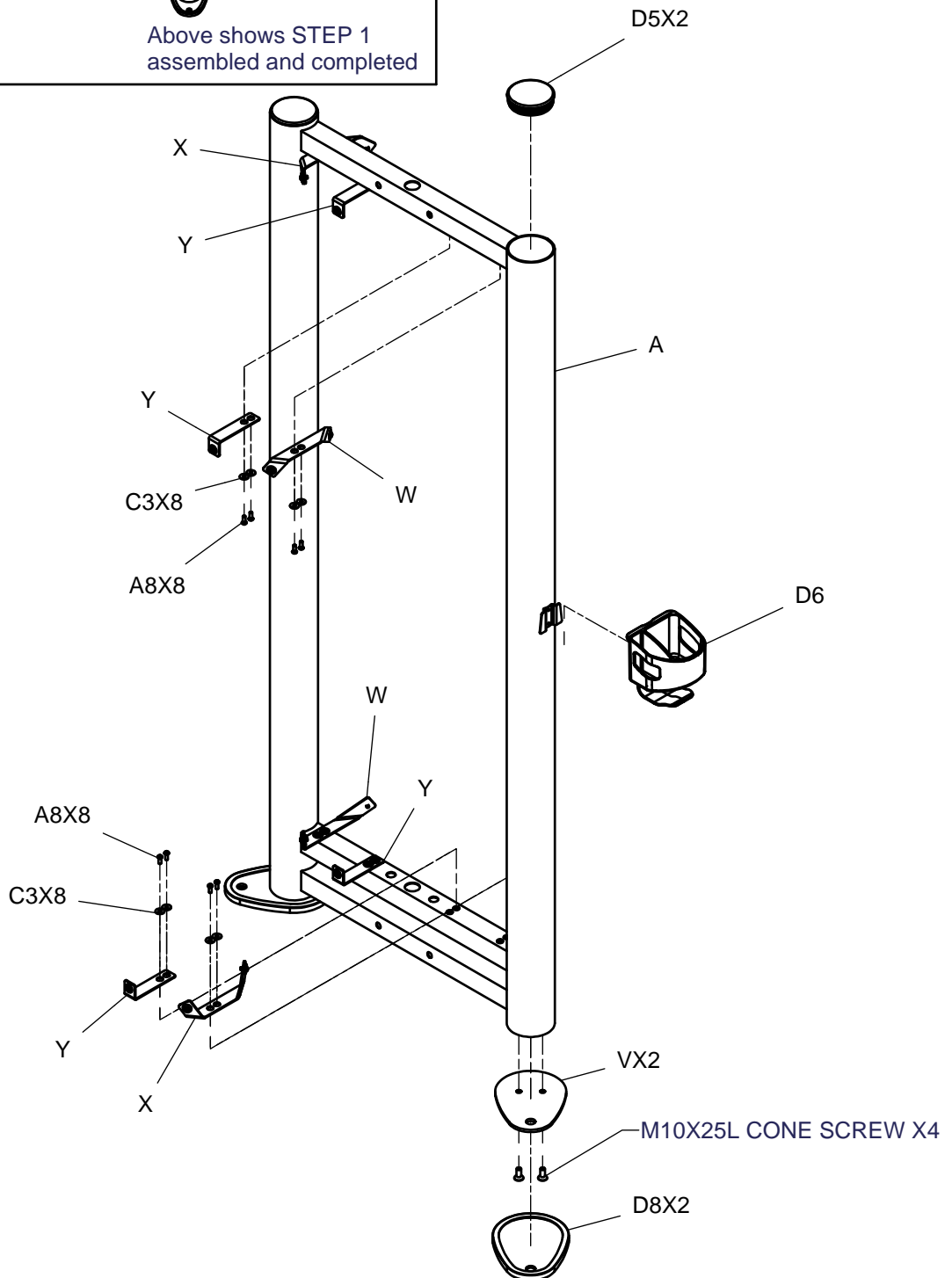
DD1.



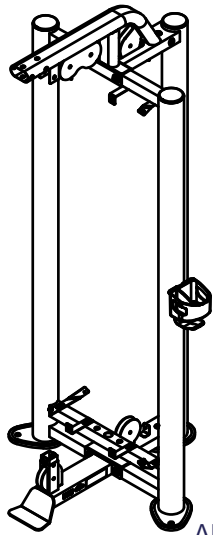
JG1000 ASSEMBLY INSTRUCTIONS



Above shows STEP 1
assembled and completed



JG1000 ASSEMBLY INSTRUCTIONS



Above shows STEP 2 assembled and completed

M10X15L ROUND INNER HEX SCREW X3

M10-Ø27 WASHER X3

B

D5

B1X2

C1X2

C

U

C1X2

A2X2

M10X15L ROUND INNER HEX SCREW X3

M10-Ø27 WASHER X3

E

V

M10X25L CONE SCREW X2

C1X2

B1X2

D8

F

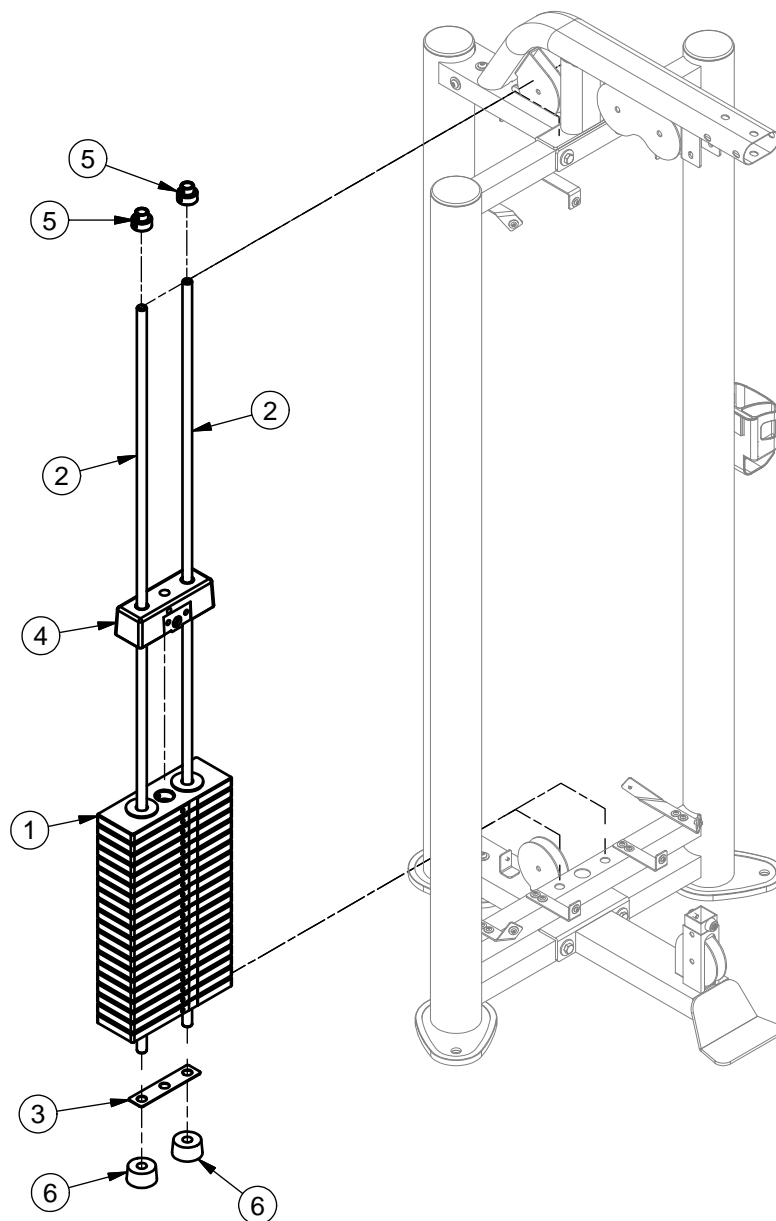
C1X2

A2X2

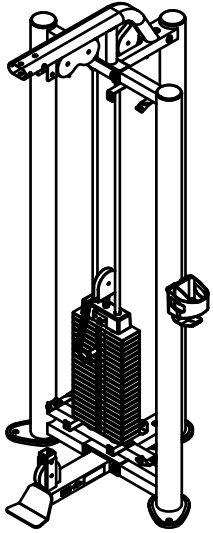
| Project | Part number | Name | Specification | Quantity | Remark |
|---------|-------------|--------------------|----------------------|----------|--------|
| 1 | 208400-010 | weight stack plate | | 1 | |
| 2 | 8280-014 | GUIDE RODS | | 2 | |
| 3 | 8311-194 | plate | 38X2TX167 | 1 | |
| 4 | 8400-033 | TOP PLATE | | 1 | |
| 5 | 9211-046 | SHAFT COLLAR | Ø(40X25.7)XØ19.5X35L | 2 | |
| 6 | 9310-027 | RUBBER DONUT | Ø55XØ19.5X32L | 2 | |
| 7 | JG1000-P08L | WEIGHT STACK FRAME | | 1 | |

Note:

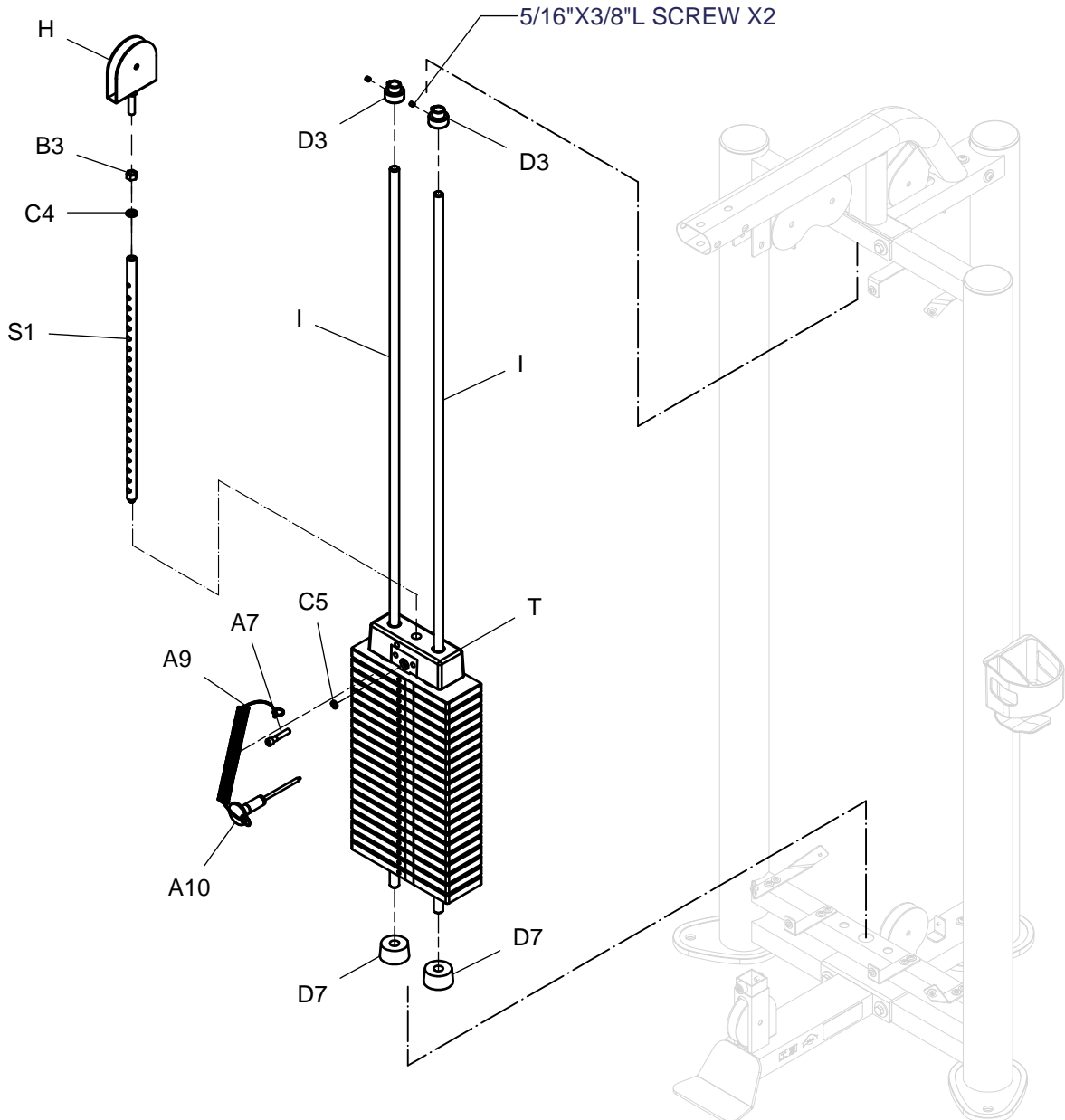
Part #3 have to be installed after part #6
and before the installation of weight plates set (Part #1)



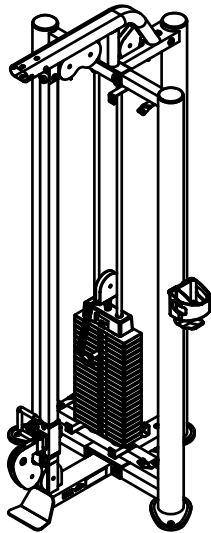
JG1000 ASSEMBLY INSTRUCTIONS



Above shows STEP 3 assembled and completed

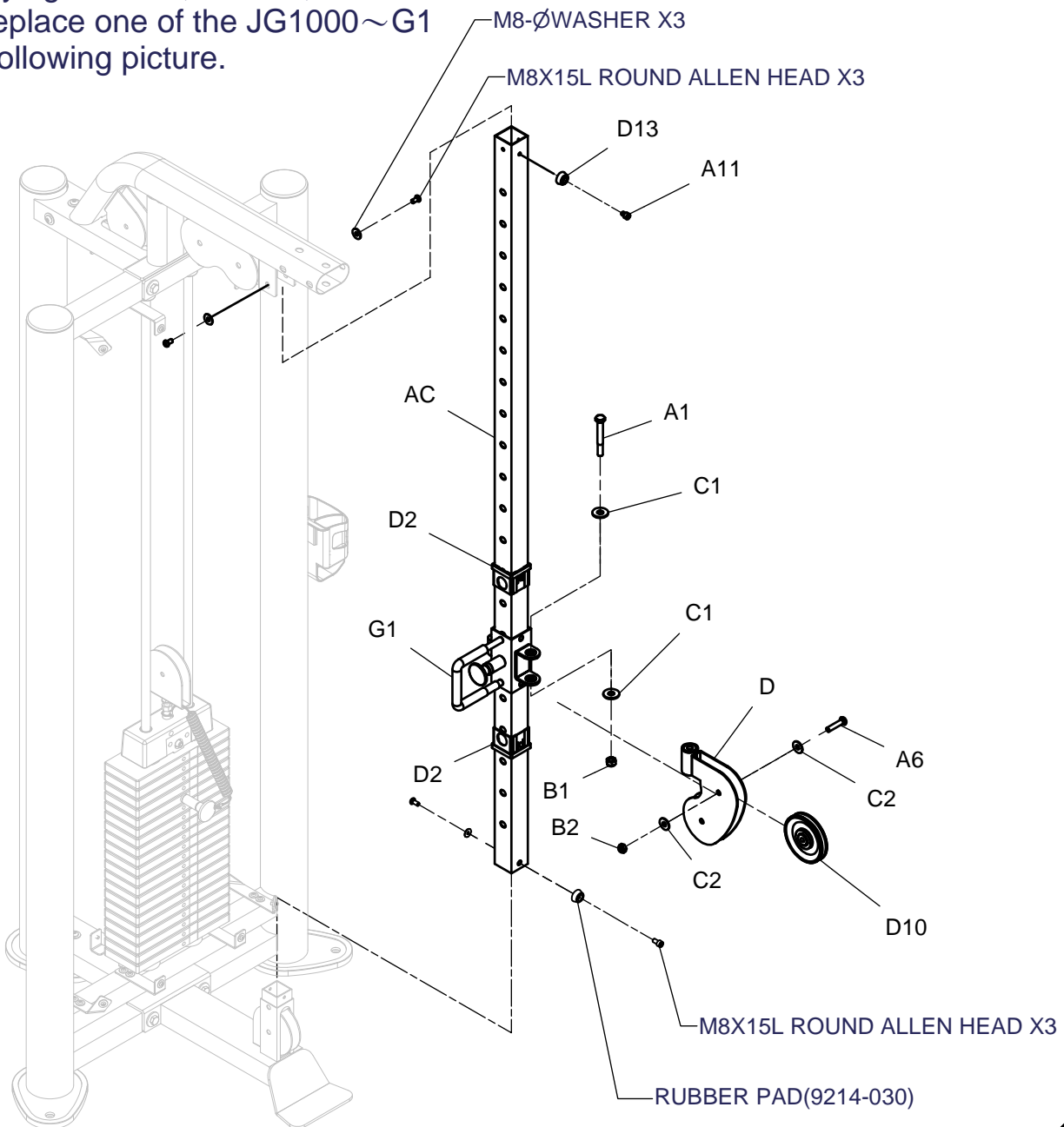


JG1000 ASSEMBLY INSTRUCTIONS

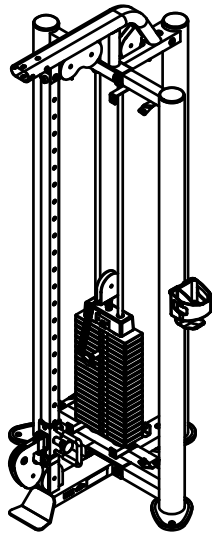


Above shows STEP 4.1 assembled and completed

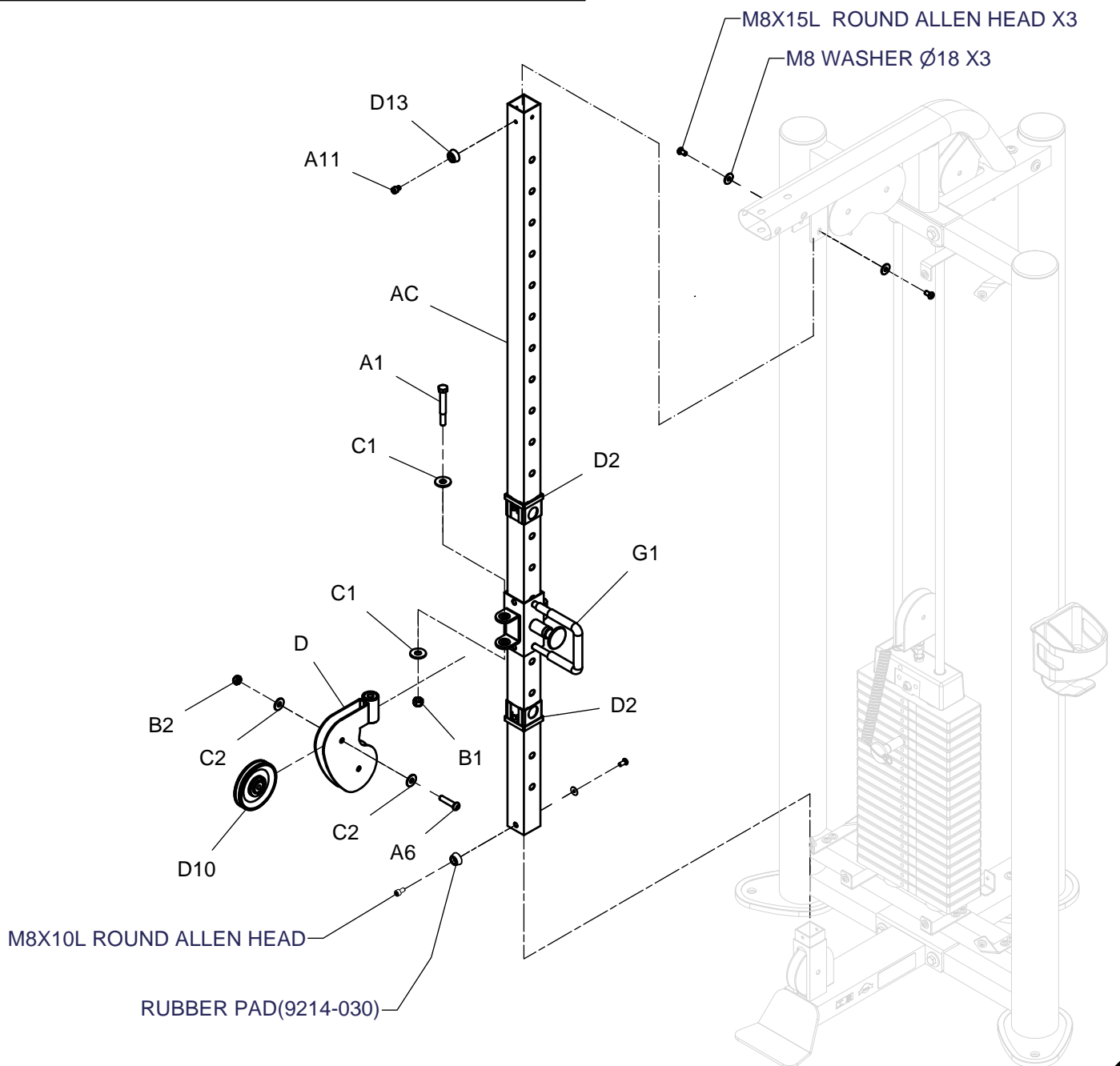
When buying JG2000, JG5000,
Please replace one of the JG1000 ~ G1
see the following picture.



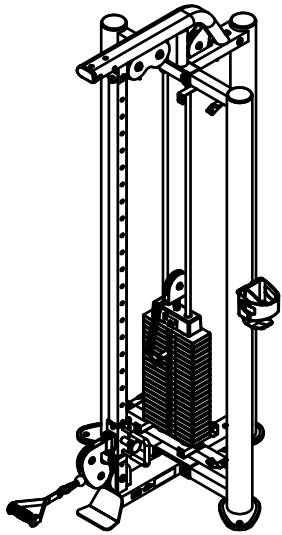
JG1000 ASSEMBLY INSTRUCTIONS



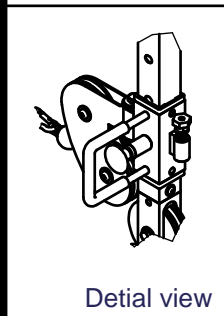
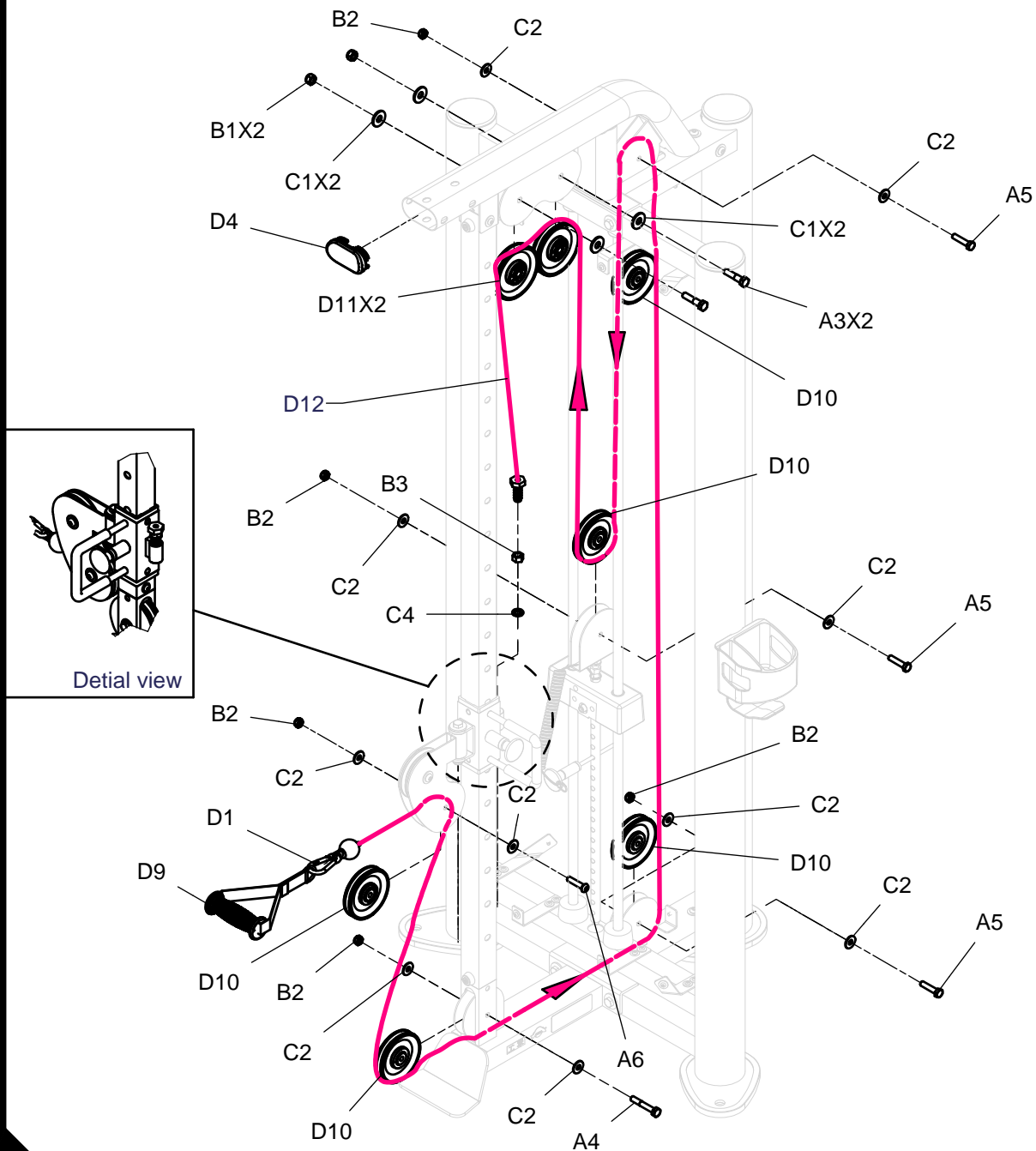
Above shows STEP 4 assembled and completed



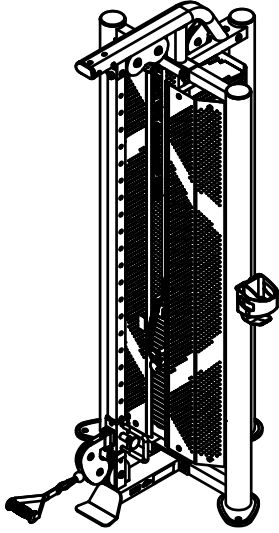
JG1000 ASSEMBLY INSTRUCTIONS



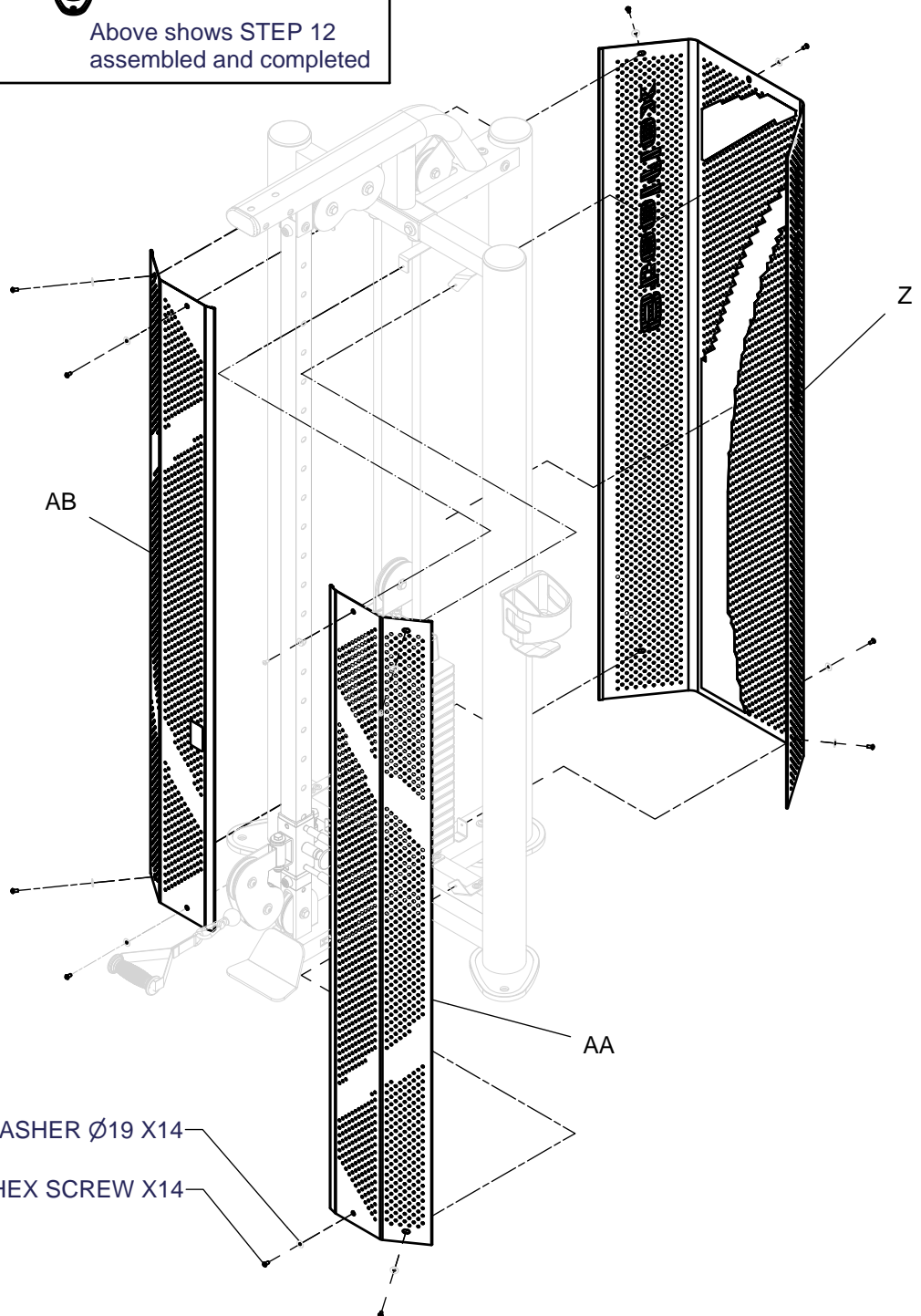
Above shows STEP 5 assembled and completed



JG1000 ASSEMBLY INSTRUCTIONS



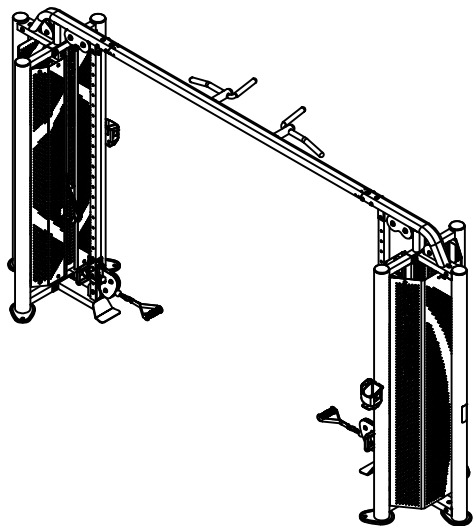
Above shows STEP 12
assembled and completed



M6 WASHER Ø19 X14

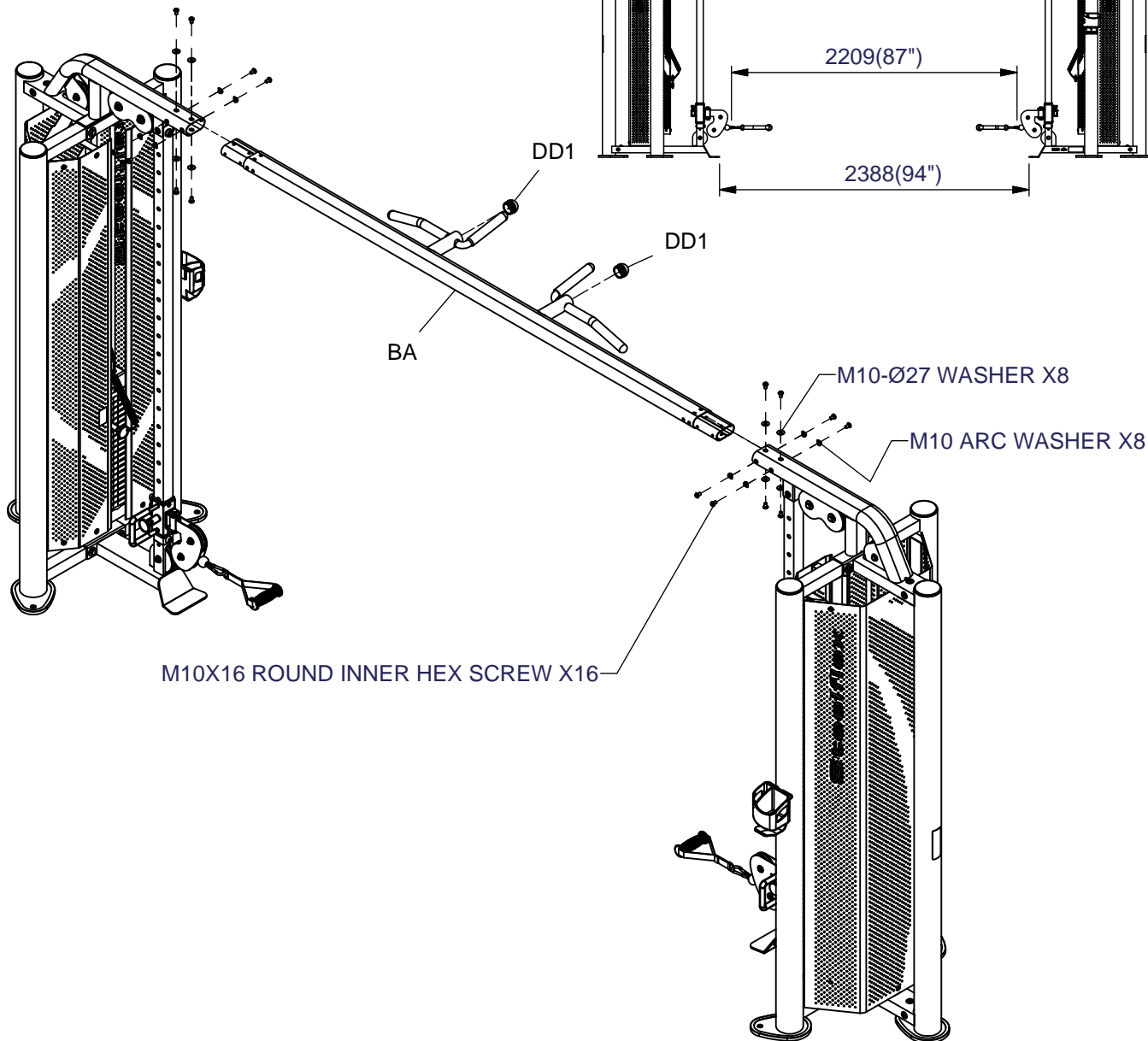
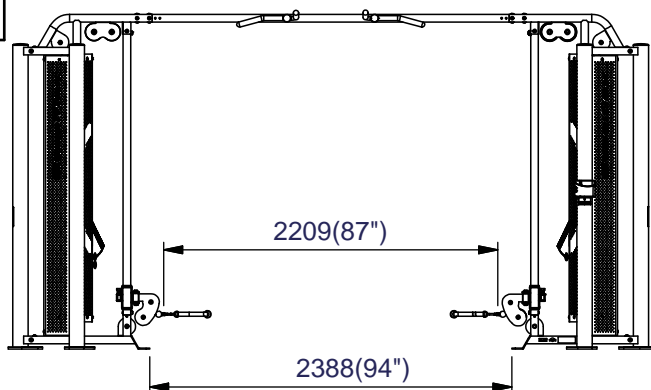
M6X16 ROUND INNER HEX SCREW X14

JG1000 ASSEMBLY INSTRUCTIONS

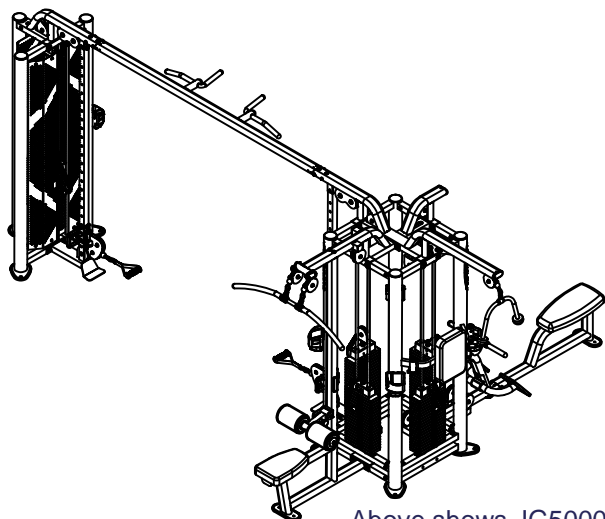


Above shows JG2000 assembled and completed

When buying JG2000, following the diagram of assembling

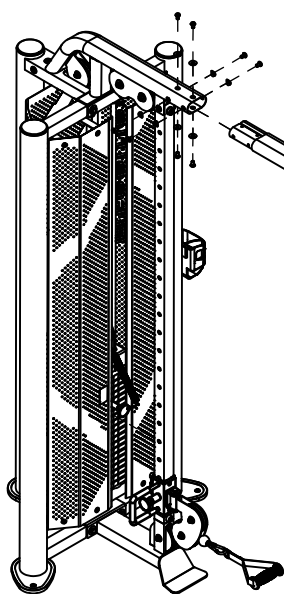
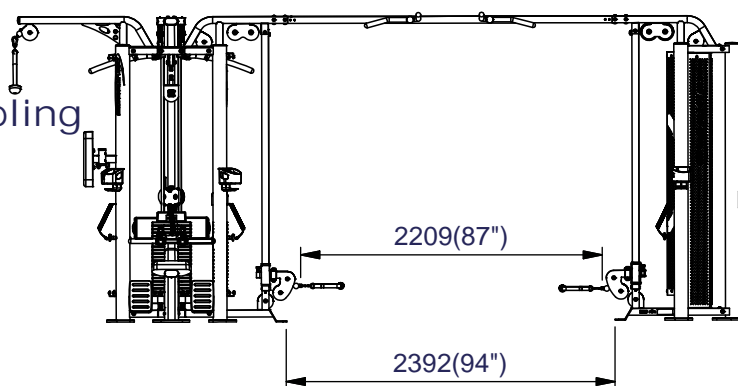


JG1000 ASSEMBLY INSTRUCTIONS



Above shows JG5000 assembled and completed

When buying JG5000, following the diagram of assembling



DD1

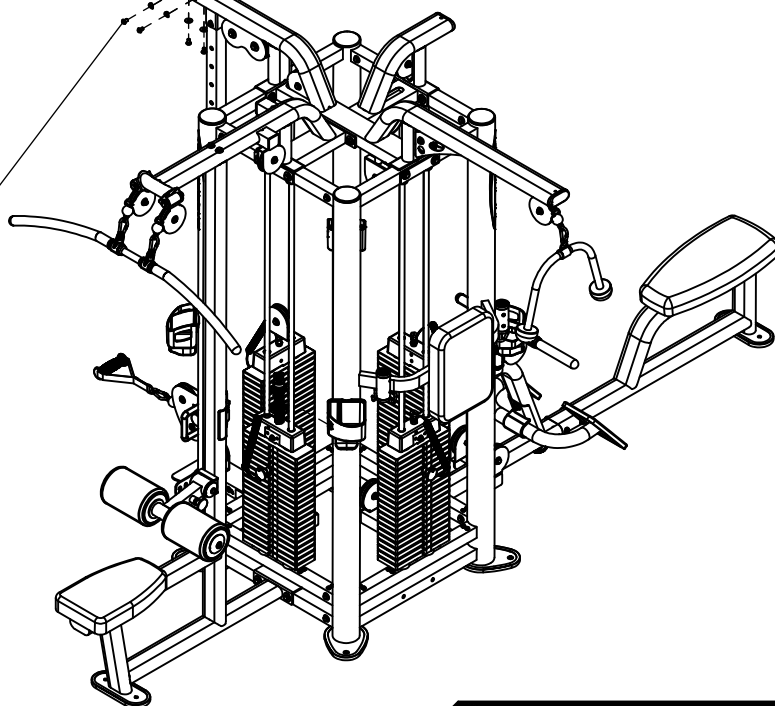
DD1

BA

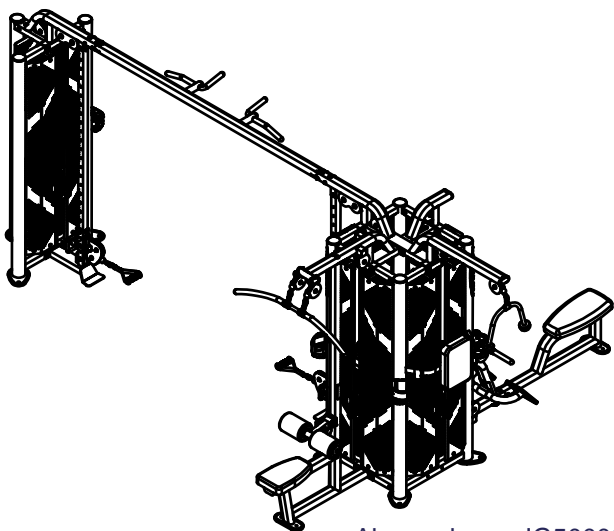
M10-Ø27 WASHER X8

M10 ARC WASHER X8

M10X16 ROUND INNER HEX SCREW X16

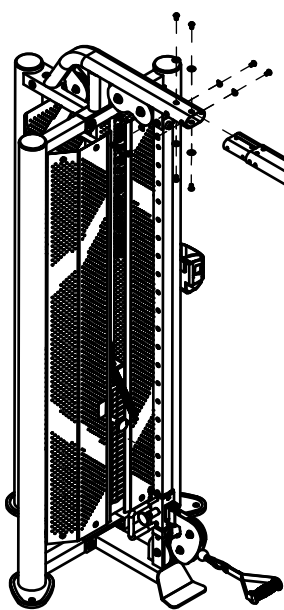
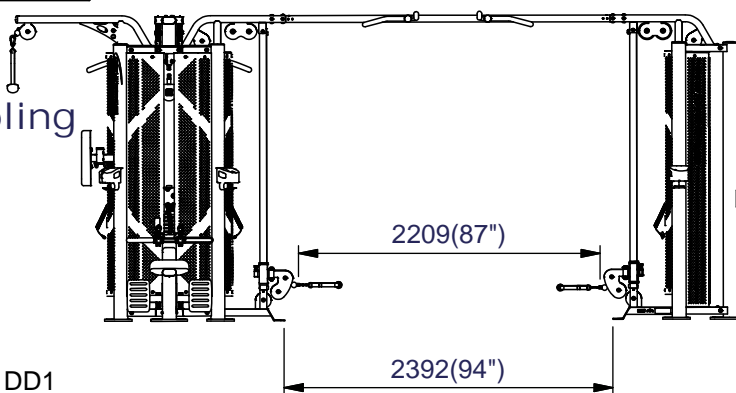


JG1000 ASSEMBLY INSTRUCTIONS



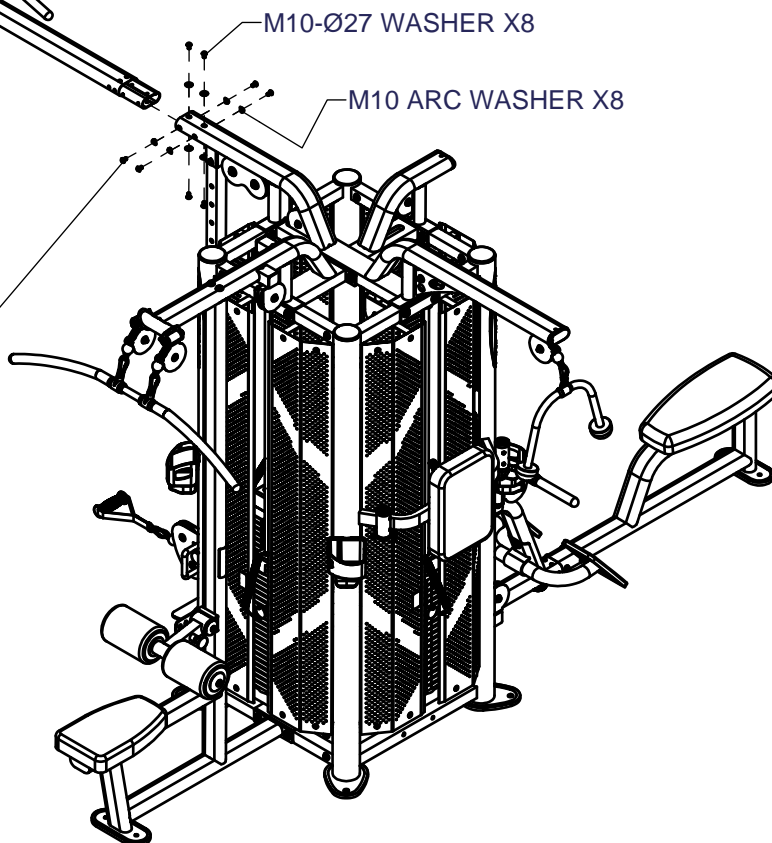
Above shows JG5000S assembled and completed

When buying JG5000S, following the diagram of assembling



DD1
DD1
BA

M10X16 ROUND INNER HEX SCREW X16

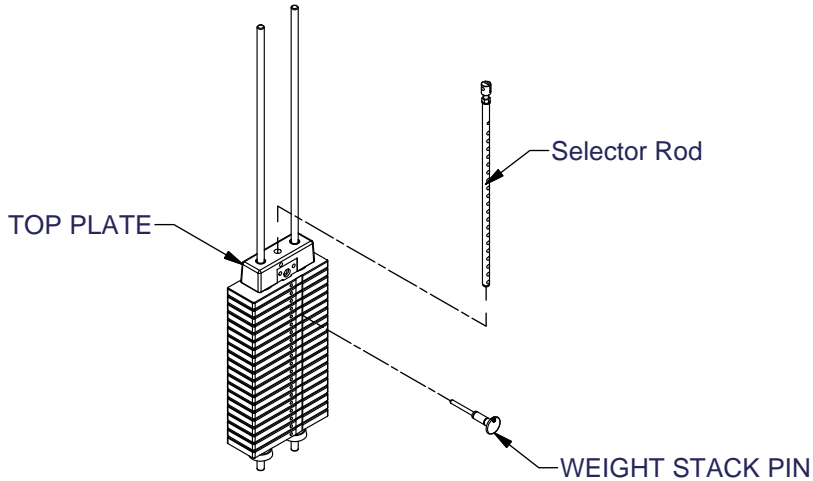


M10-Ø27 WASHER X8

M10 ARC WASHER X8

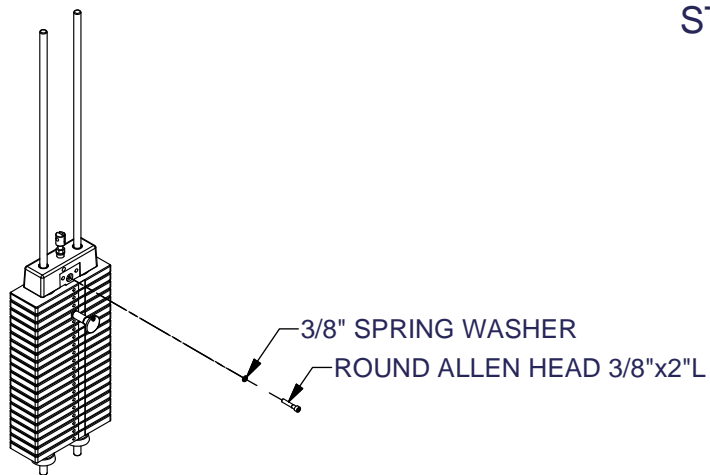
Guide on Selector Rod Adjustment

STEP 1



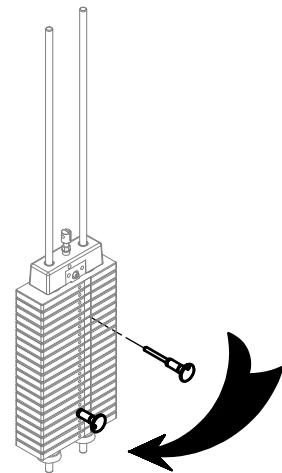
Step 1
Place Selector Rod into Top Plate.
Then put selector pin into the weight plate to fix the rod.

STEP 2

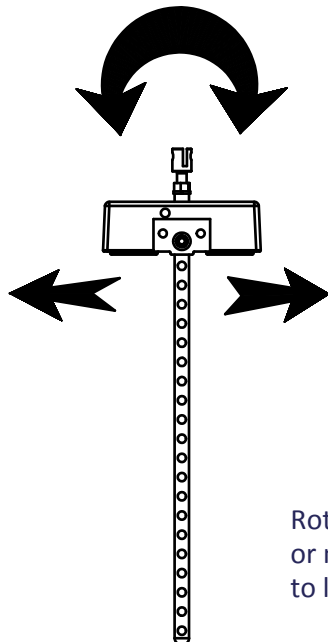


Step 2
Screw the 3/8"x2"L Round Allen Head
into Top Plate but not tighten it up.

STEP 3



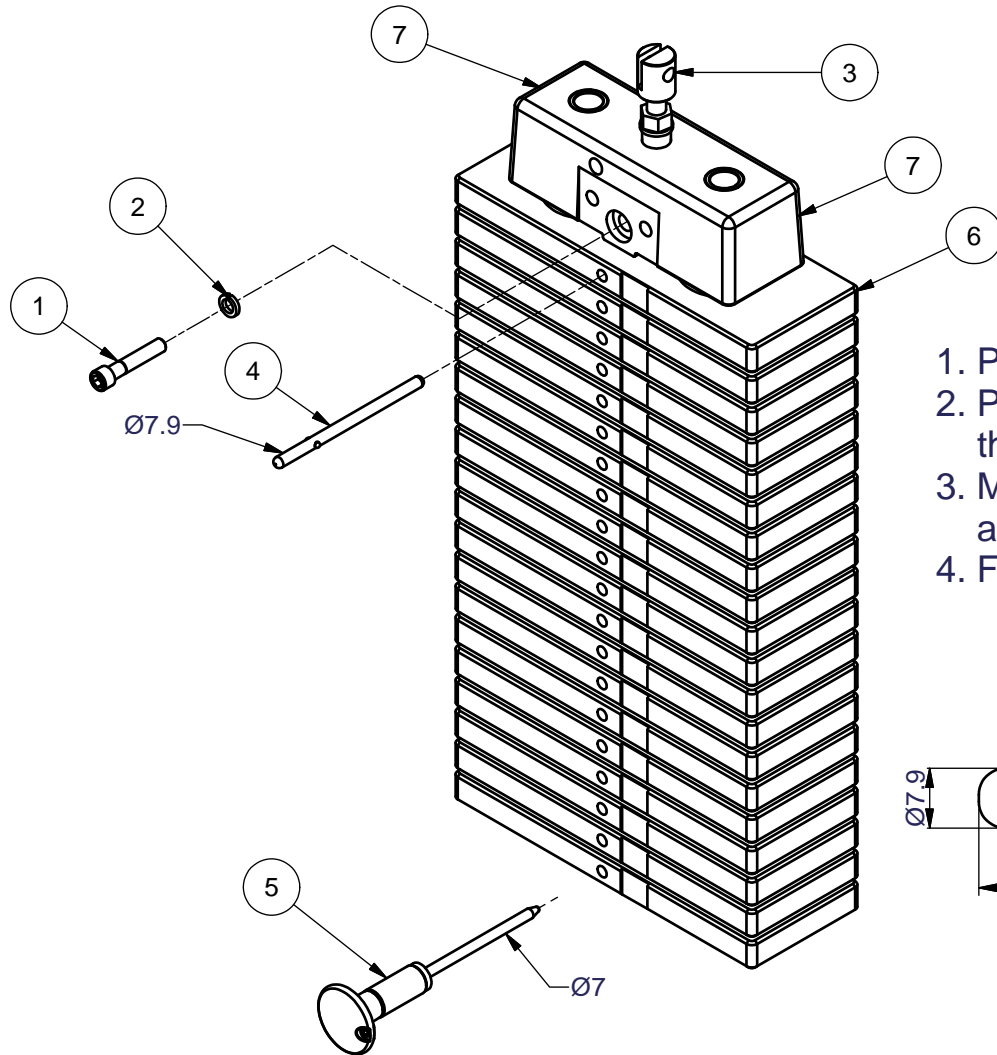
Step 3
Place the selector pin to each weight plate
(5,10,15,20...) to check the smoothness.



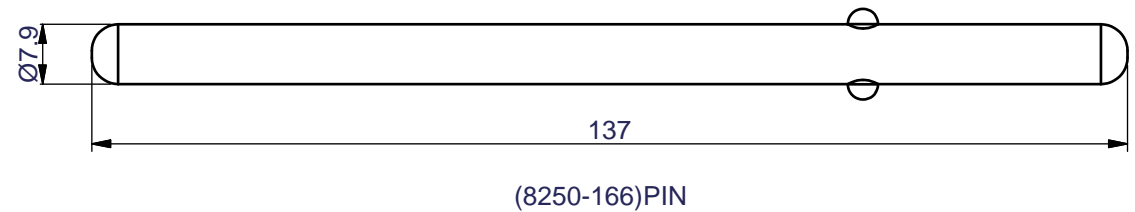
Rotate the Selector Rod slightly
or move the 3/8"x2"L Round Allen Head
to left and right and repeat Step 3.

MEGA POWER series JUNGLE GYM series

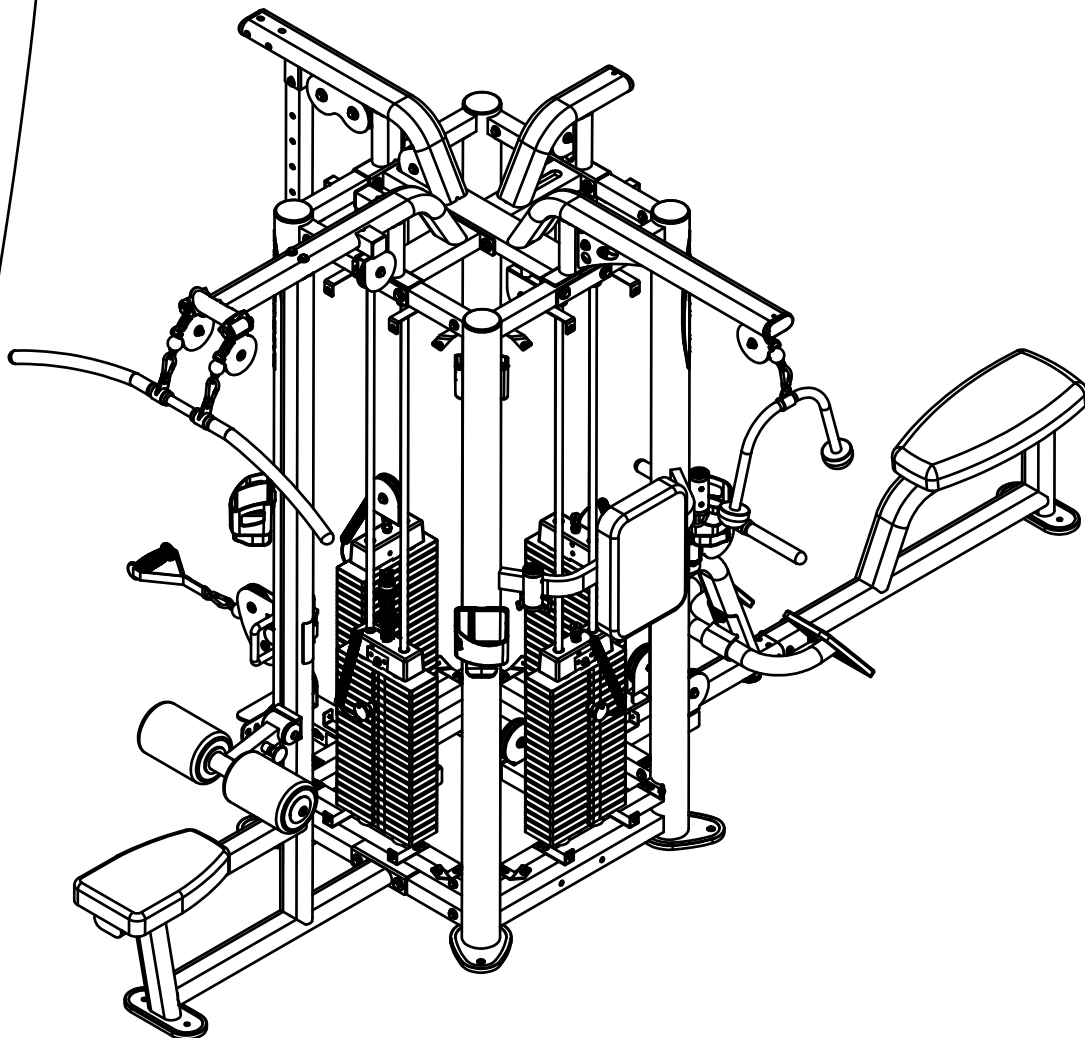
| project | Part number | Name | Specification | Quantity | Remark |
|---------|------------------|-------------------------|-------------------------------|----------|--------|
| 1 | 38-200 CAP | round allen head | 3/8"X2"L round allen head-CAP | 1 | |
| 2 | 38-SPWAS 8732003 | 3/8" spring washer | | 1 | |
| 3 | 8210-216C | 20 hole Selector Rod | | 1 | |
| 4 | 8250-166 | pin | Ø7.9X137L | 1 | |
| 5 | 8250-162 | weight stack pin | Ø7X110L | 1 | |
| 6 | 8400-010 | 10LB weight stack plate | 102x22tx280L 10LB | 20 | |
| 7 | 8400-033 | top plate | | 1 | |



1. Place #4 - 8250-166 (pin) into the first weight plate.
2. Place #5 - 8250-162 (weight stack pin) into the the hole 20th of the weight stack.
3. Make sure #7 (top plate) cling to #6 (first weight plate) and fix in #1 - 3/8"X2"L screw and #2 - 3/8" spring washer.
4. Finally remove #5 - 8250-162 (weight stack pin) and use as usual.



JUNGLE GYM



JOONG CHENN INDUSTRY CO., LTD.

Sales Office:

3F28, No.5, Shin-Yi Rd., Sec. 5, Taipei, Taiwan 110 R.O.C.

Tel: 886-2-27209980

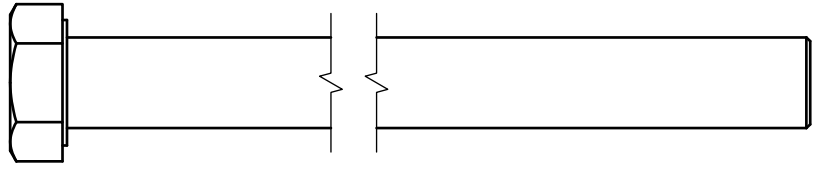
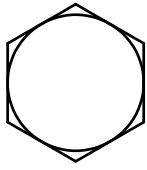
Fax: 886-2-27229750

www.steelflexfitness.com

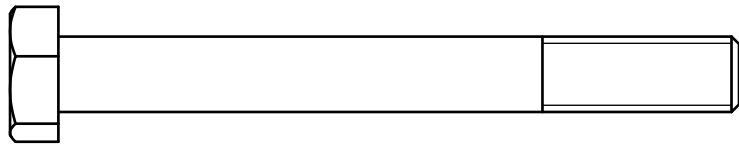
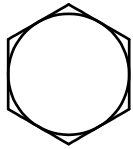
JG4000.2 OWNER'S MANUAL

JG4000 ASSEMBLY INSTRUCTIONS

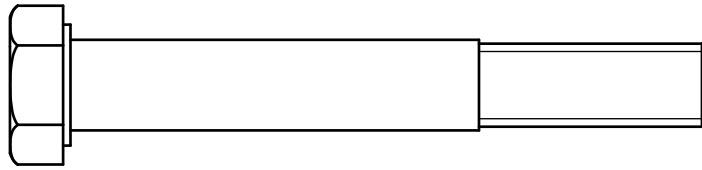
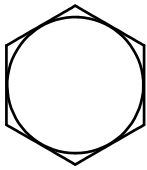
HARDWARE ILLUSTRATION



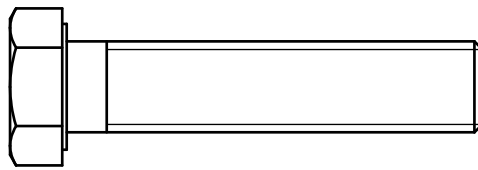
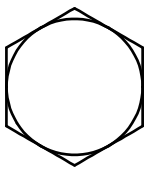
(A1)HEX BOLT M12X130L PARTIAL THREAD QTY.2



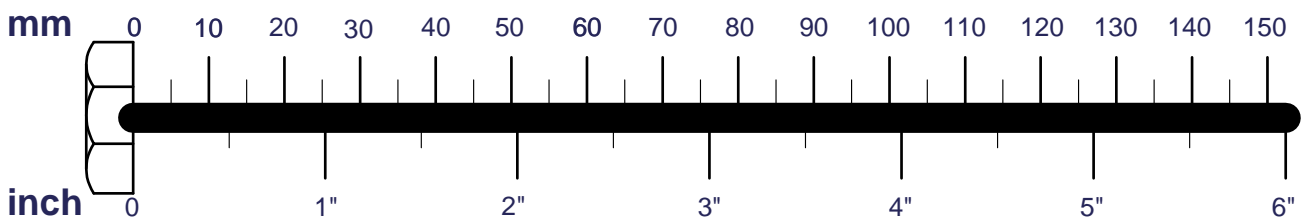
(A2)HEX BOLT M12X90L PARTIAL THREAD QTY.5



(A3)HEX BOLT M12X85L PARTIAL THREAD QTY.14

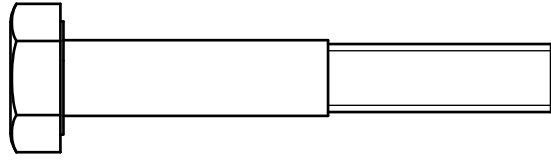
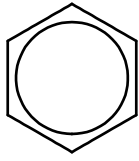


(A4)HEX BOLT M12X50L PARTIAL THREAD QTY.4

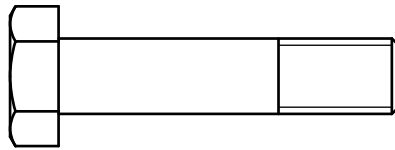
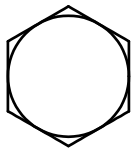


JG4000 ASSEMBLY INSTRUCTIONS

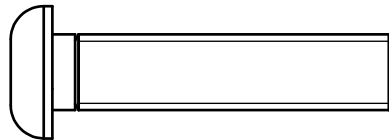
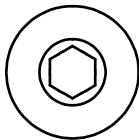
HARDWARE ILLUSTRATION



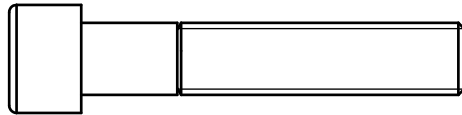
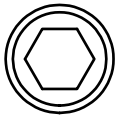
(A5)HEX BOLT M10X65L PARTIAL THREAD QTY.1



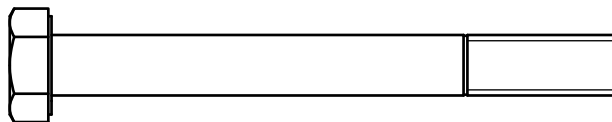
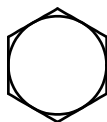
(A6)HEX BOLT M10X45L PARTIAL THREAD QTY.9



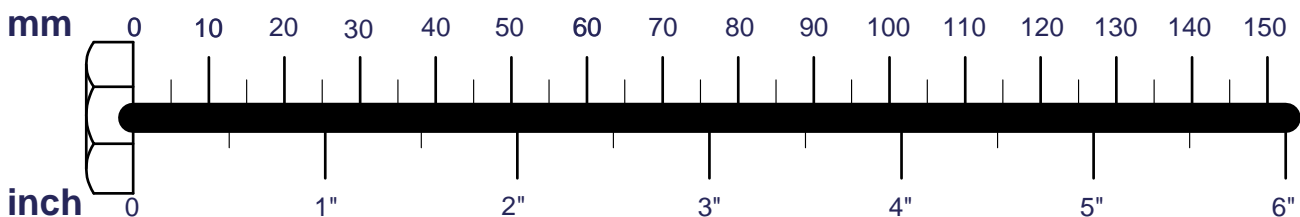
(A7)ROUND INNER HEX SCREW M10X45L PARTIAL THREAD QTY.7



(A8) ROUND ALLEN HEAD 3/8"x2"L PARTIAL QTY.4

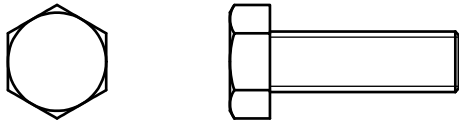


(A9)HEX BOLT M8X75L PARTIAL QTY.4

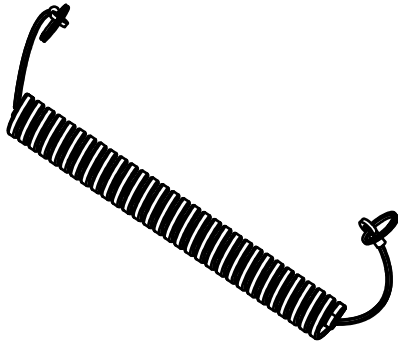


JG4000 ASSEMBLY INSTRUCTIONS

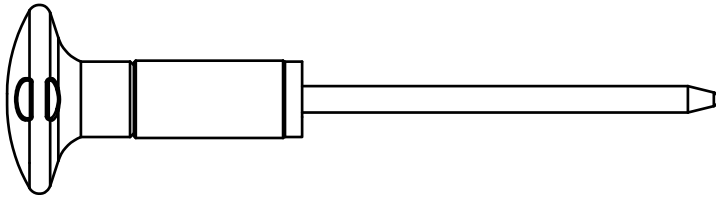
HARDWARE ILLUSTRATION



(A10)HEX BOLT M8X25L PARTIAL THREAD QTY.4



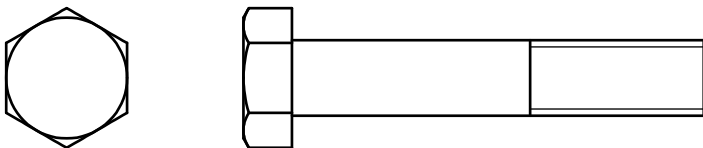
(A11)ELASTIC BELT QTY.4



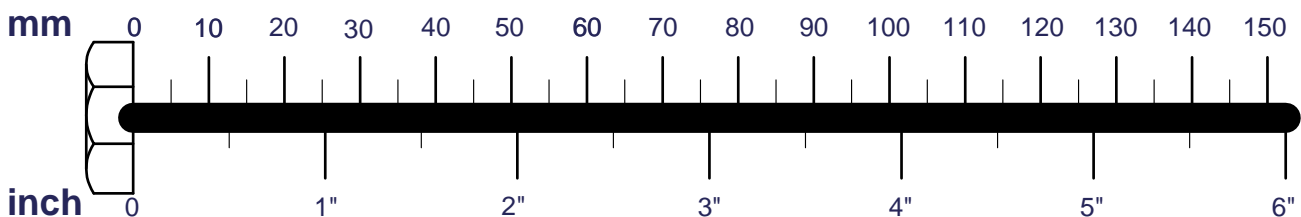
(A12)20LB PIN(8250-162) QTY.4



(A13) ROUND ALLEN HEAD M8X15L PARTIAL QTY.1

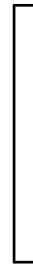
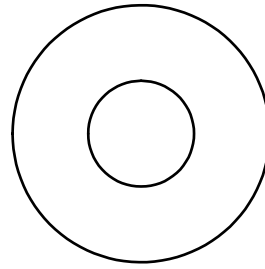
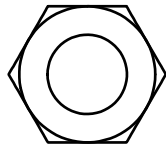


(A14)HEX BOLT M10X55L PARTIAL THREAD QTY.1

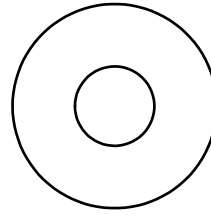
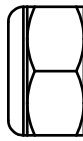
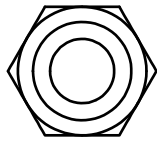


JG4000 ASSEMBLY INSTRUCTIONS

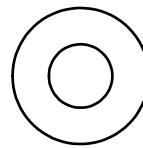
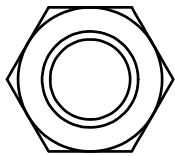
HARDWARE ILLUSTRATION



(B1) NYLON LOCK NUT M12 QTY.25 (C1) M12(I.D.) FLAT WASHER Ø34 QTY.50

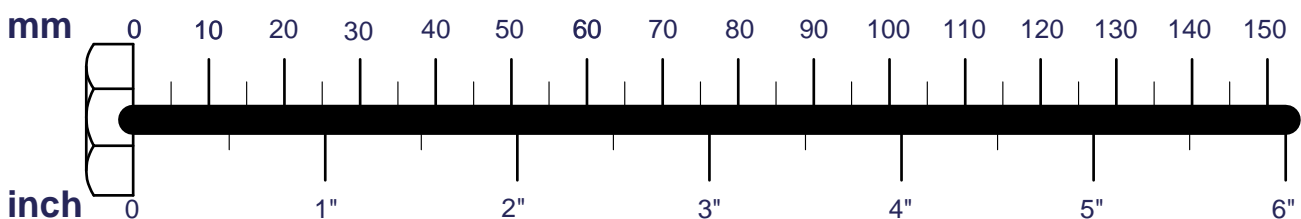


(B2) NYLON LOCK NUT M10 QTY.18 (C2) M10(I.D.) FLAT WASHER Ø27 QTY.36

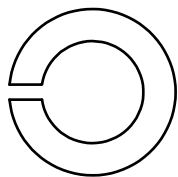


(B3) 1/2" NUT-13UNC QTY.7

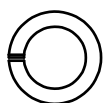
(C3) M8(I.D.) FLAT WASHER Ø18 QTY.8



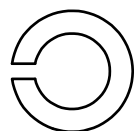
HARDWARE ILLUSTRATION



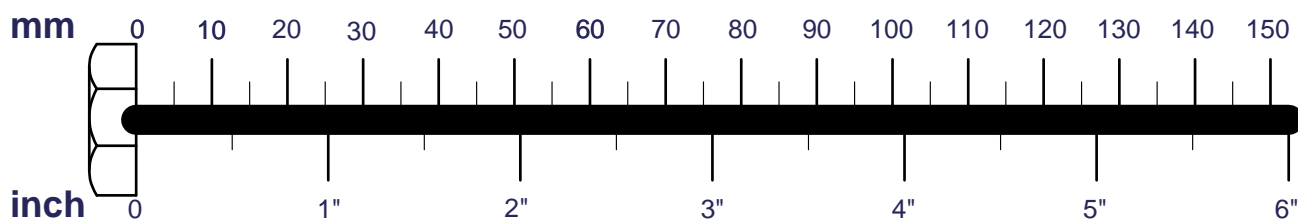
(C4)SPRING WASHER 1/2" QTY.7



(C5)SPRING WASHER M8 QTY.8



(C6)SPRING WASHER 3/8" QTY.4

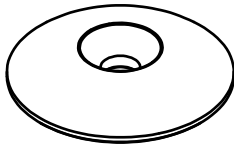


JG4000 ASSEMBLY INSTRUCTIONS

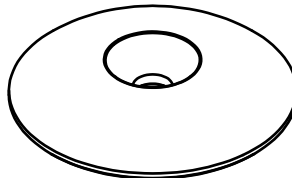
HARDWARE ILLUSTRATION

| | |
|--|--------|
| D1.Ø60 CAP COVER(8130-231)----- | [2PCS] |
| D2.Ø76 CAP COVER(8130-236)----- | [2PCS] |
| D3.HOOK(8810-001)----- | [8PCS] |
| D4.NYLON BUSHING(9211-029)----- | [4PCS] |
| D5.NYLON BUSHING(9211-033)----- | [2PCS] |
| D6.3/4" SHAFT COLLAR(9211-046)----- | [8PCS] |
| D7.50X100X2.0tX30H END CAP(9211-114)----- | [3PCS] |
| D8.Ø100X30H CAP COVER(9211-186)----- | [4PCS] |
| D9.Ø120XØ52X3t NYLON WASHER(9214-039)----- | [4PCS] |
| D10.BOTTLE RACK(9260-320)----- | [4PCS] |
| D11.RUBBER DOUNT(9310-027)----- | [8PCS] |
| D12.108X14.5tX263L RUBBER PAD(9310-075)----- | [2PCS] |

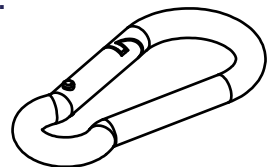
D1.



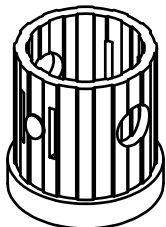
D2.



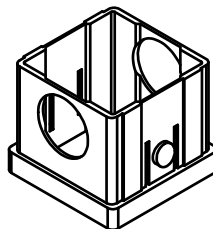
D3.



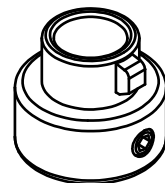
D4.



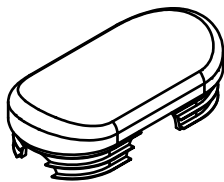
D5.



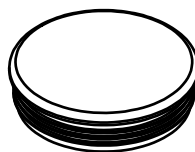
D6.



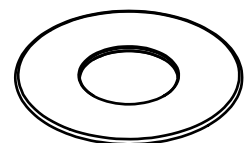
D7.



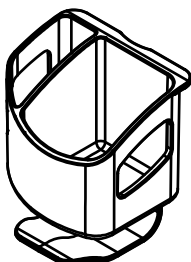
D8.



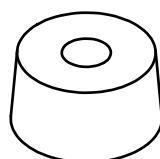
D9.



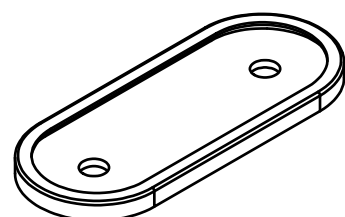
D10.



D11.



D12.

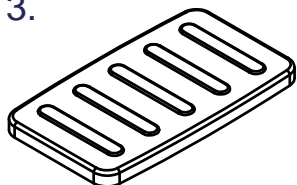


JG4000 ASSEMBLY INSTRUCTIONS

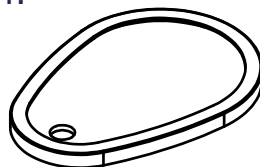
HARDWARE ILLUSTRATION

| | |
|---|---------|
| D13.295X170X18t RUBBER PAD(9310-107)----- | [2PCS] |
| D14.226X13.5tX161 RUBBER PAD(9310-115)----- | [4PCS] |
| D15.Ø37.5X13.5 RUBBER DOUNT(9310-116)----- | [1PCS] |
| D16.NYLON CABLE HANDLE(9630-284)----- | [5PCS] |
| D17.RESISTANCE BAND(TR20)----- | [1PCS] |
| D18.Ø110 PULLEY(9213-002B)----- | [21PCS] |
| D19.Ø117 PULLEY(9213-010E)----- | [4PCS] |
| D20.2090mm STEEL CABLE(FJG4000A)----- | [1PCS] |
| D21.7320mm STEEL CABLE(FJG4000B)----- | [1PCS] |
| D22.1730mm STEEL CABLE(FJG4000C)----- | [1PCS] |
| D23.5560mm STEEL CABLE(FJG4000D)----- | [1PCS] |
| D24.4255mm STEEL CABLE(FJG4000E)----- | [1PCS] |
| D25.Ø27.5XØ22X11.5L RUBBER PAD(9214-030)----- | [1PCS] |
| D26.1545mm STEEL CABLE(FJG4000F)----- | [1PCS] |

D13.



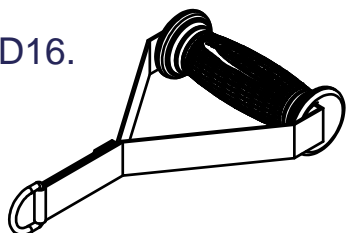
D14.



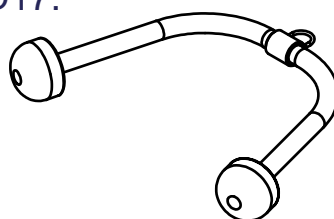
D15.



D16.



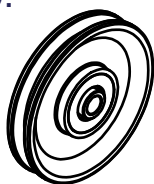
D17.



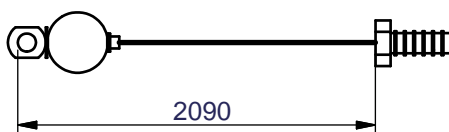
D18.



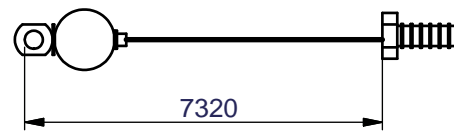
D19.



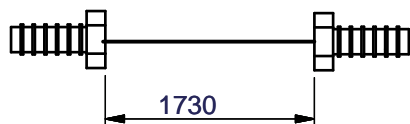
D20.



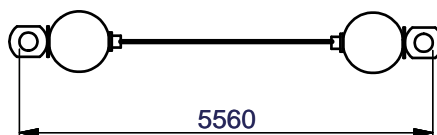
D21.



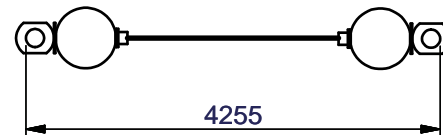
D22.



D23.



D24.



D25.

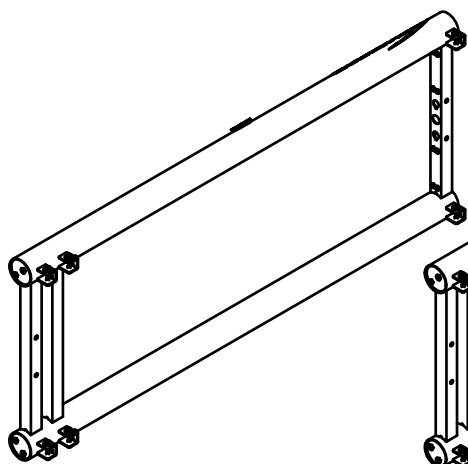


D26.

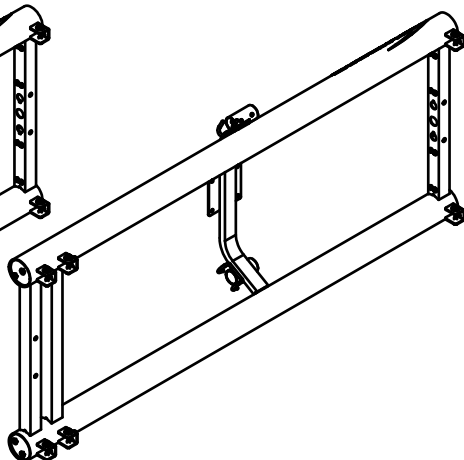


PARTS ILLUSTRATION SHEET

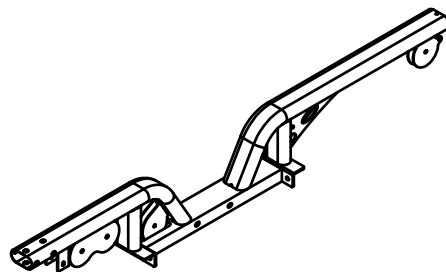
A [1SET]



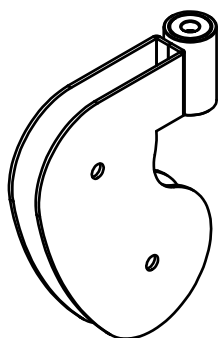
B [1SET]



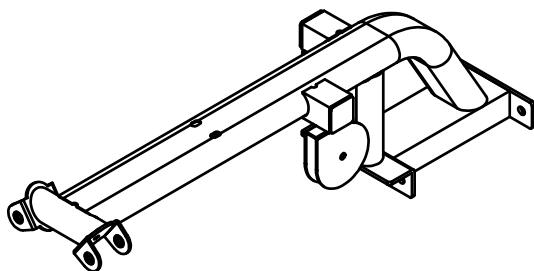
C [1SET]



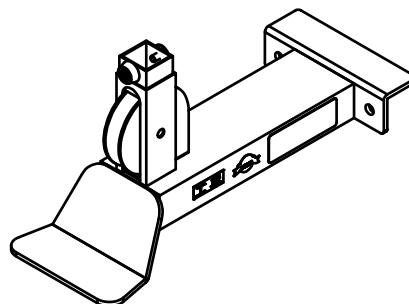
D [1SET]



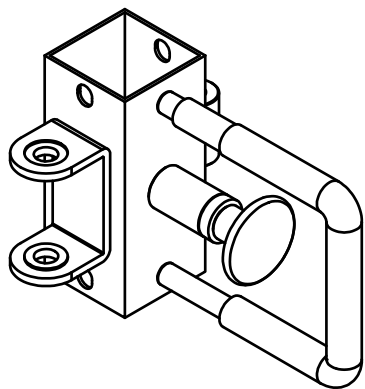
E [1SET]



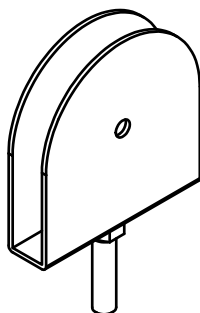
F [1SET]



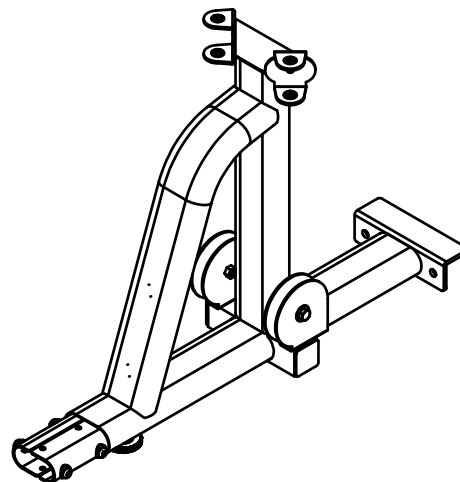
G1 [1SET]
280272



H [1SET]

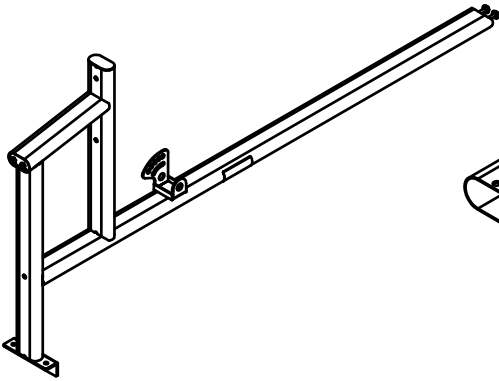


I [1SET]

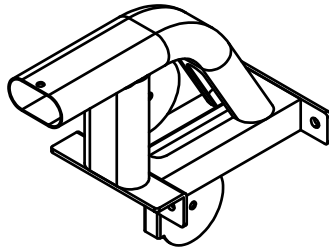


PARTS ILLUSTRATION SHEET

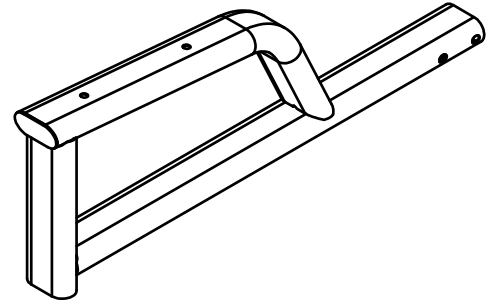
J [1SET]



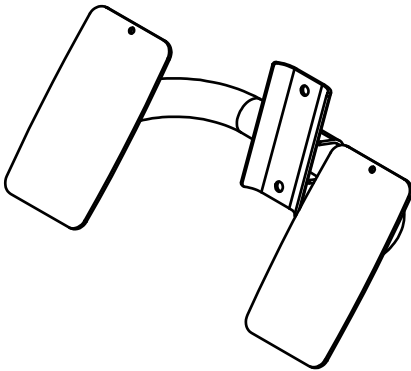
K1 [1SET]



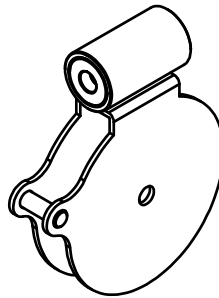
L [1SET]



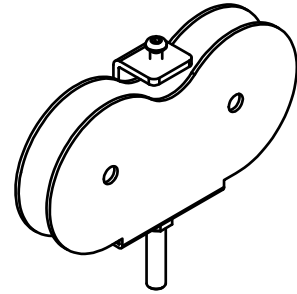
M1 [1SET]



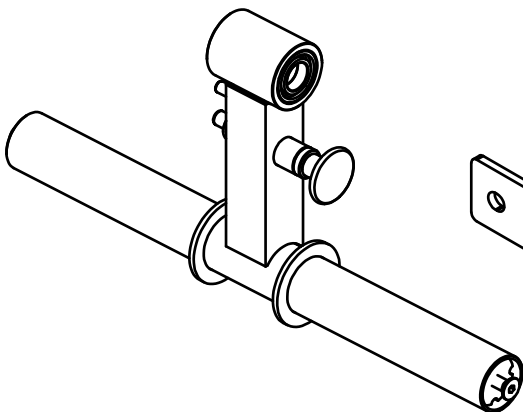
N [4SET]



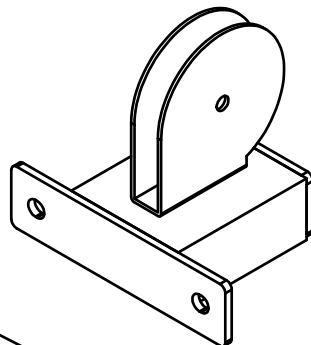
O [1SET]



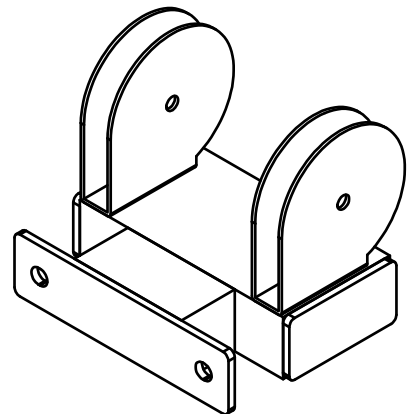
P [1SET]



Q [1SET]

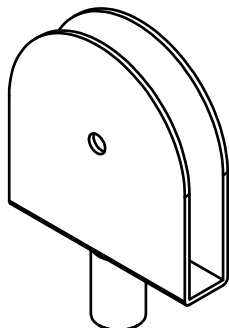


R [1SET]

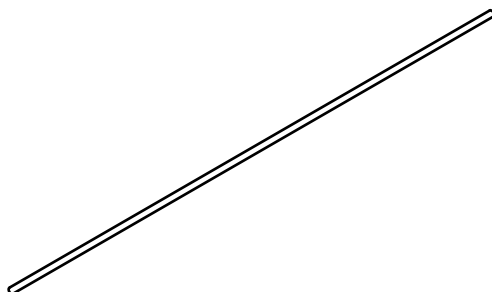


PARTS ILLUSTRATION SHEET

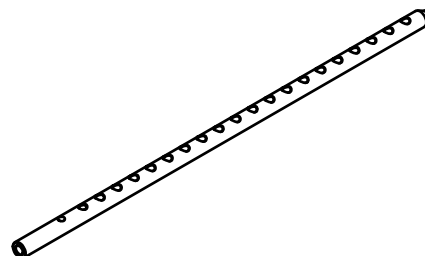
S [1SET]



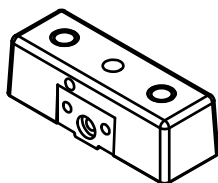
T [8PCS]
8280-014
Ø3/4"X1800L



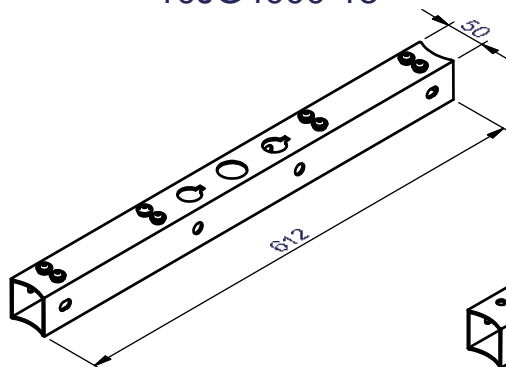
U1 [4SET]
8210-216
Ø3/4"X596L



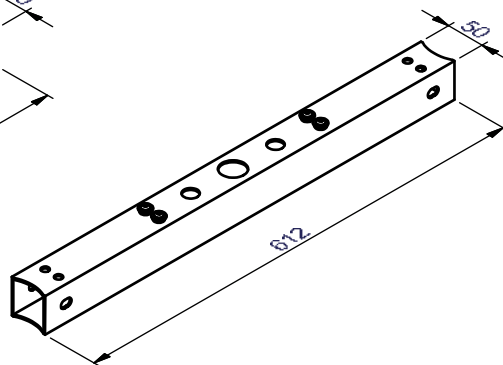
V [4SET]
8400-033



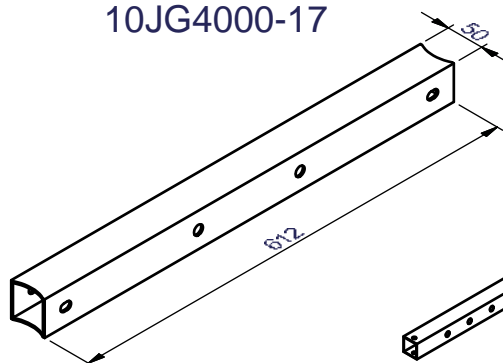
W [2SET]
10JG4000-15



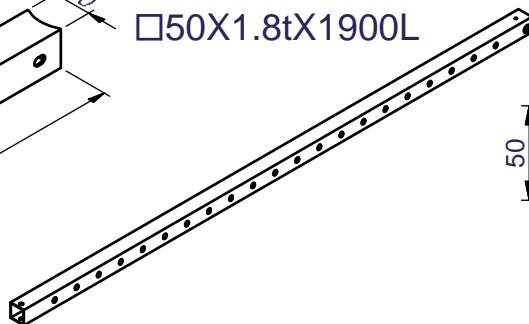
X [2SET]
10JG4000-16



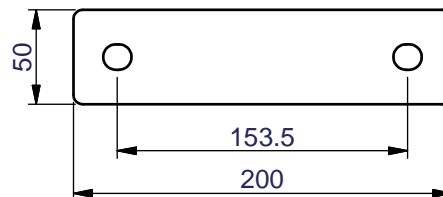
Y [2SET]
10JG4000-17



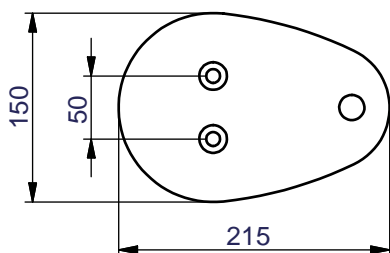
Z [1SET]
260545
□50X1.8tX1900L



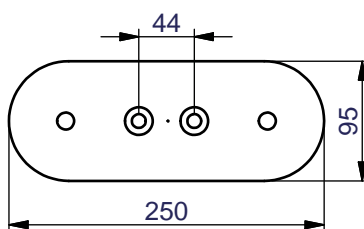
AA [5PCS]
8312-077



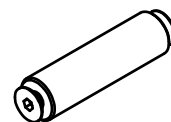
AB[4PCS]
8343-324



AC[2PCS]
8313-188

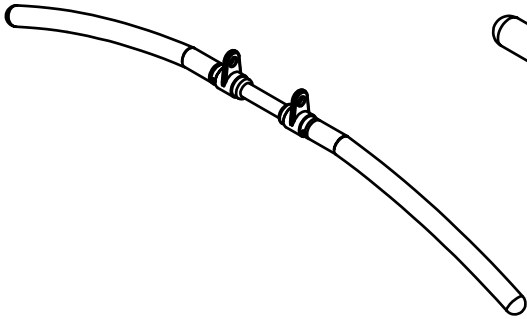


AD[1SET]
8220-186
Ø25X87.5L

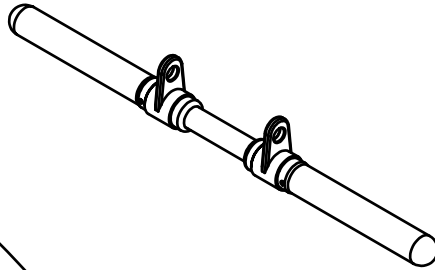


PARTS ILLUSTRATION SHEET

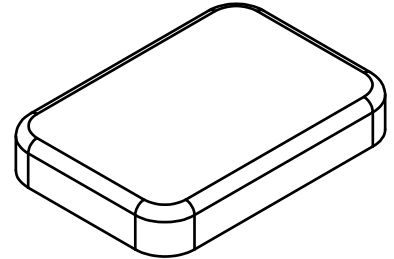
AE [1SET]
20LB1200I



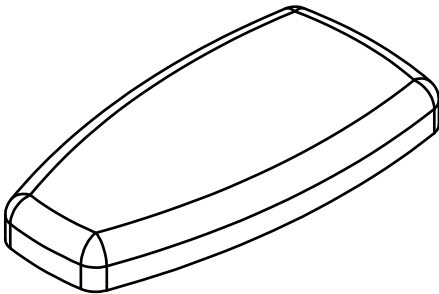
AF [1SET]
20LB600A



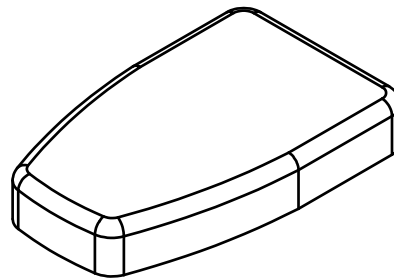
AG [1SET]
9111-097



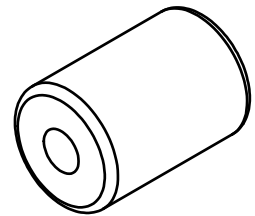
AH [1SET]
9121-111



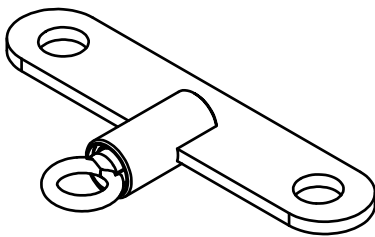
AI [1SET]
9121-107



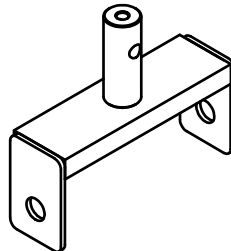
AJ1 [2SET]
9161-078



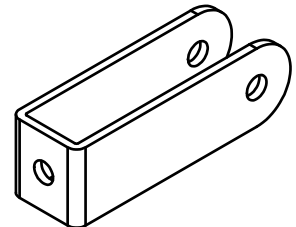
AK [2SET]
6640-023



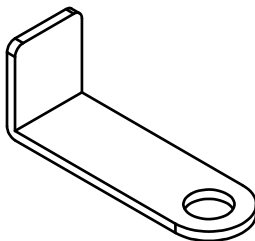
AL [1SET]
20JG4000-U



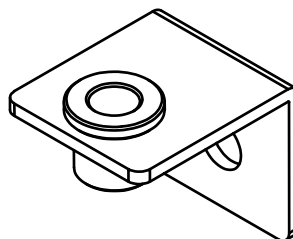
AN [1PCS]
8321-071



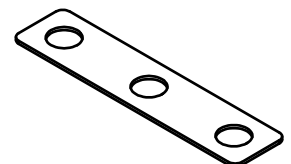
AO [1SET]
8331-015



AP [1SET]
8331-082



AQ [4PCS]
8311-194

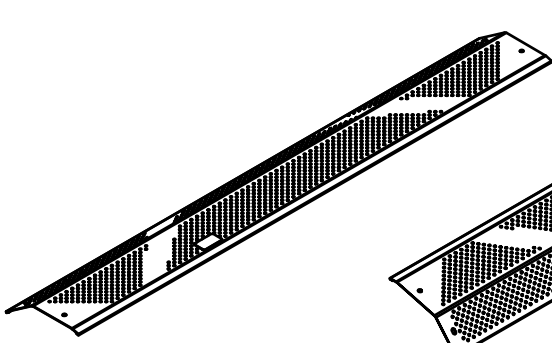


JGC ASSEMBLY INSTRUCTIONS

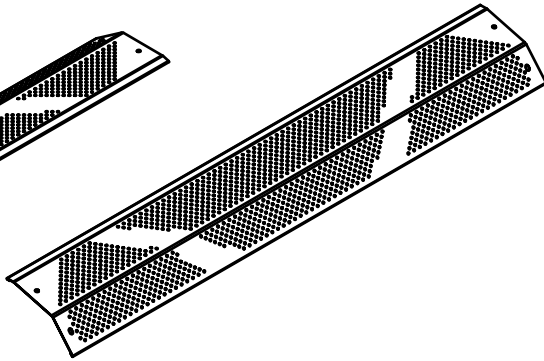
PARTS ILLUSTRATION SHEET

JGC is collocated in JG4000S, JG5000S, JG8000S

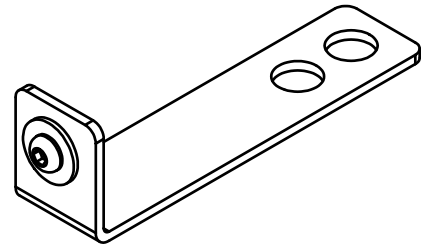
AAA [4SET]
8380-076



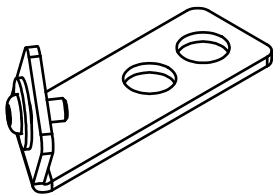
AAB [4SET]
8380-076



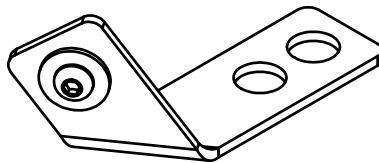
AAC [16SET]
8331-070



AAD [8SET]
8331-072



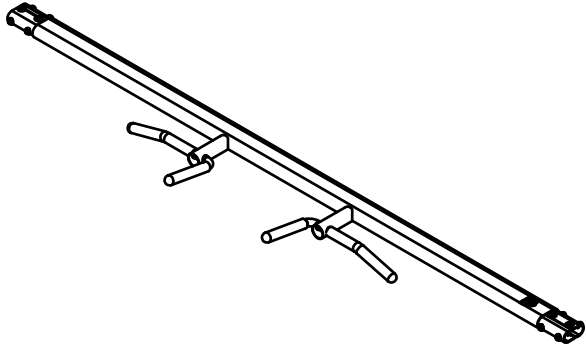
AAE [8SET]
8331-073



PARTS ILLUSTRATION SHEET

JG is collocated in JG2000, JG5000(S), JG8000(S)

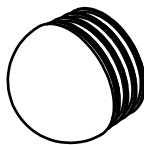
BA[1SET]



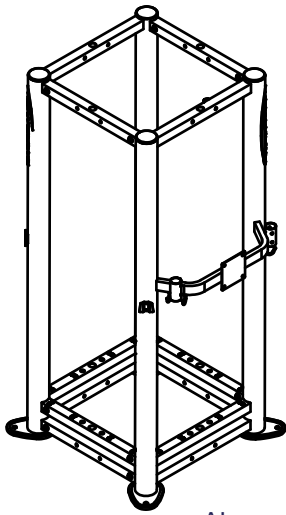
HARDWARE ILLUSTRATION

DD1.Ø49.5X43L CAP COVER(9211-074)----- [2PCS]

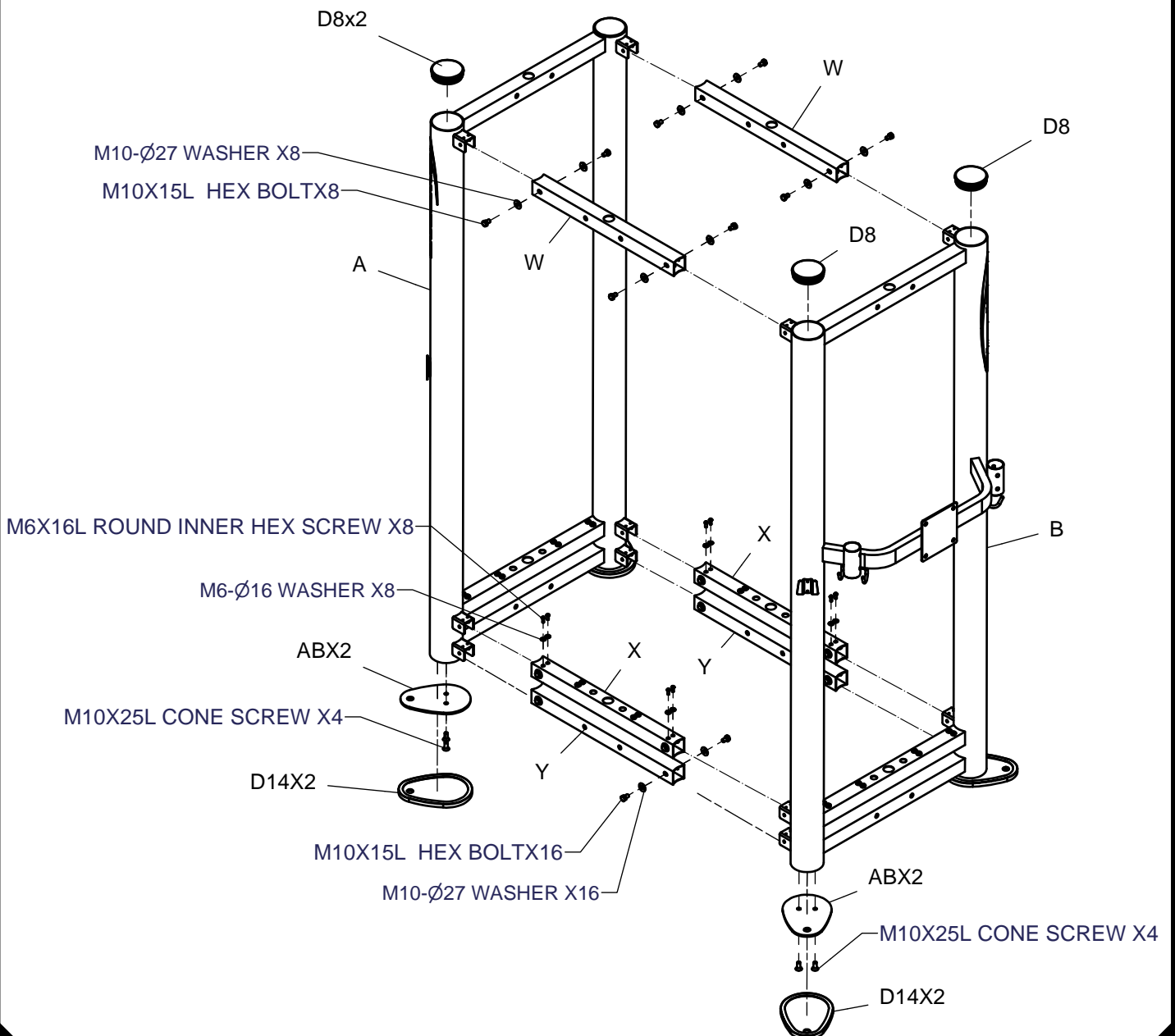
DD1.



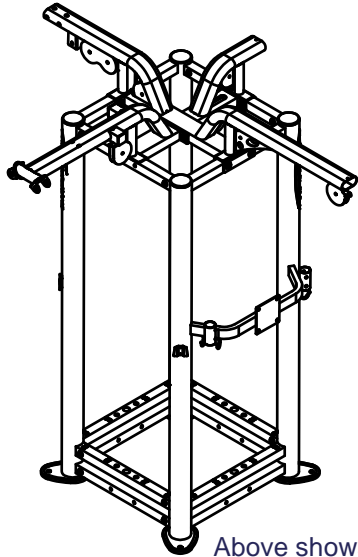
JG4000 ASSEMBLY INSTRUCTIONS



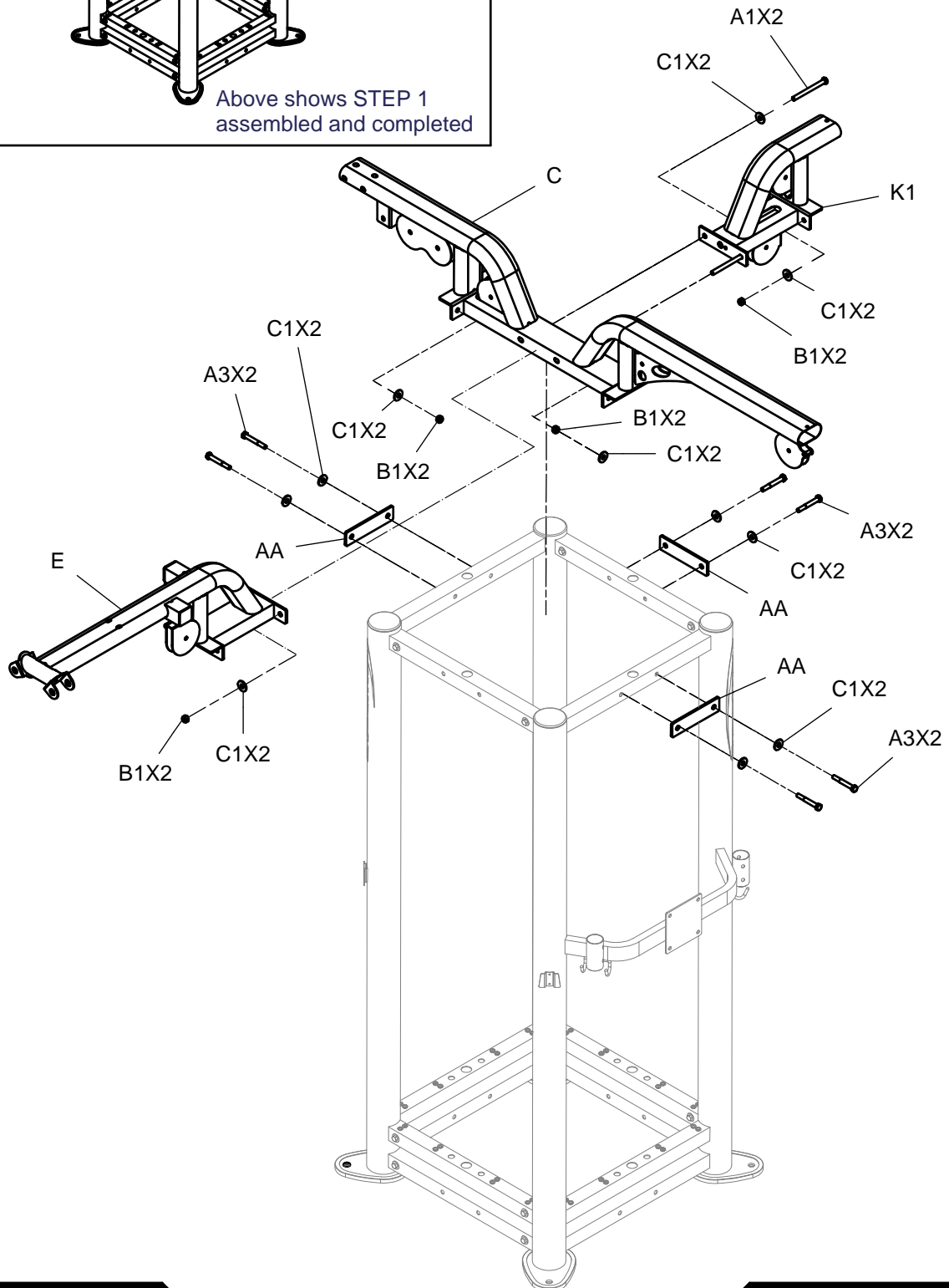
Above shows STEP 1 assembled and completed



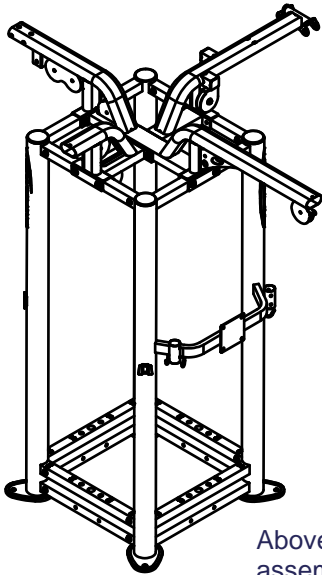
JG4000 ASSEMBLY INSTRUCTIONS



Above shows STEP 1 assembled and completed

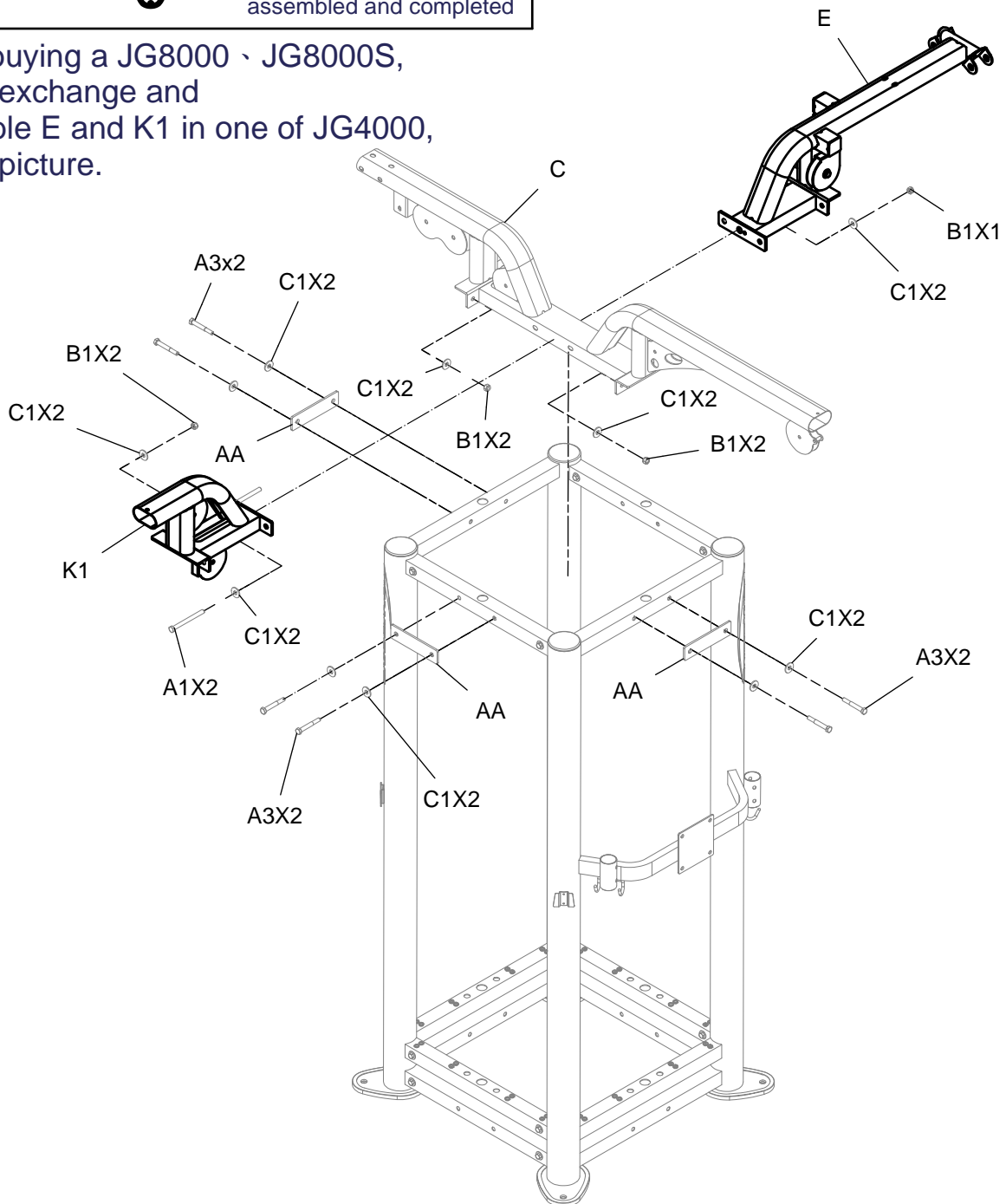


JG4000 ASSEMBLY INSTRUCTIONS

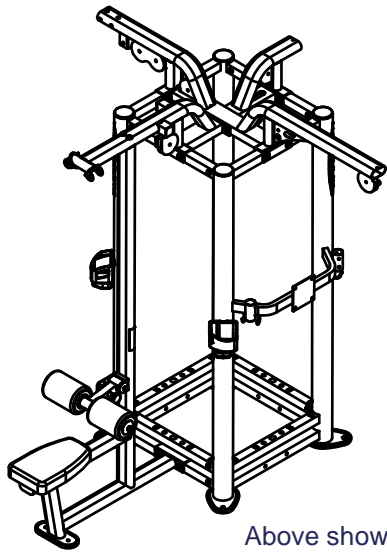


Above shows STEP 1.1 assembled and completed

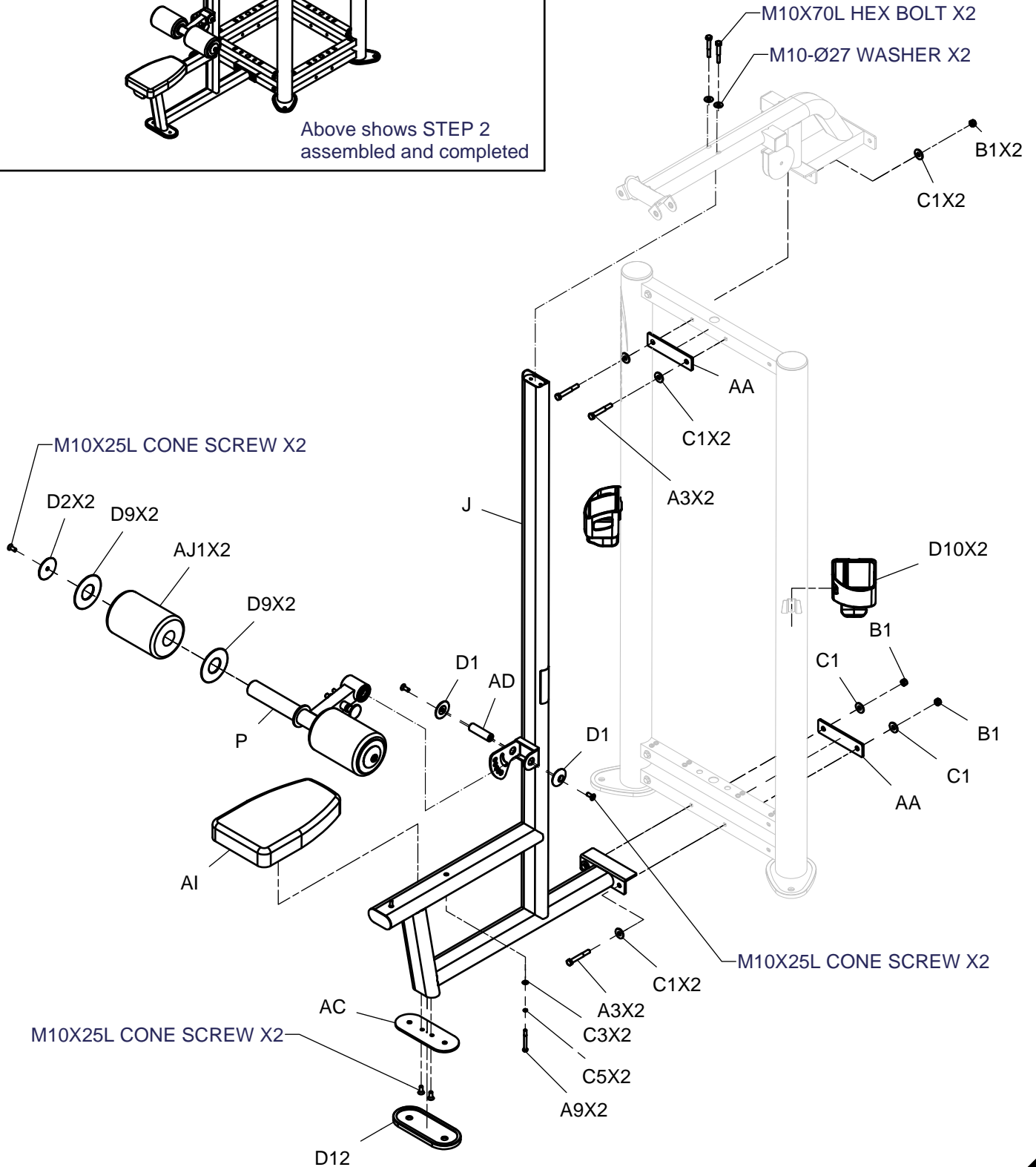
When buying a JG8000 · JG8000S, please exchange and assemble E and K1 in one of JG4000, see as picture.



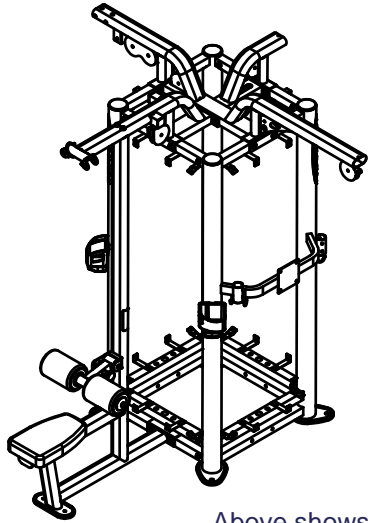
JG4000 ASSEMBLY INSTRUCTIONS



Above shows STEP 2 assembled and completed

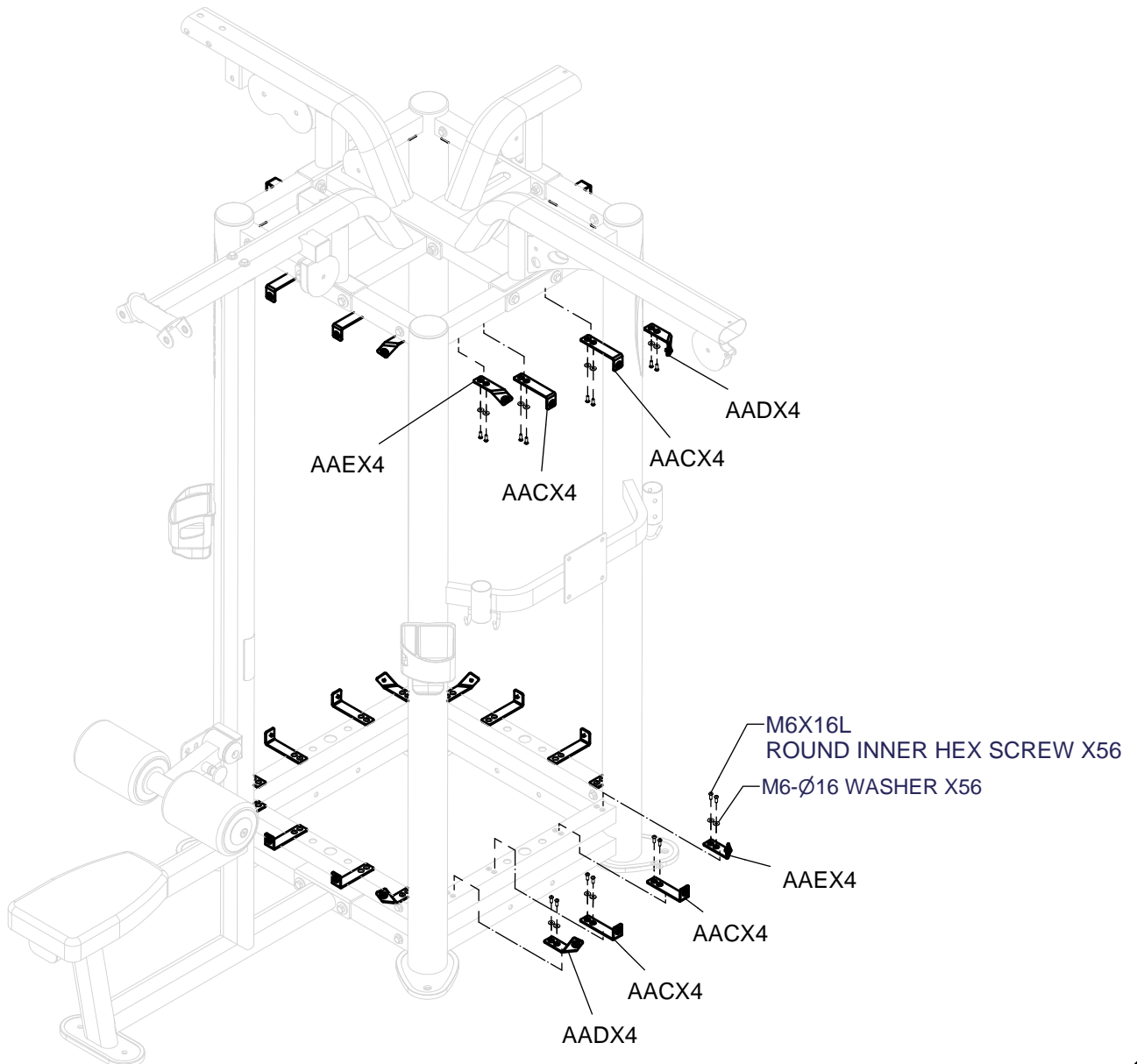


JG4000 ASSEMBLY INSTRUCTIONS

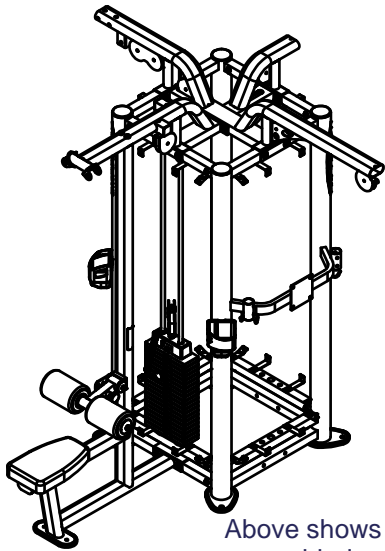


Above shows STEP 2.1 assembled and completed

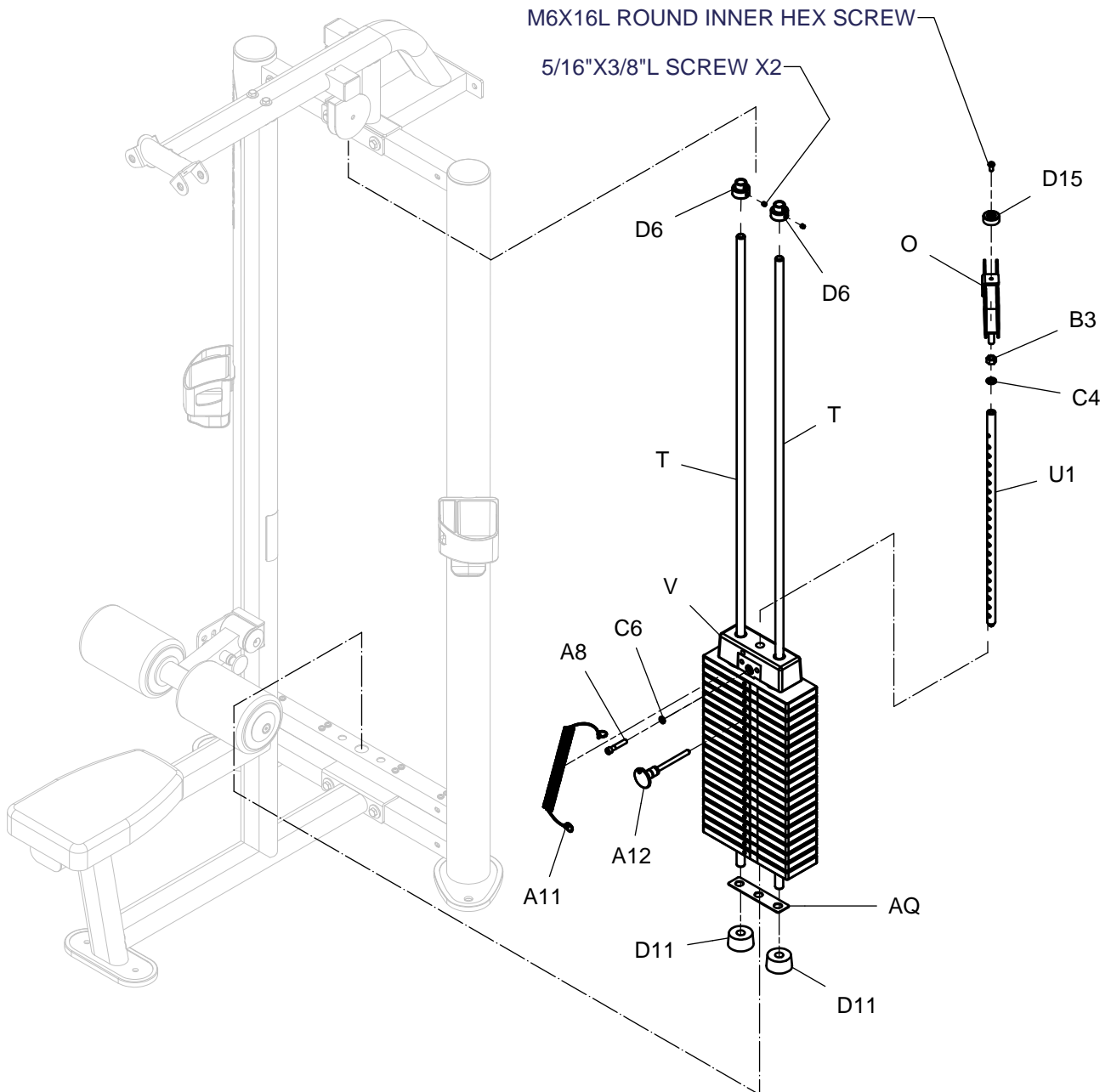
When buying a JGC,
JGC is collocated in JG4000S, JG5000S, JG8000S



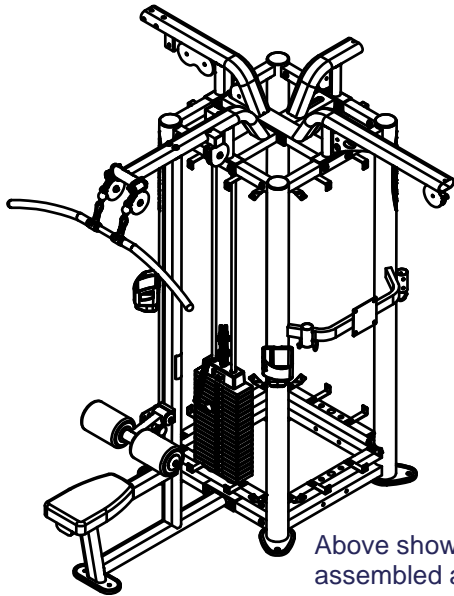
JG4000 ASSEMBLY INSTRUCTIONS



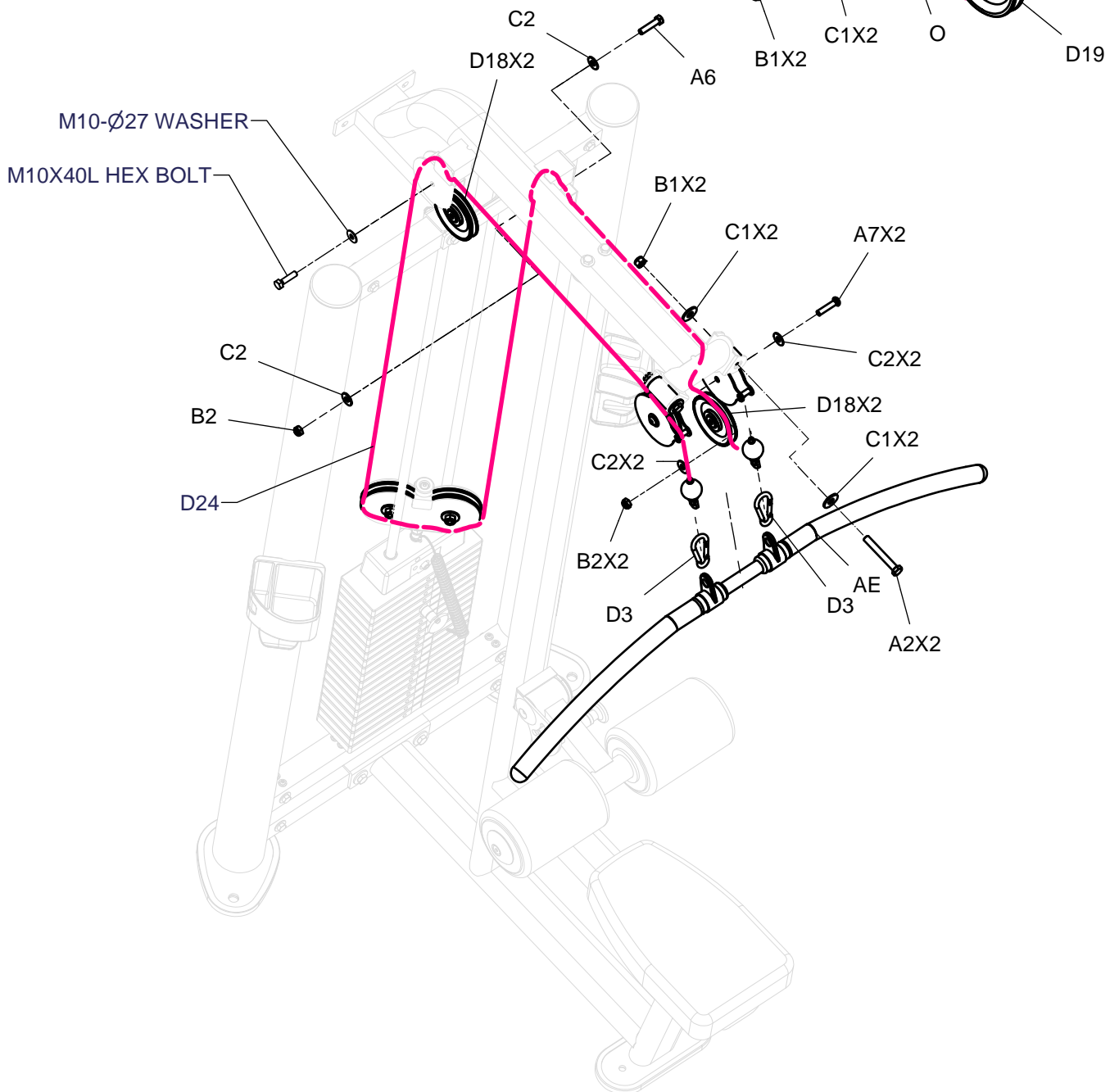
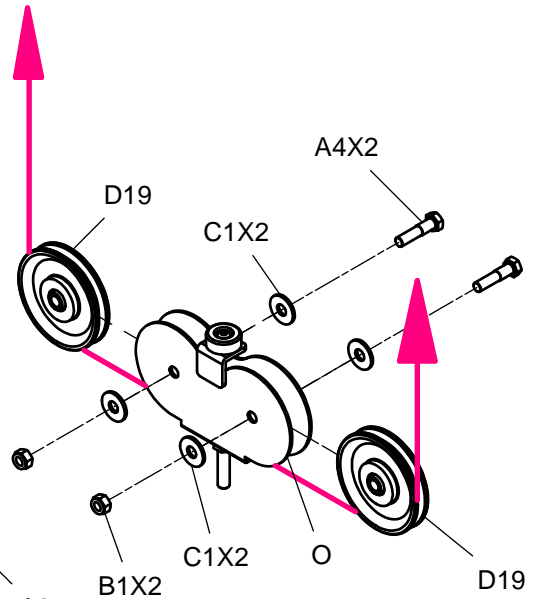
Above shows STEP 3 assembled and completed



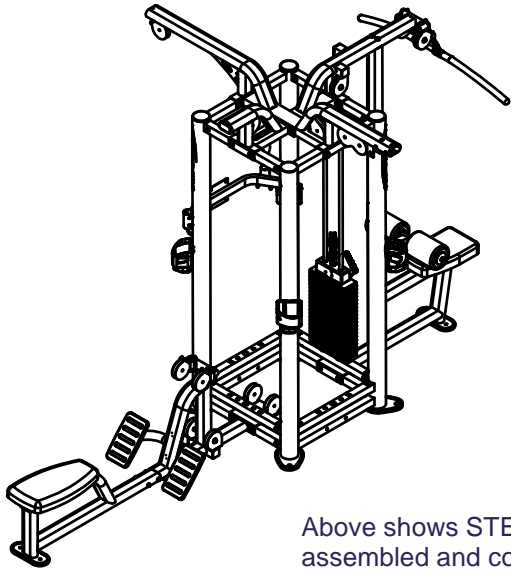
JG4000 ASSEMBLY INSTRUCTIONS



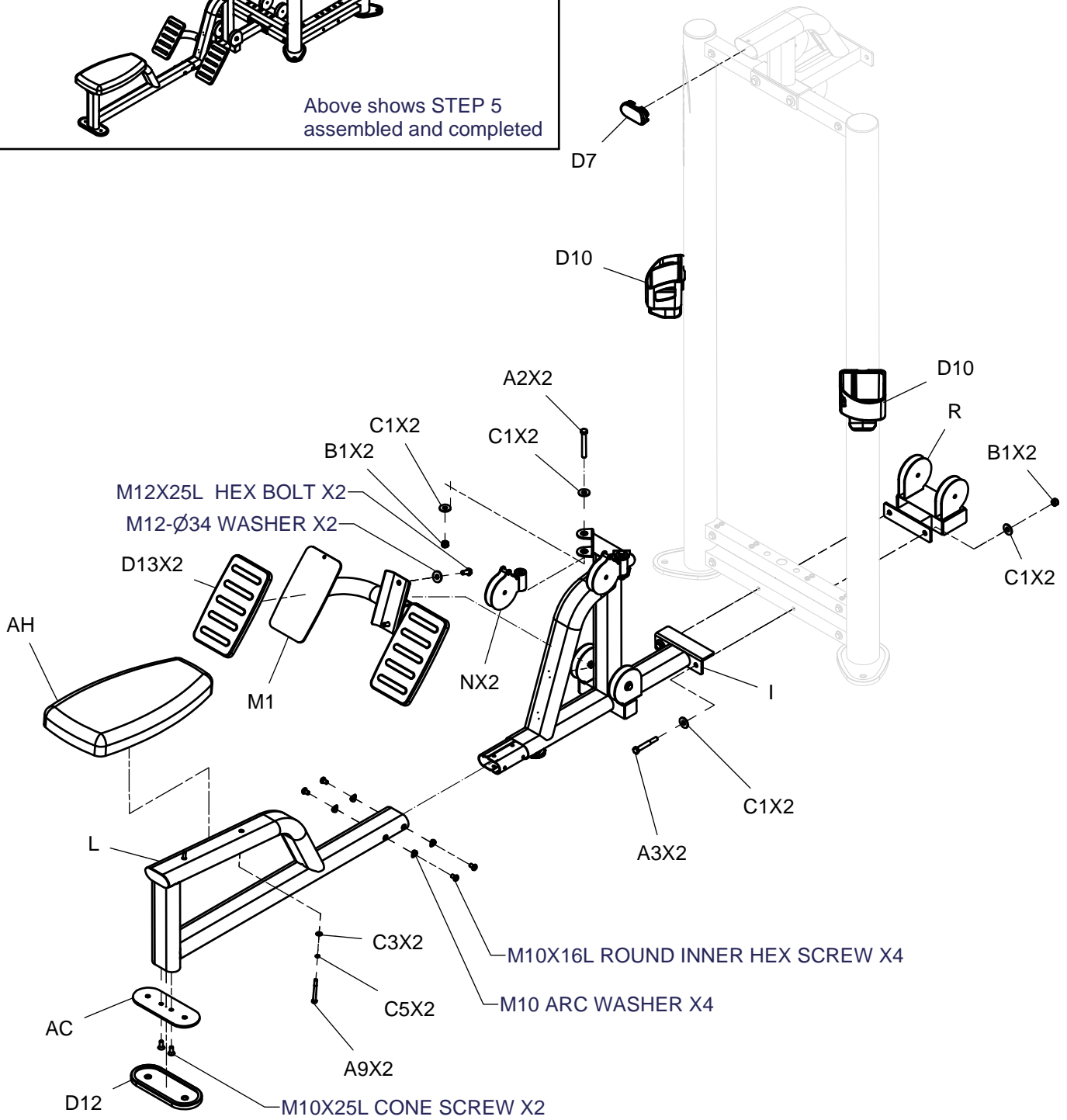
Above shows STEP 4 assembled and completed



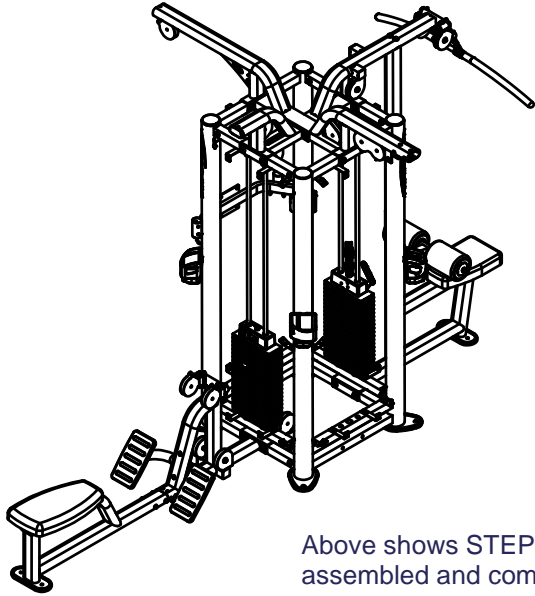
JG4000 ASSEMBLY INSTRUCTIONS



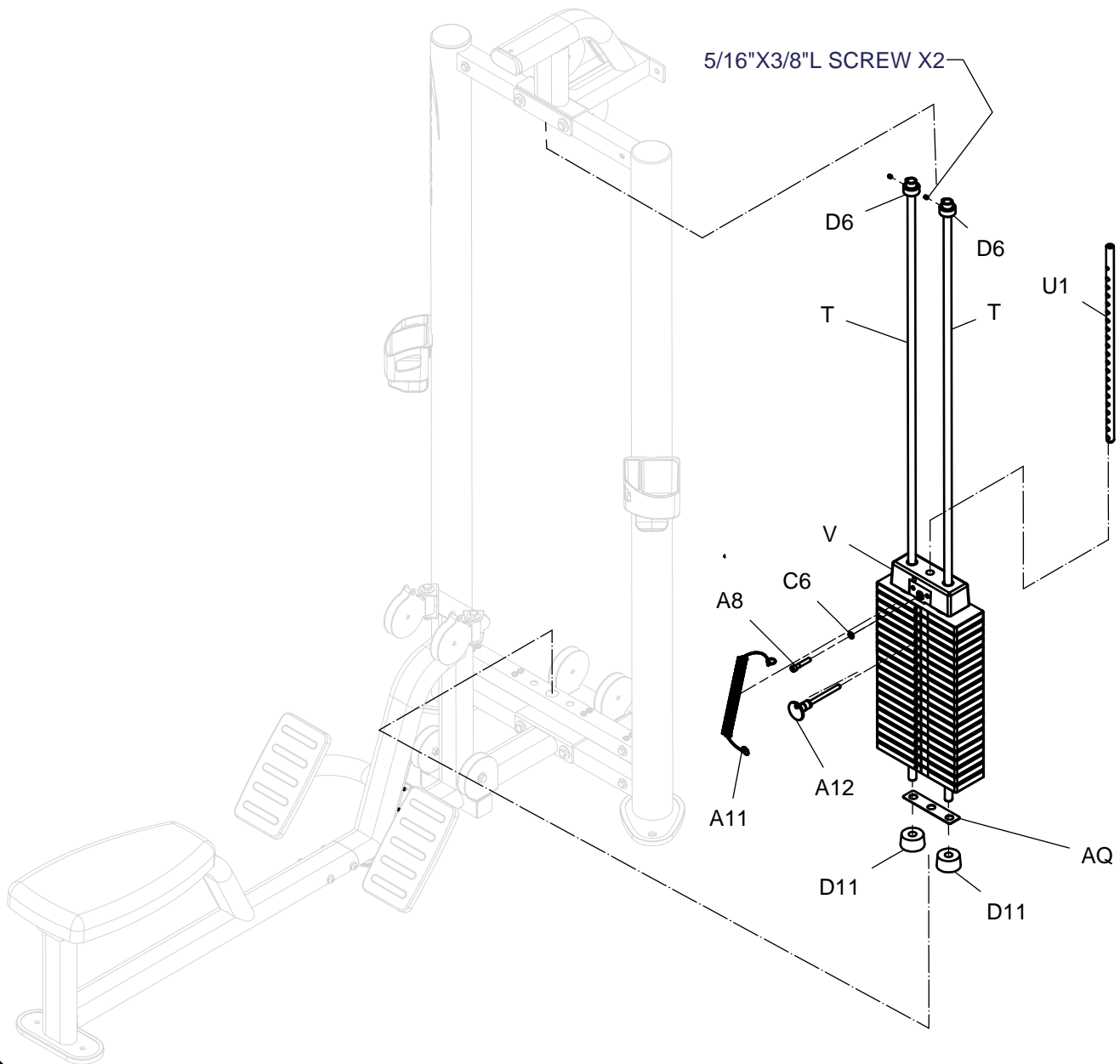
Above shows STEP 5 assembled and completed



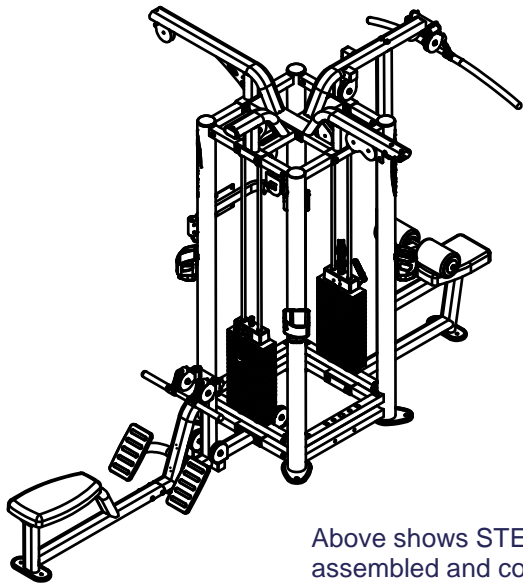
JG4000 ASSEMBLY INSTRUCTIONS



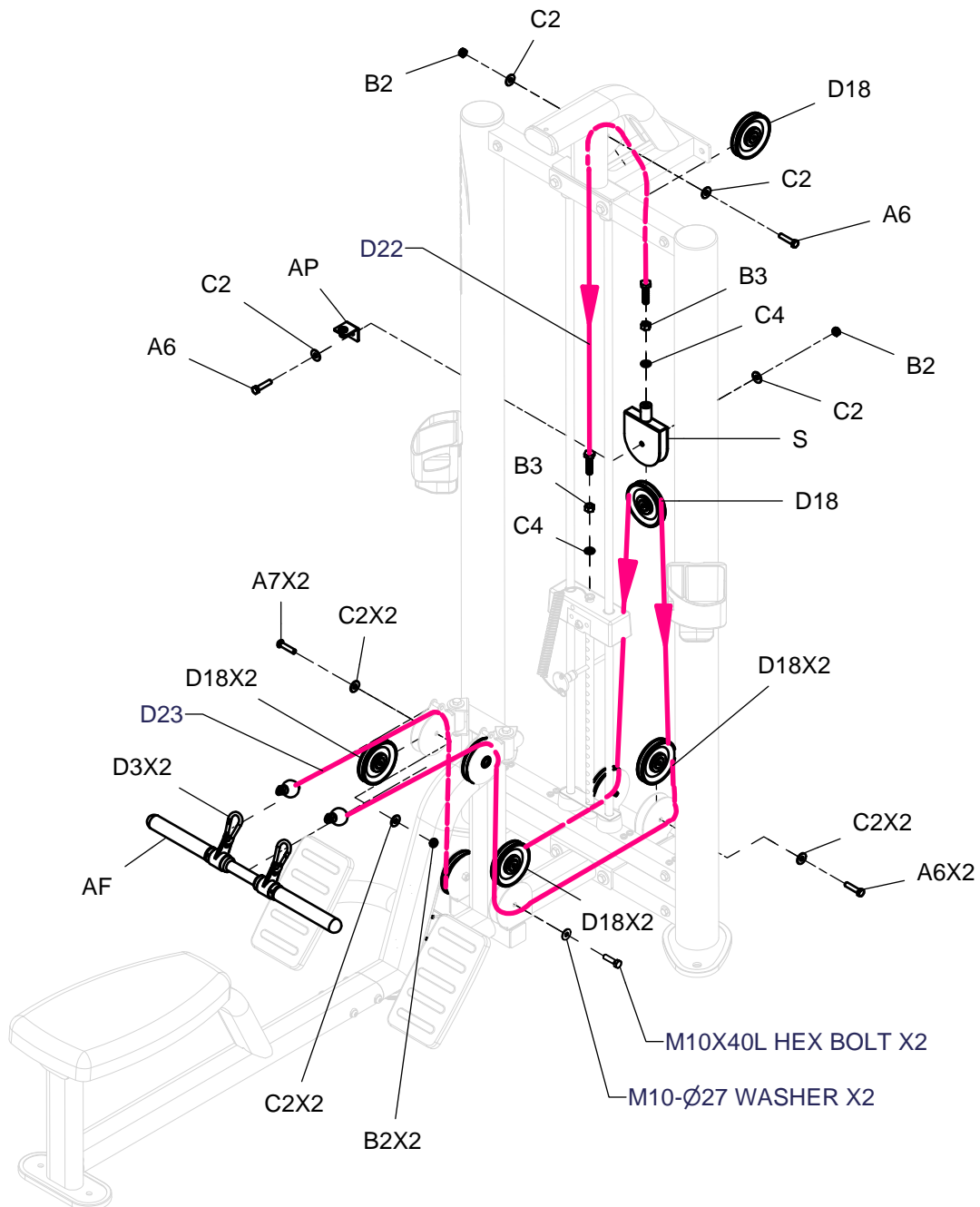
Above shows STEP 6 assembled and completed



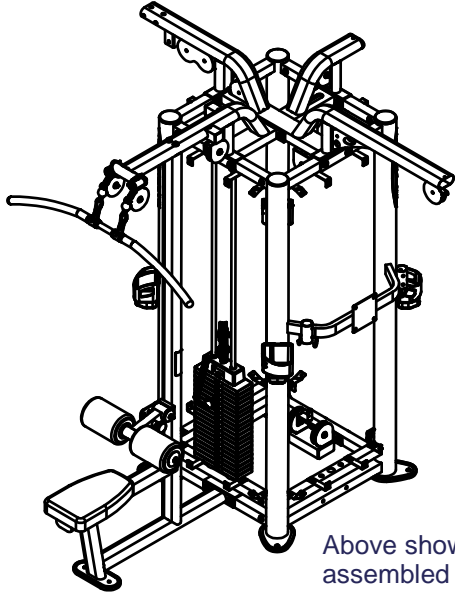
JG4000 ASSEMBLY INSTRUCTIONS



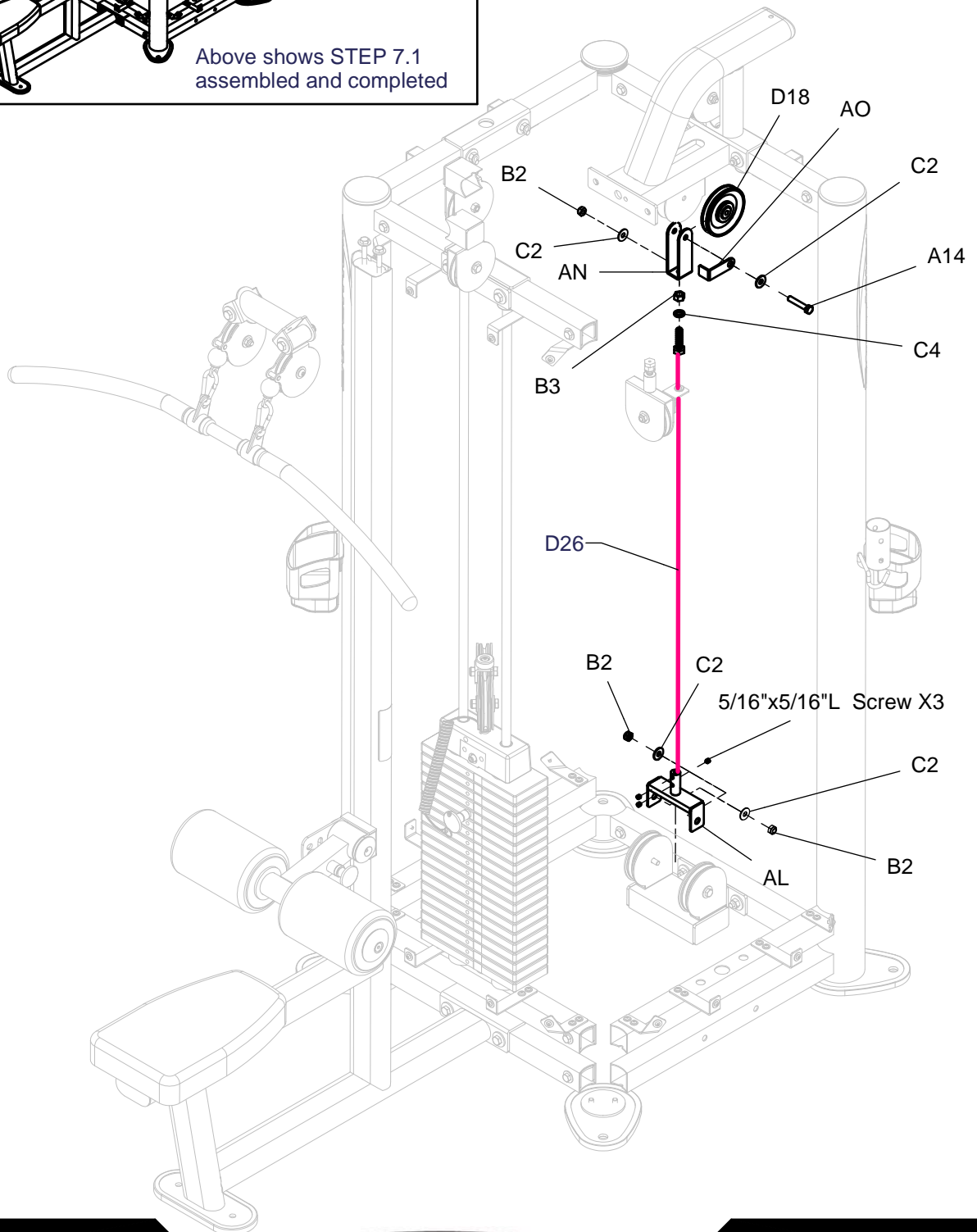
Above shows STEP 7 assembled and completed



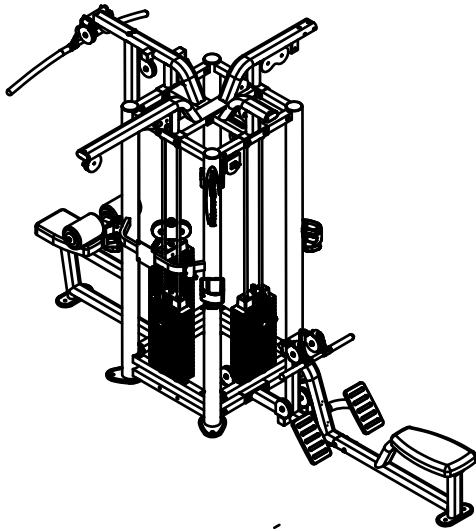
JG4000 ASSEMBLY INSTRUCTIONS



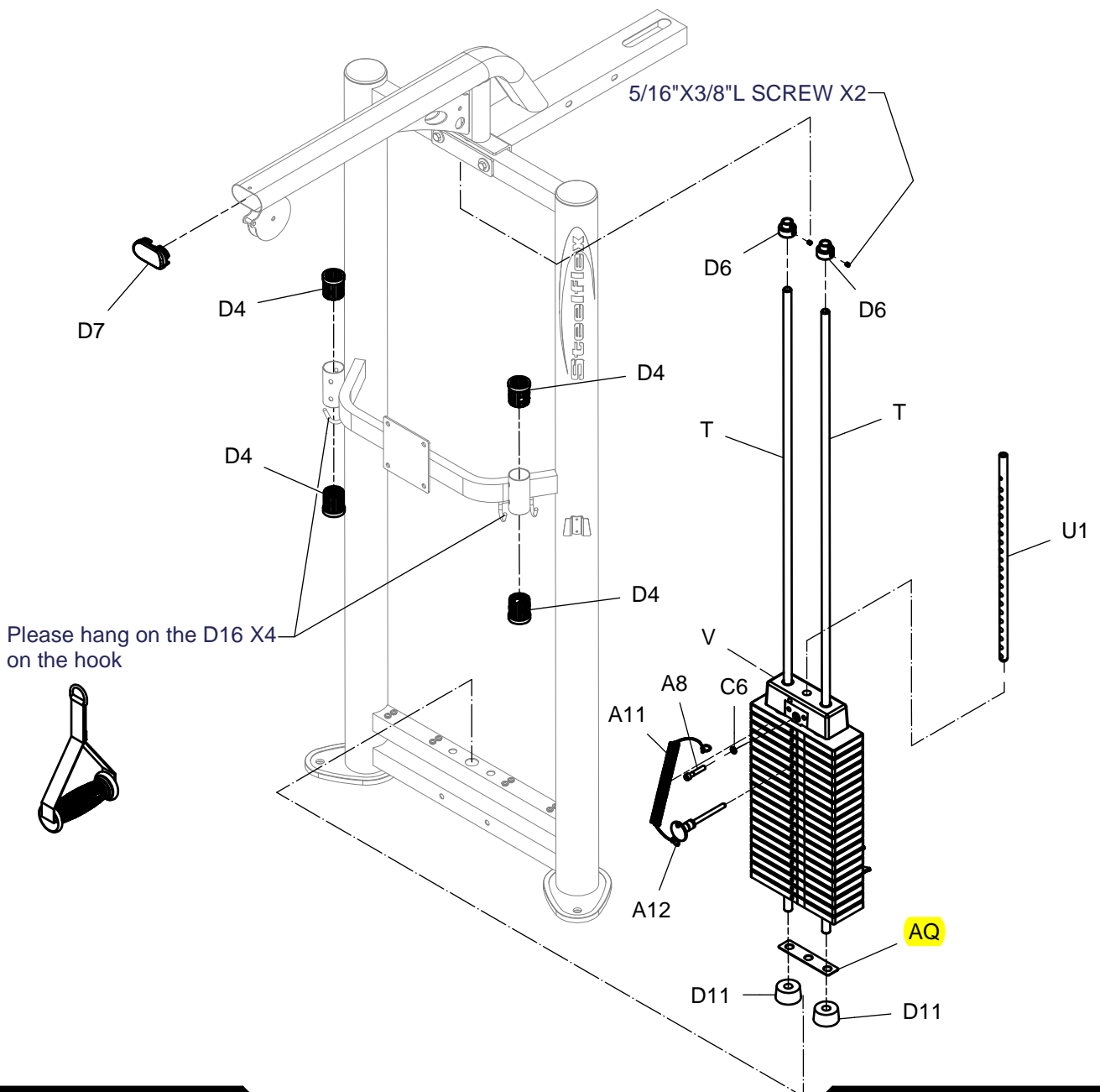
Above shows STEP 7.1 assembled and completed



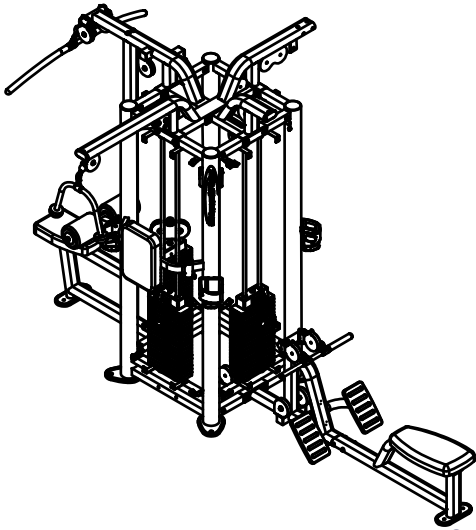
JG4000 ASSEMBLY INSTRUCTIONS



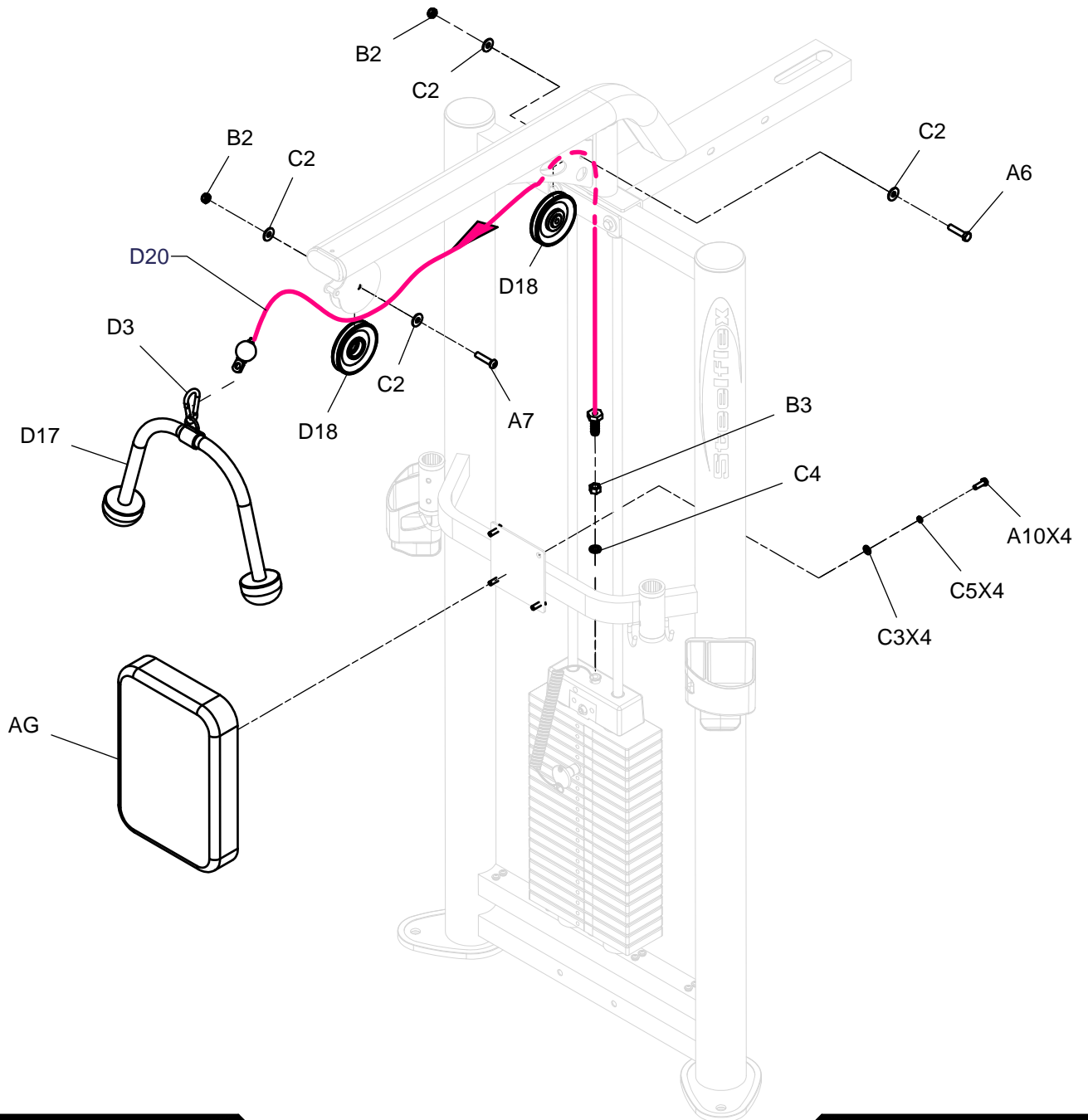
Above shows STEP 8 assembled and completed



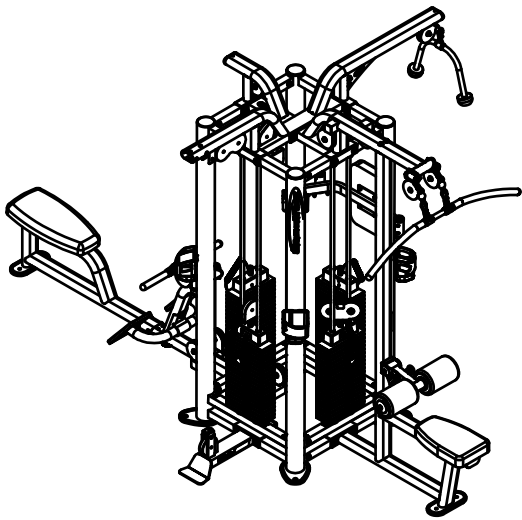
JG4000 ASSEMBLY INSTRUCTIONS



Above shows STEP 9 assembled and completed

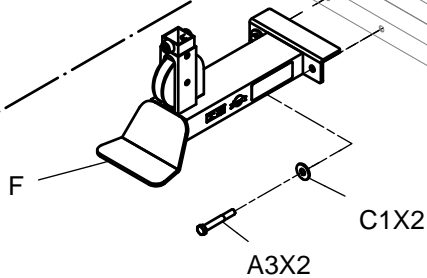
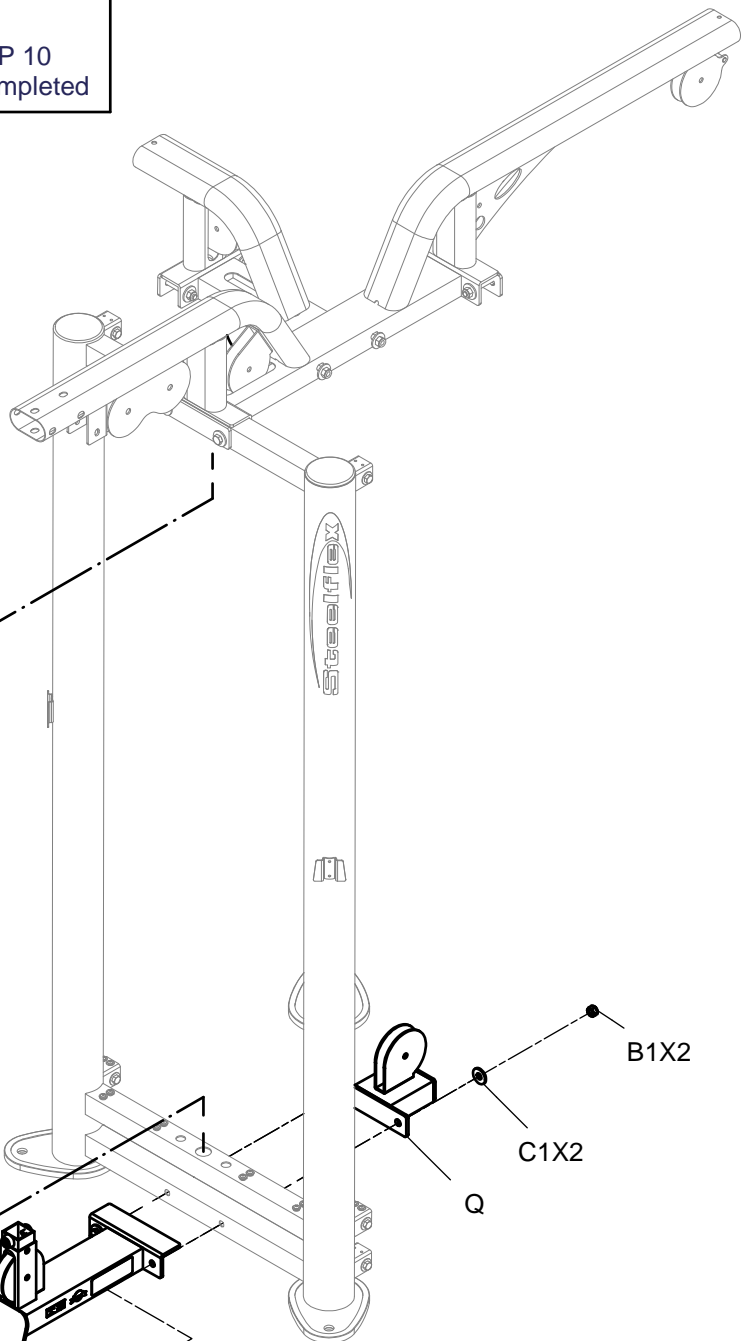
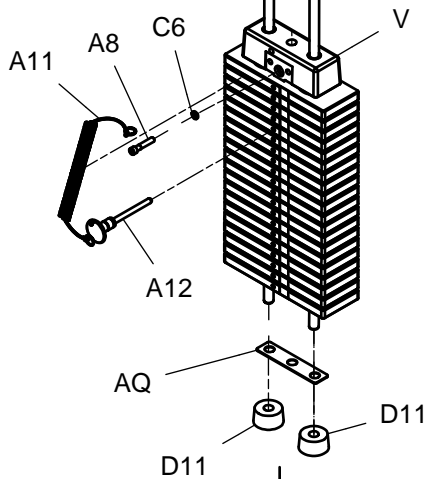
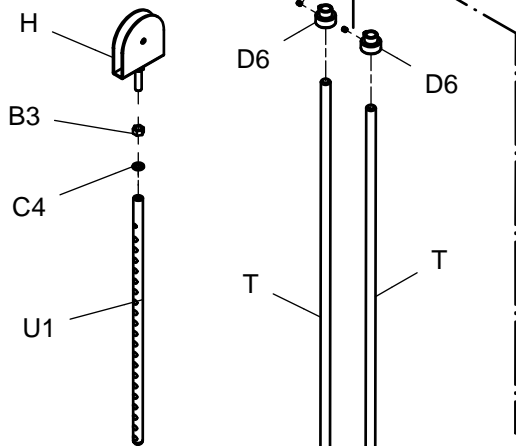


JG4000 ASSEMBLY INSTRUCTIONS

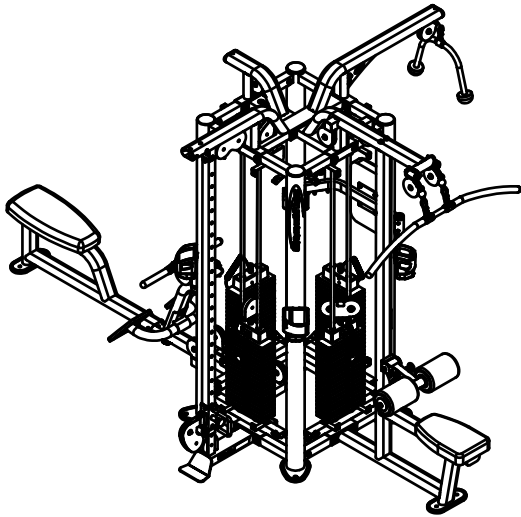


Above shows STEP 10 assembled and completed

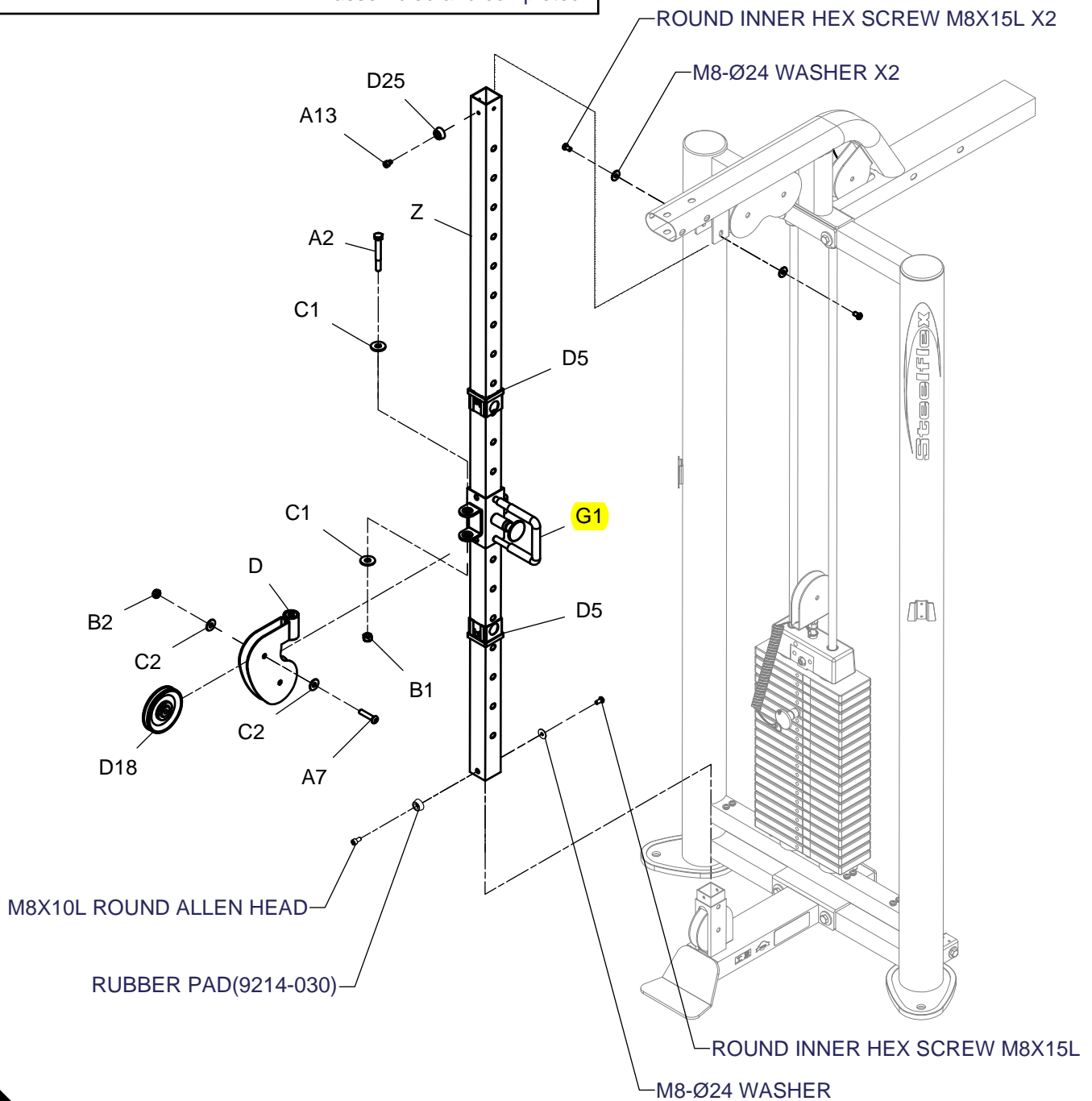
5/16"X3/8"L SCREW X2



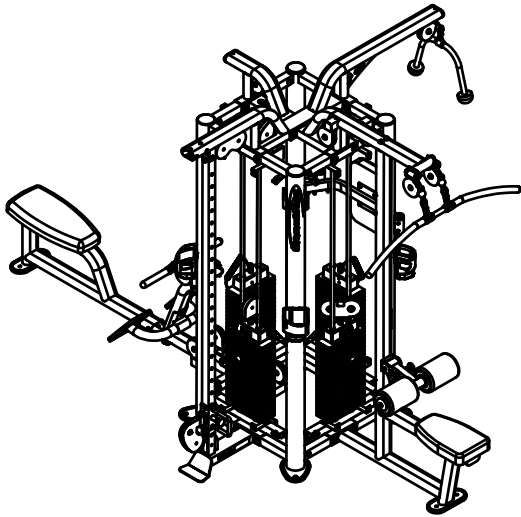
JG4000 ASSEMBLY INSTRUCTIONS



Above shows STEP 11 assembled and completed

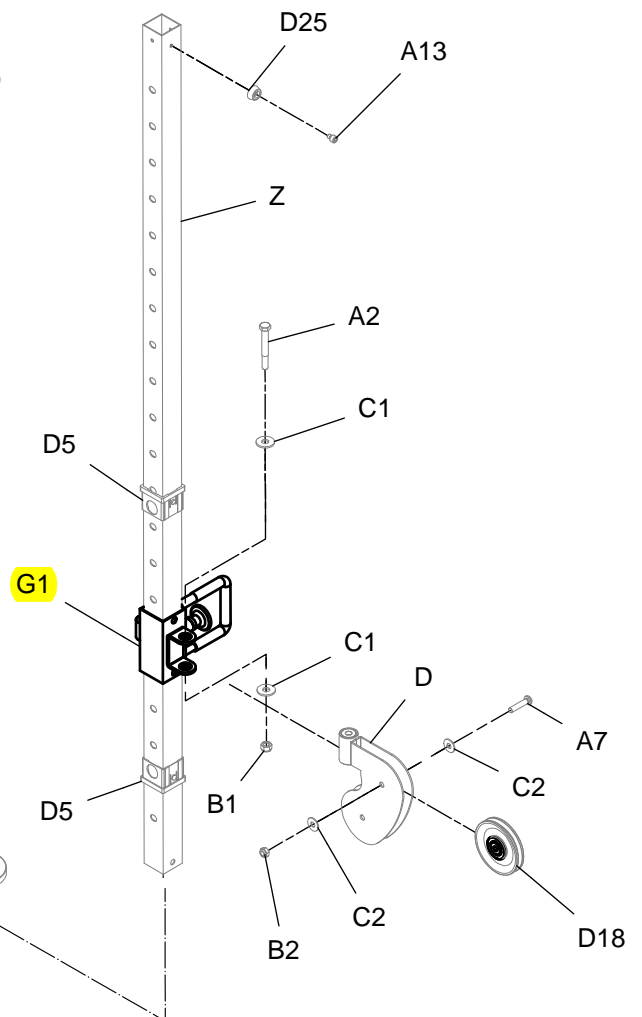
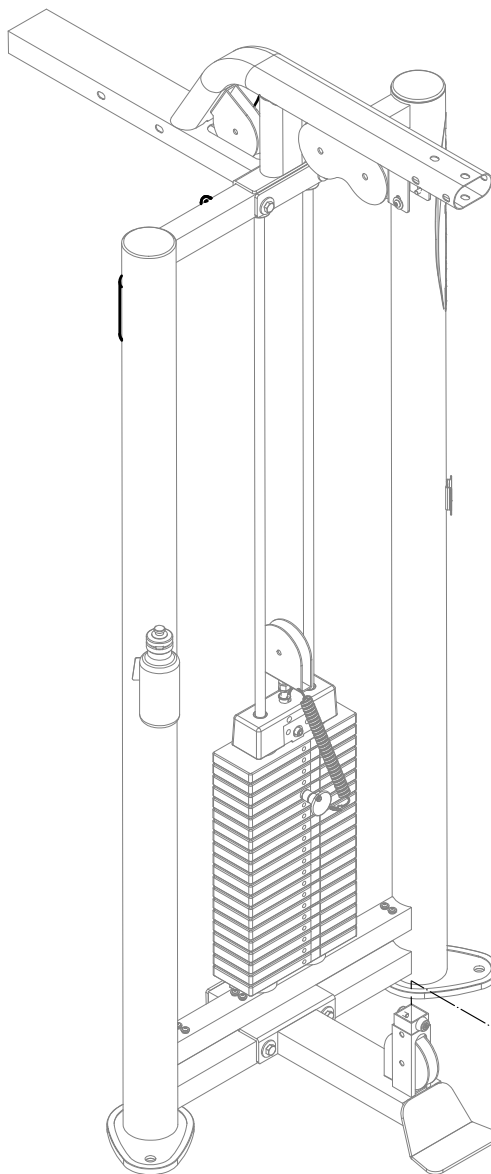


JG4000 ASSEMBLY INSTRUCTIONS

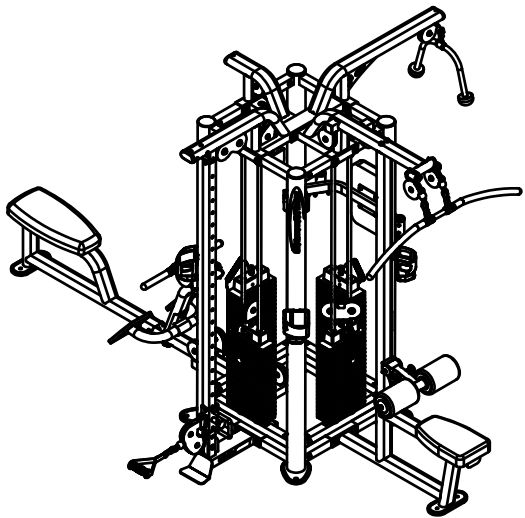


Above shows STEP 11.1
assembled and completed

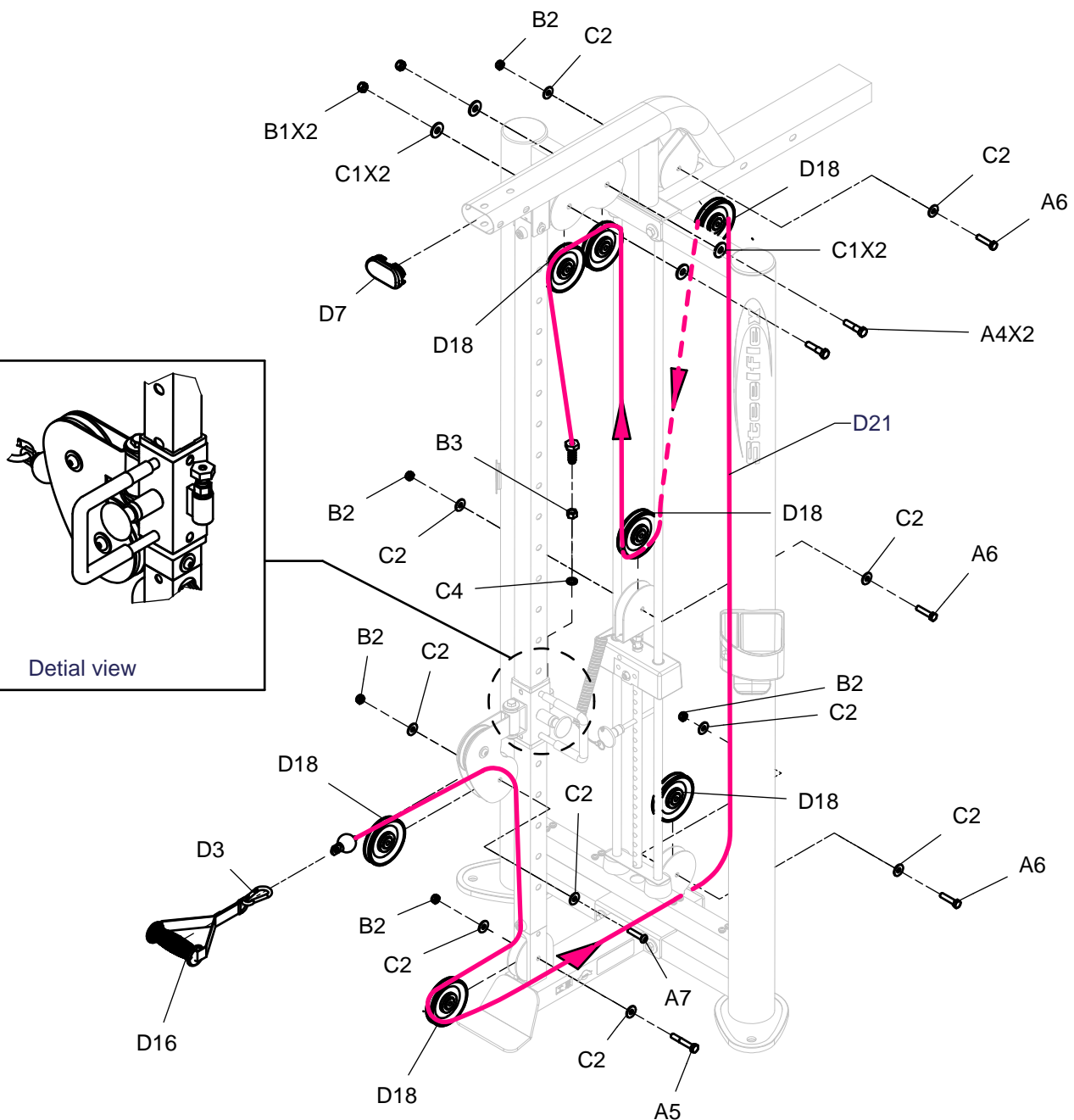
When buying JG8000, JG8000S,
please replace one of the JG4000~G1,
see the following picture



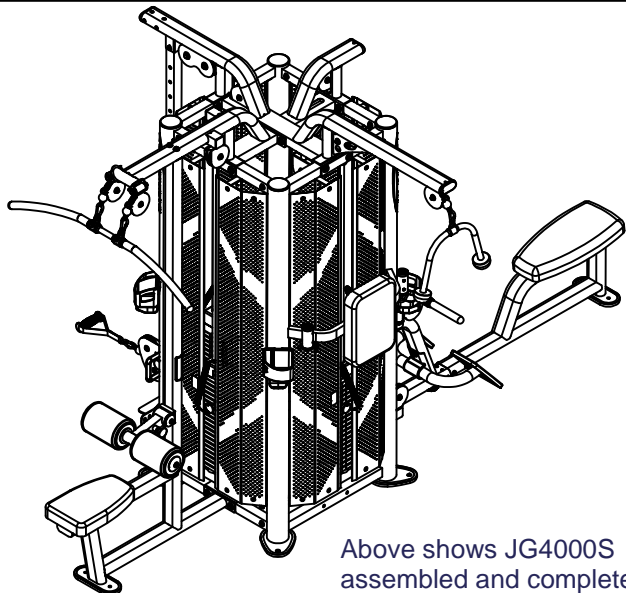
JG4000 ASSEMBLY INSTRUCTIONS



Above shows STEP 12 assembled and completed

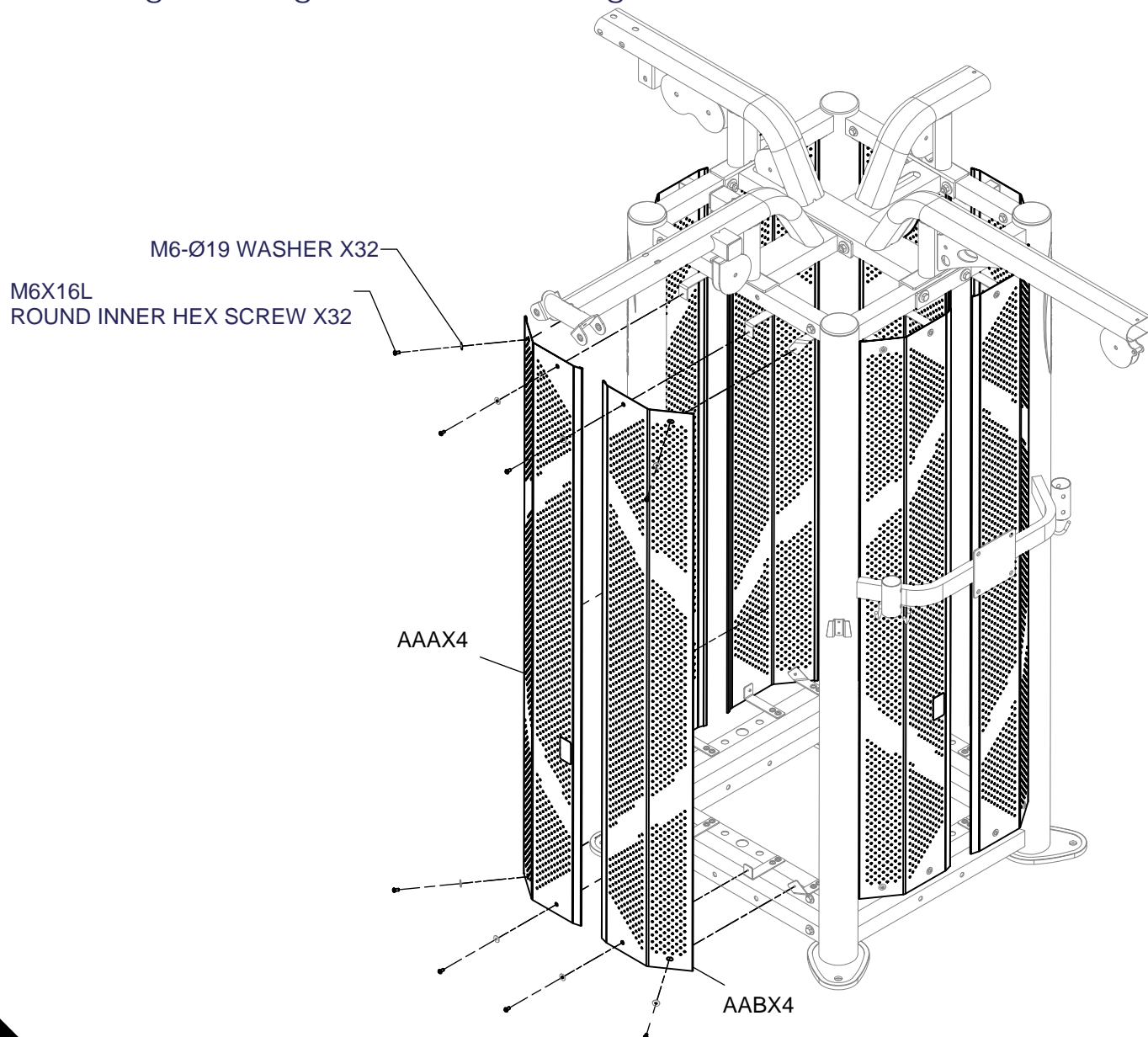


JG4000 ASSEMBLY INSTRUCTIONS

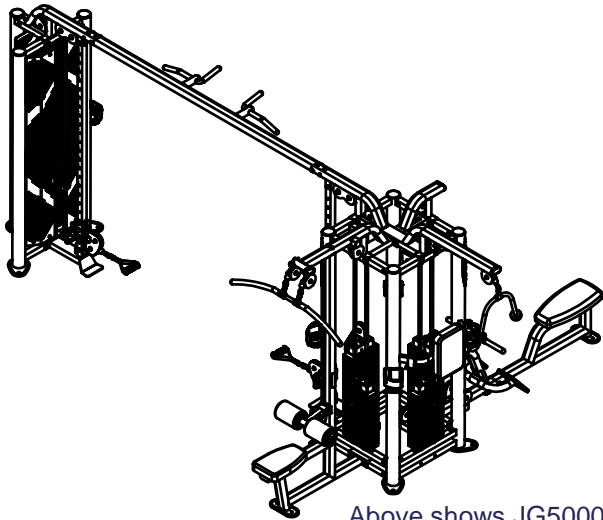


Above shows JG4000S assembled and completed

When buying JG4000S,
following the diagram of assembling

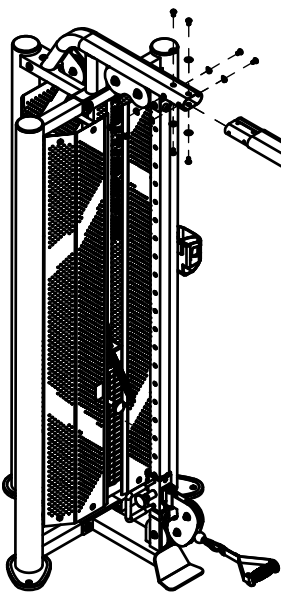
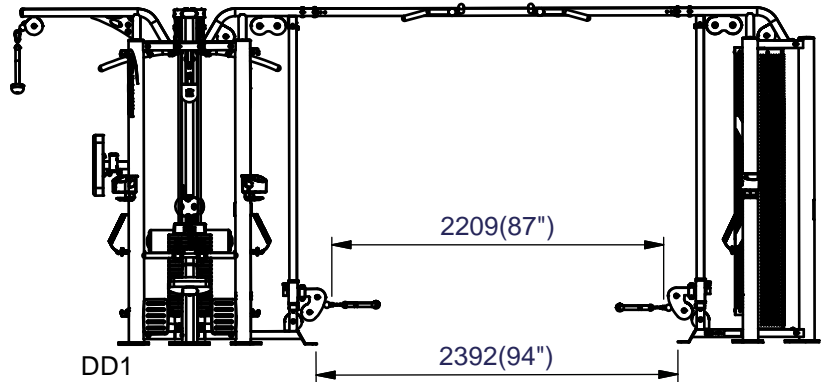


JG4000 ASSEMBLY INSTRUCTIONS



Above shows JG5000 assembled and completed

When buying JG5000, following the diagram of assembling



DD1
BA

DD1

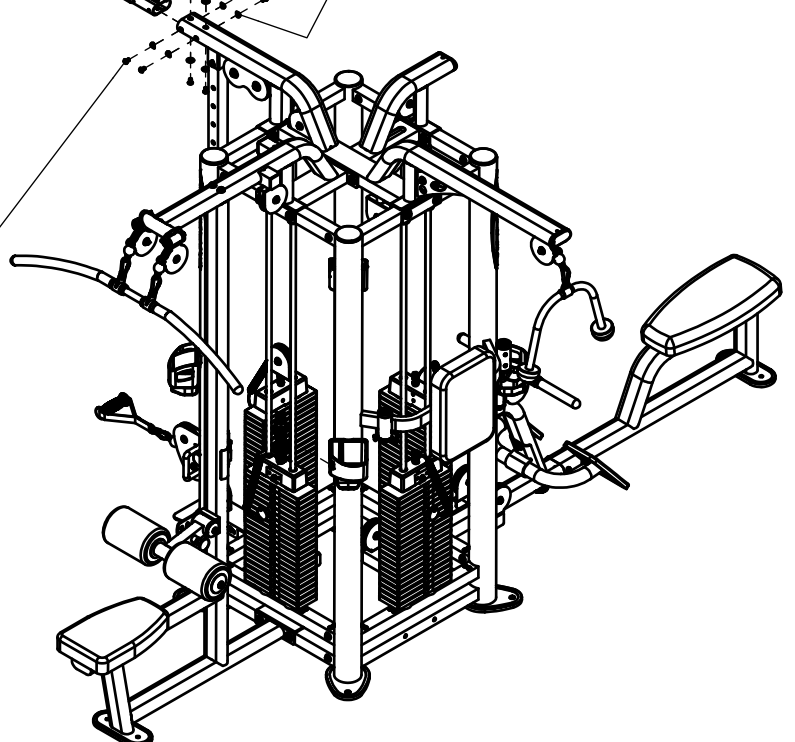
2209(87")

2392(94")

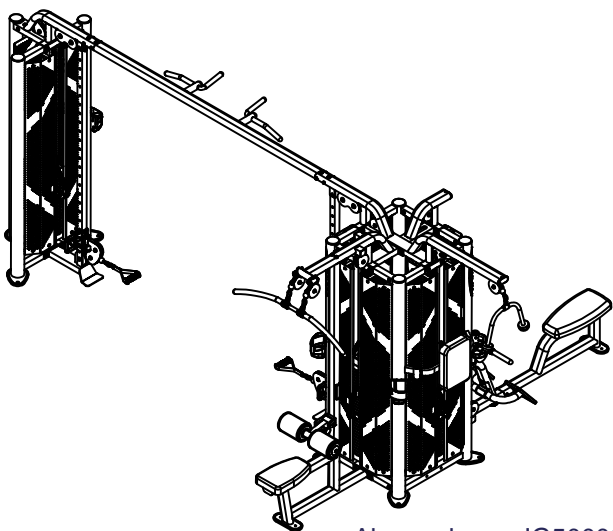
M10-Ø27 WASHER X8

M10 ARC WASHER X8

M10X16 ROUND INNER HEX SCREW X16

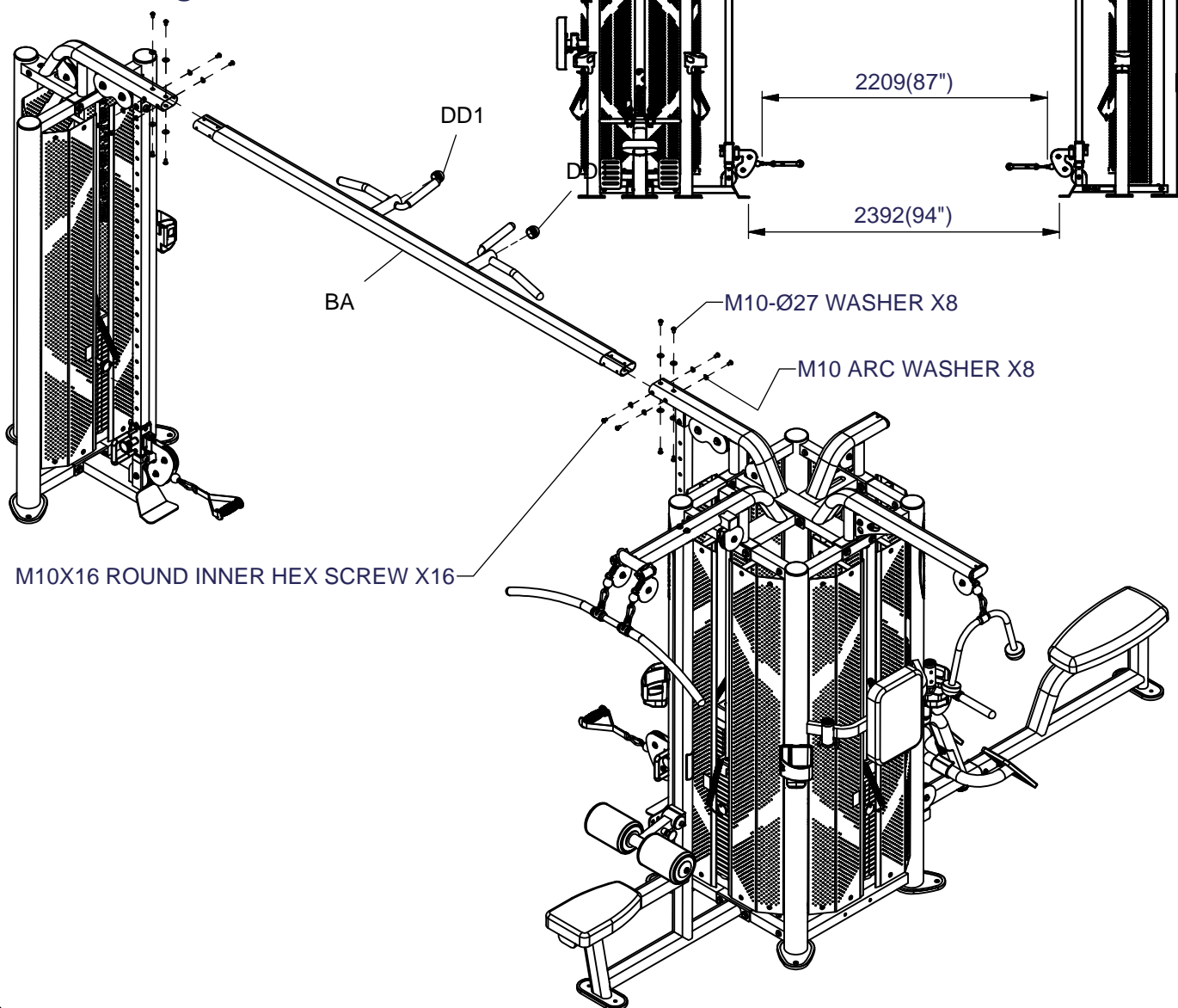


JG4000 ASSEMBLY INSTRUCTIONS

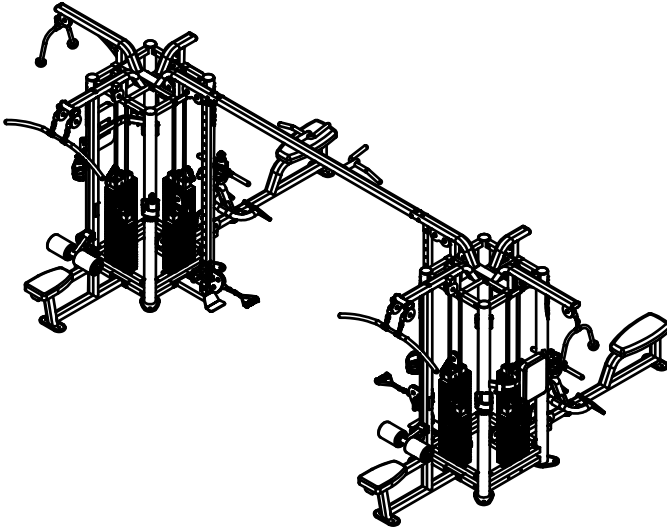


Above shows JG5000S assembled and completed

When buying JG5000S, following the diagram of assembling

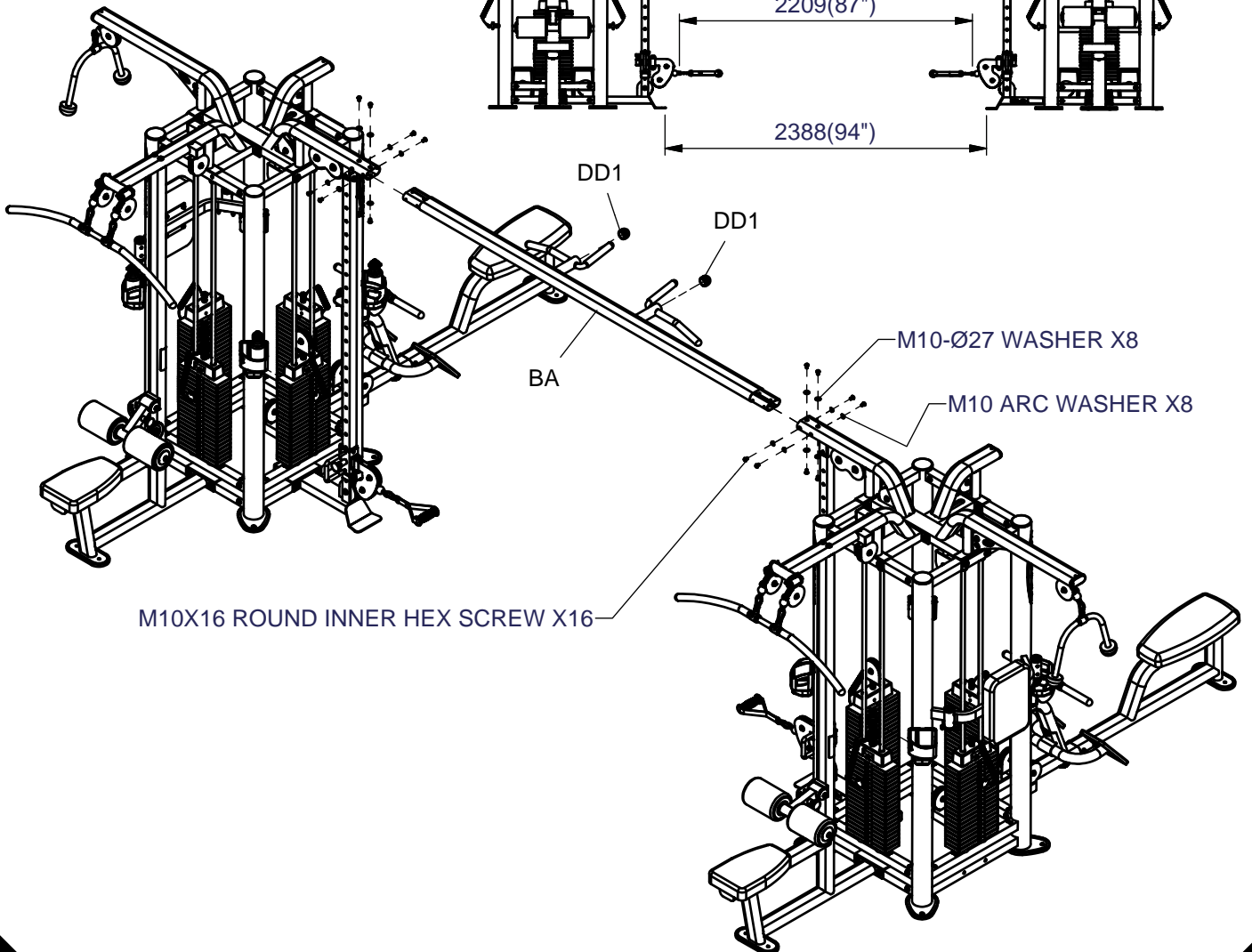
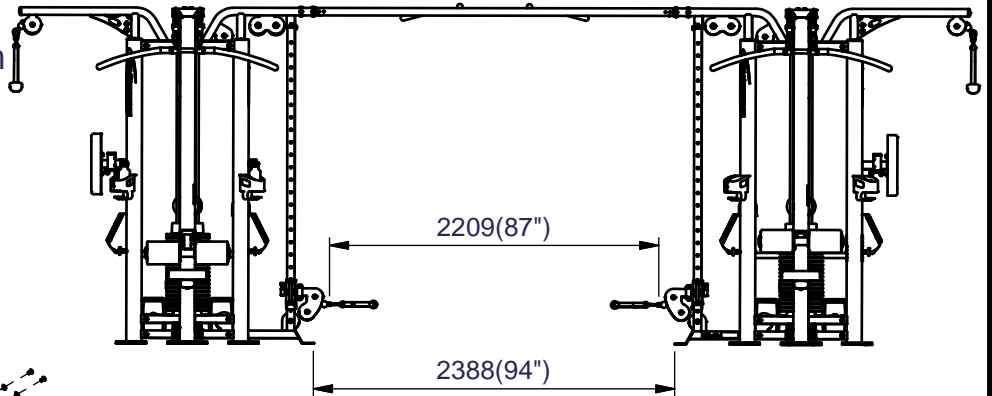


JG4000 ASSEMBLY INSTRUCTIONS

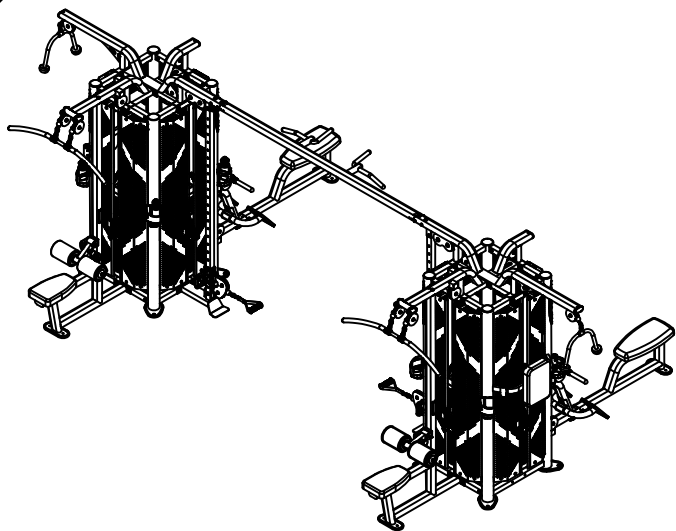


Above shows JG8000 assembled and completed

When buying JG8000, following the diagram of assembling

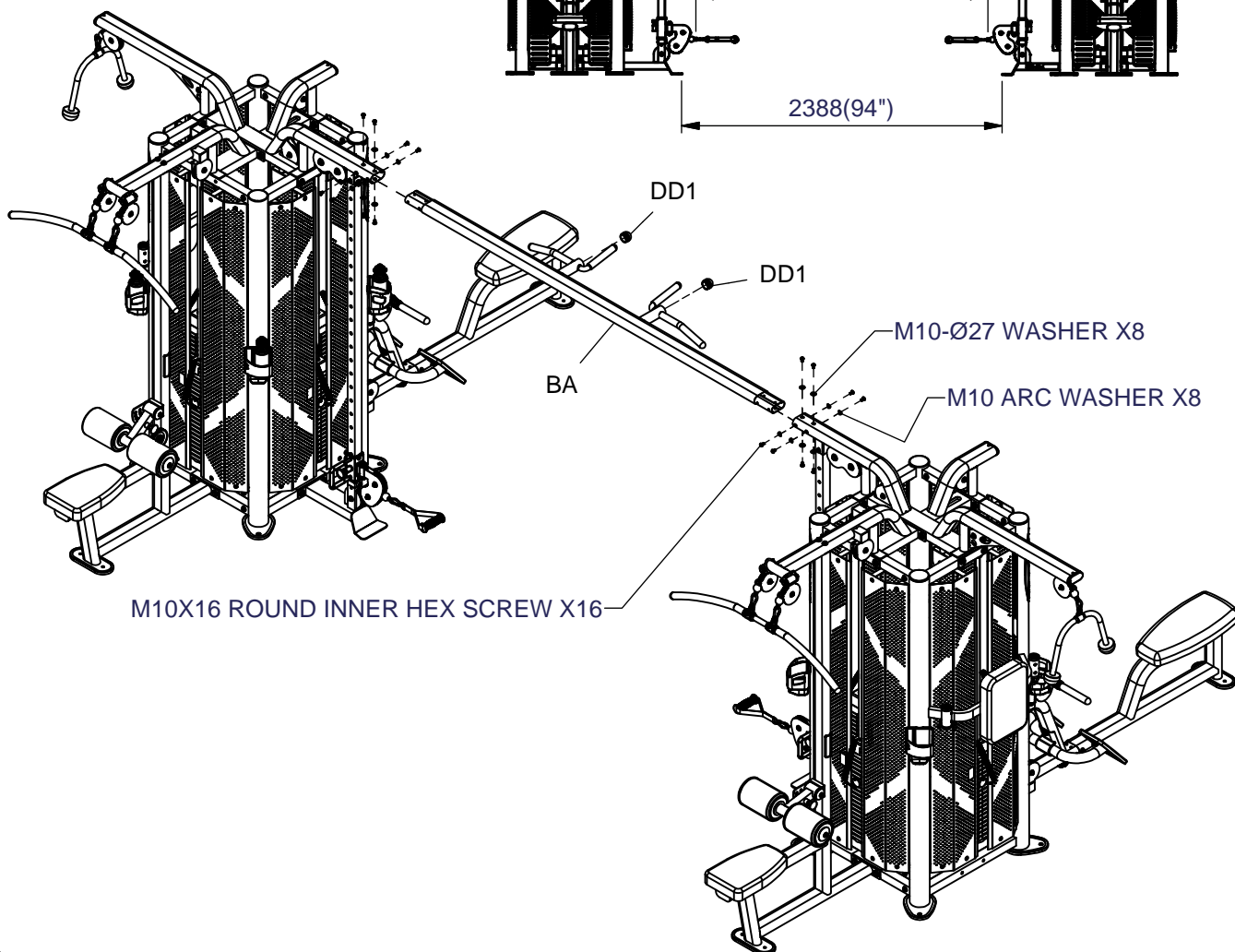
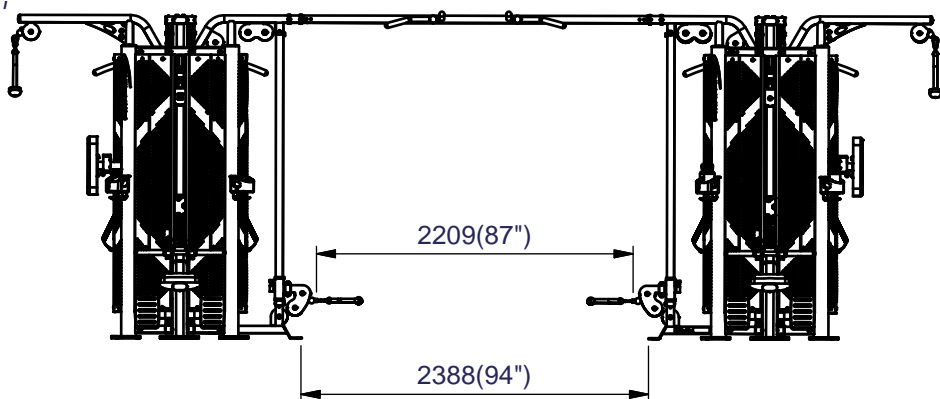


JG4000 ASSEMBLY INSTRUCTIONS

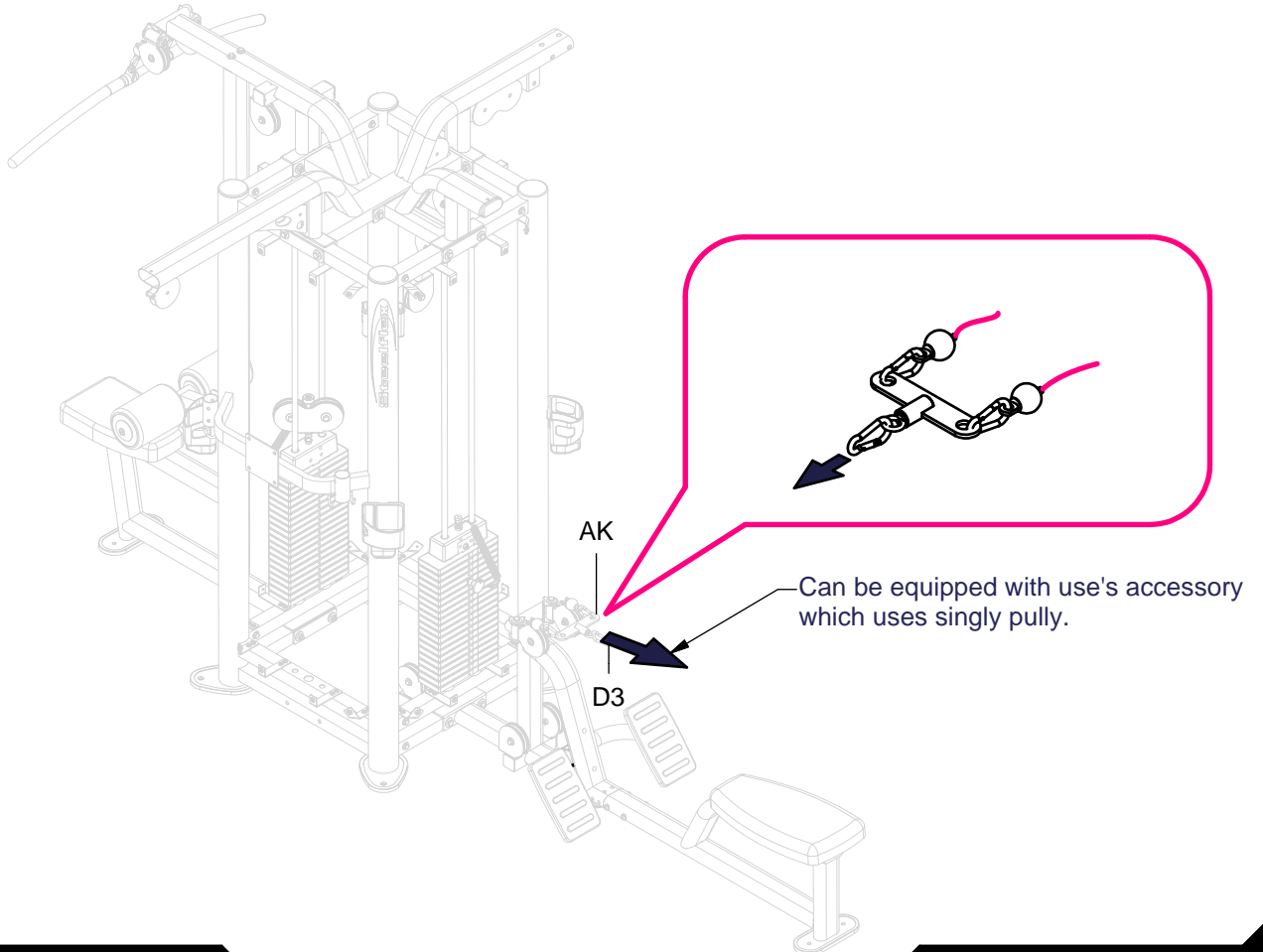
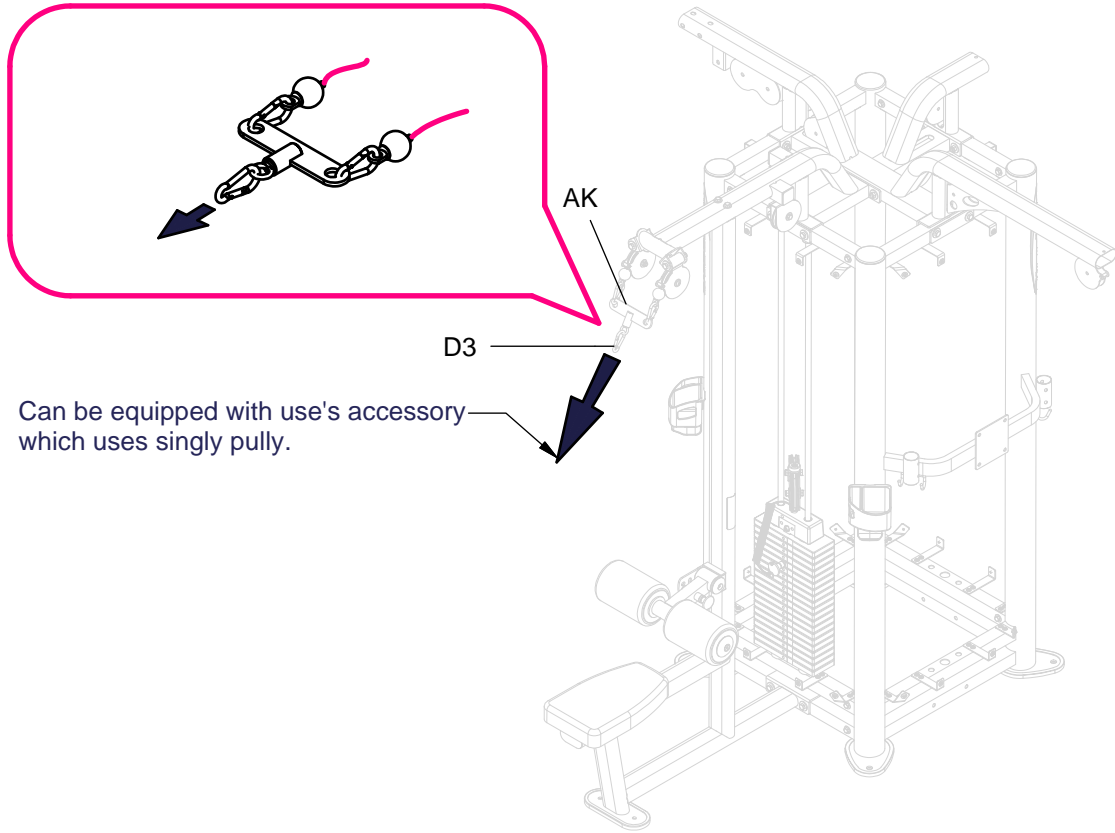


Above shows JG8000S assembled and completed

When buying JG8000S, following the diagram of assembling

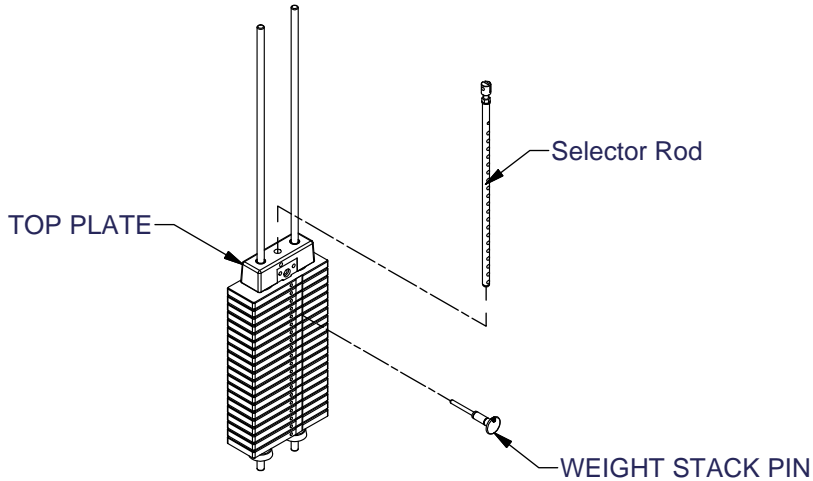


Supplementary information



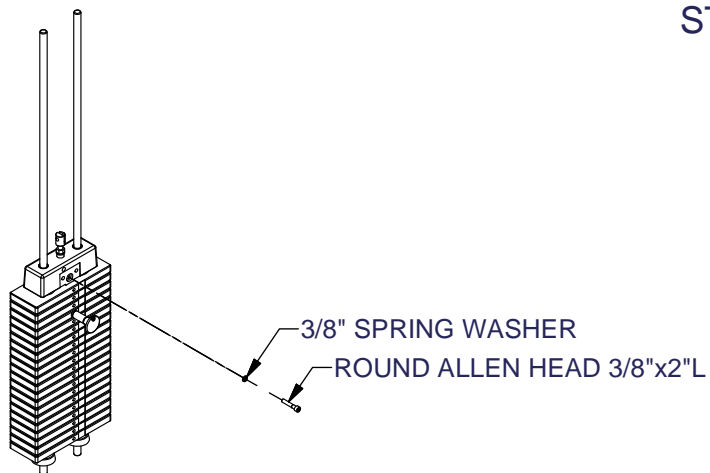
Guide on Selector Rod Adjustment

STEP 1



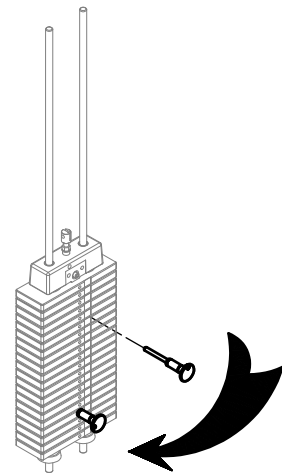
Step 1
Place Selector Rod into Top Plate.
Then put selector pin into the weight plate to fix the rod.

STEP 2

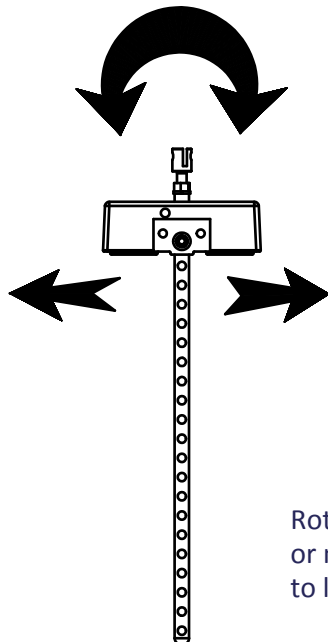


Step 2
Screw the 3/8"x2"L Round Allen Head
into Top Plate but not tighten it up.

STEP 3



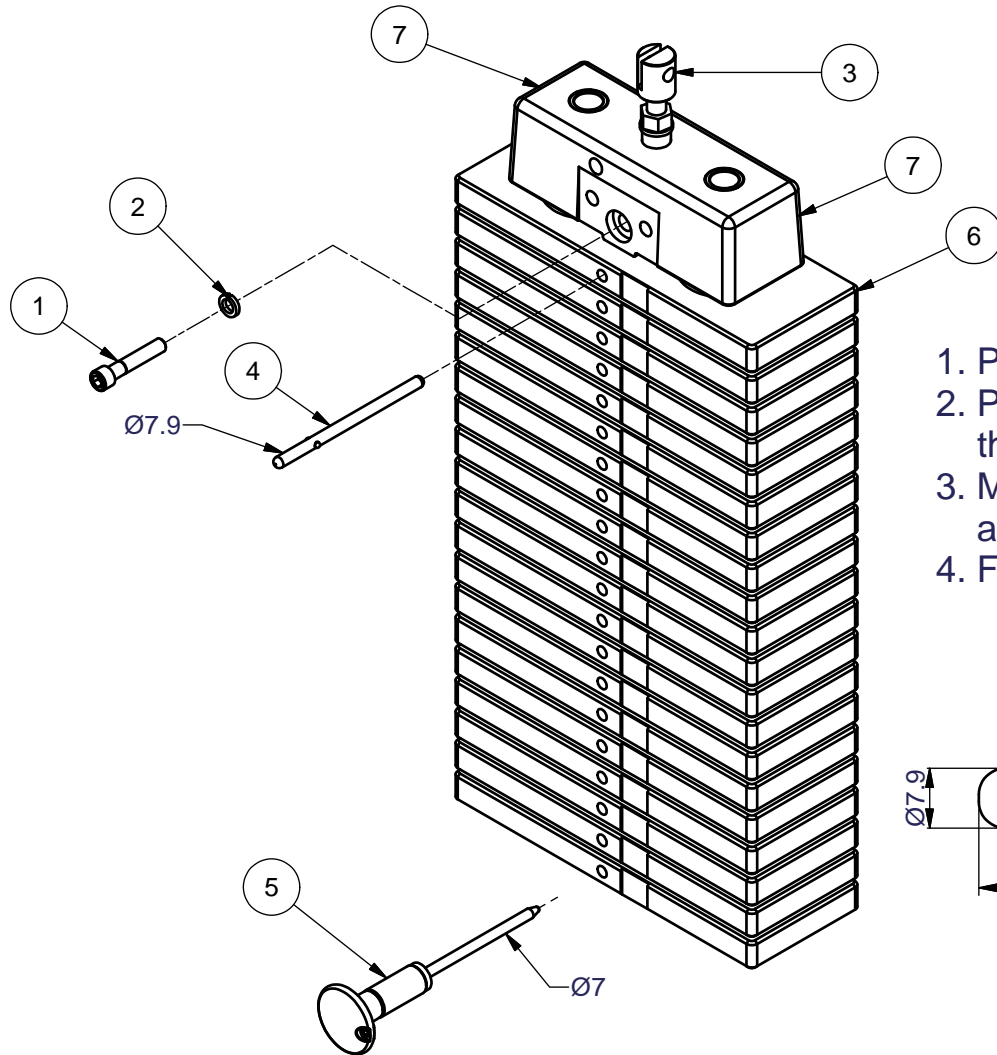
Step 3
Place the selector pin to each weight plate
(5,10,15,20...) to check the smoothness.



Rotate the Selector Rod slightly
or move the 3/8"x2"L Round Allen Head
to left and right and repeat Step 3.

MEGA POWER series JUNGLE GYM series

| project | Part number | Name | Specification | Quantity | Remark |
|---------|------------------|-------------------------|-------------------------------|----------|--------|
| 1 | 38-200 CAP | round allen head | 3/8"X2"L round allen head-CAP | 1 | |
| 2 | 38-SPWAS 8732003 | 3/8" spring washer | | 1 | |
| 3 | 8210-216C | 20 hole Selector Rod | | 1 | |
| 4 | 8250-166 | pin | Ø7.9X137L | 1 | |
| 5 | 8250-162 | weight stack pin | Ø7X110L | 1 | |
| 6 | 8400-010 | 10LB weight stack plate | 102x22tx280L 10LB | 20 | |
| 7 | 8400-033 | top plate | | 1 | |



1. Place #4 - 8250-166 (pin) into the first weight plate.
2. Place #5 - 8250-162 (weight stack pin) into the the hole 20th of the weight stack.
3. Make sure #7 (top plate) cling to #6 (first weight plate) and fix in #1 - 3/8"X2"L screw and #2 - 3/8" spring washer.
4. Finally remove #5 - 8250-162 (weight stack pin) and use as usual.

