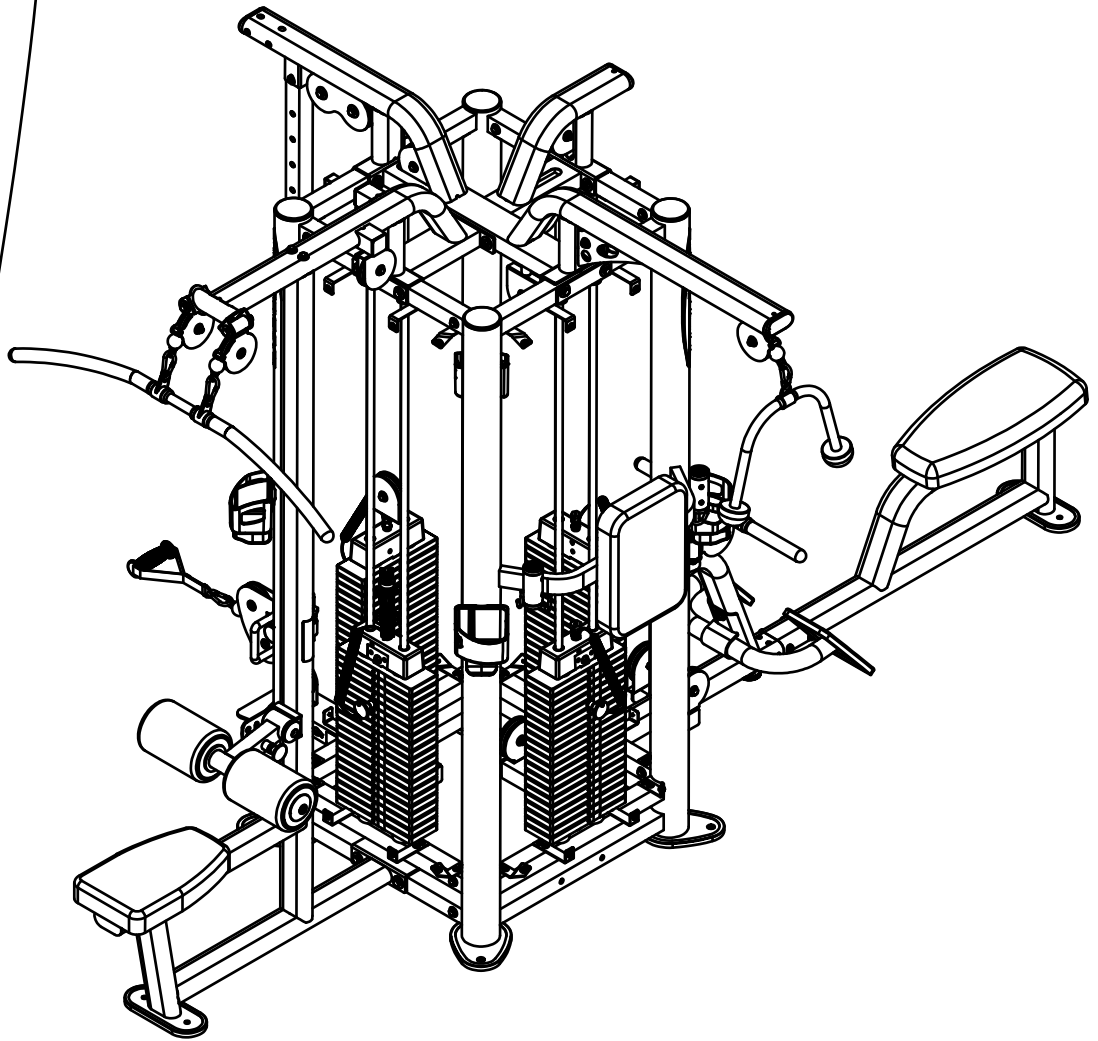


JUNGLE GYM



JOONG CHENN INDUSTRY CO., LTD.

Sales Office:

3F28, No.5, Shin-Yi Rd., Sec. 5, Taipei, Taiwan 110 R.O.C.

Tel: 886-2-27209980

Fax: 886-2-27229750

www.steelflexfitness.com

JG4000.2 OWNER'S MANUAL

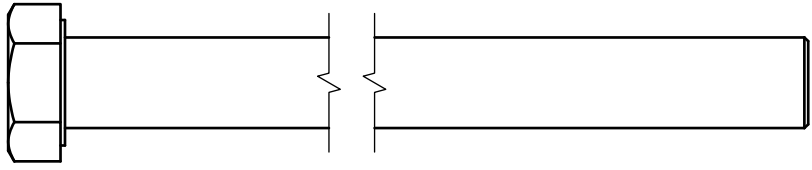
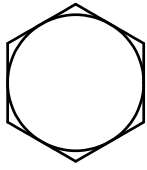
JG4000 ASSEMBLY INSTRUCTIONS

JUNGLE GYM SERIES CONFIGURATION FORM

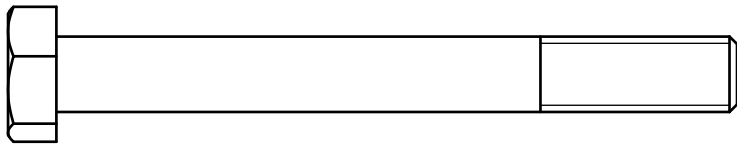
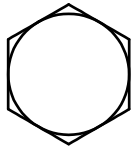
	JG1000	JG4000	JG	JGC
 JG2000	X2		○	
 JG4000		○		
 JG4000S		○		○
 JG5000	○	○	○	
 JG5000S	○	○	○	○
 JG8000		X2	○	
 JG8000S		X2	○	X2

JG4000 ASSEMBLY INSTRUCTIONS

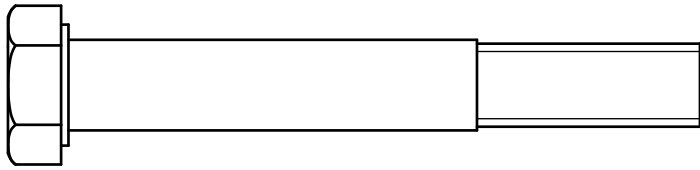
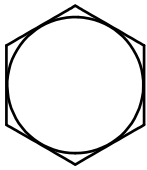
HARDWARE ILLUSTRATION



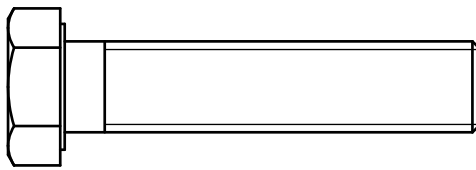
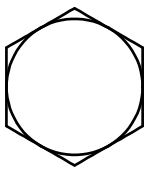
(A1)HEX BOLT M12X130L PARTIAL THREAD QTY.2



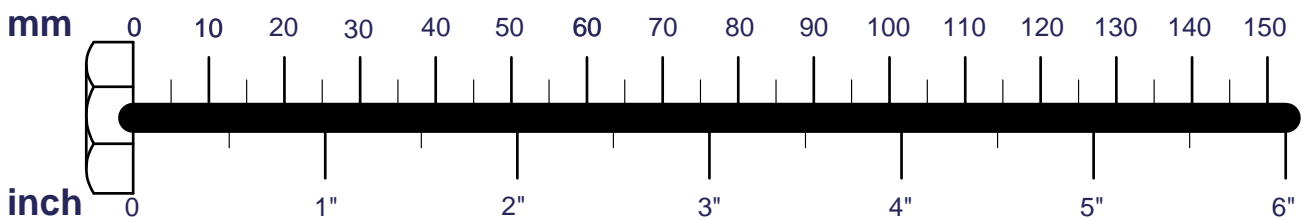
(A2)HEX BOLT M12X90L PARTIAL THREAD QTY.5



(A3)HEX BOLT M12X85L PARTIAL THREAD QTY.14

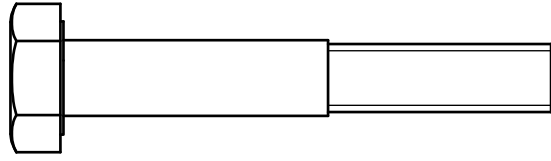
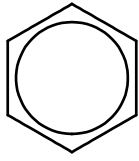


(A4)HEX BOLT M12X50L PARTIAL THREAD QTY.4

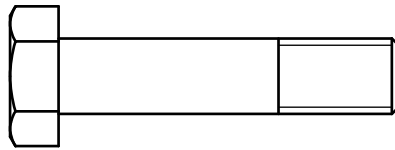
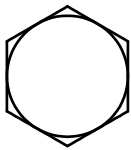


JG4000 ASSEMBLY INSTRUCTIONS

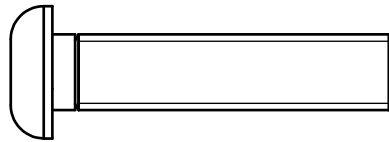
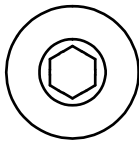
HARDWARE ILLUSTRATION



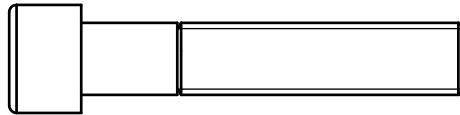
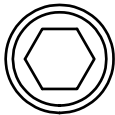
(A5)HEX BOLT M10X65L PARTIAL THREAD QTY.1



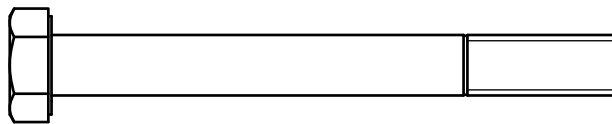
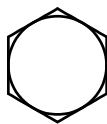
(A6)HEX BOLT M10X45L PARTIAL THREAD QTY.9



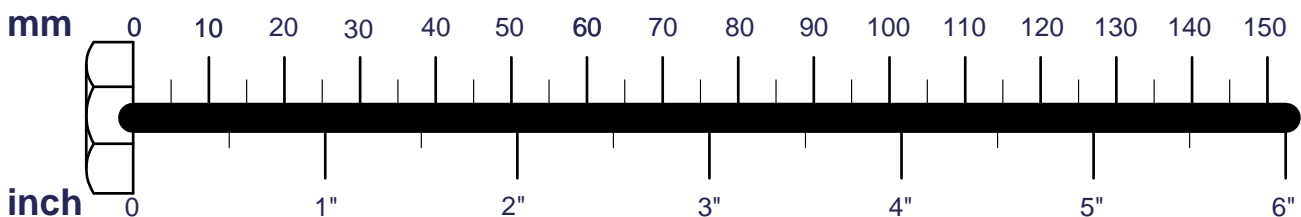
(A7)ROUND INNER HEX SCREW M10X45L PARTIAL THREAD QTY.7



(A8) ROUND ALLEN HEAD 3/8"x2"L PARTIAL QTY.4

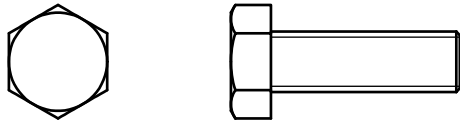


(A9)HEX BOLT M8X75L PARTIAL QTY.4

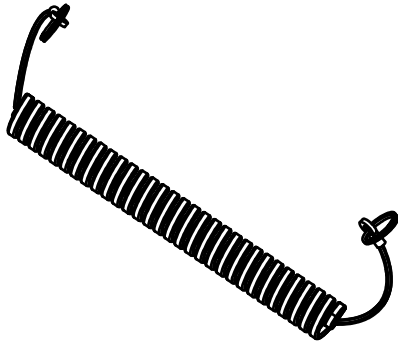


JG4000 ASSEMBLY INSTRUCTIONS

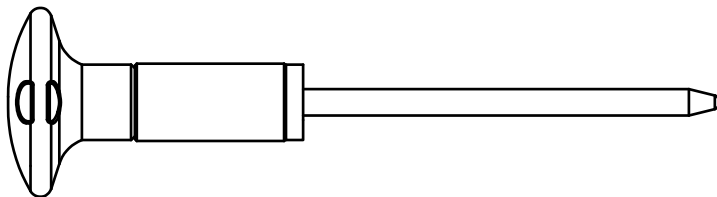
HARDWARE ILLUSTRATION



(A10)HEX BOLT M8X25L PARTIAL THREAD QTY.4



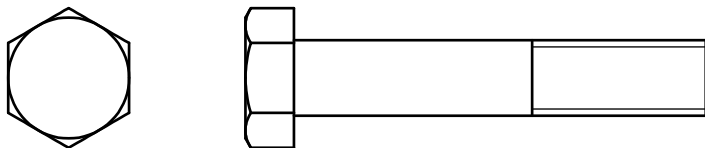
(A11)ELASTIC BELT QTY.4



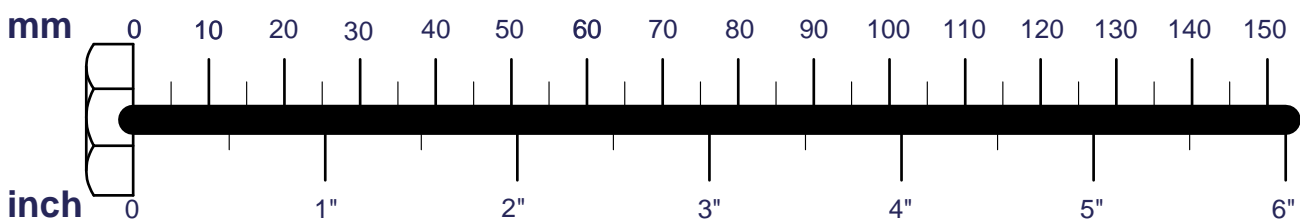
(A12)20LB PIN(8250-162) QTY.4



(A13) ROUND ALLEN HEAD M8X15L PARTIAL QTY.1

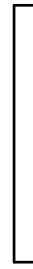
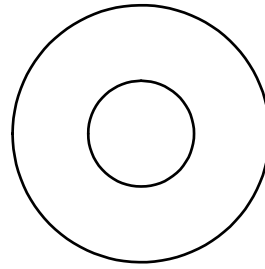
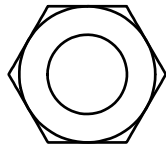


(A14)HEX BOLT M10X55L PARTIAL THREAD QTY.1

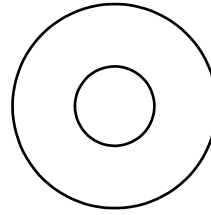
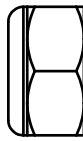
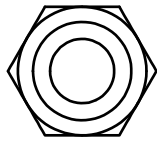


JG4000 ASSEMBLY INSTRUCTIONS

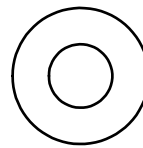
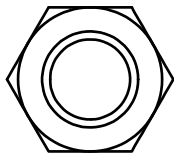
HARDWARE ILLUSTRATION



(B1)NYLON LOCK NUT M12 QTY.25 (C1)M12(I.D.)FLAT WASHER Ø34 QTY.50

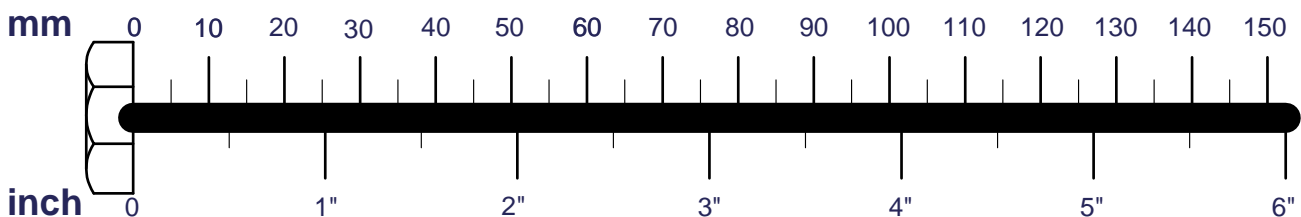


(B2)NYLON LOCK NUT M10 QTY.18 (C2)M10(I.D.)FLAT WASHER Ø27 QTY.36

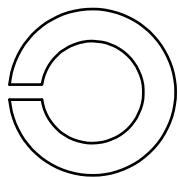


(B3)1/2"NUT-13UNC QTY.7

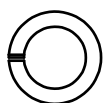
(C3)M8(I.D.)FLAT WASHER Ø18 QTY.8



HARDWARE ILLUSTRATION



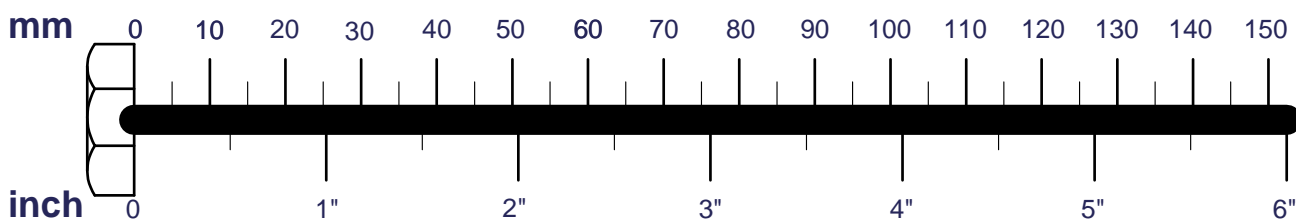
(C4)SPRING WASHER 1/2" QTY.7



(C5)SPRING WASHER M8 QTY.8



(C6)SPRING WASHER 3/8" QTY.4

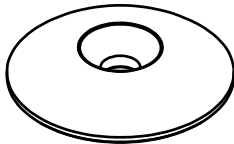


JG4000 ASSEMBLY INSTRUCTIONS

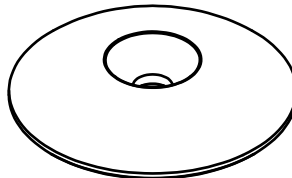
HARDWARE ILLUSTRATION

D1.Ø60 CAP COVER(8130-231)-----	[2PCS]
D2.Ø76 CAP COVER(8130-236)-----	[2PCS]
D3.HOOK(8810-001)-----	[8PCS]
D4.NYLON BUSHING(9211-029)-----	[4PCS]
D5.NYLON BUSHING(9211-033)-----	[2PCS]
D6.3/4" SHAFT COLLAR(9211-046)-----	[8PCS]
D7.50X100X2.0tX30H END CAP(9211-114)-----	[3PCS]
D8.Ø100X30H CAP COVER(9211-186)-----	[4PCS]
D9.Ø120XØ52X3t NYLON WASHER(9214-039)-----	[4PCS]
D10.BOTTLE RACK(9260-320)-----	[4PCS]
D11.RUBBER DOUNT(9310-027)-----	[8PCS]
D12.108X14.5tX263L RUBBER PAD(9310-075)-----	[2PCS]

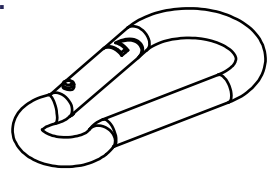
D1.



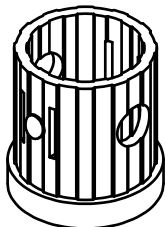
D2.



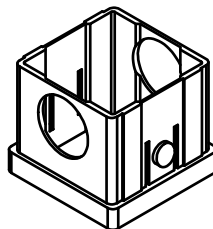
D3.



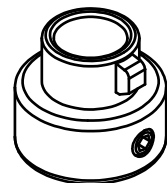
D4.



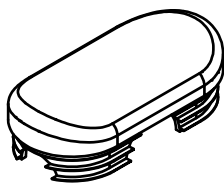
D5.



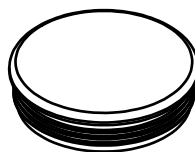
D6.



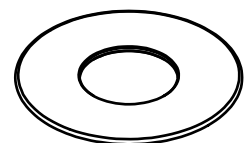
D7.



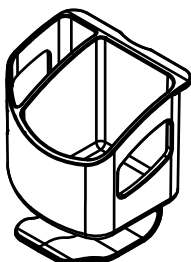
D8.



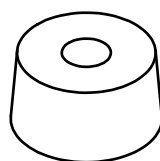
D9.



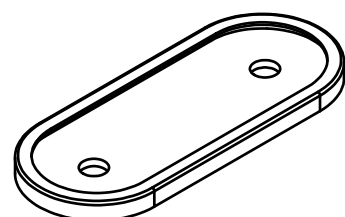
D10.



D11.



D12.

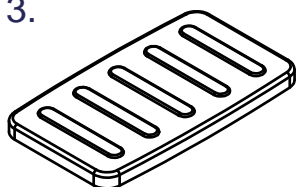


JG4000 ASSEMBLY INSTRUCTIONS

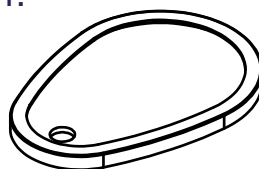
HARDWARE ILLUSTRATION

D13.295X170X18t RUBBER PAD(9310-107)-----	[2PCS]
D14.226X13.5tX161 RUBBER PAD(9310-115)-----	[4PCS]
D15.Ø37.5X13.5 RUBBER DOUNT(9310-116)-----	[1PCS]
D16.NYLON CABLE HANDLE(9630-284)-----	[5PCS]
D17.RESISTANCE BAND(TR20)-----	[1PCS]
D18.Ø110 PULLEY(9213-002B)-----	[21PCS]
D19.Ø117 PULLEY(9213-010E)-----	[4PCS]
D20.2090mm STEEL CABLE(FJG4000A)-----	[1PCS]
D21.7320mm STEEL CABLE(FJG4000B)-----	[1PCS]
D22.1730mm STEEL CABLE(FJG4000C)-----	[1PCS]
D23.5560mm STEEL CABLE(FJG4000D)-----	[1PCS]
D24.4255mm STEEL CABLE(FJG4000E)-----	[1PCS]
D25.Ø27.5XØ22X11.5L RUBBER PAD(9214-030)-----	[1PCS]
D26.1545mm STEEL CABLE(FJG4000F)-----	[1PCS]

D13.



D14.



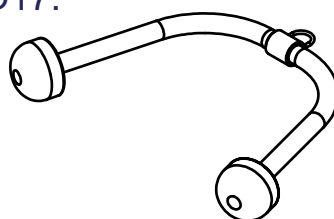
D15.



D16.



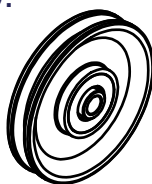
D17.



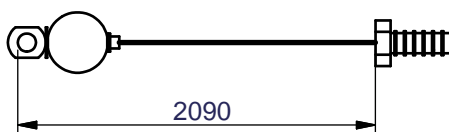
D18.



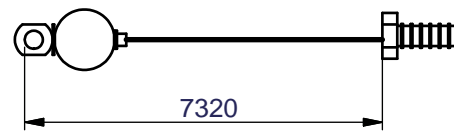
D19.



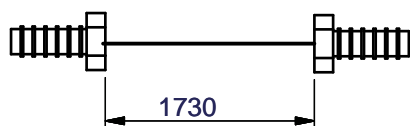
D20.



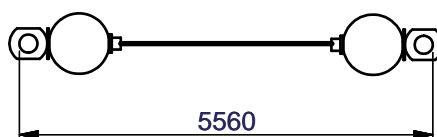
D21.



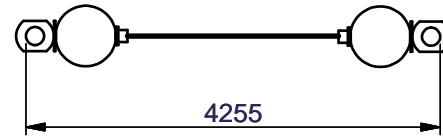
D22.



D23.



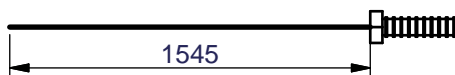
D24.



D25.

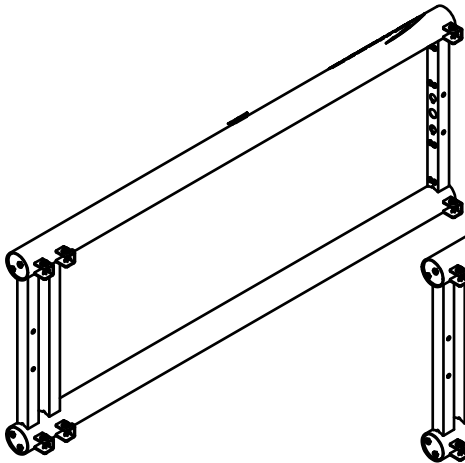


D26.

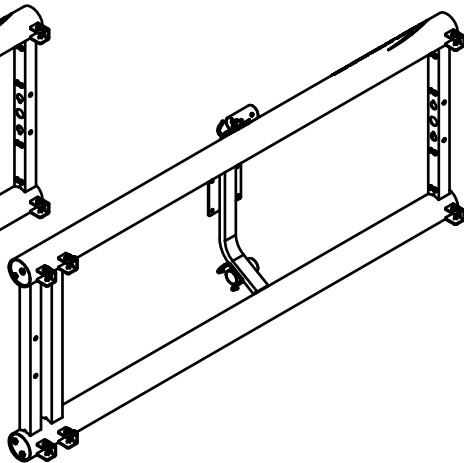


PARTS ILLUSTRATION SHEET

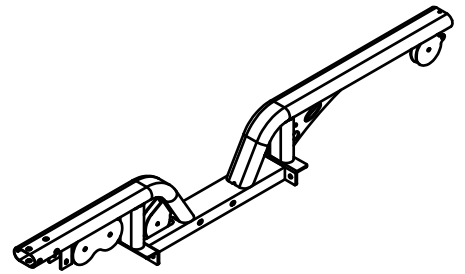
A [1SET]



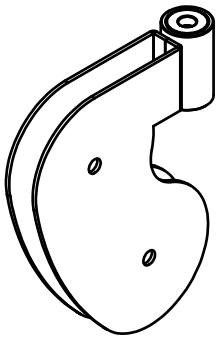
B [1SET]



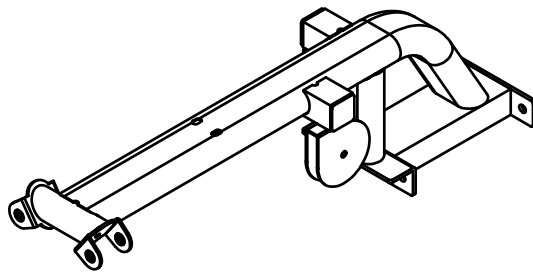
C [1SET]



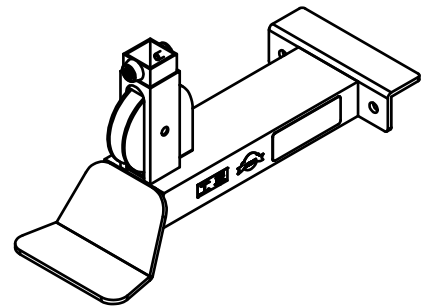
D [1SET]



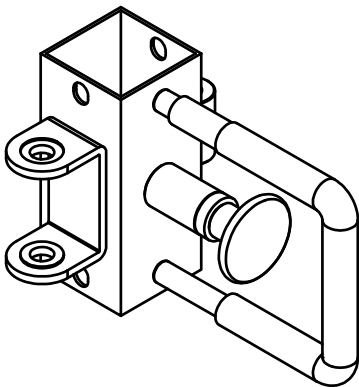
E [1SET]



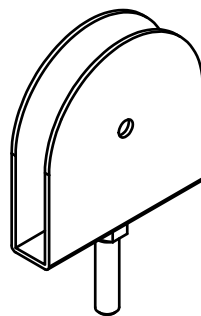
F [1SET]



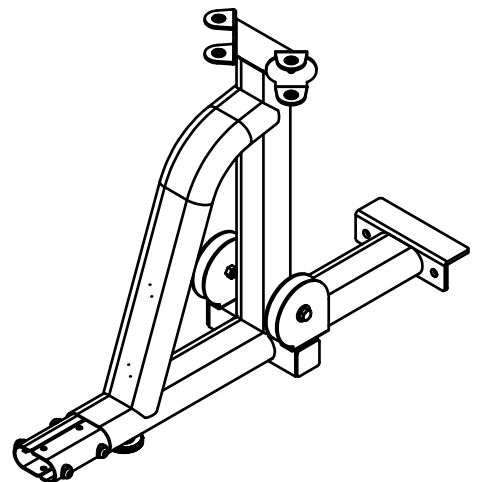
G1 [1SET]
280272



H [1SET]

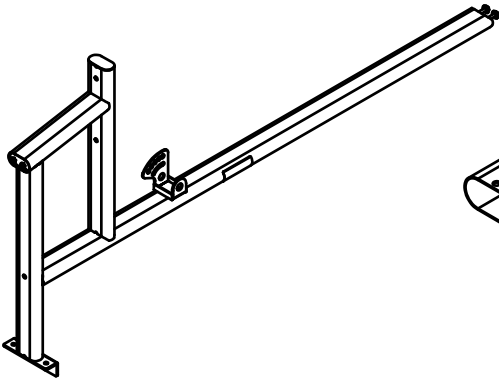


I [1SET]

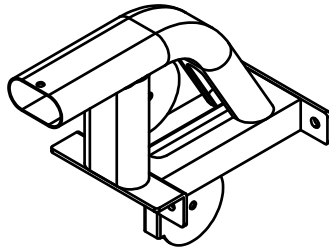


PARTS ILLUSTRATION SHEET

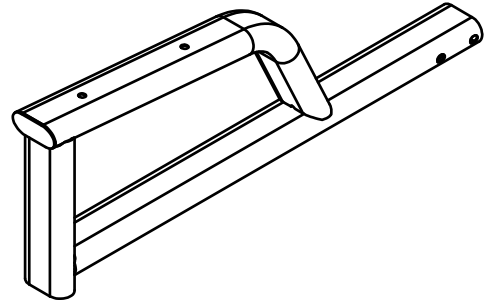
J [1SET]



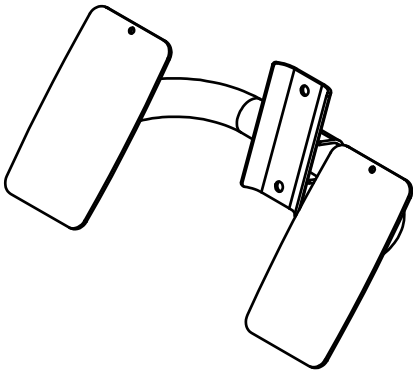
K1 [1SET]



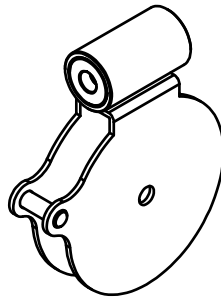
L [1SET]



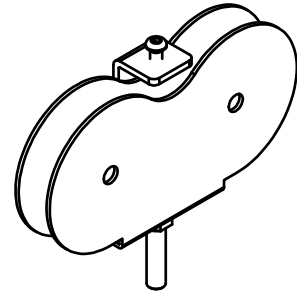
M1 [1SET]



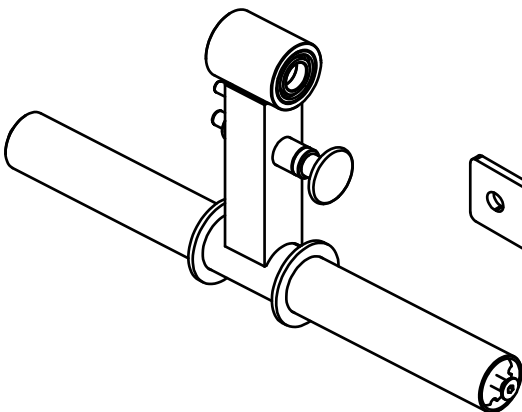
N [4SET]



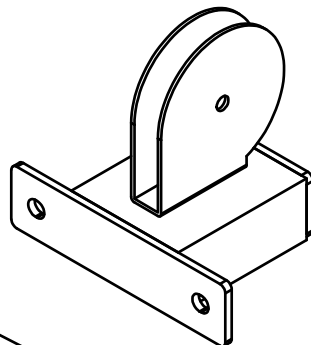
O [1SET]



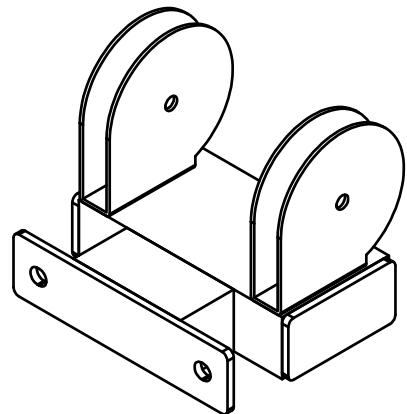
P [1SET]



Q [1SET]

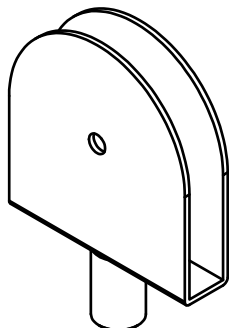


R [1SET]

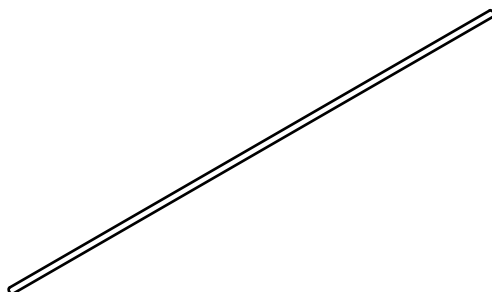


PARTS ILLUSTRATION SHEET

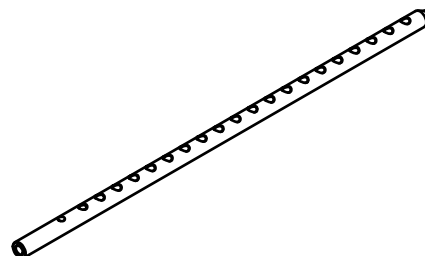
S [1SET]



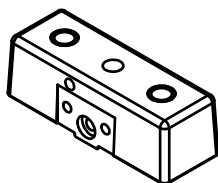
T [8PCS]
8280-014
Ø3/4"X1800L



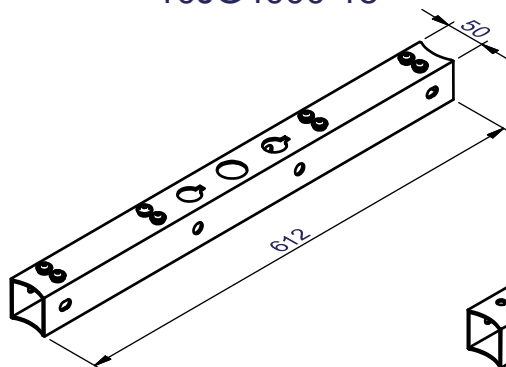
U1 [4SET]
8210-216
Ø3/4"X596L



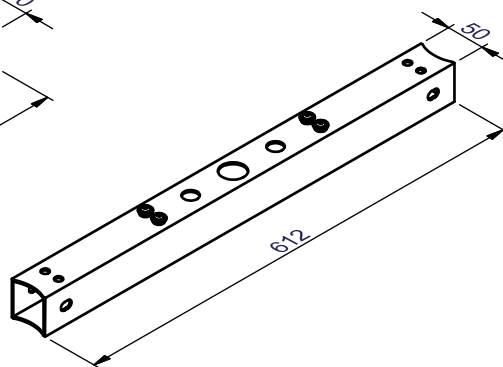
V [4SET]
8400-033



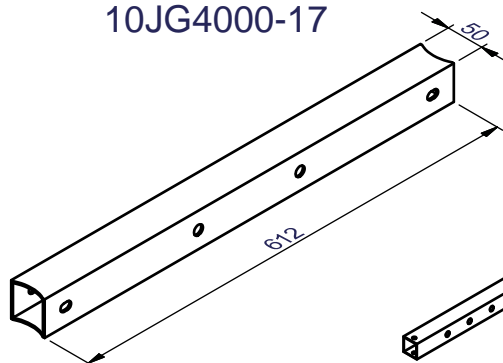
W [2SET]
10JG4000-15



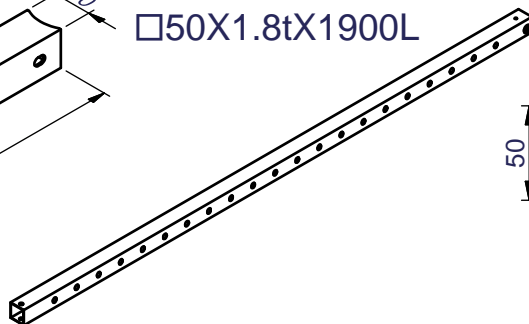
X [2SET]
10JG4000-16



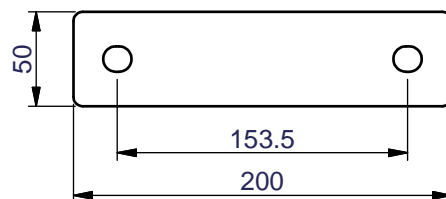
Y [2SET]
10JG4000-17



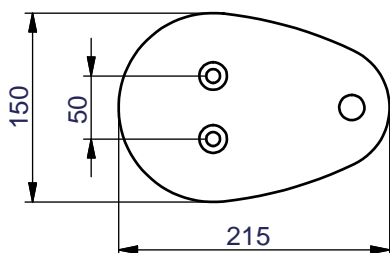
Z [1SET]
260545
□50X1.8tX1900L



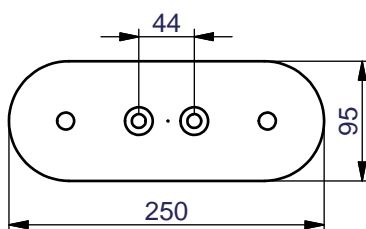
AA [5PCS]
8312-077



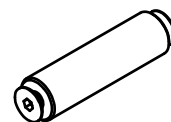
AB[4PCS]
8343-324



AC[2PCS]
8313-188

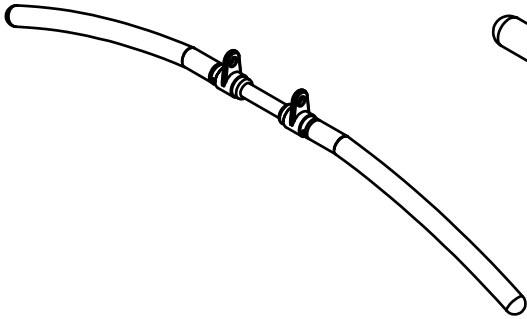


AD[1SET]
8220-186
Ø25X87.5L

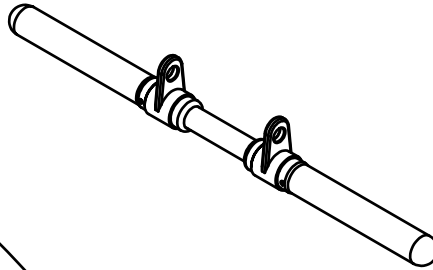


PARTS ILLUSTRATION SHEET

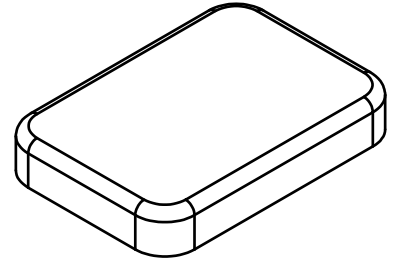
AE [1SET]
20LB1200I



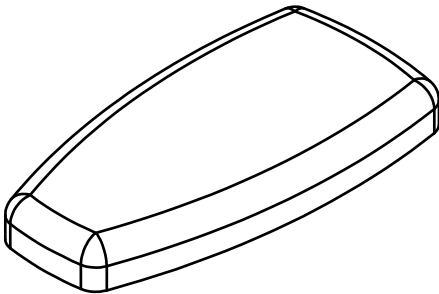
AF [1SET]
20LB600A



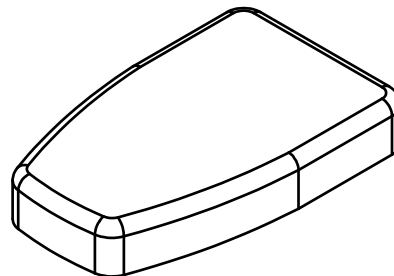
AG [1SET]
9111-097



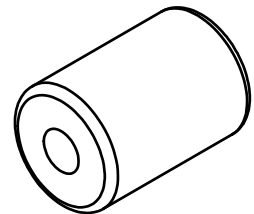
AH [1SET]
9121-111



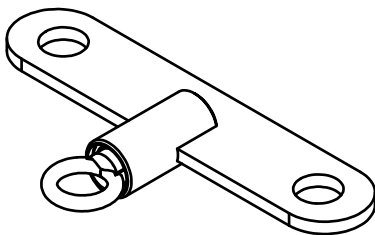
AI [1SET]
9121-107



AJ1 [2SET]
9161-078



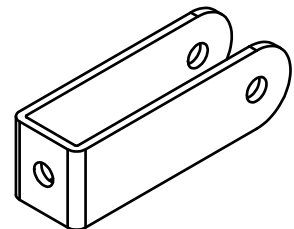
AK [2SET]
6640-023



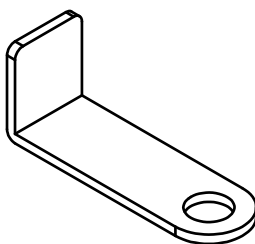
AL[1SET]
20JG4000-U



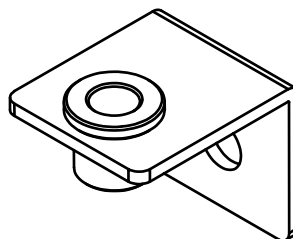
AN[1PCS]
8321-071



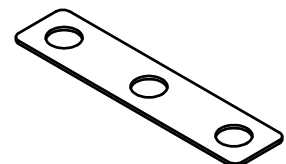
AO[1SET]
8331-015



AP[1SET]
8331-082



AQ[4PCS]
8311-194

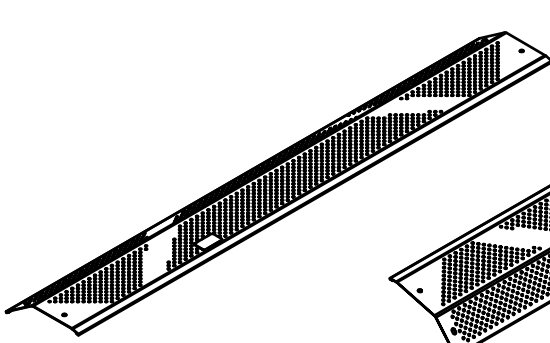


JGC ASSEMBLY INSTRUCTIONS

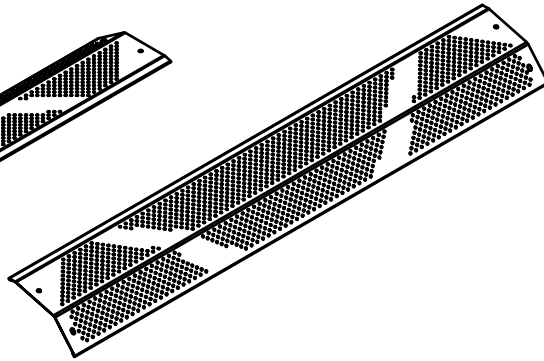
PARTS ILLUSTRATION SHEET

JGC is collocated in JG4000S, JG5000S, JG8000S

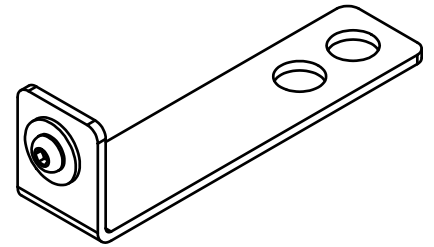
AAA [4SET]
8380-076



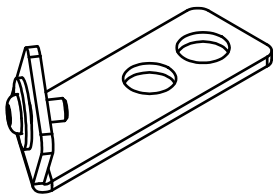
AAB [4SET]
8380-076



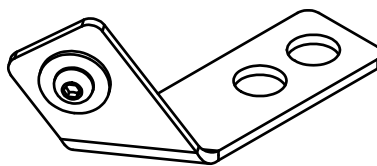
AAC [16SET]
8331-070



AAD [8SET]
8331-072



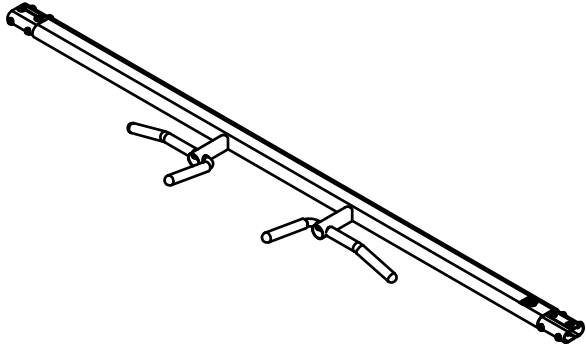
AAE [8SET]
8331-073



PARTS ILLUSTRATION SHEET

JG is collocated in JG2000, JG5000(S), JG8000(S)

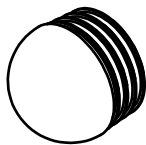
BA[1SET]



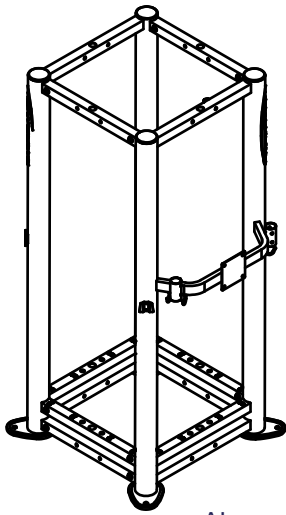
HARDWARE ILLUSTRATION

DD1.Ø49.5X43L CAP COVER(9211-074)----- [2PCS]

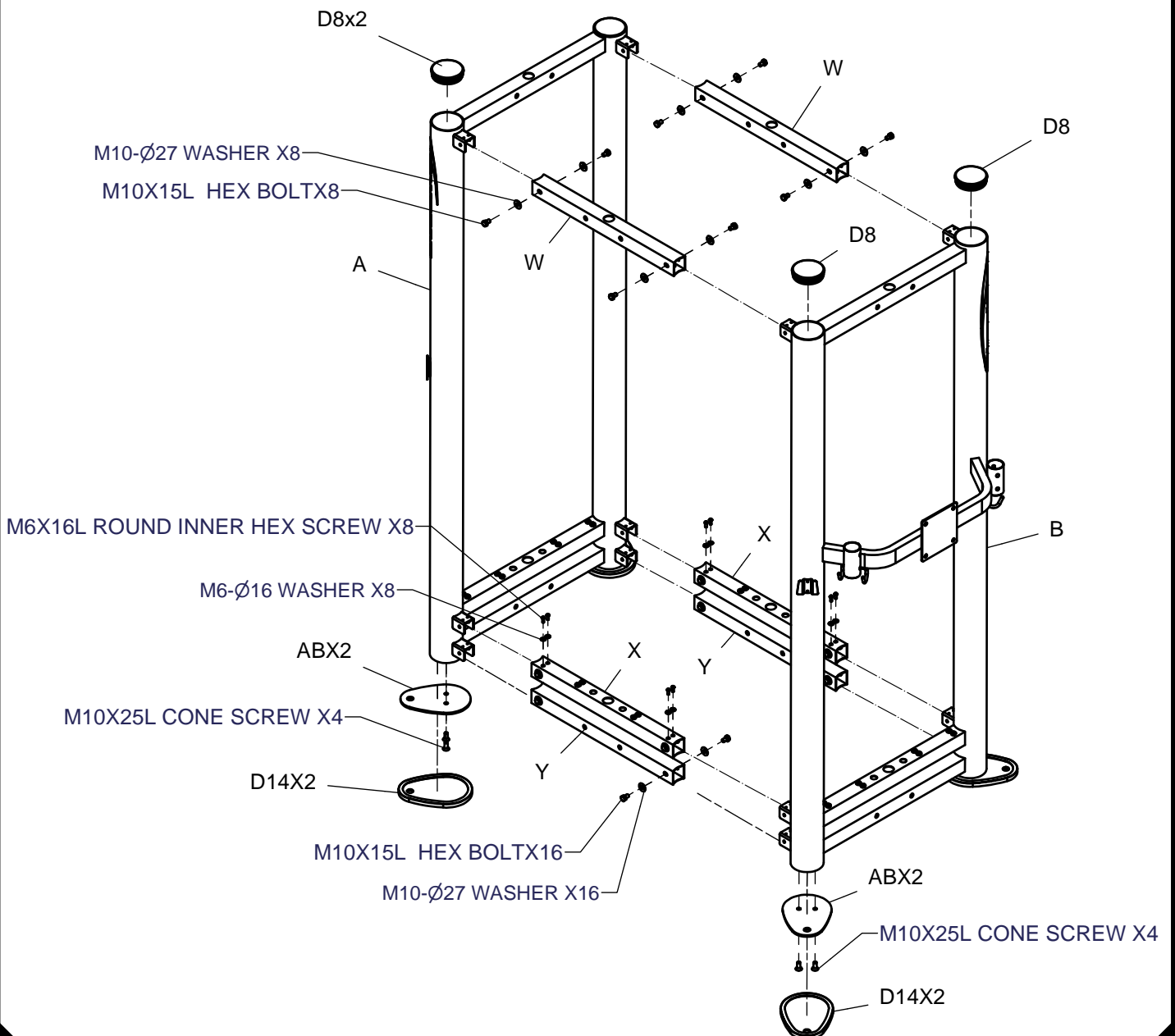
DD1.



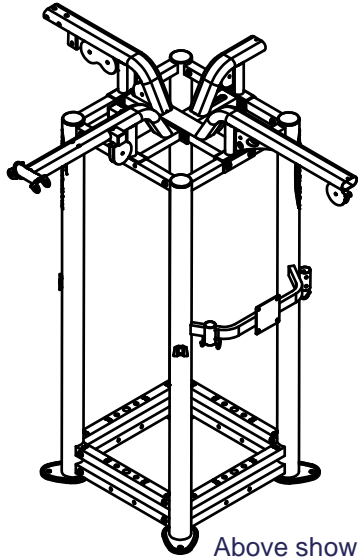
JG4000 ASSEMBLY INSTRUCTIONS



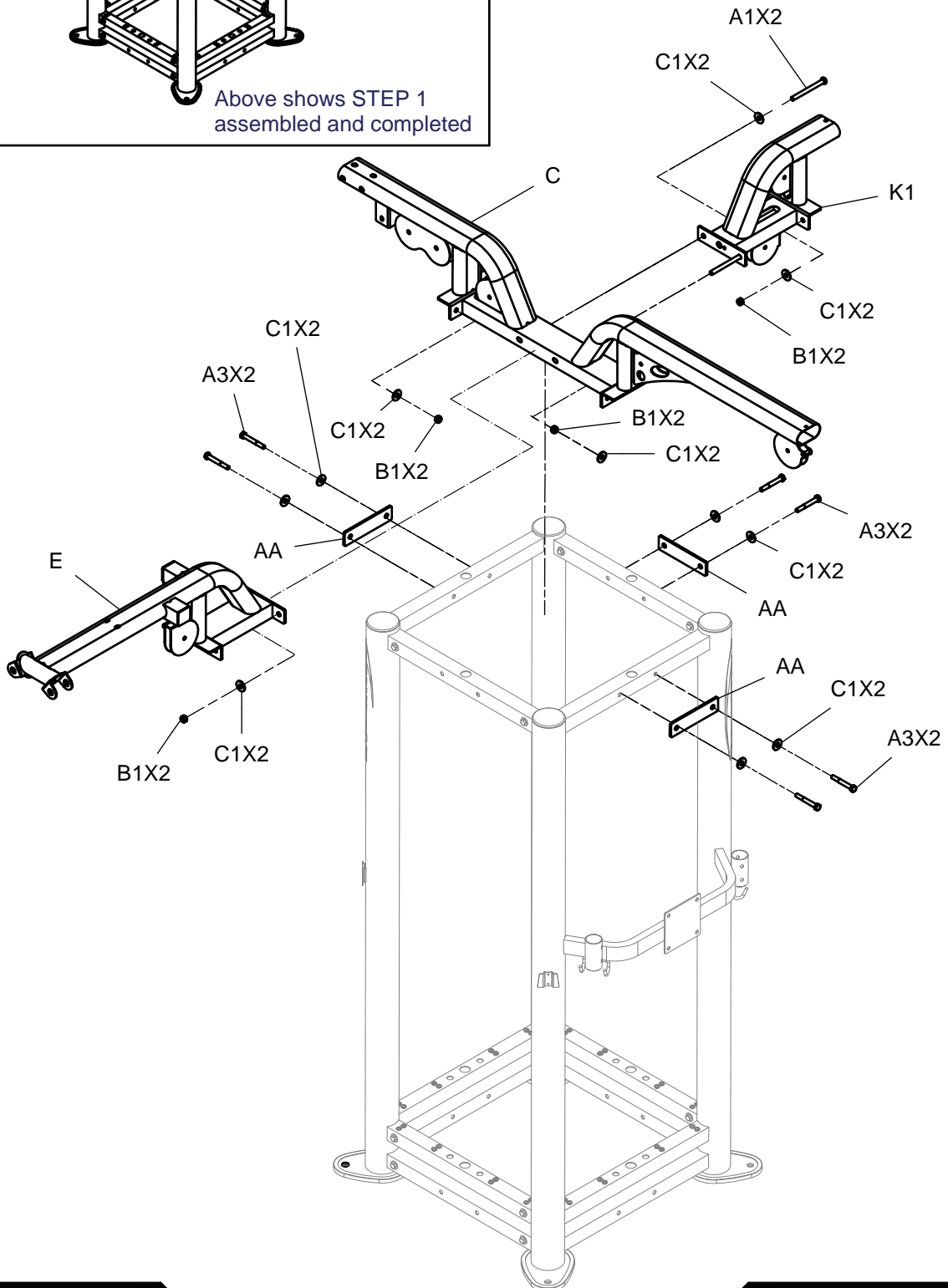
Above shows STEP 1 assembled and completed



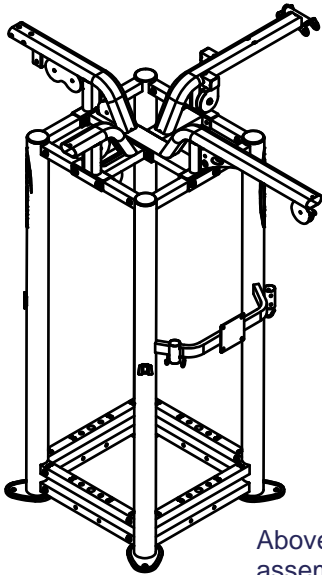
JG4000 ASSEMBLY INSTRUCTIONS



Above shows STEP 1 assembled and completed

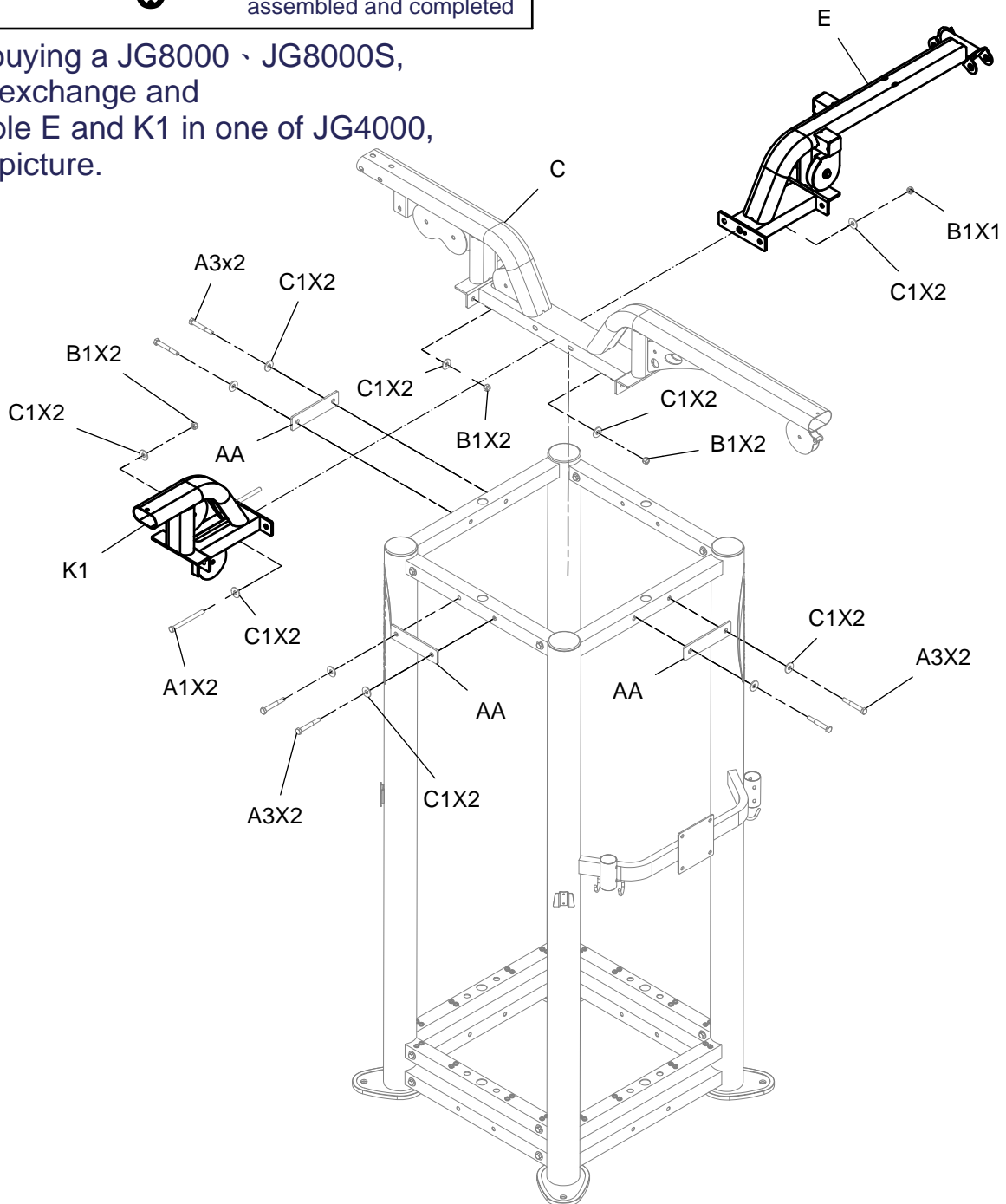


JG4000 ASSEMBLY INSTRUCTIONS

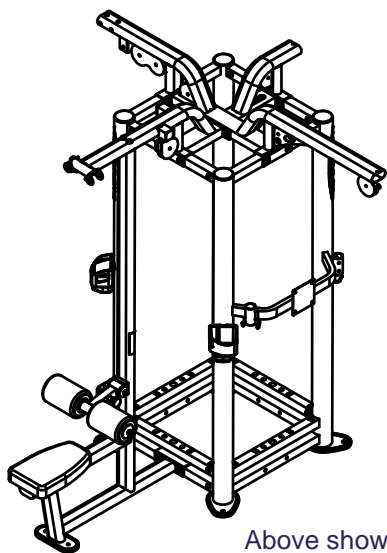


Above shows STEP 1.1 assembled and completed

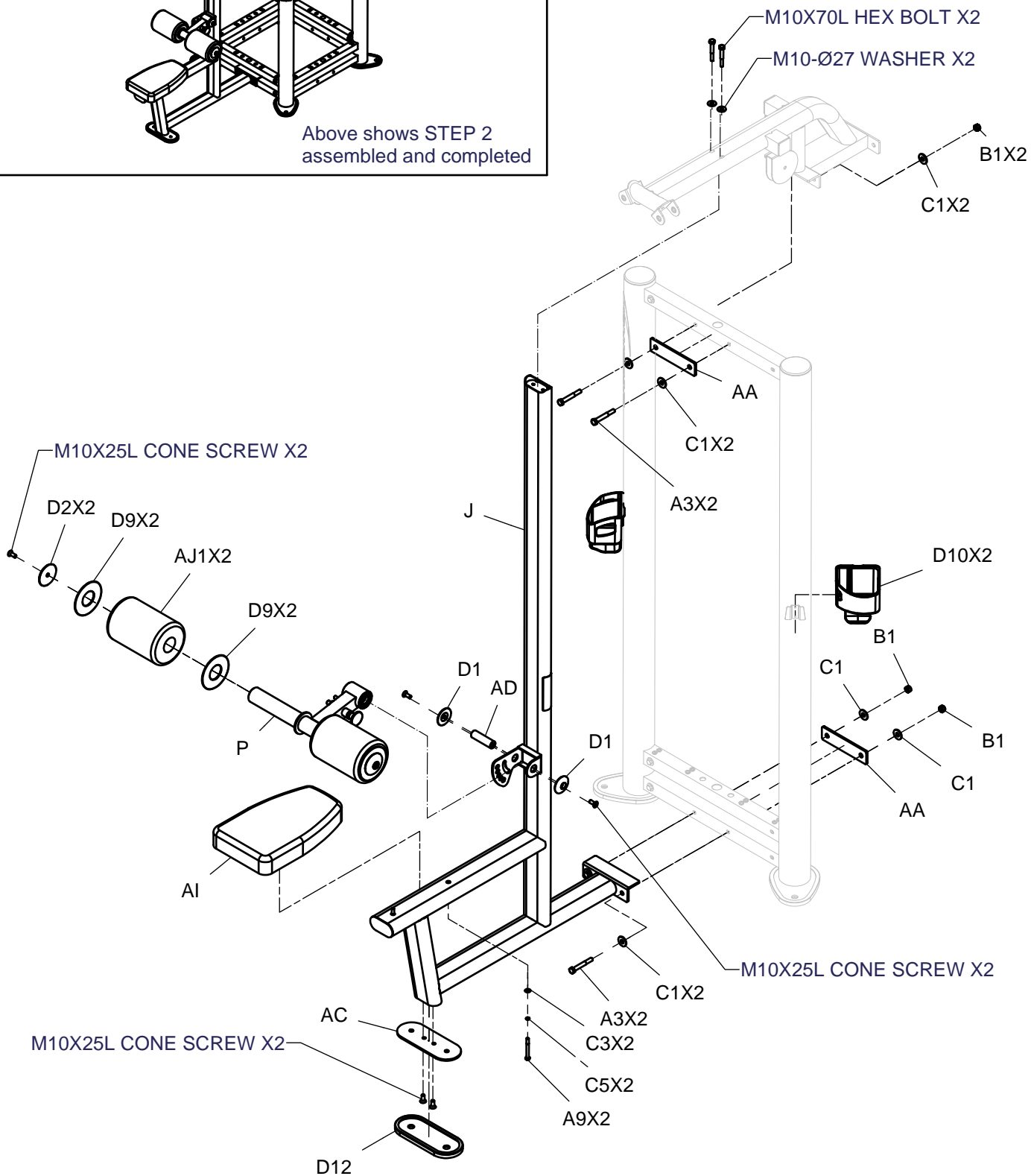
When buying a JG8000 · JG8000S, please exchange and assemble E and K1 in one of JG4000, see as picture.



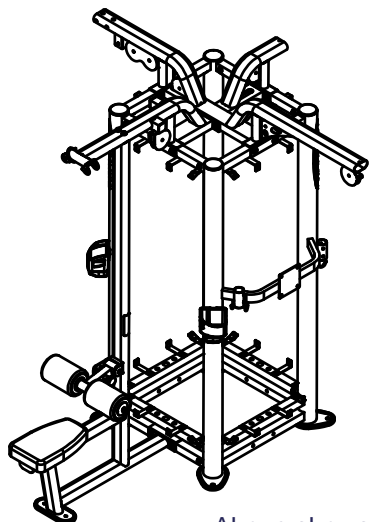
JG4000 ASSEMBLY INSTRUCTIONS



Above shows STEP 2 assembled and completed

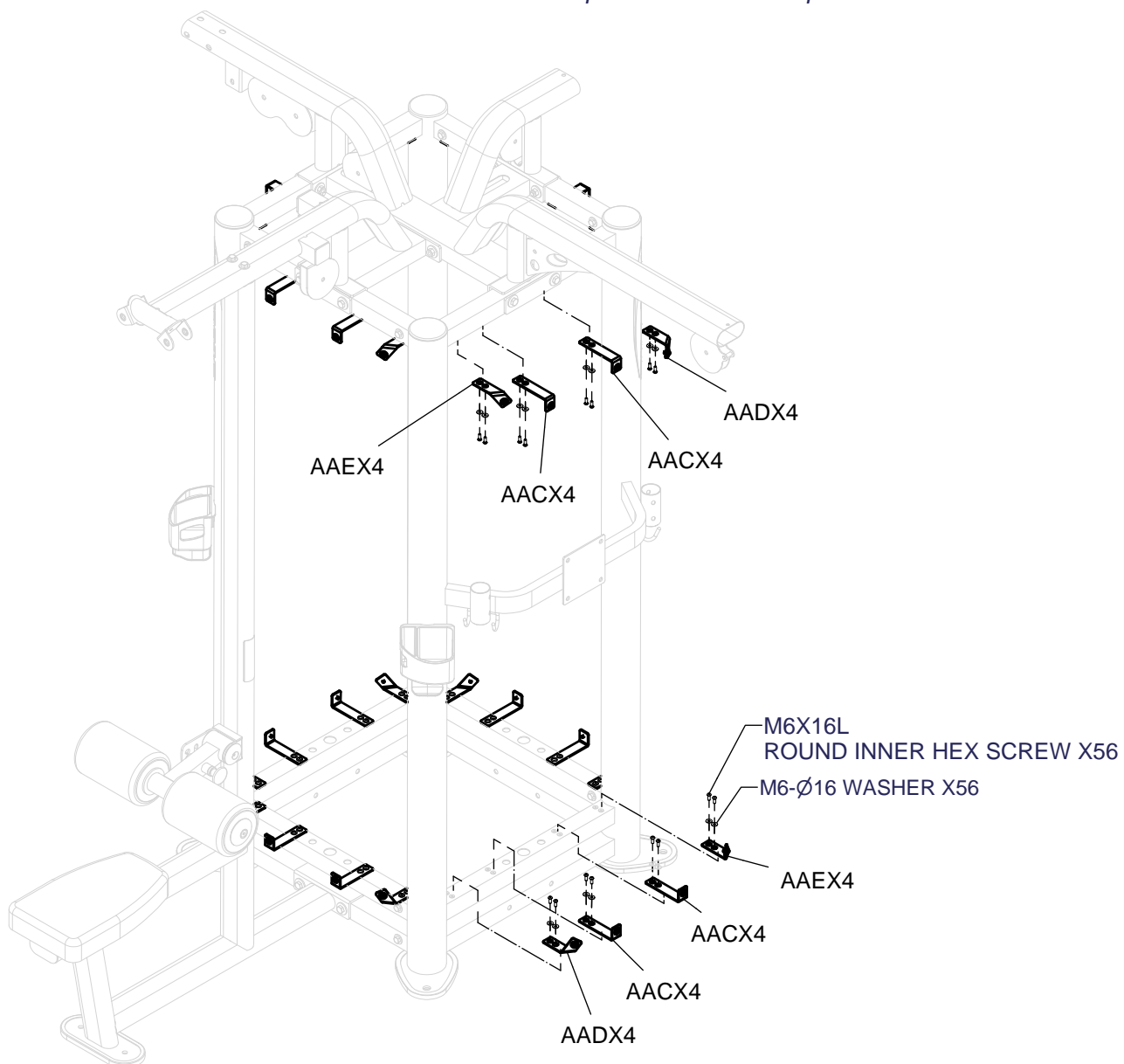


JG4000 ASSEMBLY INSTRUCTIONS

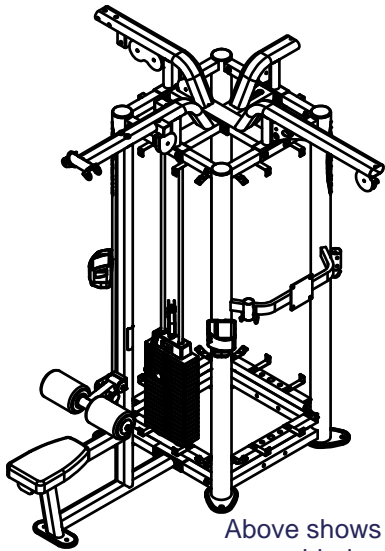


Above shows STEP 2.1 assembled and completed

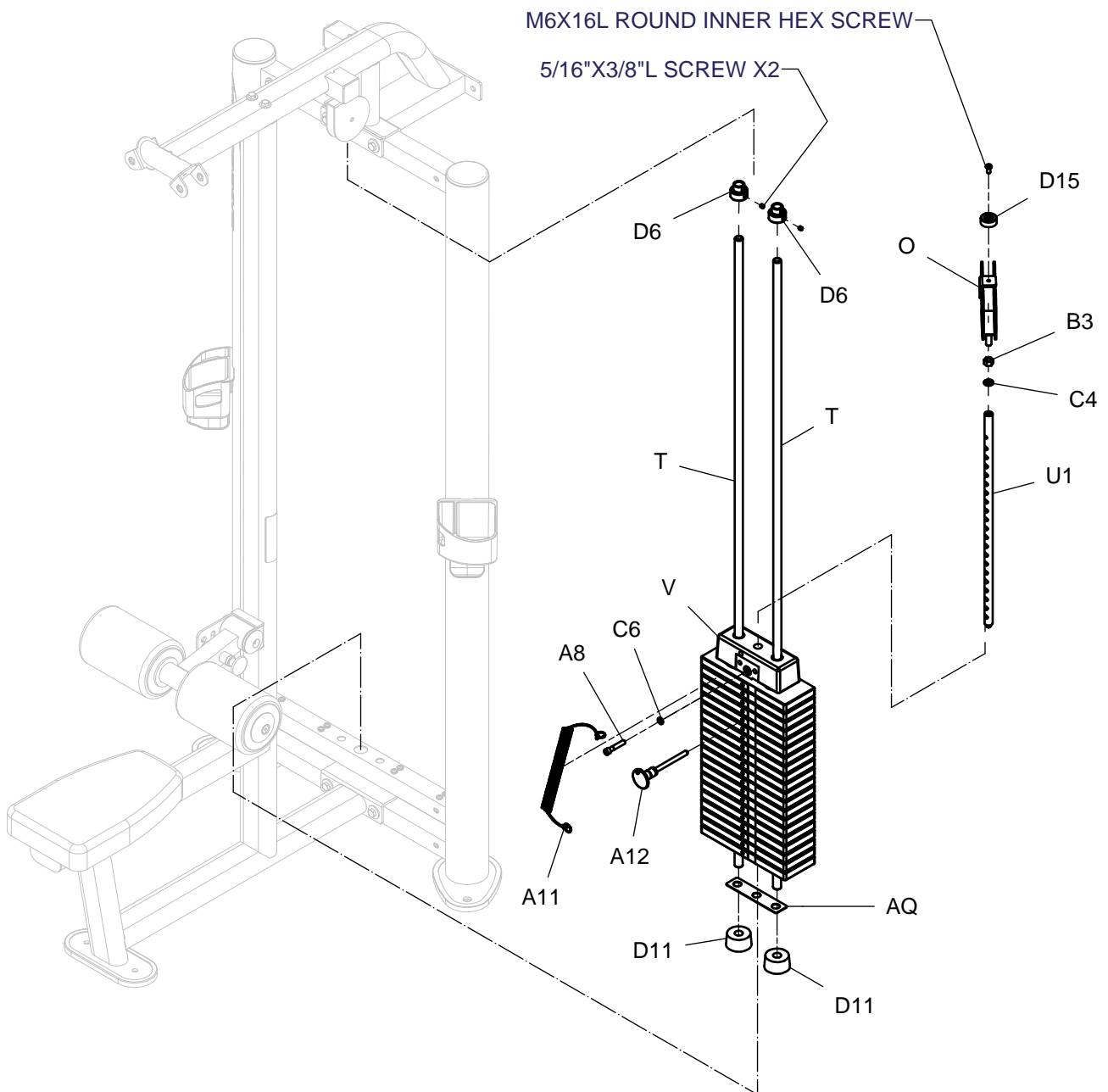
When buying a JGC,
JGC is collocated in JG4000S, JG5000S, JG8000S



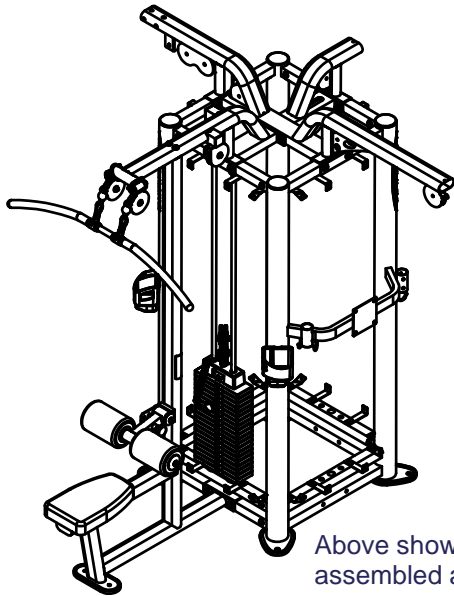
JG4000 ASSEMBLY INSTRUCTIONS



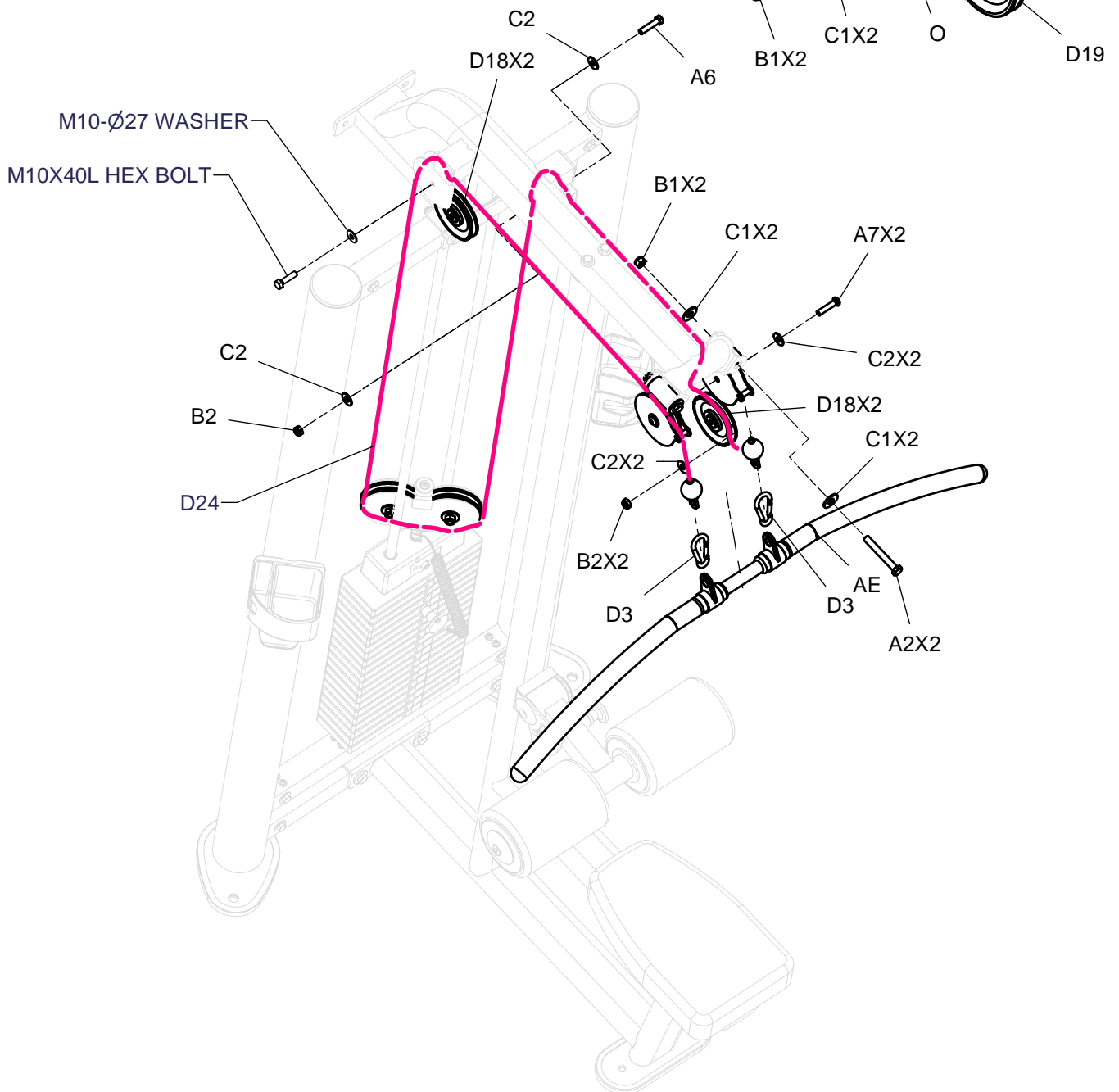
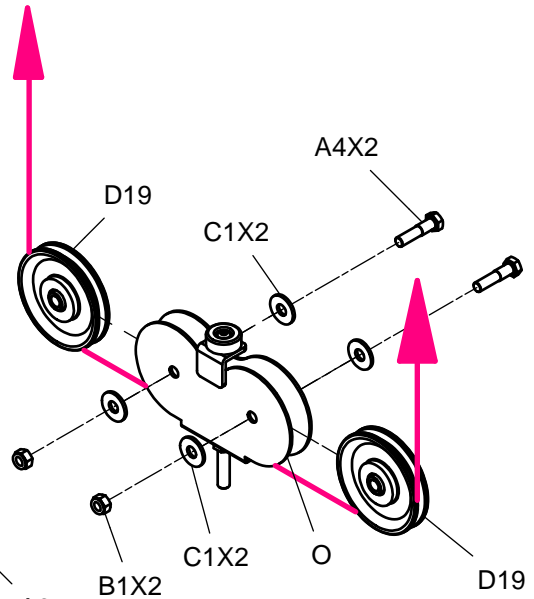
Above shows STEP 3 assembled and completed



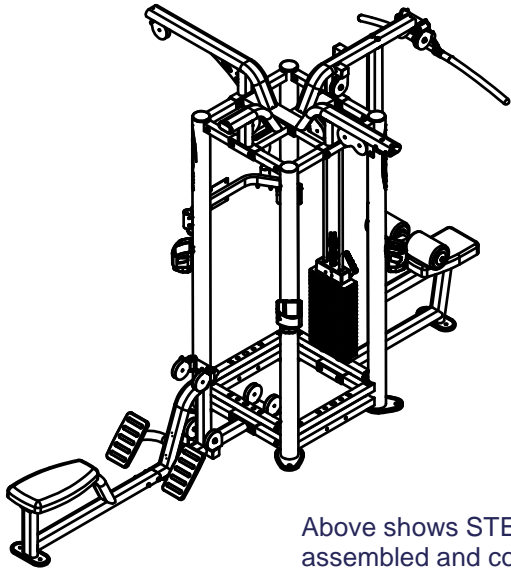
JG4000 ASSEMBLY INSTRUCTIONS



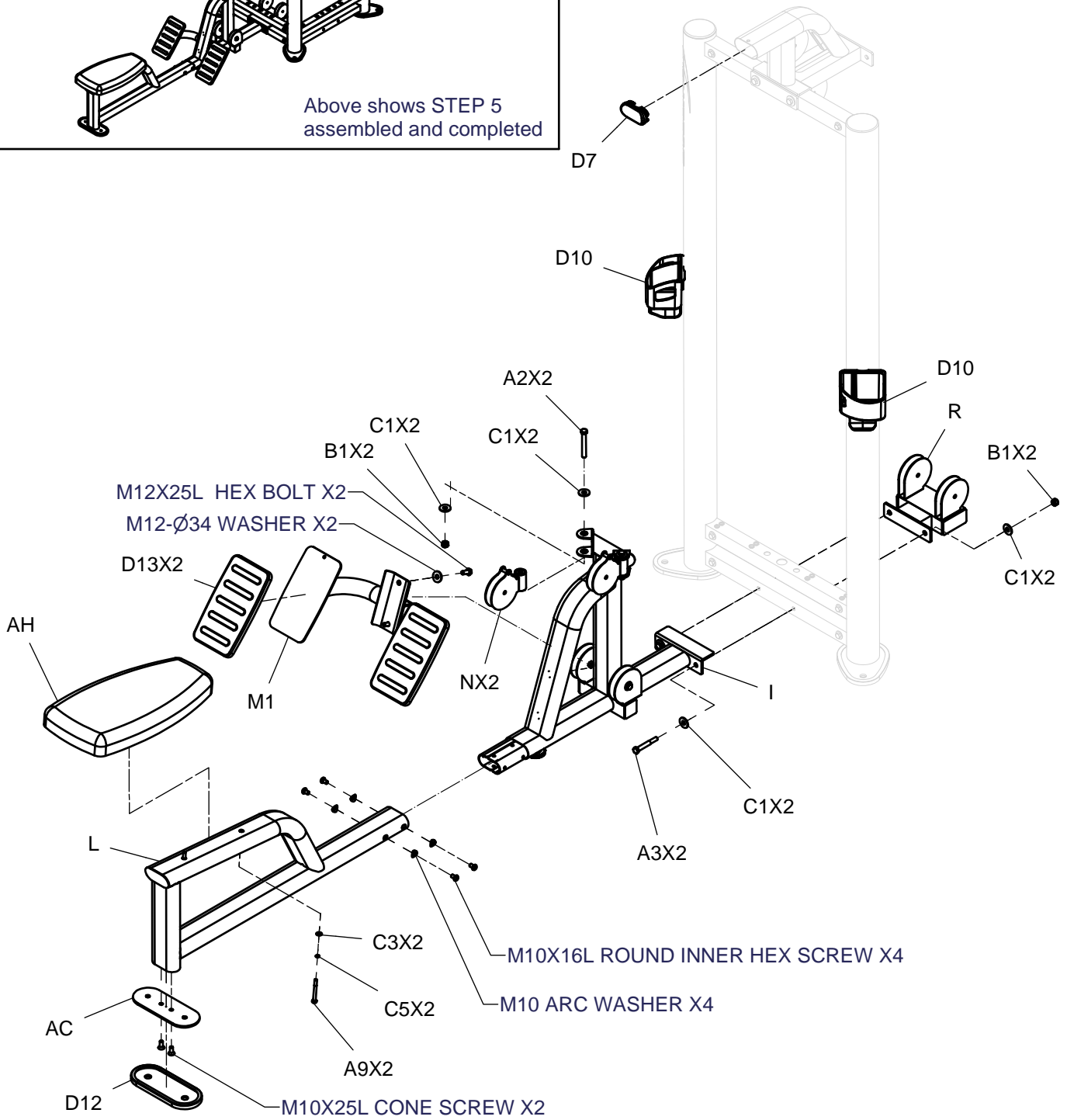
Above shows STEP 4 assembled and completed



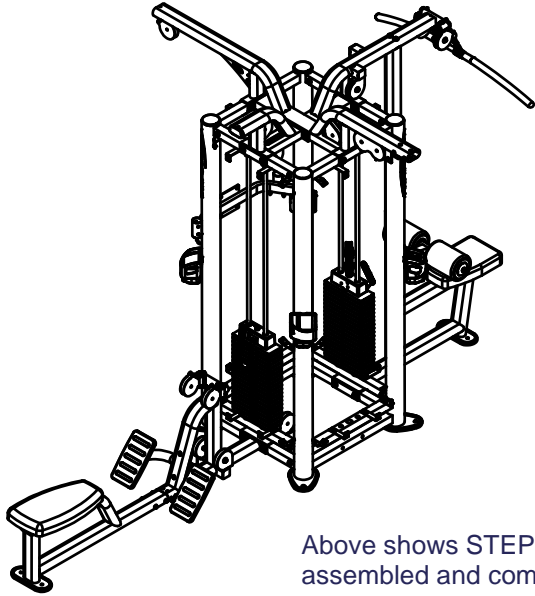
JG4000 ASSEMBLY INSTRUCTIONS



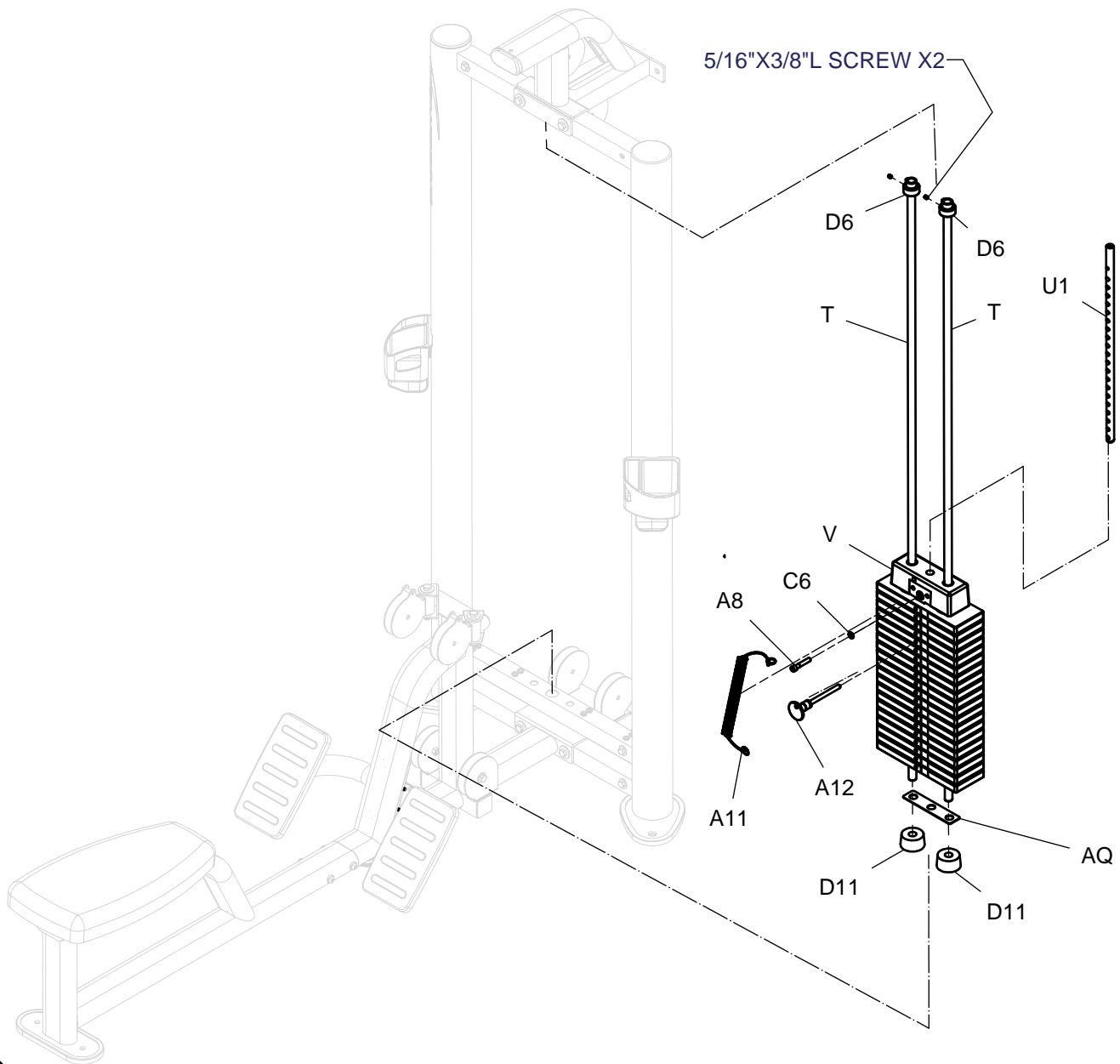
Above shows STEP 5 assembled and completed



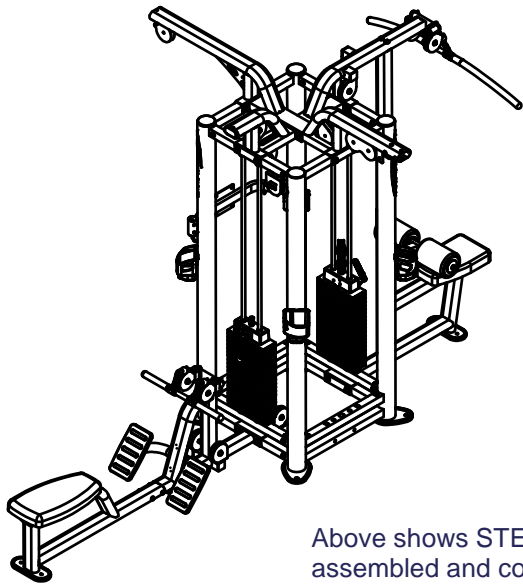
JG4000 ASSEMBLY INSTRUCTIONS



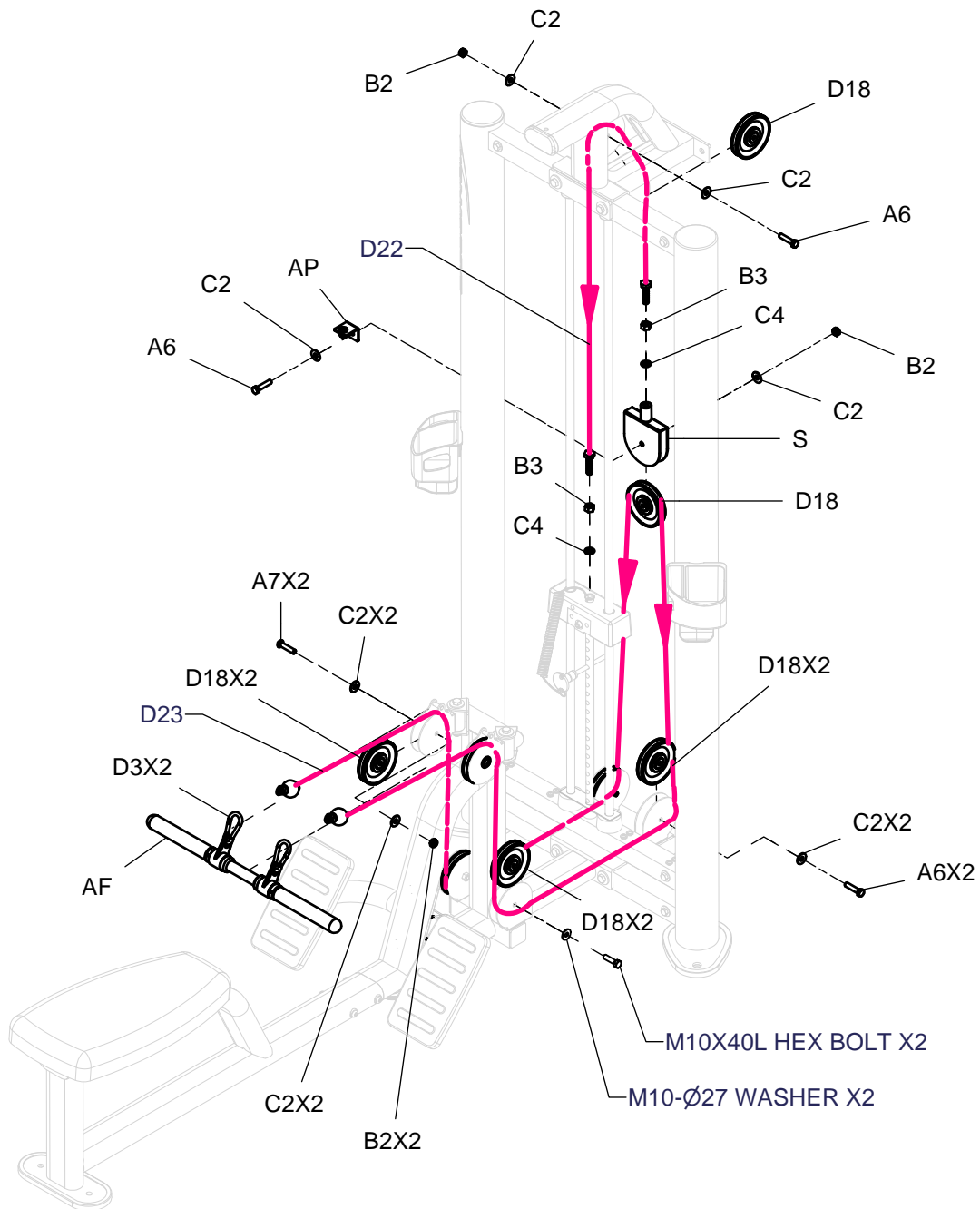
Above shows STEP 6 assembled and completed



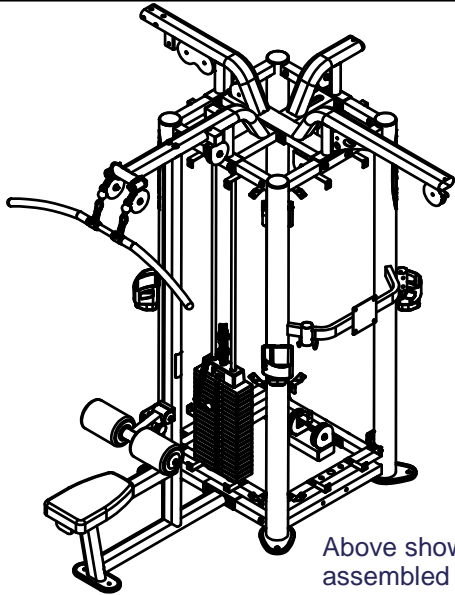
JG4000 ASSEMBLY INSTRUCTIONS



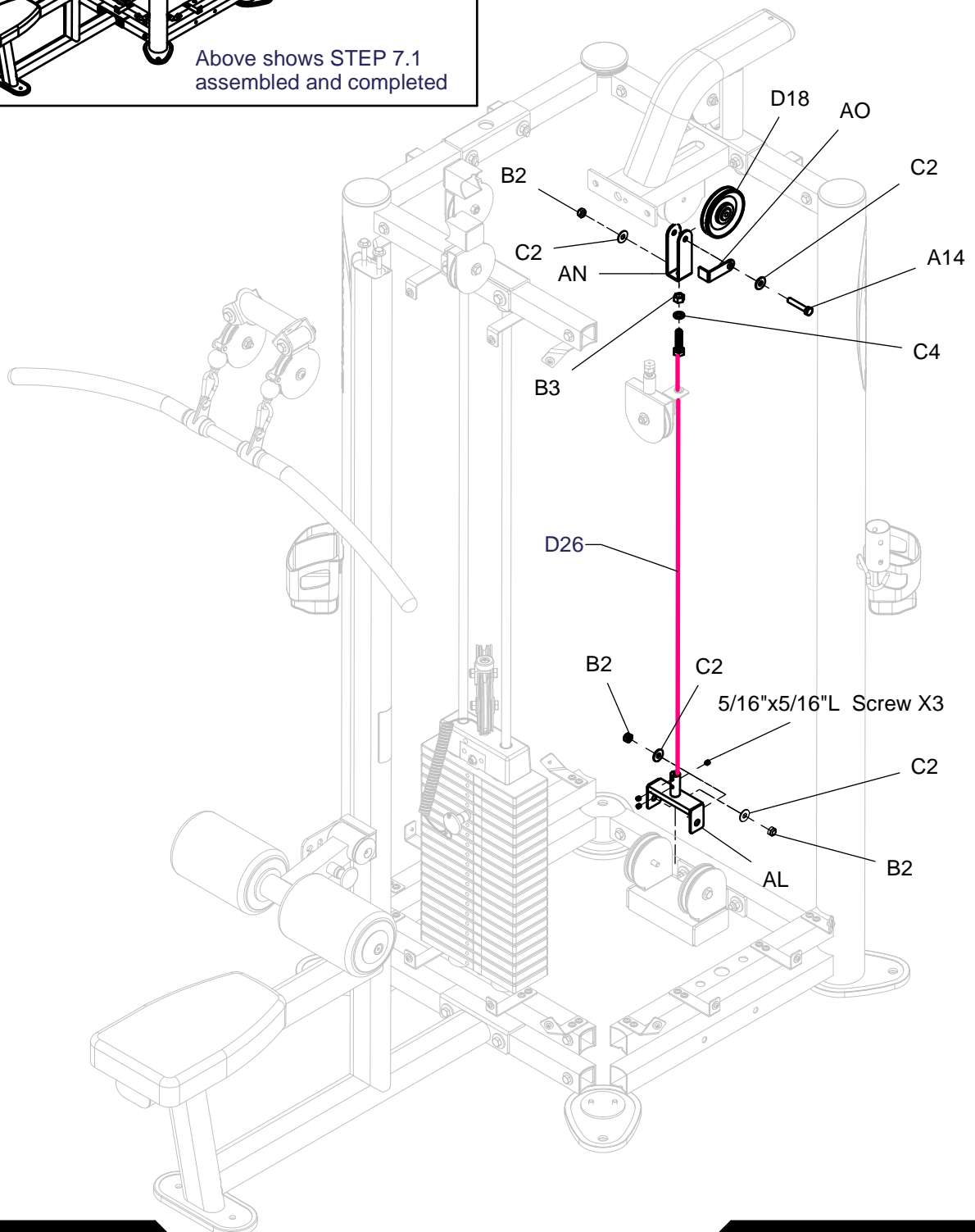
Above shows STEP 7 assembled and completed



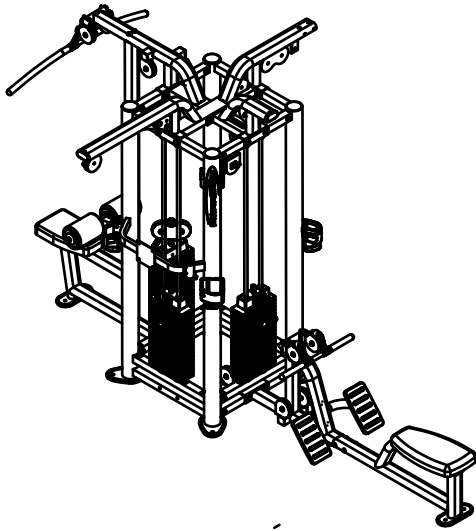
JG4000 ASSEMBLY INSTRUCTIONS



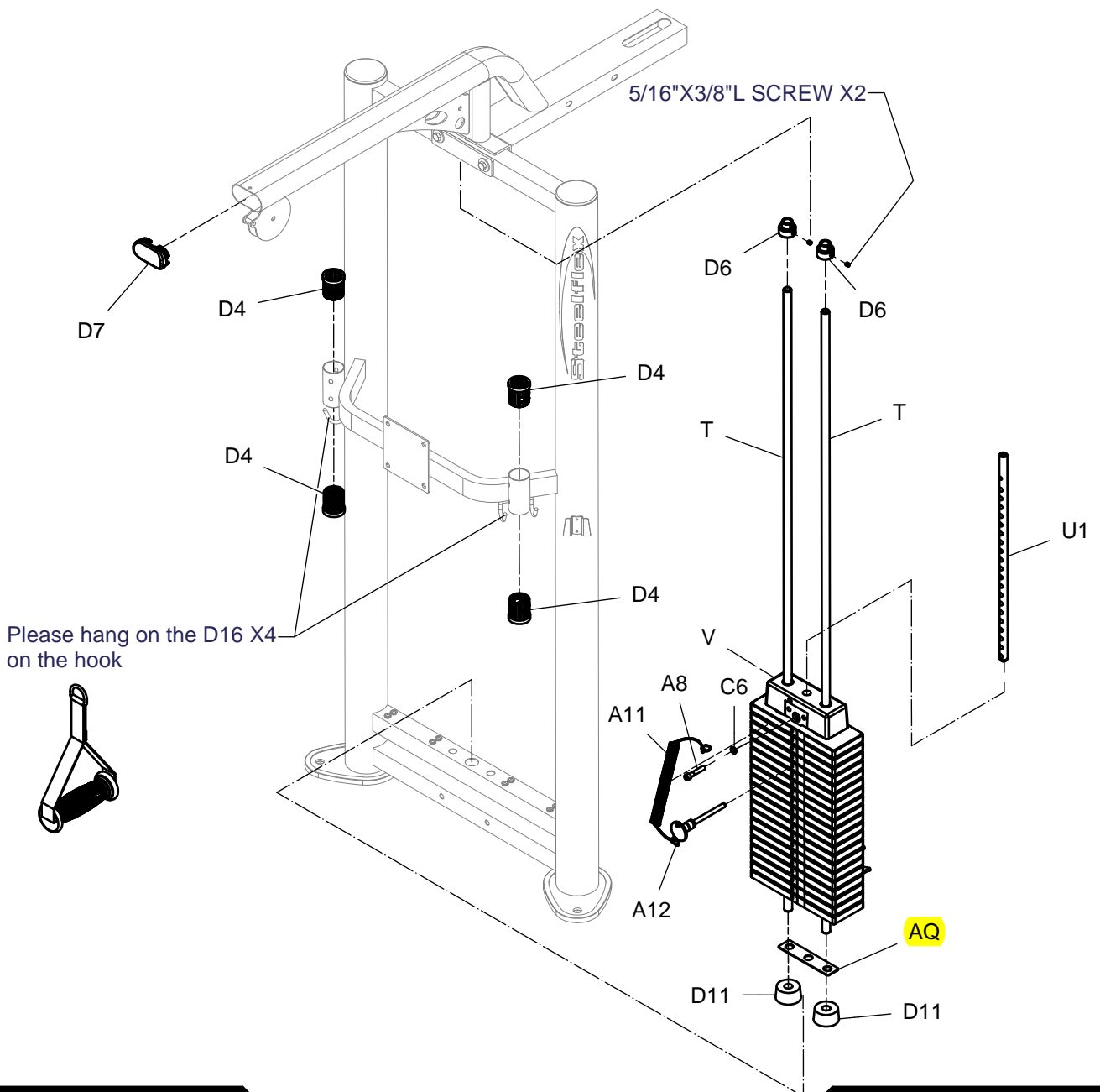
Above shows STEP 7.1 assembled and completed



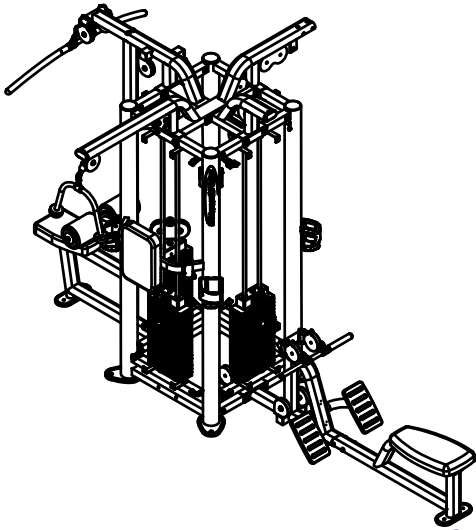
JG4000 ASSEMBLY INSTRUCTIONS



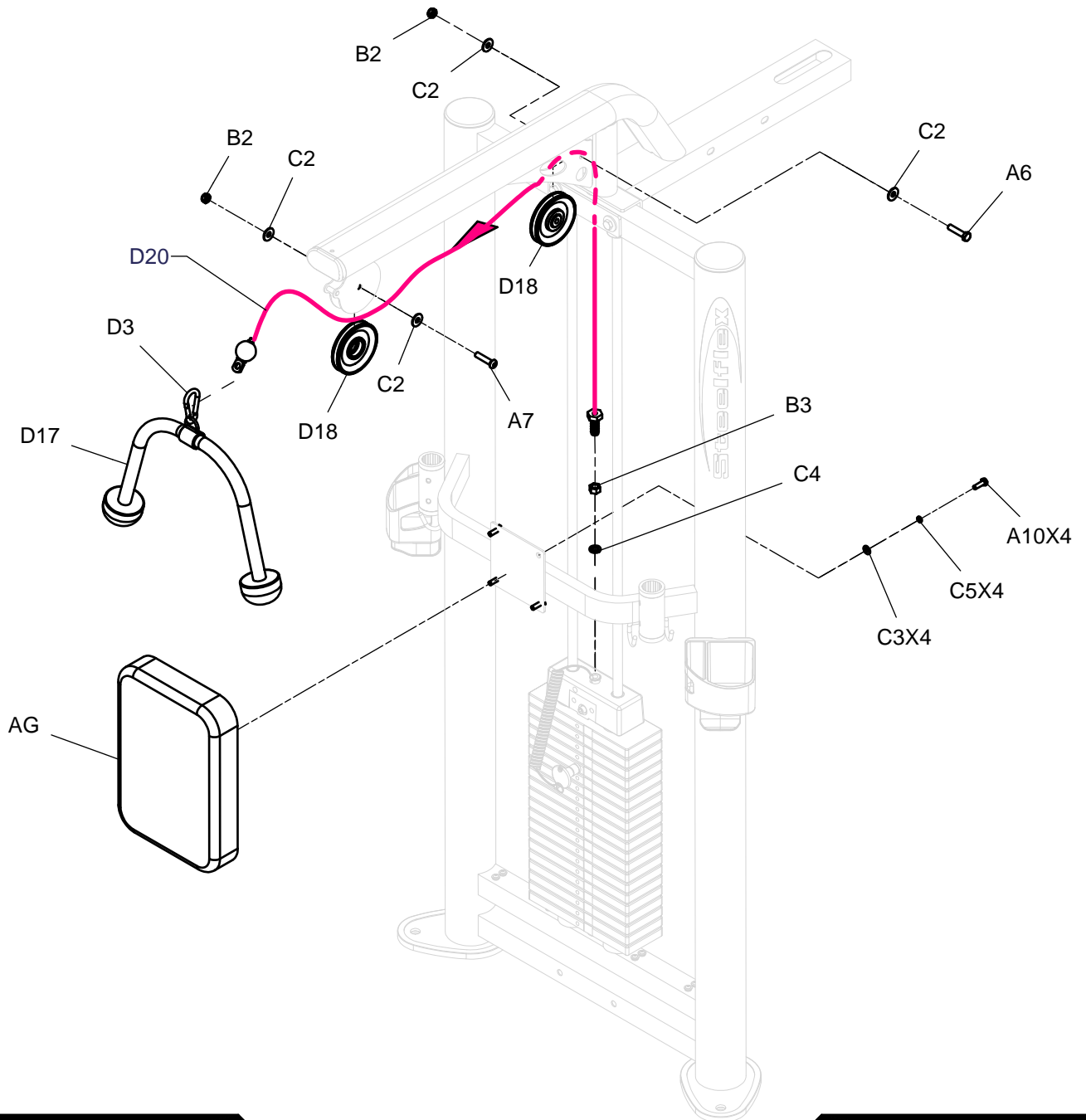
Above shows STEP 8 assembled and completed



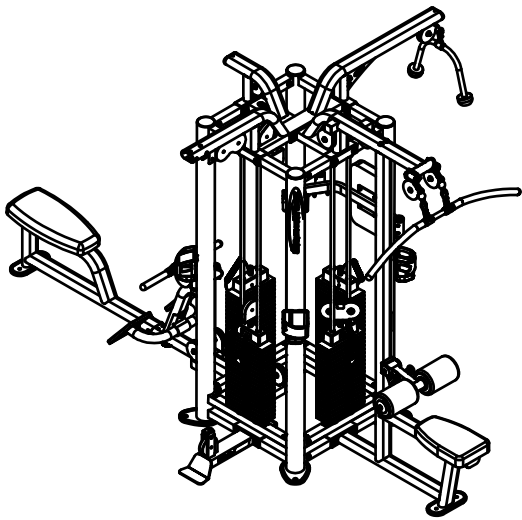
JG4000 ASSEMBLY INSTRUCTIONS



Above shows STEP 9 assembled and completed

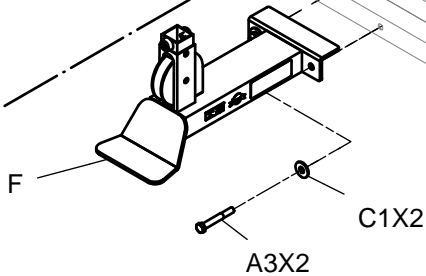
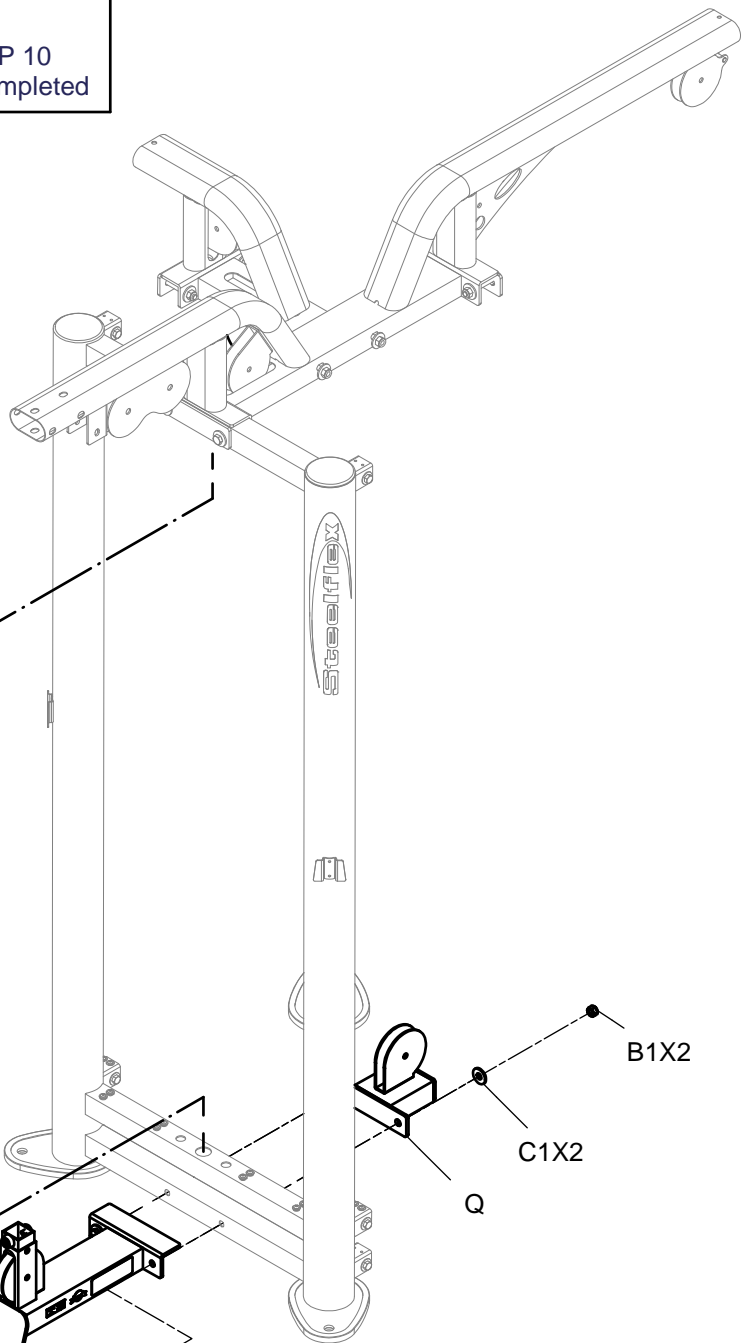
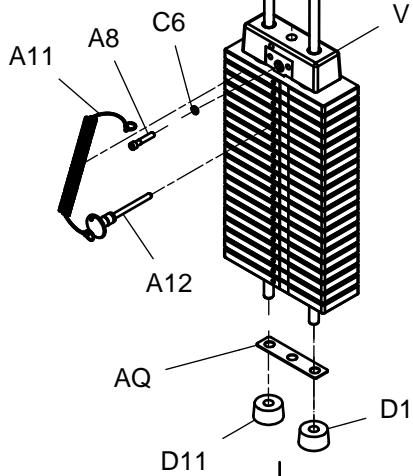
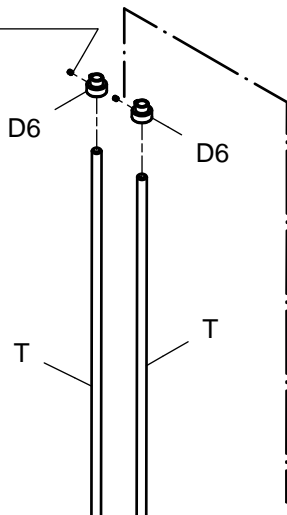
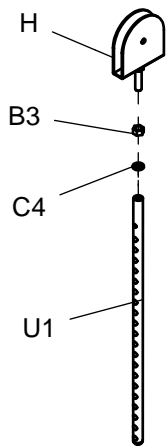


JG4000 ASSEMBLY INSTRUCTIONS

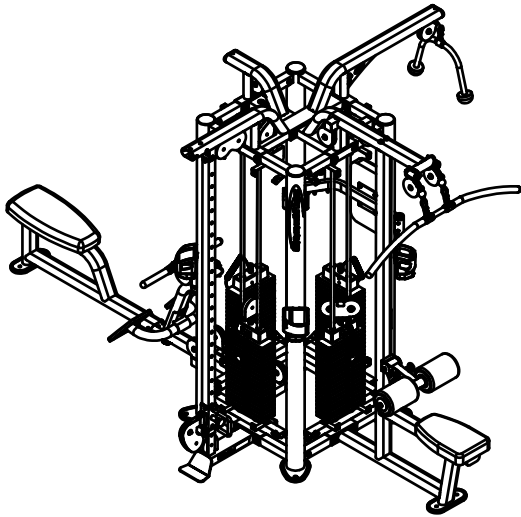


Above shows STEP 10 assembled and completed

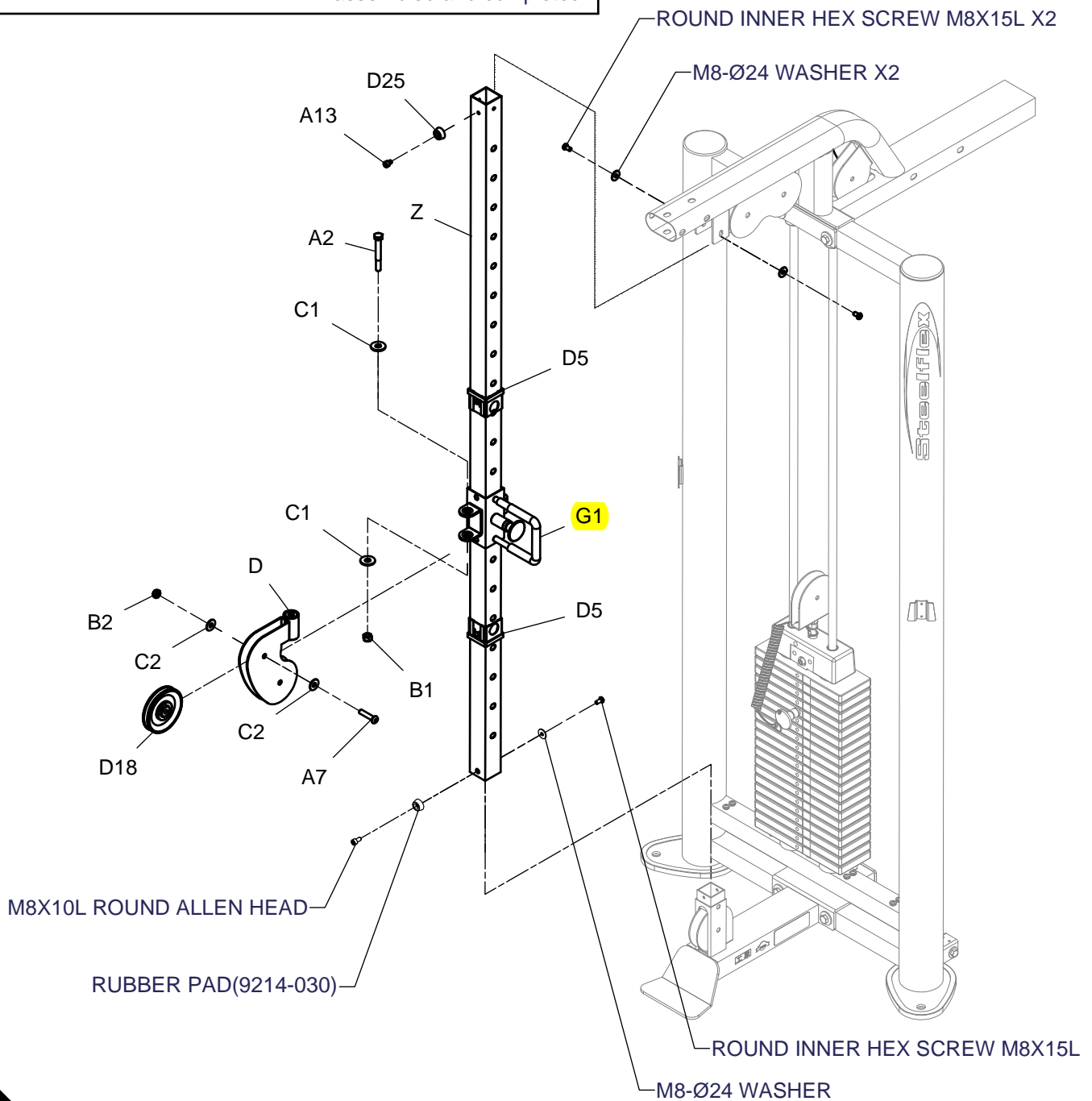
5/16"X3/8"L SCREW X2



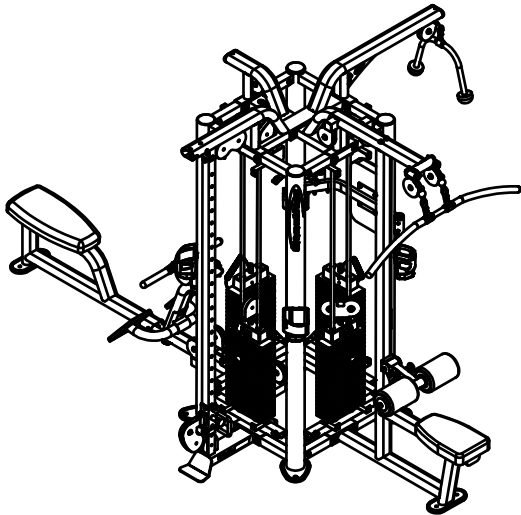
JG4000 ASSEMBLY INSTRUCTIONS



Above shows STEP 11 assembled and completed

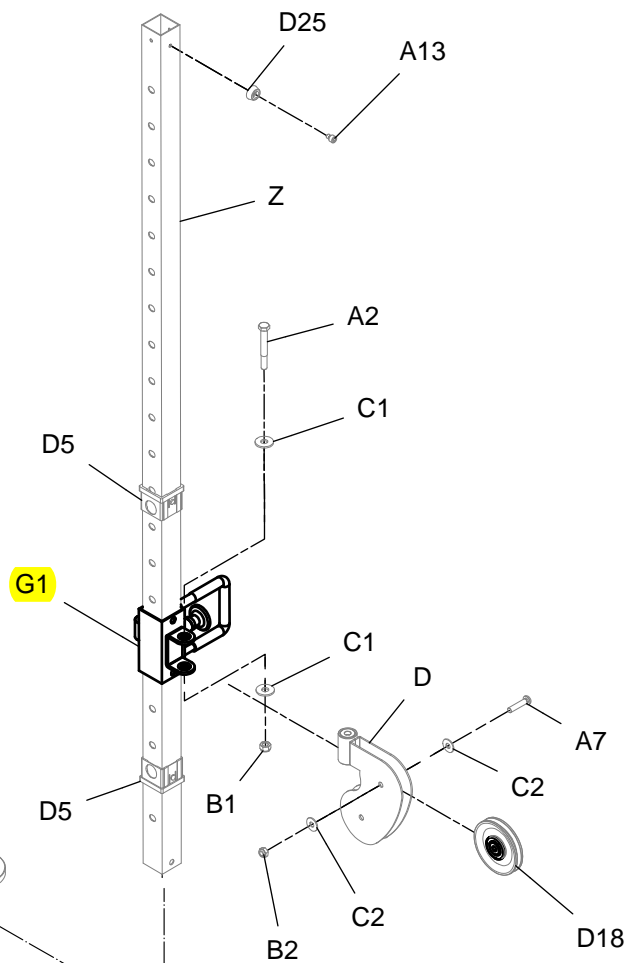
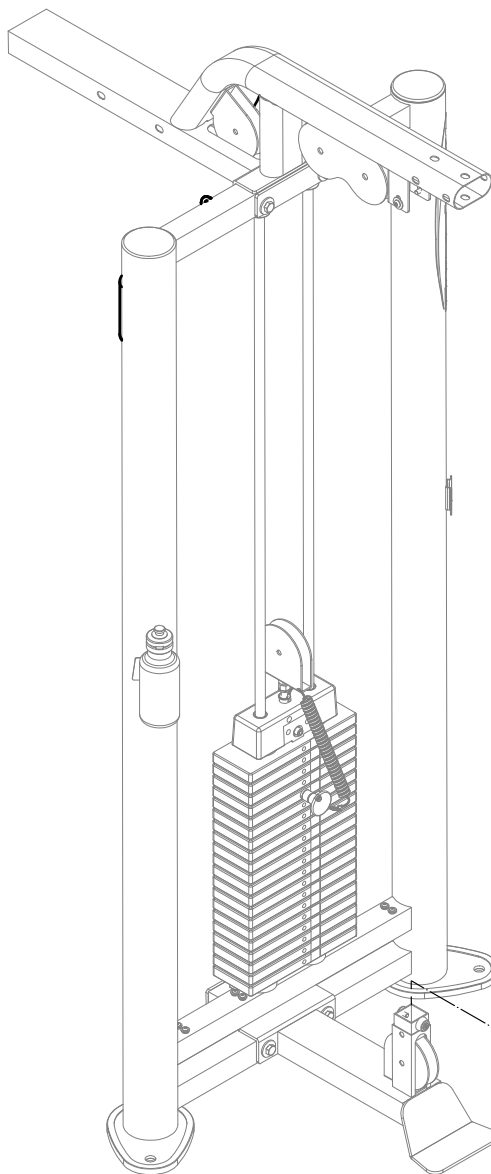


JG4000 ASSEMBLY INSTRUCTIONS

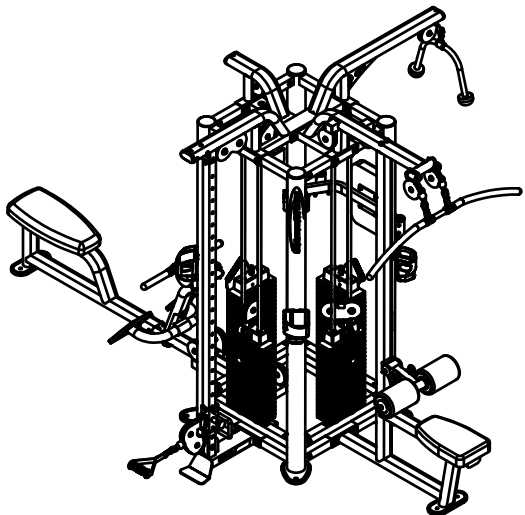


Above shows STEP 11.1 assembled and completed

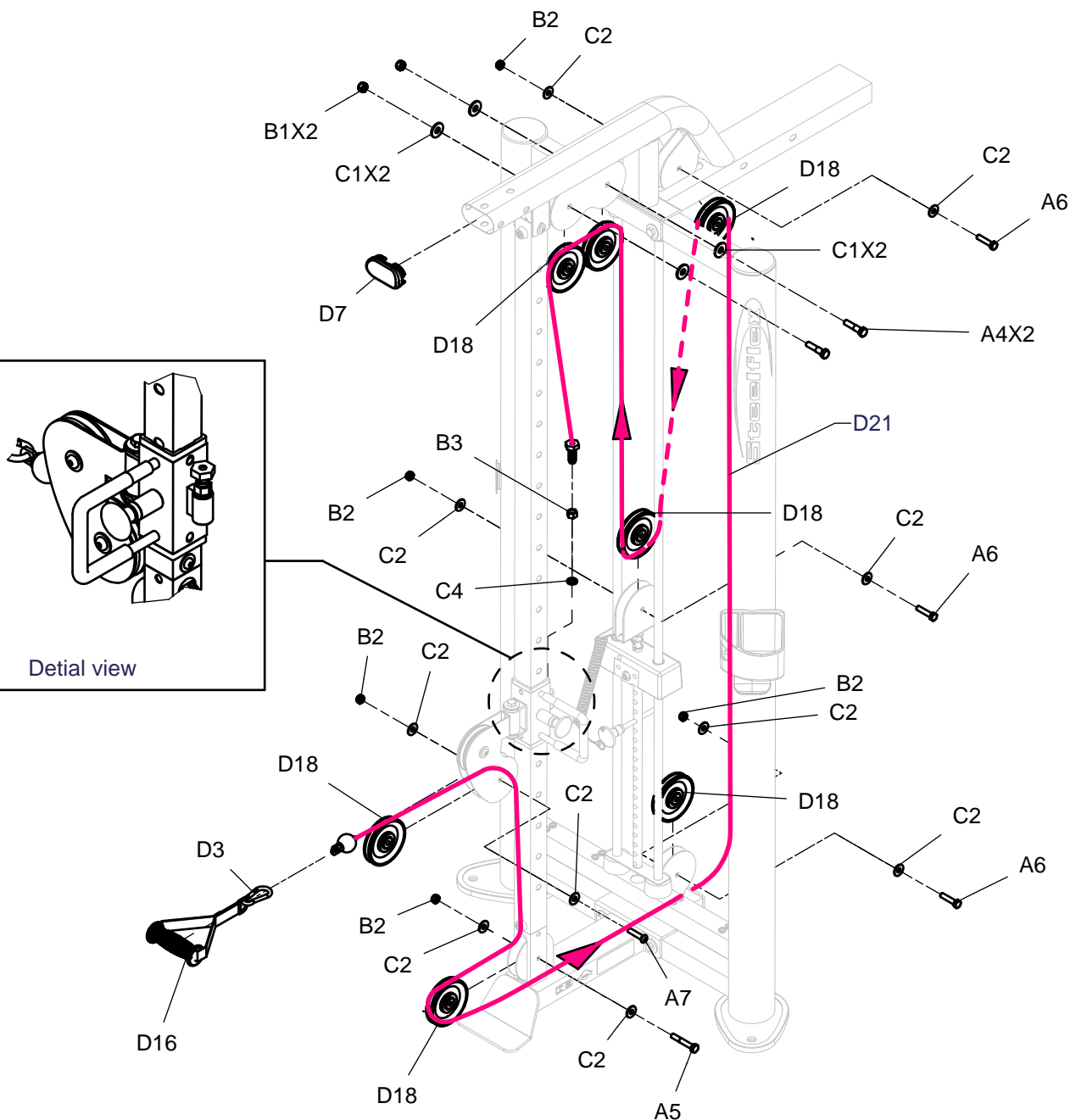
When buying JG8000, JG8000S, please replace one of the JG4000~G1, see the following picture



JG4000 ASSEMBLY INSTRUCTIONS

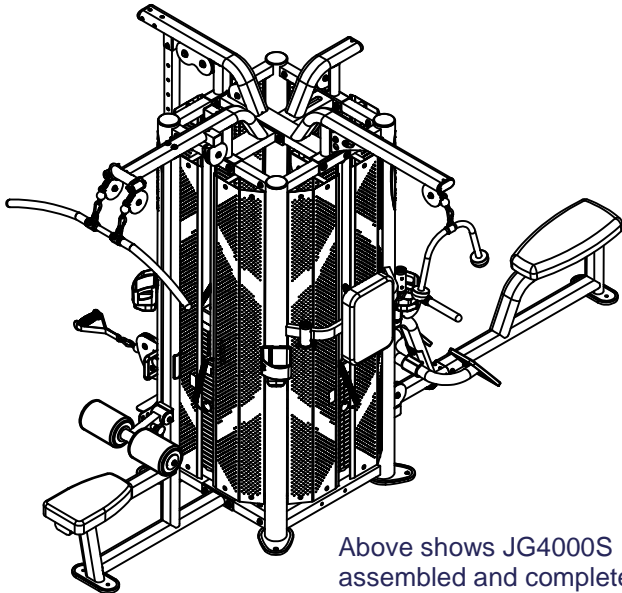


Above shows STEP 12 assembled and completed



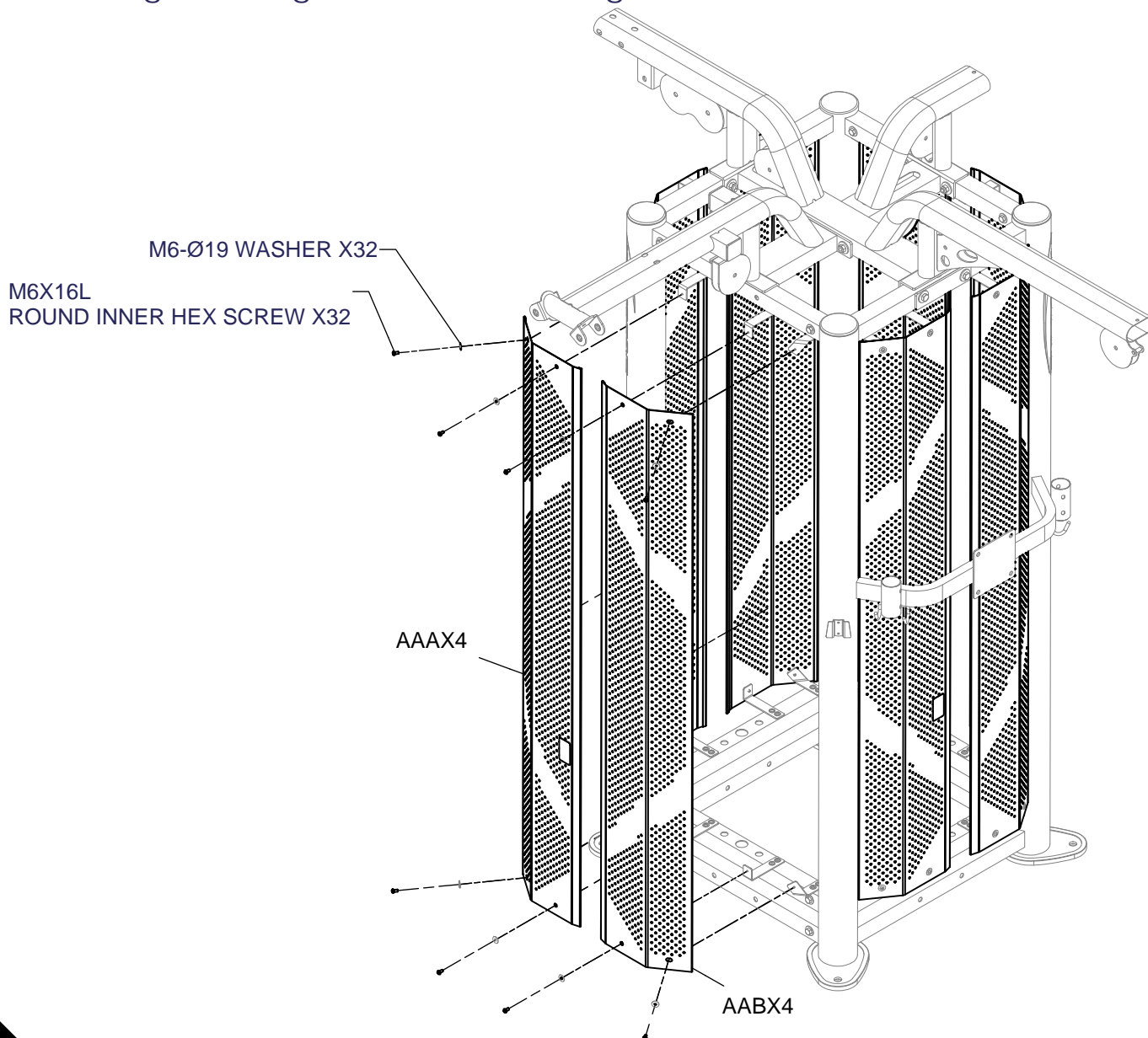
Detail view

JG4000 ASSEMBLY INSTRUCTIONS

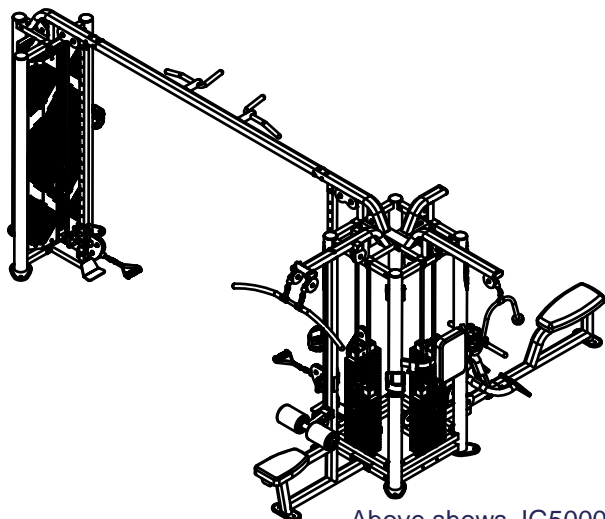


Above shows JG4000S assembled and completed

When buying JG4000S,
following the diagram of assembling

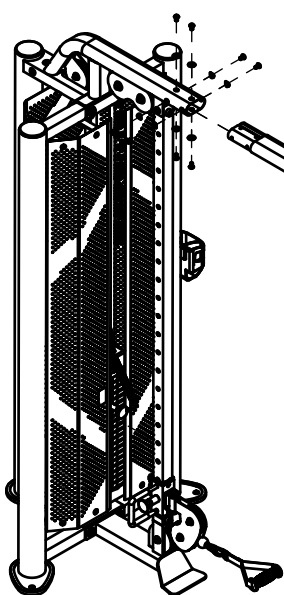
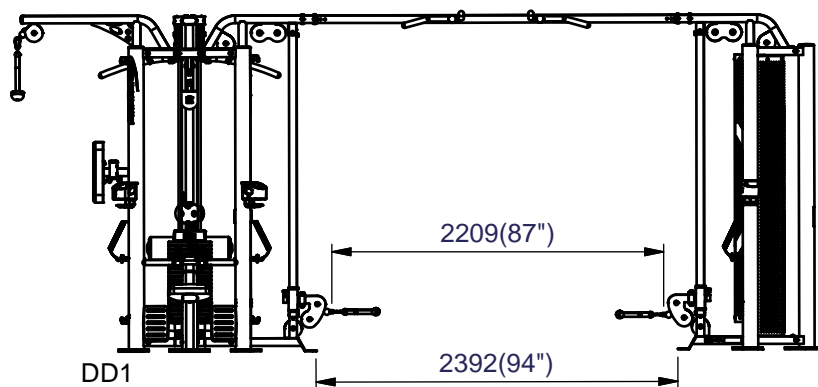


JG4000 ASSEMBLY INSTRUCTIONS



Above shows JG5000 assembled and completed

When buying JG5000, following the diagram of assembling

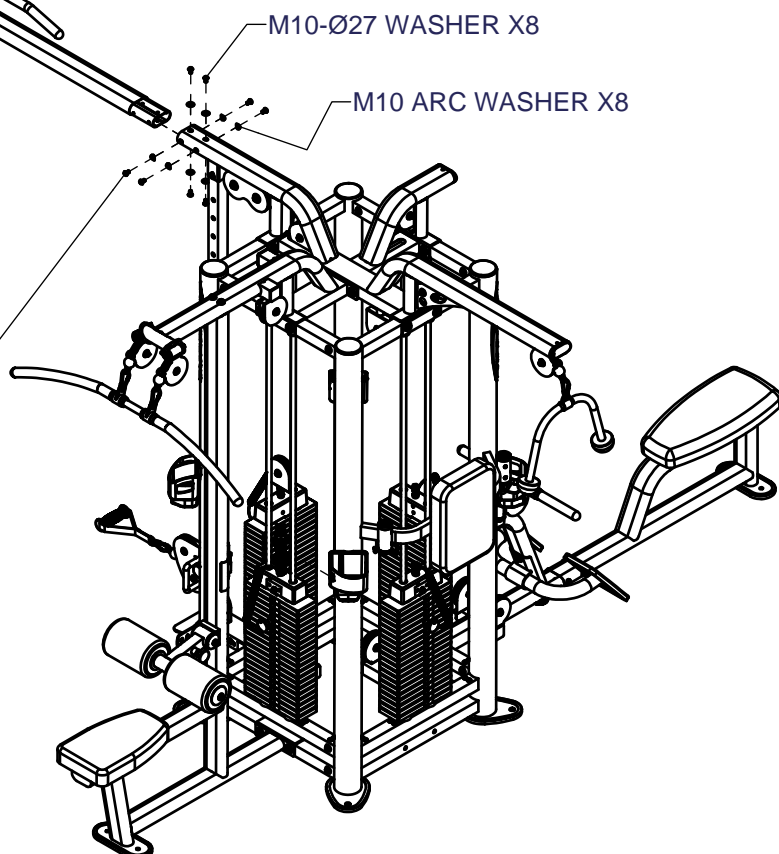


DD1
BA

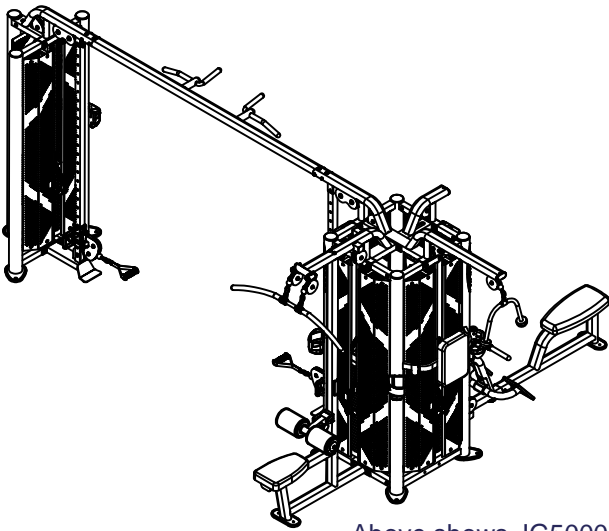
DD1

M10-Ø27 WASHER X8
M10 ARC WASHER X8

M10X16 ROUND INNER HEX SCREW X16

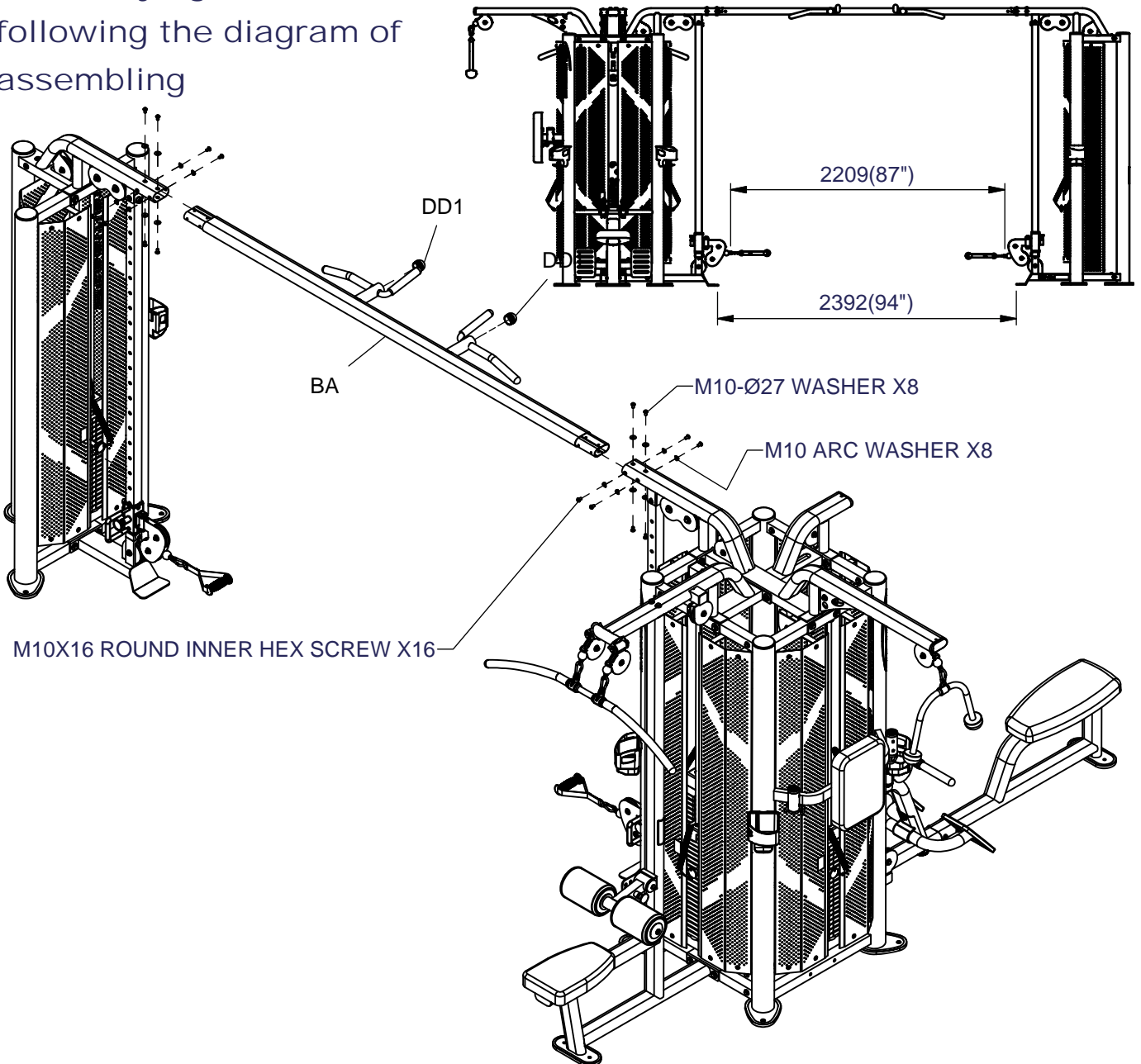


JG4000 ASSEMBLY INSTRUCTIONS

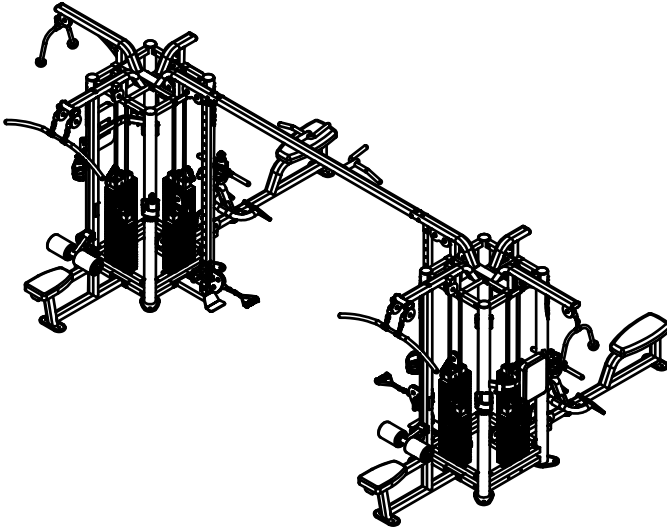


Above shows JG5000S assembled and completed

When buying JG5000S, following the diagram of assembling

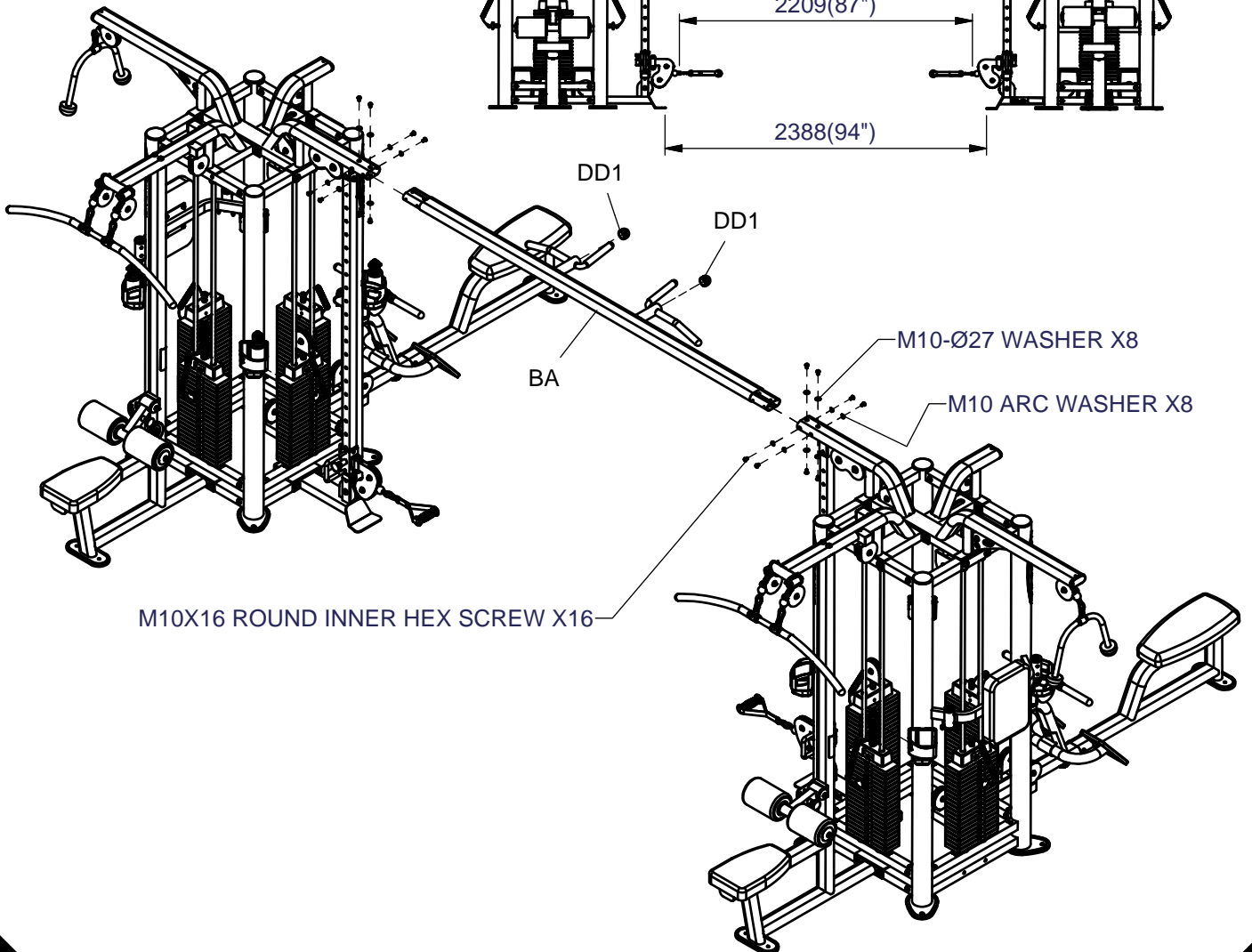
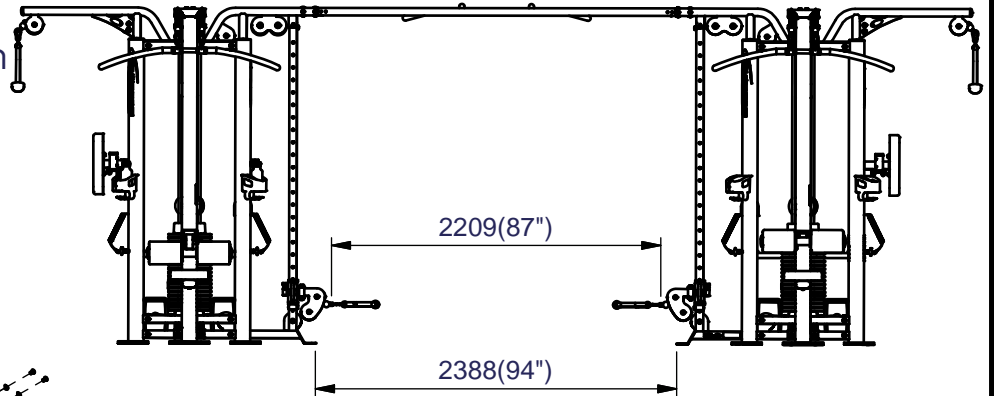


JG4000 ASSEMBLY INSTRUCTIONS

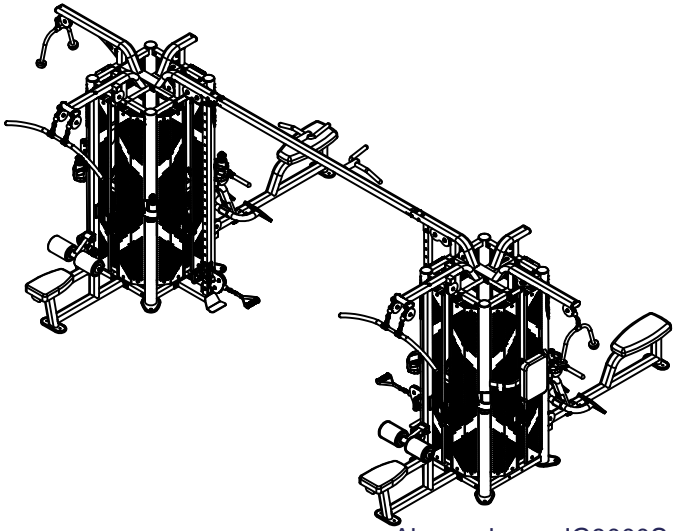


Above shows JG8000 assembled and completed

When buying JG8000, following the diagram of assembling

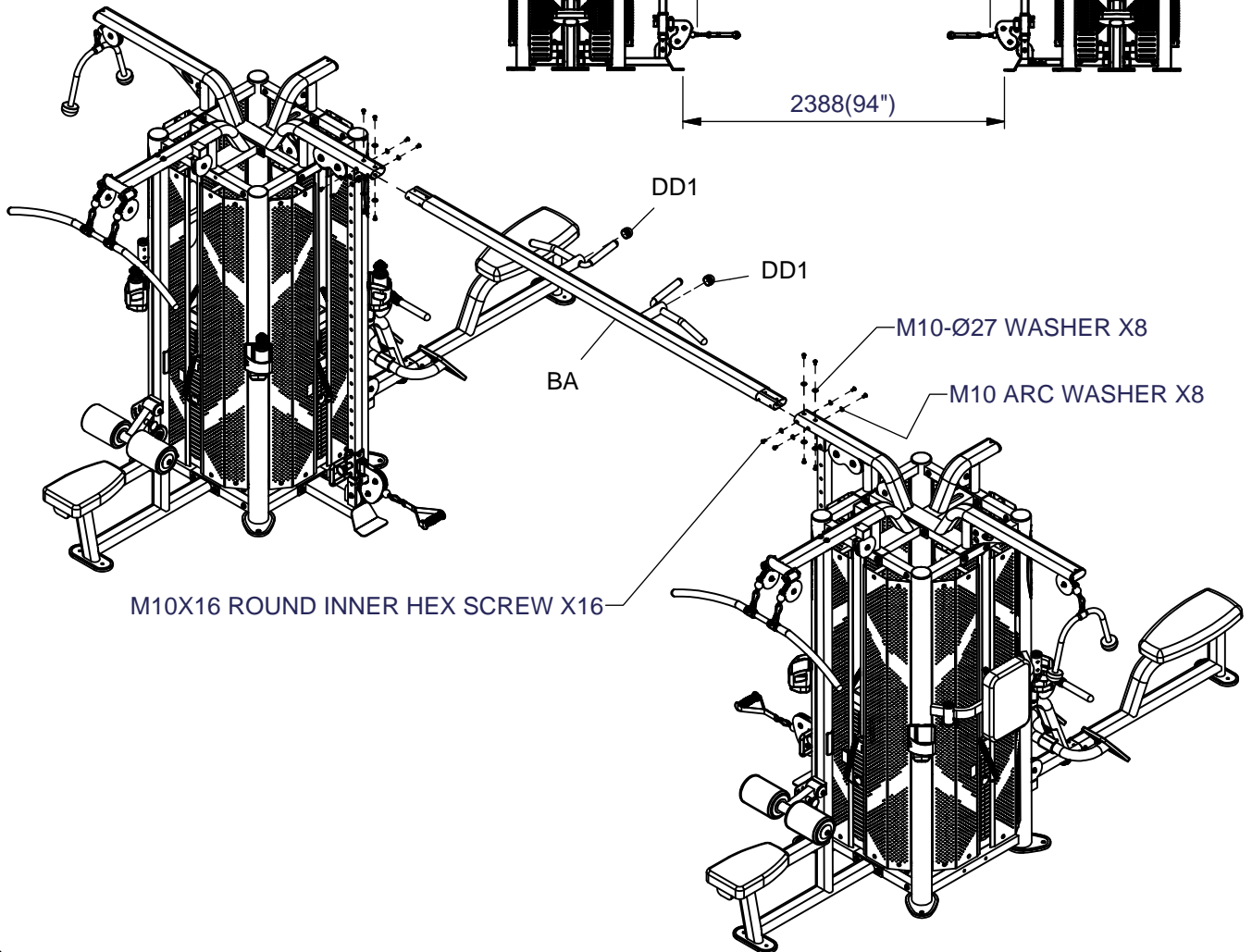
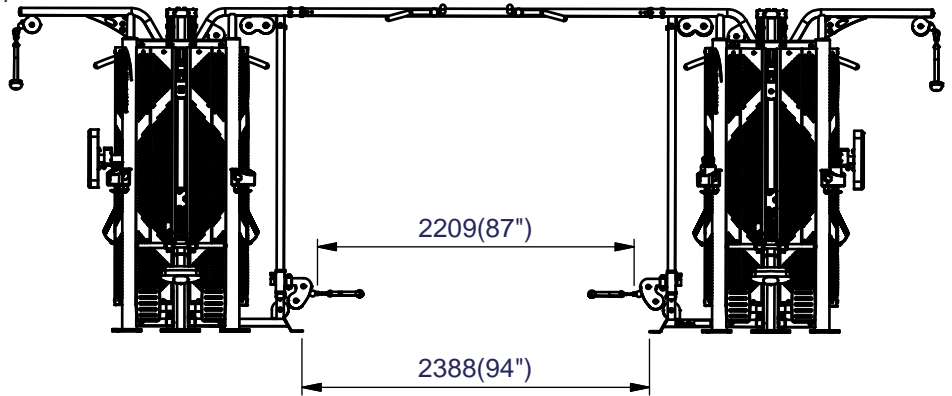


JG4000 ASSEMBLY INSTRUCTIONS

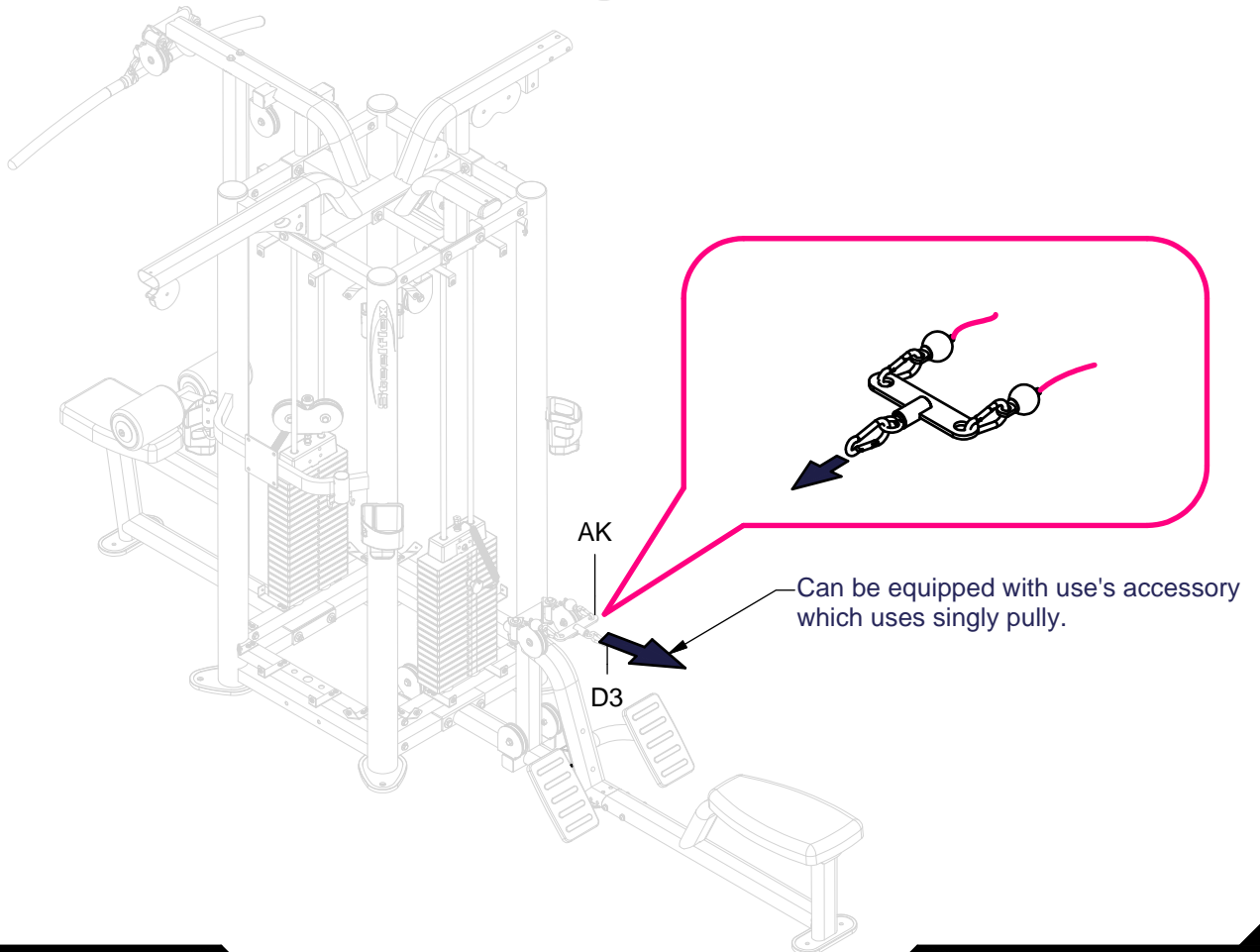
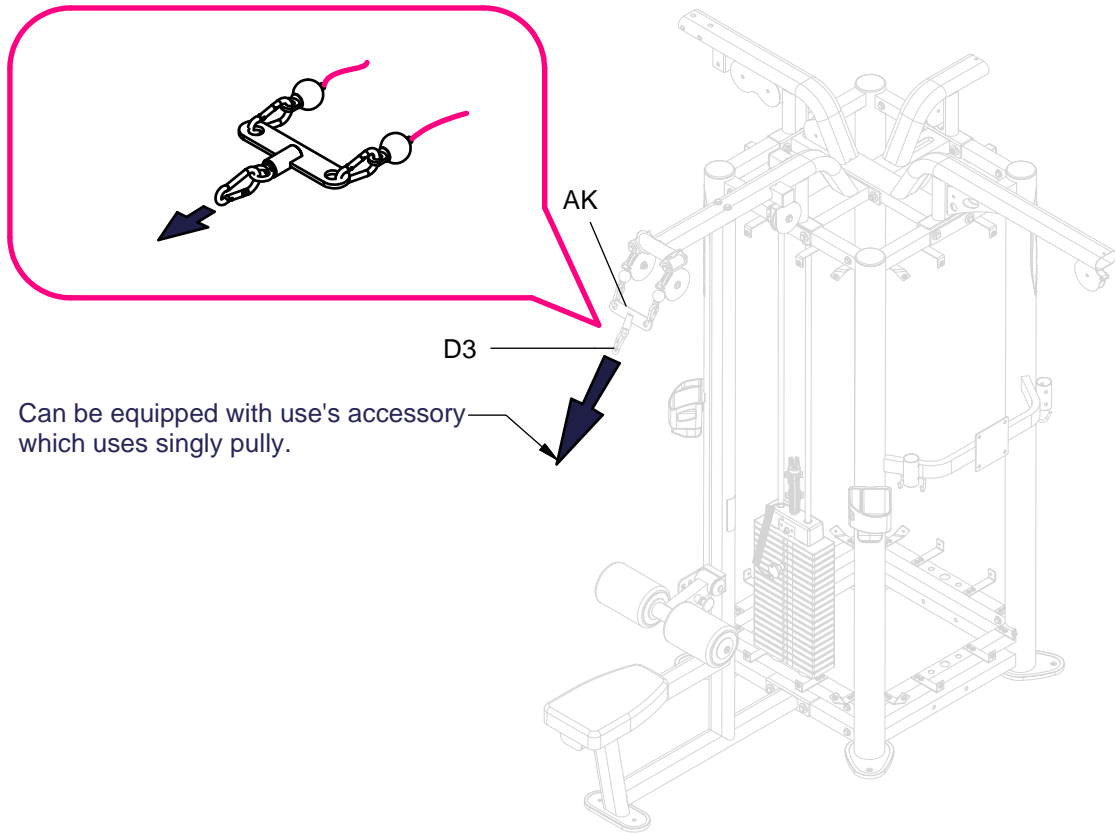


Above shows JG8000S assembled and completed

When buying JG8000S, following the diagram of assembling

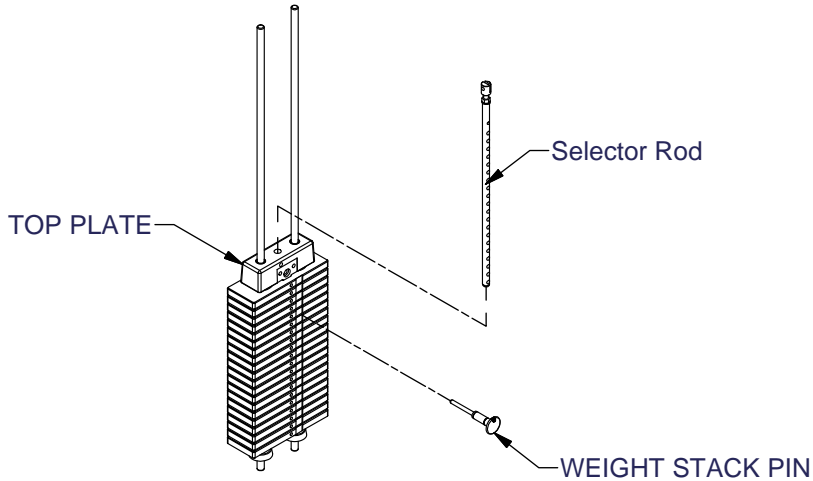


Supplementary information



Guide on Selector Rod Adjustment

STEP 1

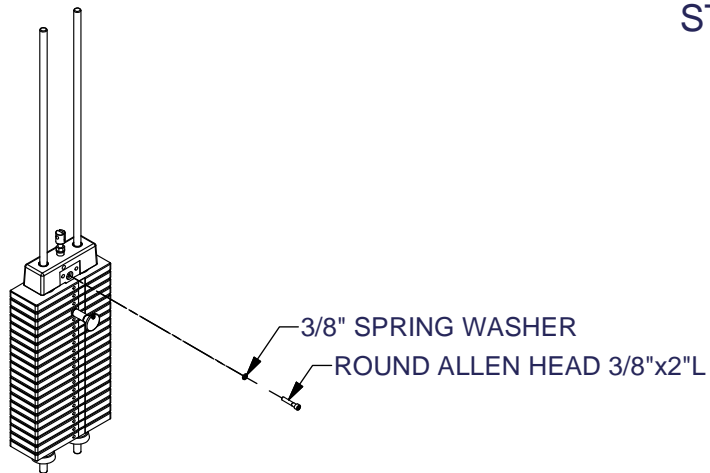


Step 1

Place Selector Rod into Top Plate.

Then put selector pin into the weight plate to fix the rod.

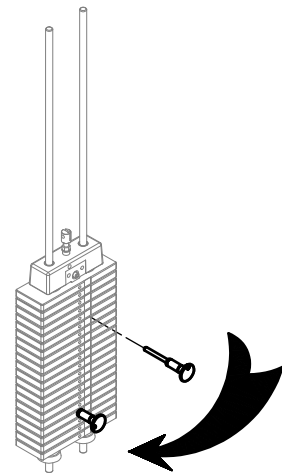
STEP 2



Step 2

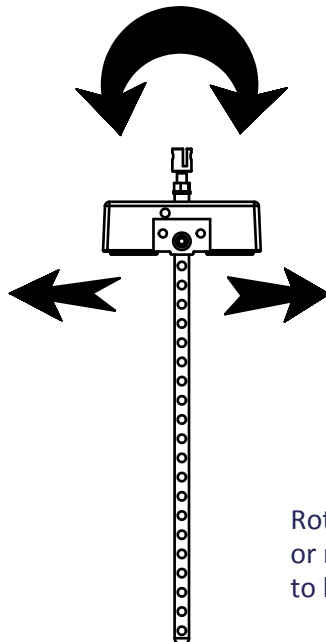
Screw the 3/8"x2"L Round Allen Head into Top Plate but not tighten it up.

STEP 3



Step 3

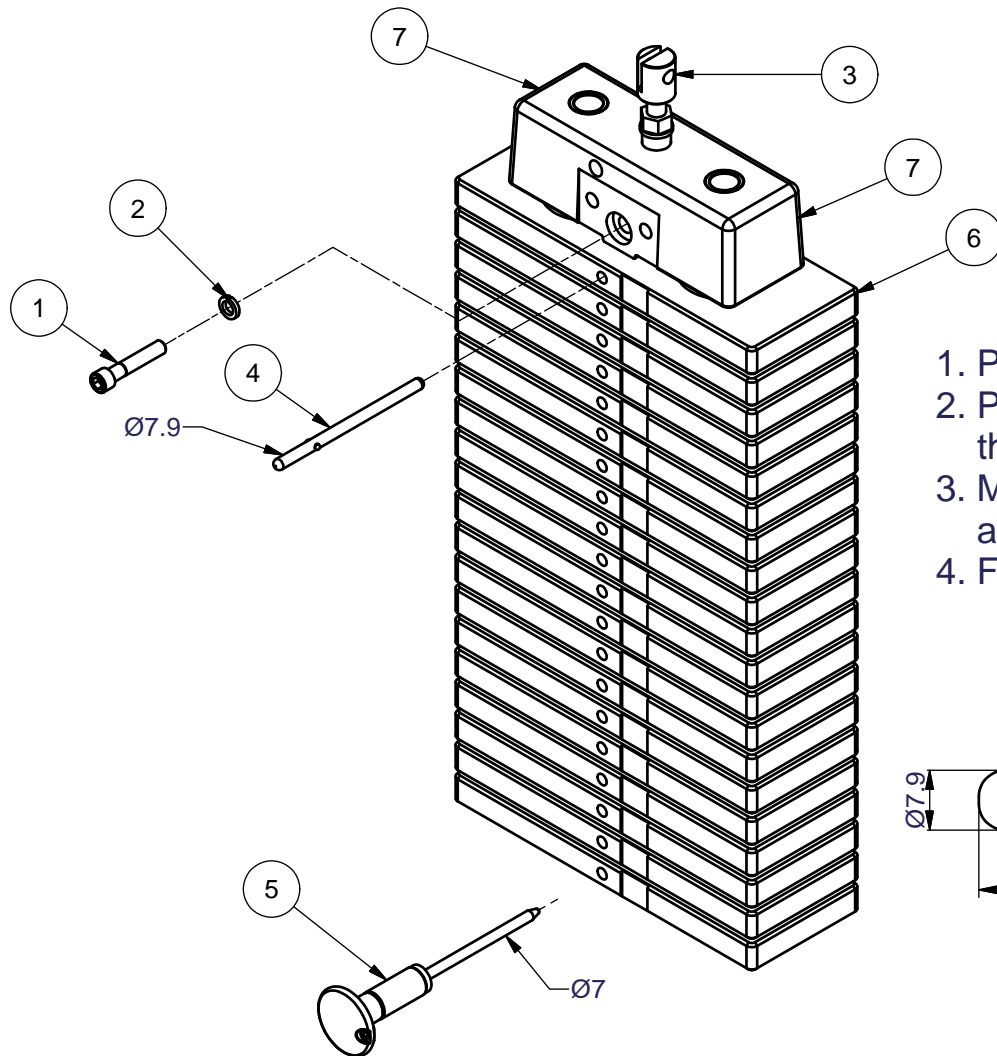
Place the selector pin to each weight plate (5,10,15,20...) to check the smoothness.



Rotate the Selector Rod slightly or move the 3/8"x2"L Round Allen Head to left and right and repeat Step 3.

MEGA POWER series JUNGLE GYM series

project	Part number	Name	Specification	Quantity	Remark
1	38-200 CAP	round allen head	3/8"X2"L round allen head-CAP	1	
2	38-SPWAS 8732003	3/8" spring washer		1	
3	8210-216C	20 hole Selector Rod		1	
4	8250-166	pin	Ø7.9X137L	1	
5	8250-162	weight stack pin	Ø7X110L	1	
6	8400-010	10LB weight stack plate	102x22tx280L 10LB	20	
7	8400-033	top plate		1	



1. Place #4 - 8250-166 (pin) into the first weight plate.
2. Place #5 - 8250-162 (weight stack pin) into the the hole 20th of the weight stack.
3. Make sure #7 (top plate) cling to #6 (first weight plate) and fix in #1 - 3/8"X2"L screw and #2 - 3/8" spring washer.
4. Finally remove #5 - 8250-162 (weight stack pin) and use as usual.

