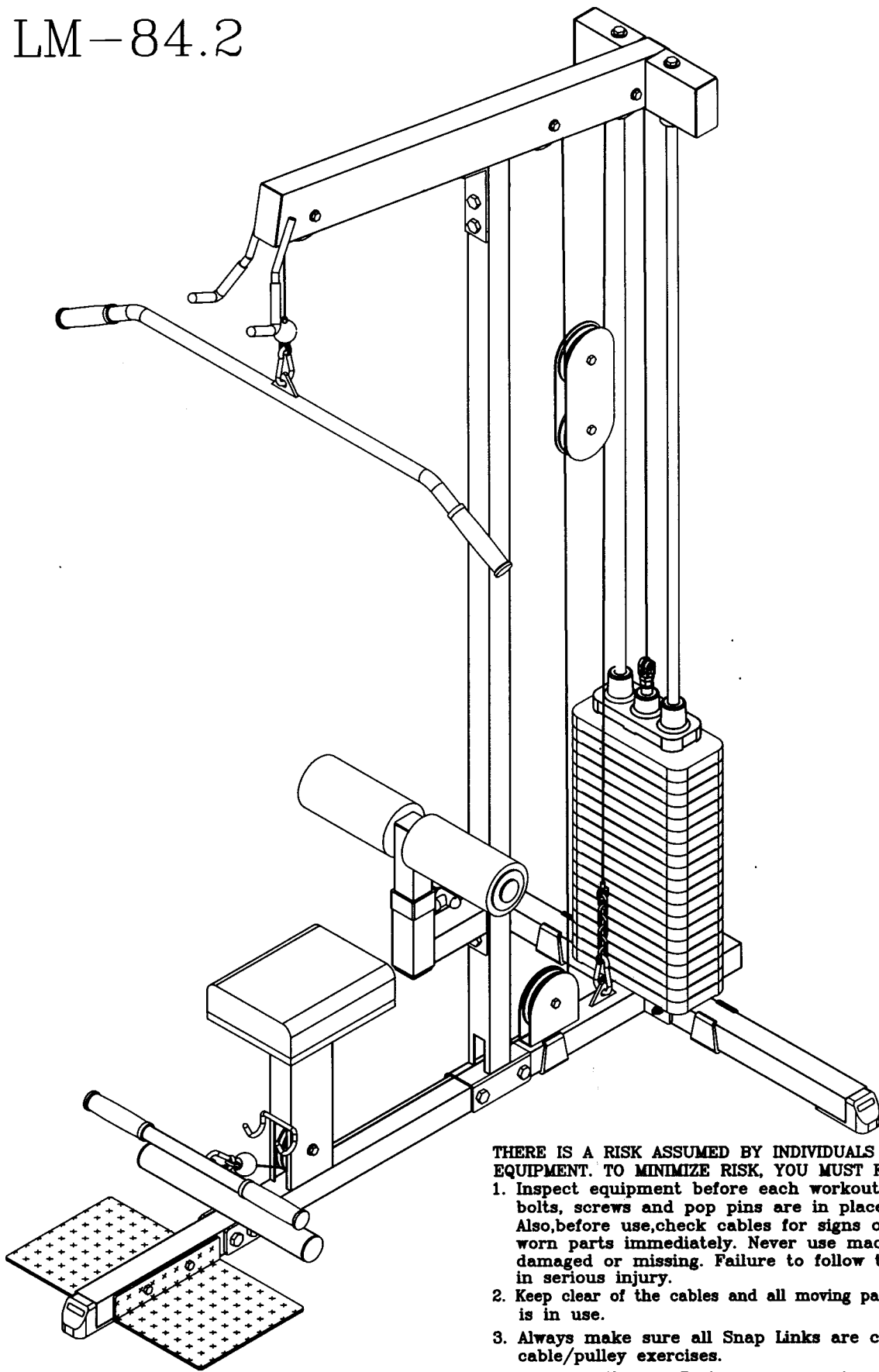


LM-84.2



**THERE IS A RISK ASSUMED BY INDIVIDUALS WHO USE THIS TYPE OF EQUIPMENT. TO MINIMIZE RISK, YOU MUST FOLLOW THESE RULES:**

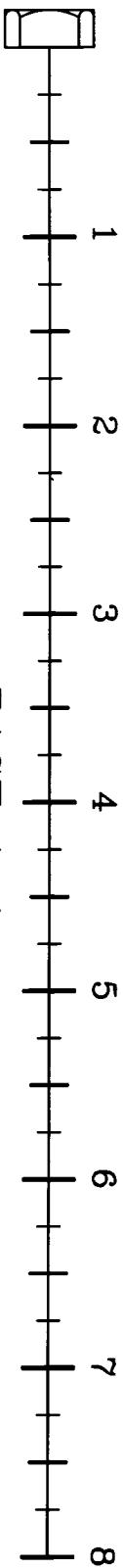
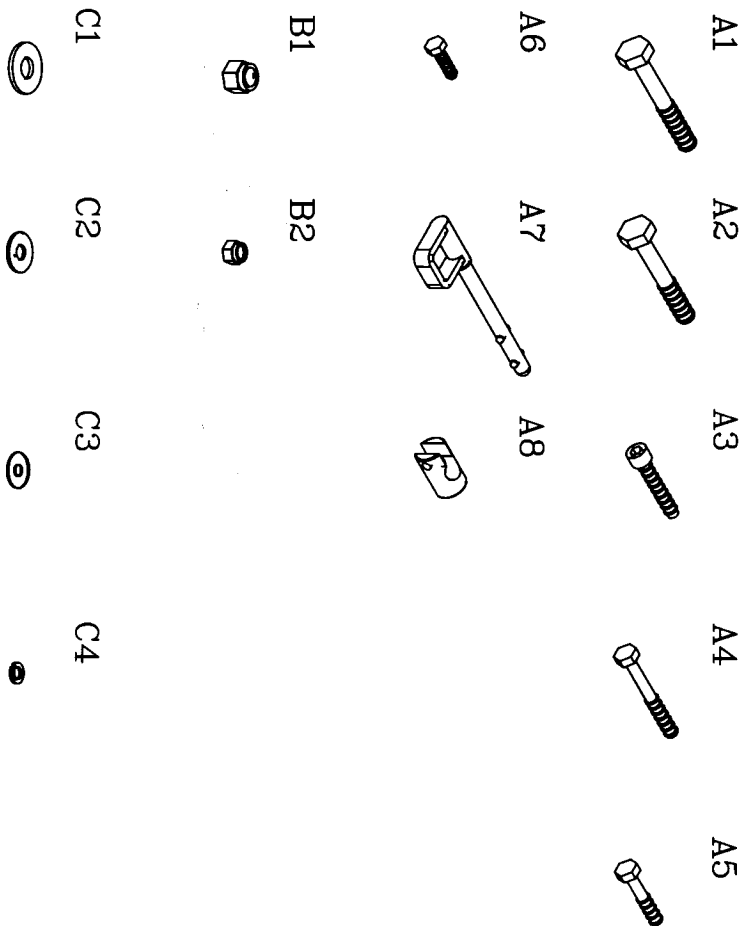
- 1. Inspect equipment before each workout. Check that all nuts, bolts, screws and pop pins are in place and fully tightened. Also, before use, check cables for signs of wear. Replace all worn parts immediately. Never use machine if any parts are damaged or missing. Failure to follow these rules may result in serious injury.**
- 2. Keep clear of the cables and all moving parts when the machine is in use.**
- 3. Always make sure all Snap Links are closed when doing any cable/pulley exercises.**
- 4. Exercise with care. Perform your exercises at a smooth moderate pace; never perform jerky or uncoordinated movements that may cause injury.**
- 5. It is recommended that you should workout with a training partner.**
- 6. Do not allow children or minors to play on or around this equipment.**
- 7. If unsure of proper use of equipment, call your local Body-Solid distributor or the Body-Solid customer service department at 1-800-556-3113.**
- 8. WARNING: Consult your physician before starting your exercise program. For your own safety, do not begin any exercise program without proper instruction.**

RAL2-11-98

VERSION 0403

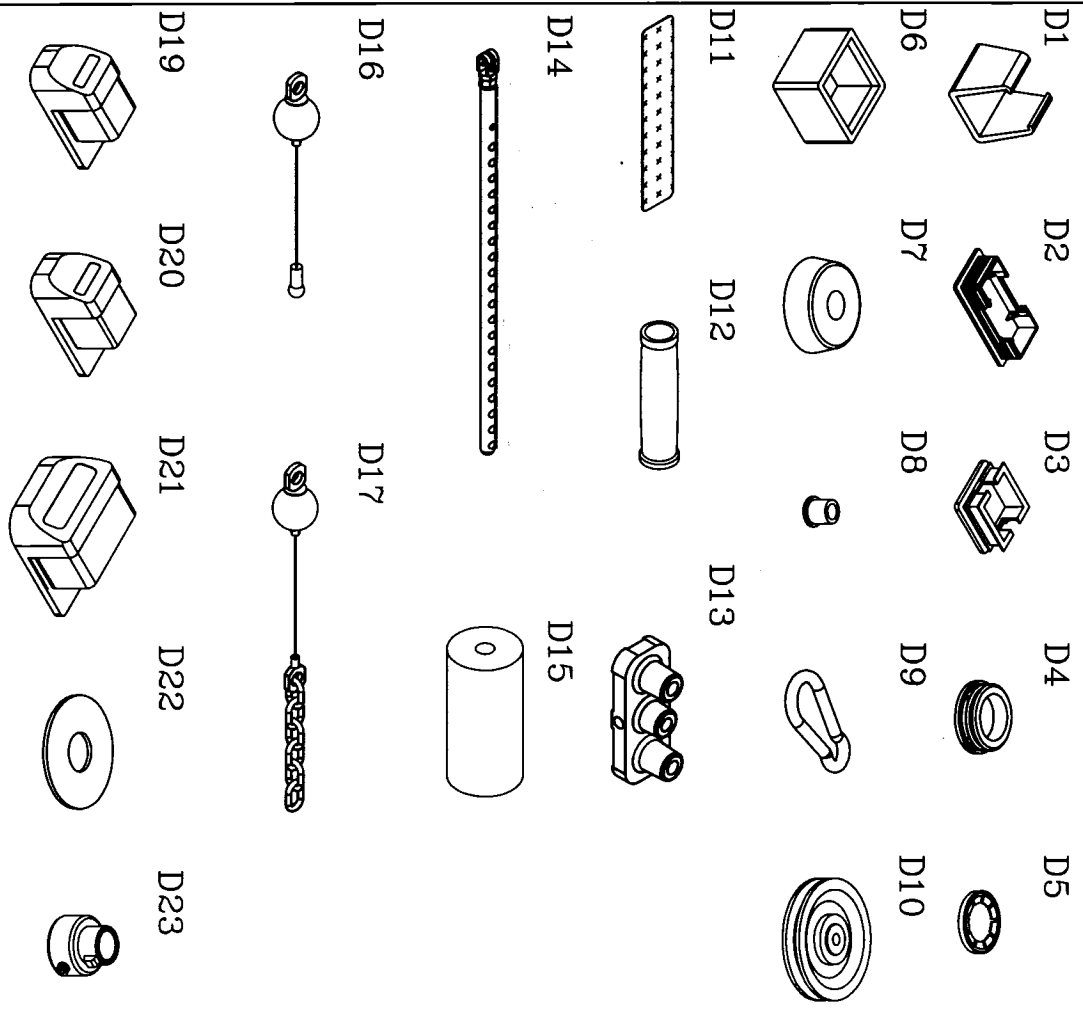
# LM-84.2 HARDWARE ILLUSTRATION SHEET

	Qty.
A1. 1/2"x3 1/4" HEX HEAD BOLT -----	[2PCS]
A2. 1/2"x3" HEX HEAD BOLT -----	[6PCS]
A3. 3/8"x2" ROUND BOLT -----	[1PCS]
A4. 3/8"x2 3/4" HEX HEAD BOLT -----	[8PCS]
A5. 3/8"x1 3/4" HEX HEAD BOLT -----	[3PCS]
A6. 5/16"x1" HEX HEAD BOLT -----	[4PCS]
A7. 10LB PIN -----	[1PCS]
A8. Ø12 BUSHING (8890-010)-----	[1PCS]
B1. 1/2" NYLON LOCK NUT -----	[8PCS]
B2. 3/8" NYLON LOCK NUT -----	[11PCS]
C1. 1/2" (I.D)WASHER -----	[4PCS]
C2. 3/8"xØ19 (I.D)WASHER-----	[2PCS]
C3. 5/16" (I.D)WASHER -----	[4PCS]
C4. 5/16" SPRING WASHER -----	[4PCS]



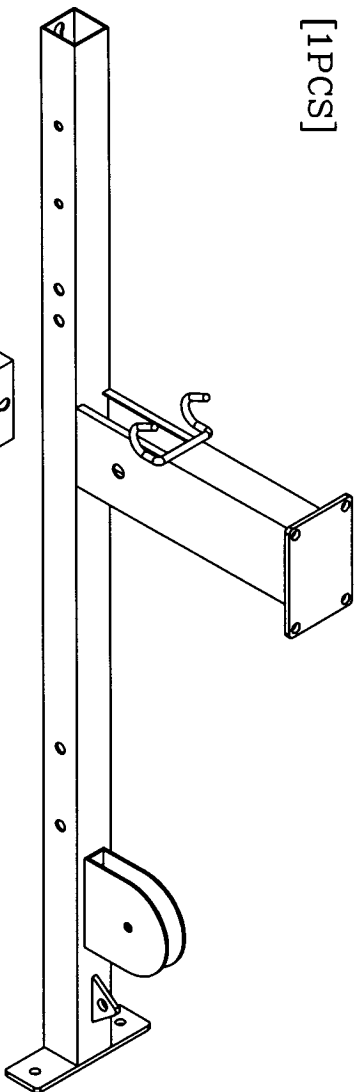
# LM-84.2 HARDWARE ILLUSTRATION SHEET

Part No.	Description	Qty.
D1.	2"X2" RUBBER DOUNT (9212-010) -----	[3PCS]
D2.	2"X4" END CAP (9211-014) -----	[4PCS]
D3.	45X45 END CAP (9211-004) -----	[2PCS]
D4.	ø48 ROUND END CAP (9211-019) -----	[2PCS]
D5.	ø1" ROUND END CAP (8341-033) -----	[2PCS]
D6.	50X45 NYLON BUSHING (9211-030) -----	[1PCS]
D7.	ø2 1/2" RUBBER DOUNT (9310-010) -----	[2PCS]
D8.	ø16 BUSHING (8530-009) -----	[8PCS]
D9.	ø8mm SPRING SNAP LINK (8810-001) -----	[3PCS]
D10.	4 1/4" PULLEY (9213-002) -----	[7PCS]
D11.	38X195mm NO SLIP TAPEL (9310-030) -----	[2PCS]
D12.	ø1"X135 RUBBER GRIP (9212-016) -----	[4PCS]
D13.	CHROME TOP PLATE (8400-005) -----	[1PCS]
D14.	WEIGHT SELECTOR BAR (8210-042A) -----	[1PCS]
D15.	ø4"X8" FOAM ROLLER (9161-009) -----	[2PCS]
D16.	2770mm STEEL CABLE -----	[1PCS]
D17.	3670mm STEEL CABLE -----	[1PCS]
D19.	2"X2"X1.8t FOOT CAP (9211-024) -----	[2PCS]
D20.	2"X2"X2.5t FOOT CAP (9211-025) -----	[1PCS]
D21.	2"X4" FOOT CAP (9211-028) -----	[1PCS]
D22.	ø3" NYLON WASHER (9214-008) -----	[2PCS]
D23.	ø3/4" SHAFT COLLAR (9211-046) -----	[2PCS]

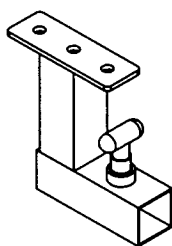


# LM-84.2 PARTS ILLUSTRATION SHEET

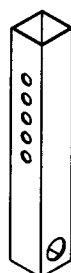
A [1PCS]



E [1PCS]



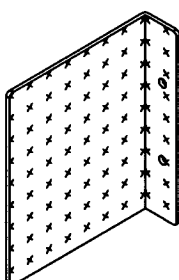
F [1PCS]



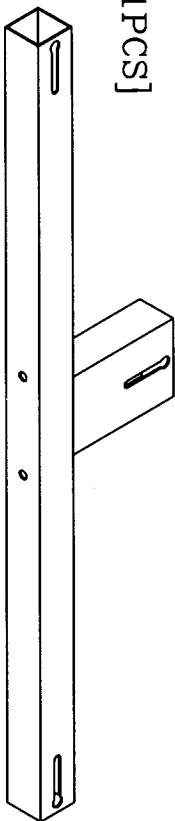
K [2PCS]



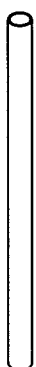
L [2PCS]



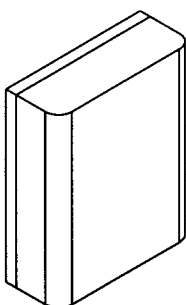
B [1PCS]



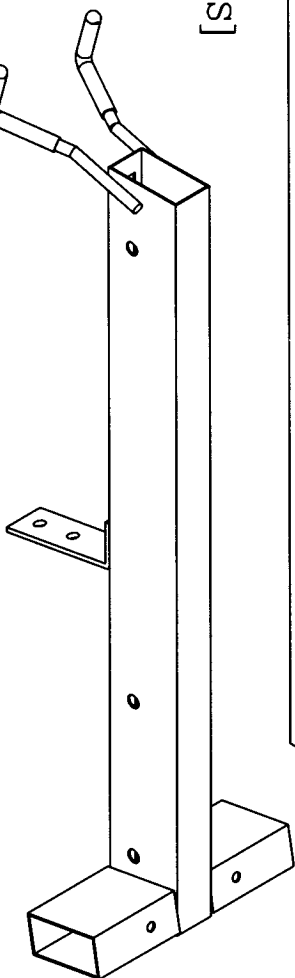
M [1PCS]



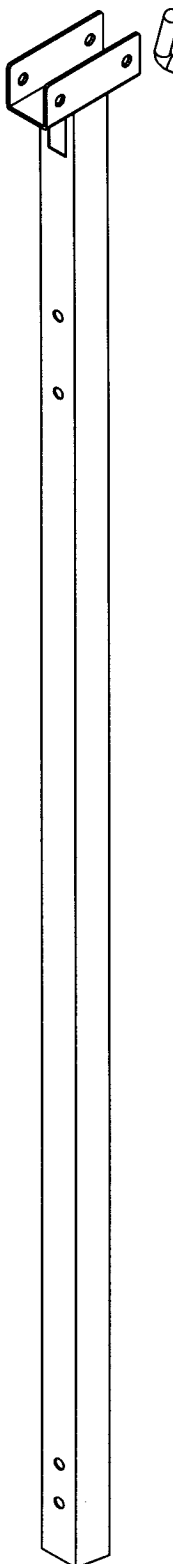
N [1PCS]



D [1PCS]



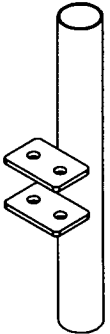
C [1PCS]



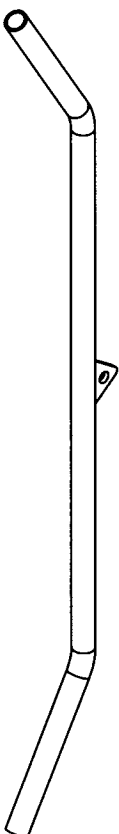
G [2PCS]



H [1PCS]



I [1PCS]



J [1PCS]



# LM-84.2

