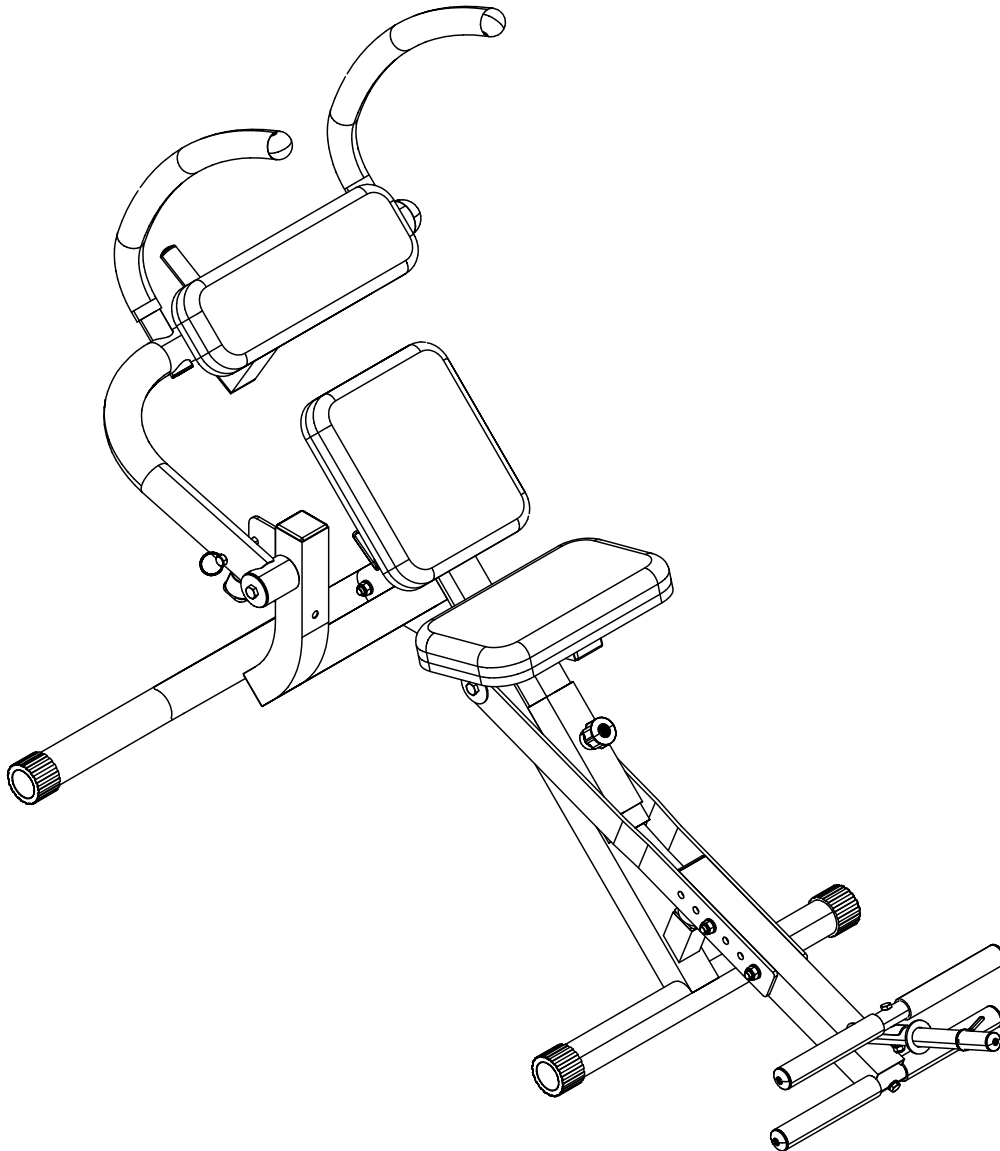


BEST *BF* FITNESS
EQUIPMENT



v.

BFAB20R

OWNER'S MANUAL

BEFORE YOU BEGIN

Thank you for purchasing the Best Fitness BFAB20R. This gym is part of the Best Fitness quality strength training machines, which lets you target specific muscle groups to achieve better muscle tone and overall body conditioning.

To maximize your use of the equipment please study this Owner's Manual thoroughly.

Unpacking the Equipment

The BFAB20R is carefully tested and inspected before shipment. We have shipped the unit in several pieces that require assembly. Ask for assistance during the assembly process.

Carefully unpack the boxes and lay the pieces on the floor near the area where you plan to use the equipment.

Be careful to assemble all components in the sequence presented in this guide.

If any items are missing, contact the dealer from whom you purchased the unit or call 1-800-556-3113 for the dealer nearest you.

Best Fitness continually seeks ways to improve the performance, specifications and product manuals in order to ensure that only superior products are released from our factories. Please take the time to carefully read through this manual thoroughly. Instructions contained in this document are not intended to cover all details or variations possible with Best Fitness equipment, or to cover every contingency that may be met in conjunction with installation, operation, maintenance or troubleshooting of the equipment. Even though we have prepared this manual with extreme care, neither the publisher nor the author can accept responsibility for any errors in, or omission from, the information given. Should additional information be required, or should situations arise that are not covered by this manual, the matter should be directed to your local Best Fitness representative, or the Service Department at Best Fitness in Forest Park, Illinois.

Any Questions?
Call (800) 556-3113

IMPORTANT SAFETY INSTRUCTIONS

Before beginning any fitness program, you should obtain a complete physical examination from your physician.

Il est conseillé de subir un examen médical complet avant d'entreprendre tout programme d'exercice. Si vous avez des étourdissements ou des faiblesses, arrêtez les exercices immédiatement.

Antes de comenzar cualquier programa de ejercicios, deberías tener un examen físico con su doctor.

When using exercise equipment, you should always take basic precautions, including the following:

- Read all instructions before using the BFAB20R. These instructions are written to ensure your safety and to protect the unit.
- Do not allow children on or near the equipment.
- Use the equipment only for its intended purpose as described in this guide. Do not use accessory attachments that are not recommended by the manufacturer. Such attachments might cause injuries.
- Wear proper exercise clothing and shoes for your workout, no loose clothing.
- Use care when getting on or off the unit.
- Do not overexert yourself or work to exhaustion.
- If you feel any pain or abnormal symptoms, stop your workout immediately and consult your physician.
- Never operate unit when it has been dropped or damaged. Return the equipment to a service center for examination and repair.
- Never drop or insert objects into any opening in the equipment.
- Always check the unit before each use. Make sure that all fasteners are secure and in good working condition.
- Do not use the equipment outdoors or near water.

Personal Safety During Assembly

- It is strongly recommended that a qualified dealer assemble the equipment. Assistance is required.
- Before beginning assembly, please take the time to read the instructions thoroughly.
- Read each step in the assembly instructions and follow the steps in sequence. Do not skip ahead. If you skip ahead, you may learn later that you have to disassemble components and that you may have damaged the equipment.
- Assemble and operate the BFAB20R on a solid, level surface. Locate the unit a few feet from the walls or furniture to provide easy access.

The BFAB20R is designed for your enjoyment. By following these precautions and using common sense, you will have many safe and pleasurable hours of healthful exercise with your Best Fitness BFAB20R.

After assembly, you should check all functions to ensure correct operation. If you experience problems, first recheck the assembly instructions to locate any possible errors made during assembly. If you are unable to correct the problem, call the dealer from whom you purchased the machine or call 1-800-556-3113 for the dealer nearest you.

Obtaining Service

Please use this Owner's Manual to make sure that all parts have been included in your shipment. When ordering parts, you must use the part number and description from this Owner's Manual. Use only Best Fitness replacement parts when servicing this machine. Failure to do so will void your warranty and could result in personal injury.

For information about product operation or service, go to www.bestfitness.com or contact an authorized Best Fitness dealer or a Best Fitness factory-authorized service company or contact Best Fitness customer service at one of the following:

Toll Free: 1-800-556-3113
Phone: 1-708-427-3555
Fax: 1-708-427-3556
Hours: M-F 8:30-5:00 CST
E-Mail: service@bodysolid.com

Or write to: Best Fitness
Service Department
1900 S. Des Plaines Ave.
Forest Park, IL 60130 USA

Retain this Owner's Manual for future reference. Part numbers are required when ordering parts.

SAFETY GUIDELINES

Successful resistance training programs have one prominent feature in common...safety. Resistance training has some inherent dangers, as do all physical activities. The chance of injury can be greatly reduced or completely removed by using correct lifting techniques, proper breathing, maintaining equipment in good working condition, and by wearing the appropriate clothing.

- 1. It is highly recommended that you consult your physician before beginning any exercise program. This is especially important for individuals over the age of 35, or persons with pre-existing health problems.**
- 2. Always warm up before starting a workout. Try to do a total body warm up before you start. It is especially important to warm up the specific muscle groups you are going to be using. This can be as simple as performing a warm up set of high repetitions and light weight for each exercise.**
- 3. Use proper form. Focus on only working the muscle groups intended for the exercise you are doing. If there is strain elsewhere, you may need to re-evaluate the amount of weight that is involved with the lift. Keeping proper form also includes maintaining control through an entire range of motion.**
- 4. Breathe properly. Inhale during the eccentric phase of the exercise, and exhale during the lifting, or concentric phase. Never hold your breath during any part of an exercise.**
- 5. Always wear the appropriate clothing and shoes when exercising. Wearing comfortable athletic shoes with good support and loose fitting, breathable clothing will reduce the risk of injury.**
- 6. Maintaining equipment in proper operating condition is of utmost importance for a safe resistance training program. Pulleys and cables should be checked for wear frequently and replaced as needed. Equipment should be lubricated as indicated by the manufacturer.**
- 7. Read and study all warning labels on this machine. It is absolutely necessary that you familiarize yourself and all others with the proper operation of this machine prior to use.**
- 8. Keep hands, limbs, loose clothing and long hair well out of the way of all moving parts.**
- 9. Do not attempt to lift more weight than you can control safely.**
- 10. Inspect the machine daily for loose or worn parts. If a problem is found do not allow the machine to be used until all parts are tightened or worn or defective parts are repaired or replaced.**

ASSEMBLY INSTRUCTIONS

Assembly of the BFAB20R takes professional installers about 1 hour to complete. If this is the first time you have assembled this type of equipment, plan on significantly more time.

PROFESSIONAL INSTALLERS ARE HIGHLY RECOMMENDED!

However, if you acquire the appropriate tools, obtain assistance, and follow the assembly steps sequentially, the process will take time, but is fairly easy.

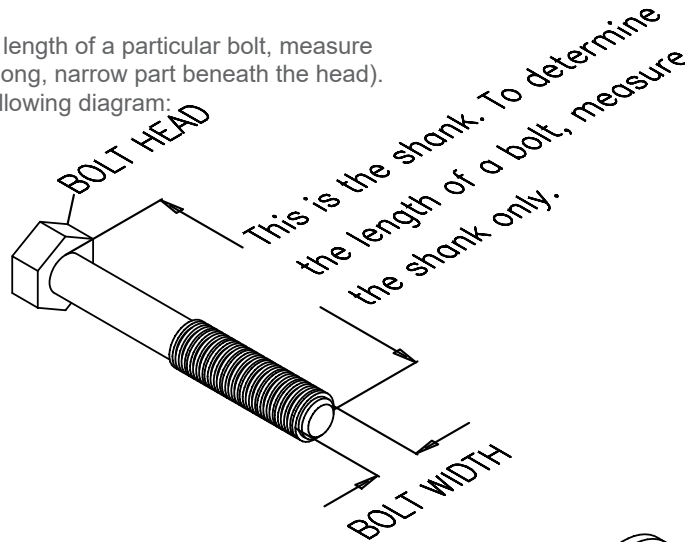
Assembly Tips

Read all "Notes" on each page before beginning each step.

While you may be able to assemble the BFAB20R using the illustrations only, important safety notes and other tips are included in the text.

Some pieces may have extra holes that you will not use. Use only those holes indicated in the instructions and illustrations.

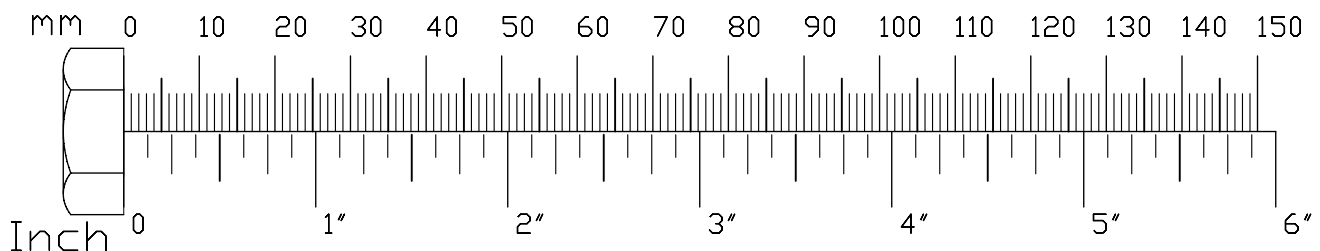
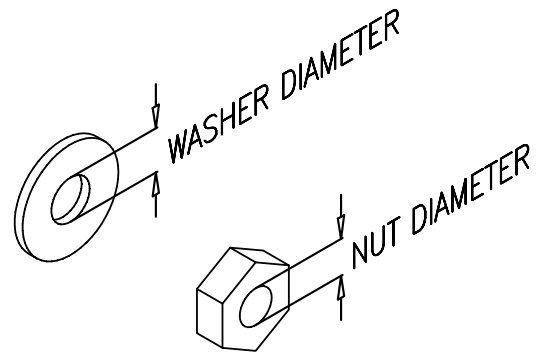
NOTE: To find out the length of a particular bolt, measure its shank (the long, narrow part beneath the head). Refer to the following diagram:



Do not fully tighten bolts until instructed to do so.

Note: After assembly, you should check all functions to ensure correct operation. If you experience problems, first recheck the assembly instructions to locate any possible errors made during assembly.

If you are unable to correct the problem, call the dealer from whom you purchased the machine or call 1-800-556-3113 for the dealer nearest you.

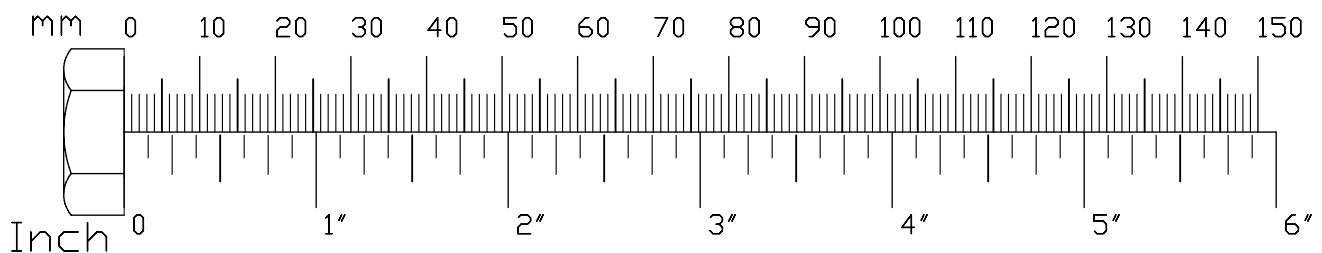


STEP**1**

Be careful to assemble all components in the sequence they are presented.

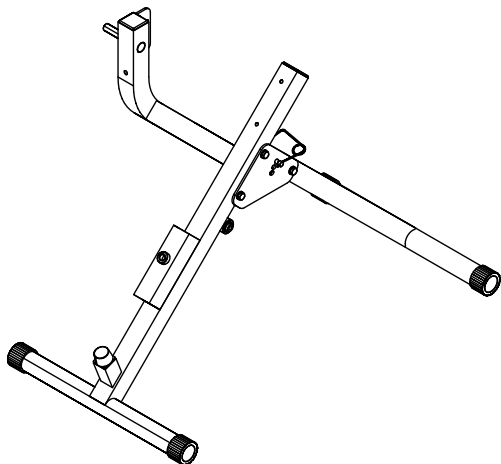
- A. Thread Rubber Bumpers (26) as shown in the diagram.
- B. Connect Arm Support Frame (46), Rear Support Tube (3) and Main Structure (1) using:
 - One 32 (M10x78 hex head bolt)
 - Two 45 (M10 washer)
 - One 42 (M10 nylon lock nut)
- C. Connect Arm Support Frame (46) to Main Structure (1) completely by using:
 - Two 32 (M10x78 hex head bolt)
 - Four 45 (M10 washer)
 - Two 42 (M10 nylon lock nut)
- D. Slide Shaft (8) into Main Structure (1) as shown and secure Bolt M6 (47).
- E. Adjust Main Structure (1) and Rear Support Tube (3) to the desired angle using Safety Pin (28).

NOTE: The BFAB20R may be folded for easy storage by removing Safety Pin (28).

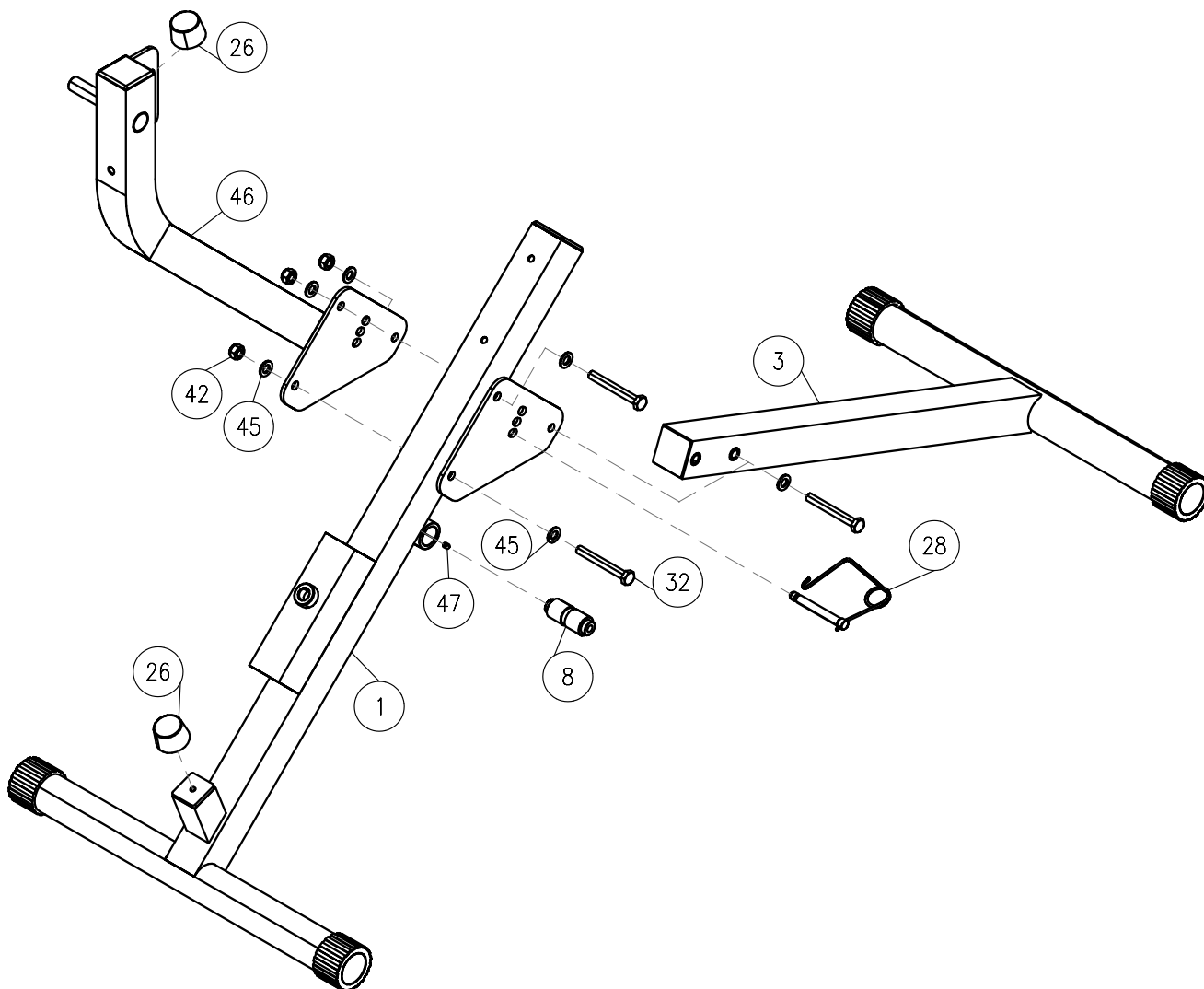


STEP

1



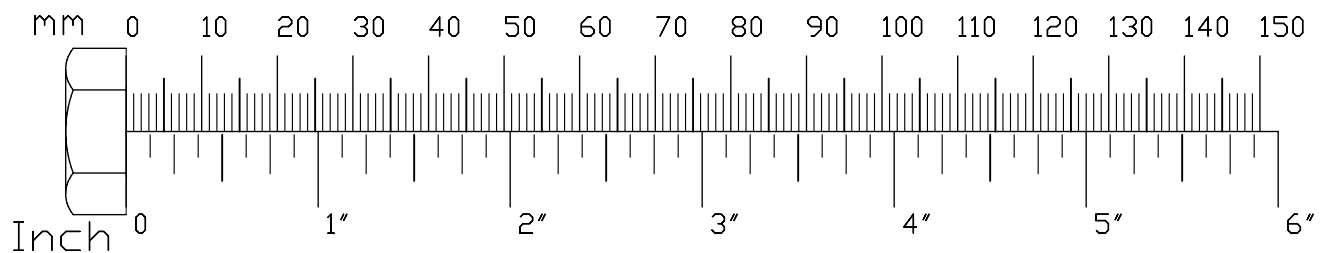
Above shows STEP 1 assembled and completed.



STEP**2**

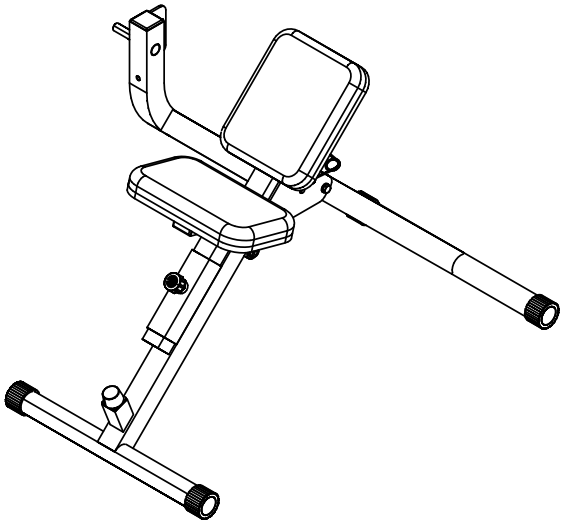
Be careful to assemble all components in the sequence they are presented.

- A. Connect Seat Pad (9) to Seat Pad Frame (5) using:
Two 37 (M8x25 hex head bolt)
Two 36 (M8 spring washer)
Two 44 (M8 washer)
- B. Slide Square End Cap (19) into Seat Pad Frame (5) as shown.
- C. Thread Pop Pin (27) into Main Structure (1) as shown in the diagram.
- D. Connect Back Pad (10) to Main Structure (1) using:
Two 35 (M8x70 hex head bolt)
Two 36 (M8 spring washer)
Two 44 (M8 washer)

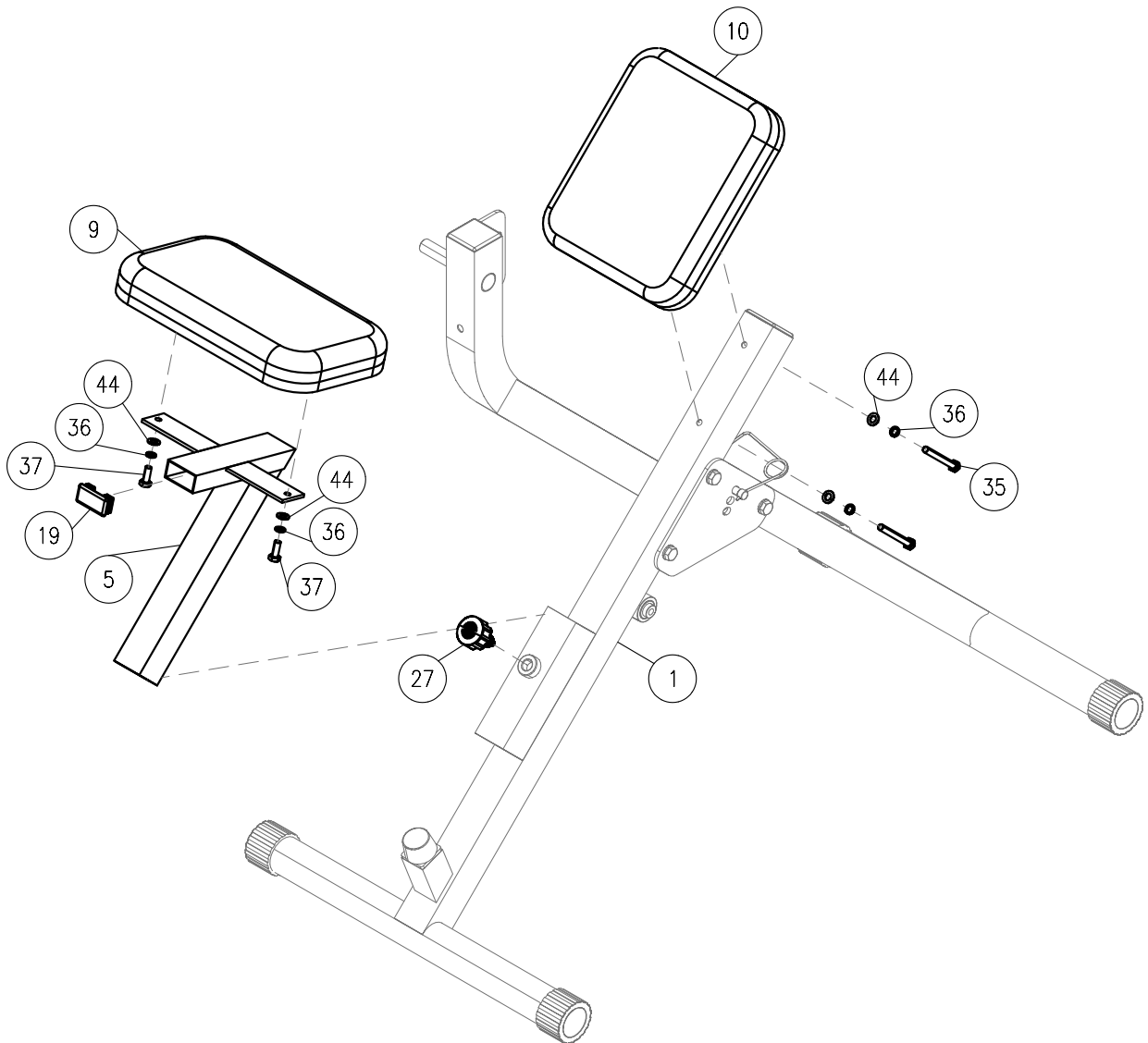


STEP

2



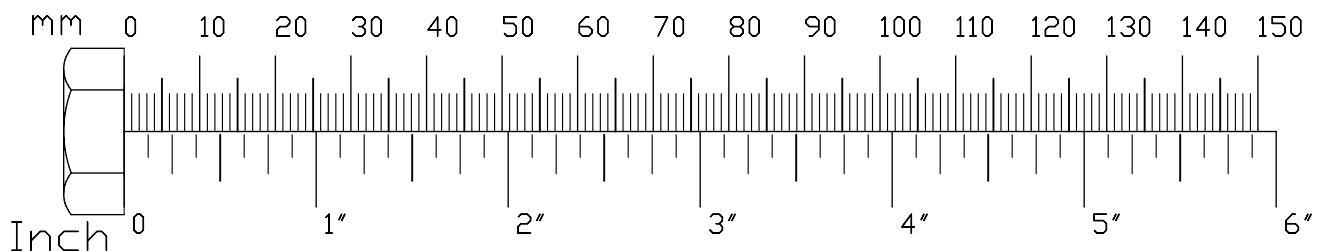
Above shows STEP 2 assembled and completed.



STEP**3**

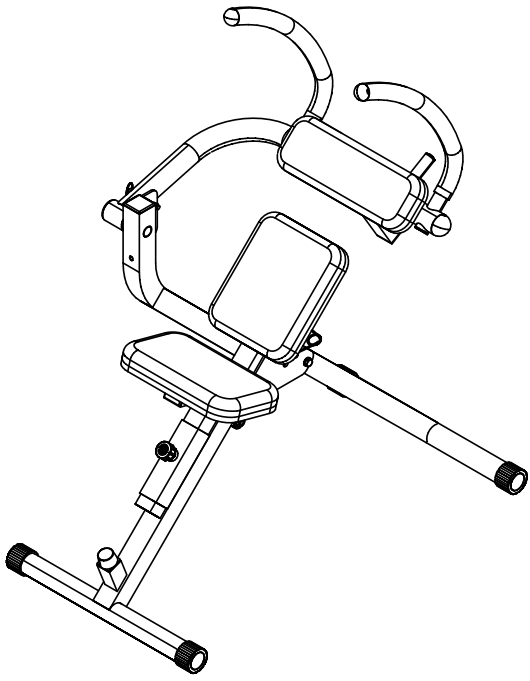
Be careful to assemble all components in the sequence they are presented.

- A. Connect both Handles (7) to Upper Arm (6) by using:
Two 37 (M8x25 hex head bolt)
Two 44 (M8 washer)
- B. Attach Shoulder Pad (11) to Upper Arm (6) using:
Two 35 (M8x70 hex head bolt)
Two 36 (M8 spring washer)
Two 44 (M8 washer)
- C. Slide Bushings (40) into Upper Arm (6) then slide the Upper Arm assembly onto the shaft of Arm Support Frame (46) and secure by using:
One 39 (M10x20 hex head bolt)
One 45 (M10 washer)
- D. Secure the Upper Arm assembly by inserting Pop Pin (33).
- E. Attach Rear Loading Bar (16) to Upper Arm (6) using:
One 34 (M10x70 hex head bolt)
Two 45 (M10 washer)
One 42 (M10 nylon lock nut)
- F. Insert Spring Collar (29) onto the Weight Horn on Loading Bar (16) as shown.

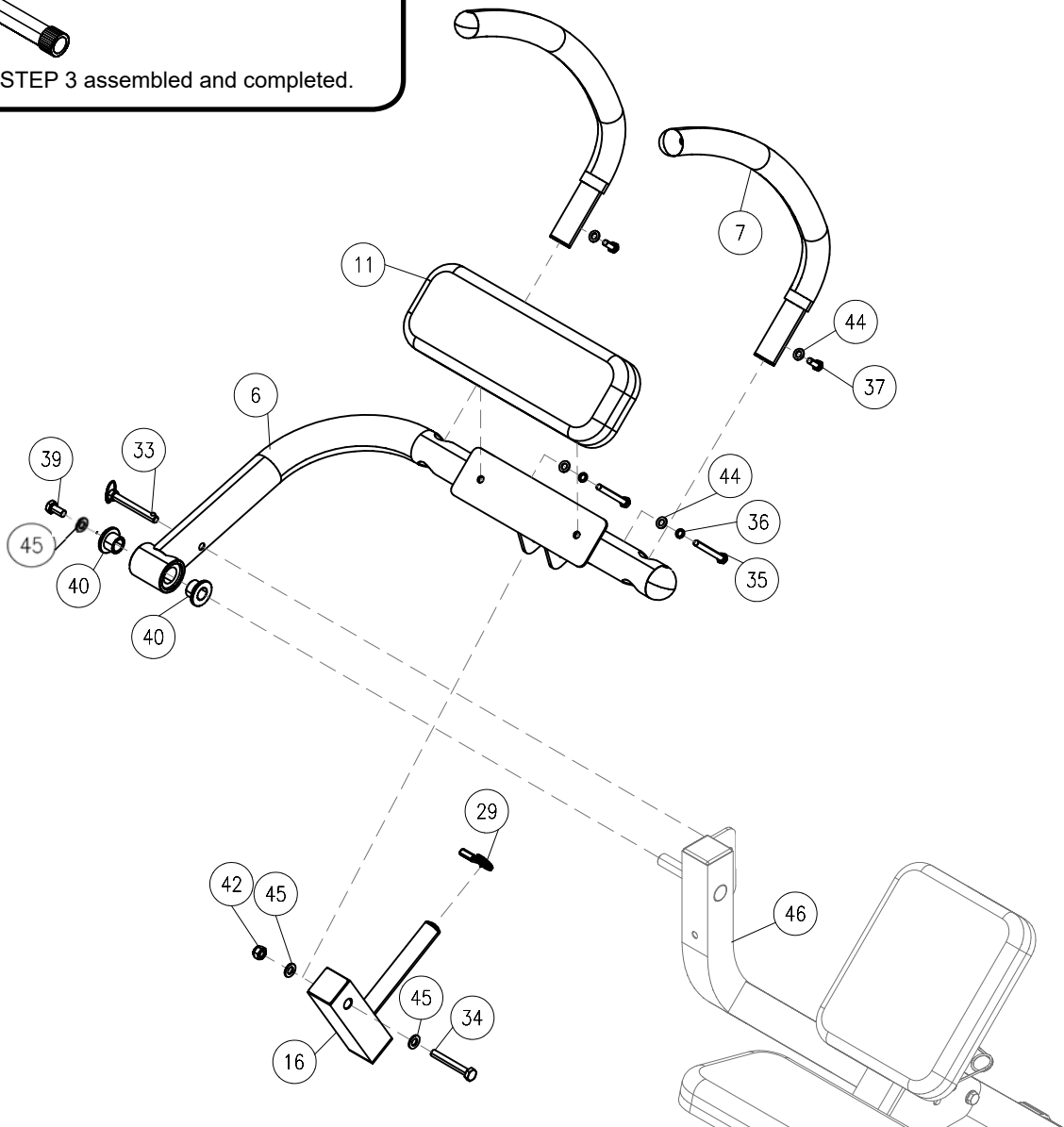


STEP

3



Above shows STEP 3 assembled and completed.



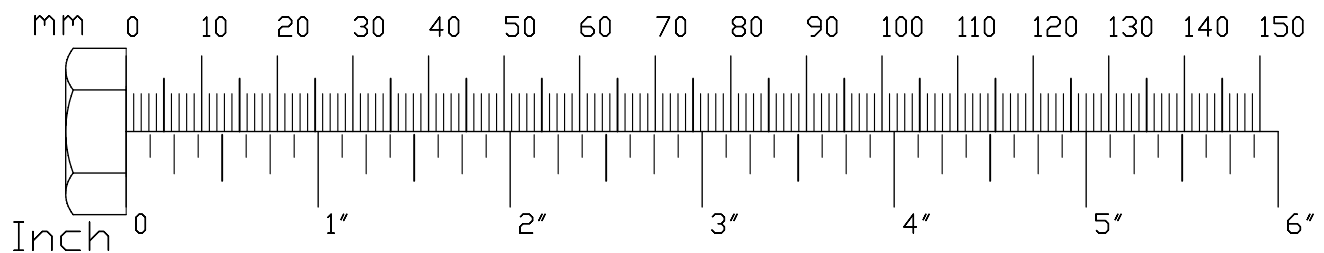
STEP**4**

Be careful to assemble all components in the sequence they are presented.

- A. Connect both Extension Bars (2) to Shaft (8) using:
Two 39 (M10x20 hex head bolt)
Two 45 (M10 washer)

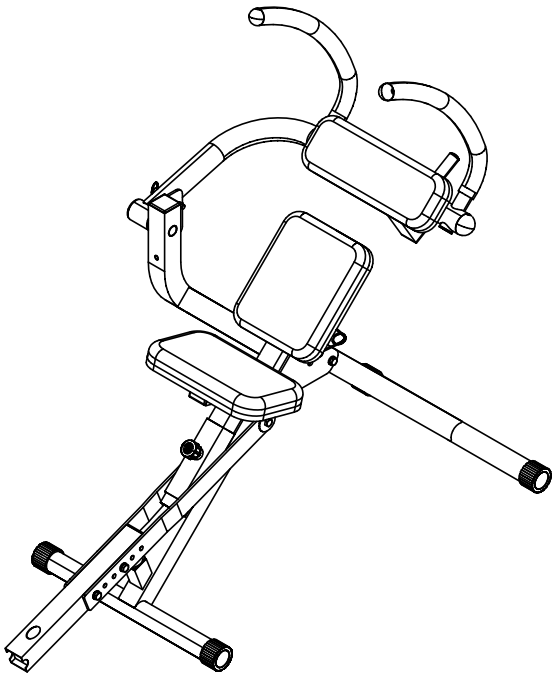
- B. Attach Front Foot Frame (4) to Extension Bars (2) using:
Two 32 (M10x78 hex head bolt)
Four 45 (M10 washer)
Two 42 (M10 nylon lock nut)

NOTE: Adjust the position of Front Foot Frame (4) based on user leg length and exercise requirements.

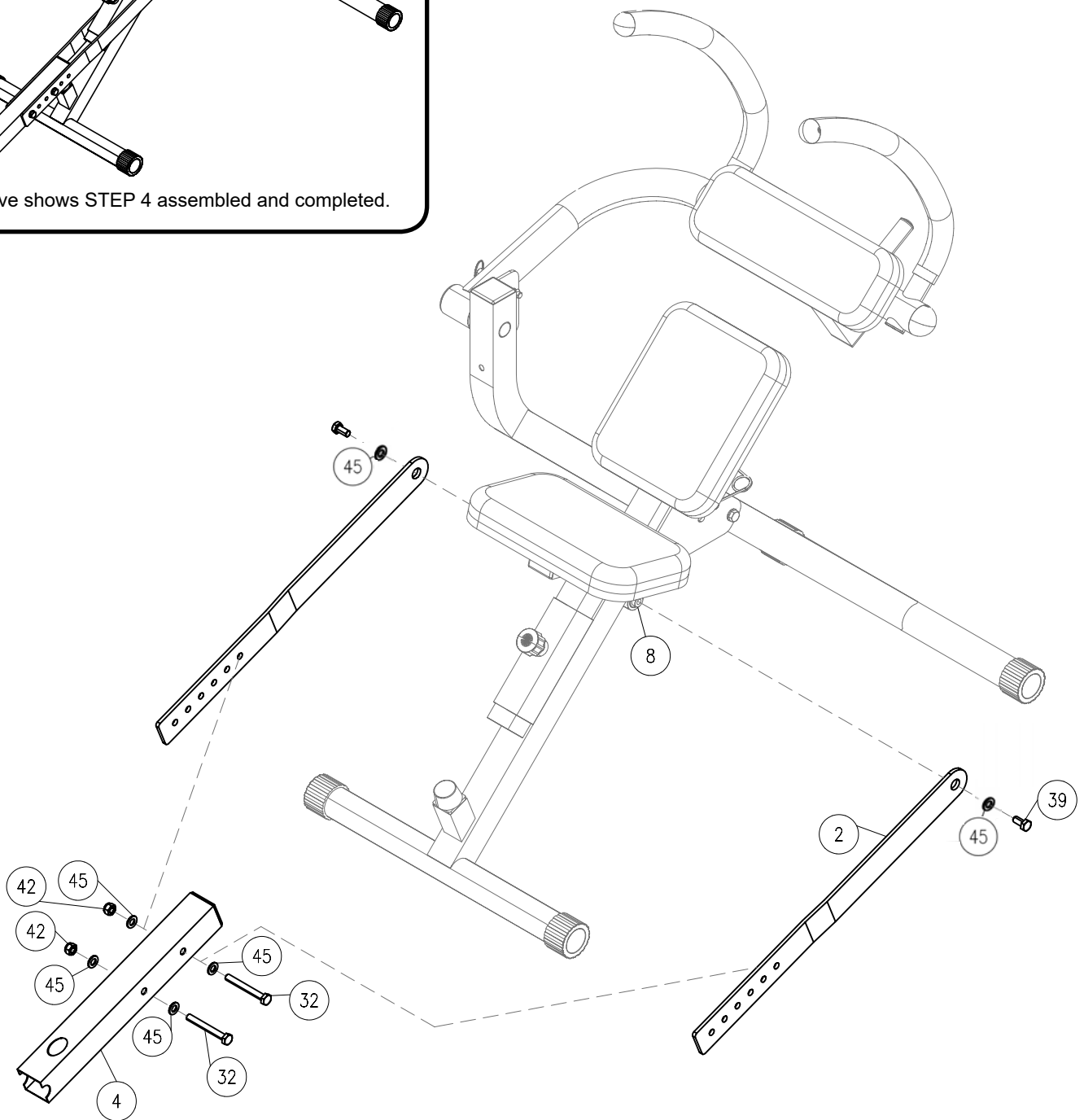


STEP

4



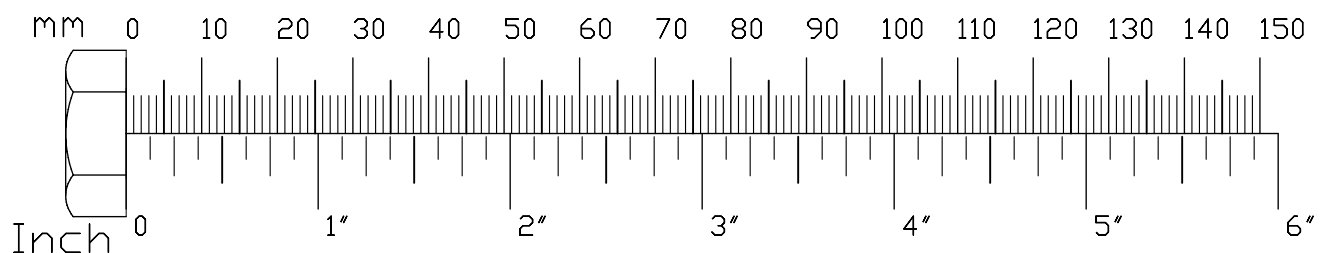
Above shows STEP 4 assembled and completed.



STEP**5**

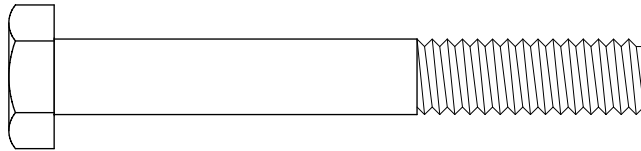
Be careful to assemble all components in the sequence they are presented.

- A. Attach Upper Foot Rest (13) to Front Loading Bar (15) by using:
One 43 (M8 nylon lock nut)
One 44 (M8 washer)
- B. Slide Spring Collar (29) onto the weight horn of Front Loading Bar (15).
- C. Slide Front Loading Bar (15) through the hole as shown and secure using:
One 41 (M8x15 hex head bolt)
One 44 (M8 washer)
- D. Attach Lower Foot Rest (12) to Front Foot Frame (4) using:
One 38 (M8x40 hex head bolt)
One 44 (M8 washer)
- E. Enjoy your workout!

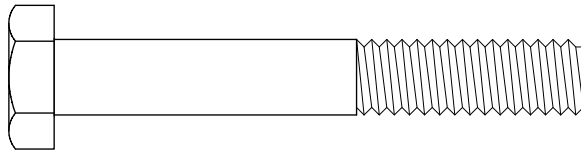


HARDWARE

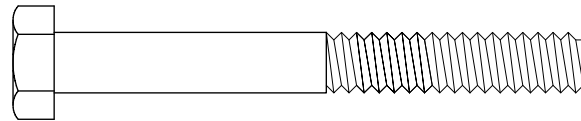
(Actual Size Shown)



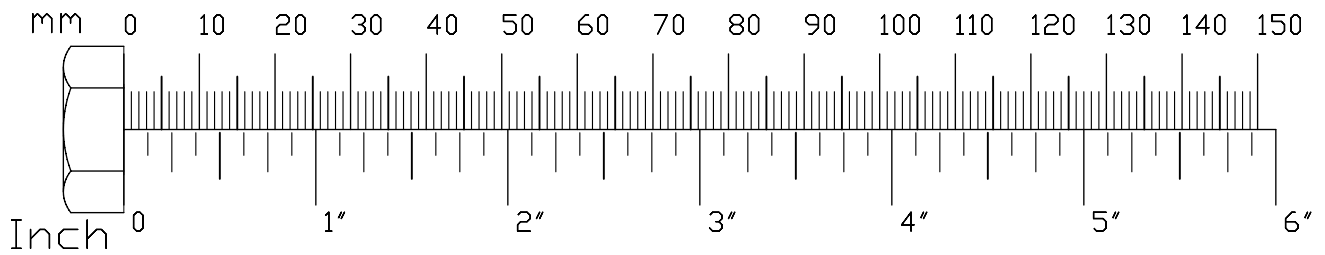
(32) HEX BOLT 10mm X 78mm PARTIAL THREAD QTY. 5



(34) HEX BOLT 10mm X 70mm PARTIAL THREAD QTY. 1

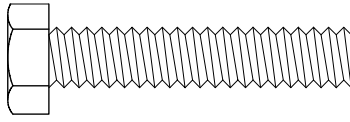


(35) HEX BOLT 8mm X 70mm PARTIAL THREAD QTY. 4

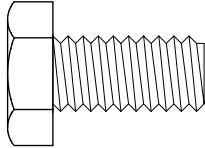


HARDWARE

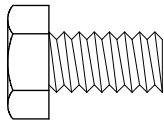
(Actual Size Shown)



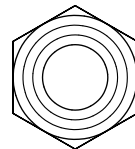
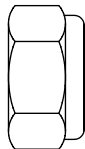
(38) HEX BOLT 8mm X 40mm QTY. 1



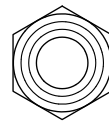
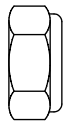
(39) HEX BOLT 10mm X 20mm QTY. 3



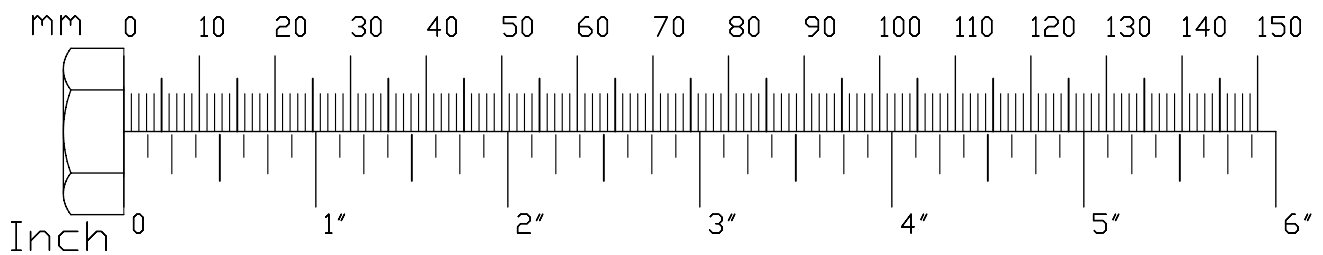
(41) HEX BOLT 8mm X 15mm QTY. 1



(42) NYLON LOCK NUT 10mm QTY. 6

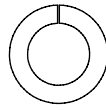


(43) NYLON LOCK NUT 8mm QTY. 1

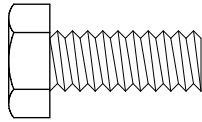


HARDWARE

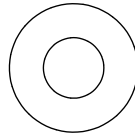
(Actual Size Shown)



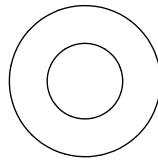
(36) SPRING WASHER 8mm QTY. 6



(37) HEX BOLT 8mm X ~~20~~mm QTY. 4



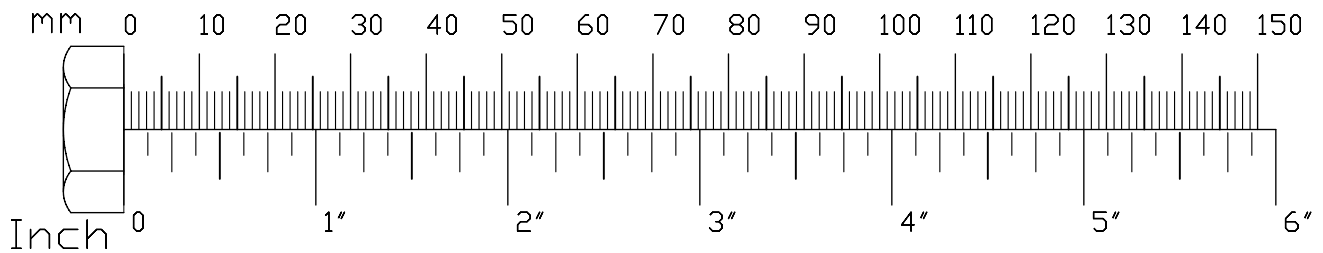
(44) FLAT WASHER 8mm QTY. 10



(45) FLAT WASHER 10mm QTY. 12



(47) 6mm X 8mm FULL THREAD BOLT QTY. 1

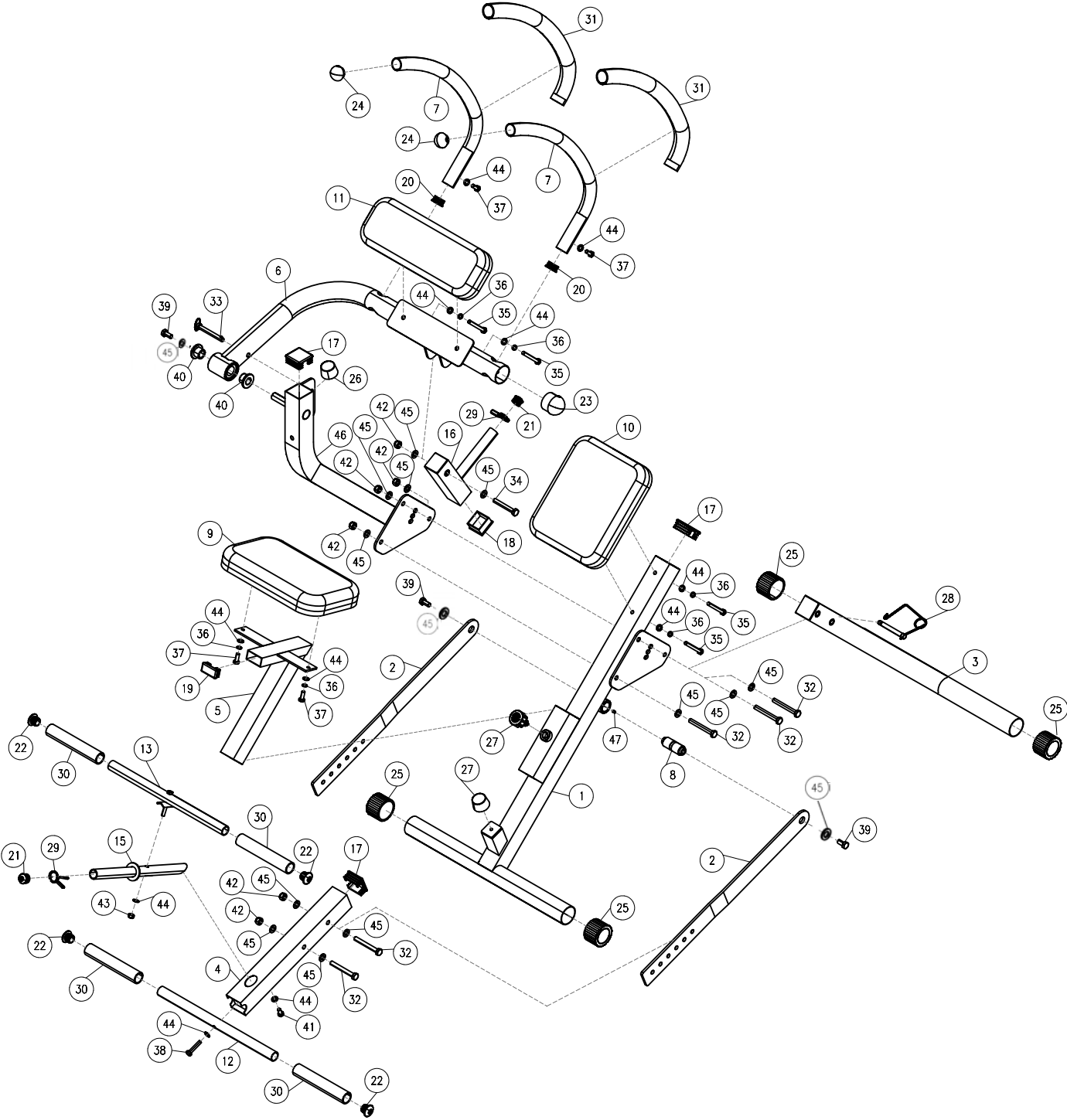


HARDWARE LIST

PART#	QTY	DESCRIPTION
1	1	Main Structure
2	2	Extension Bar
3	1	Rear Support Tube
4	1	Front Foot Frame
5	1	Seat Pad Frame
6	1	Upper Arm
7	2	Handle
8	1	Shaft
9	1	Seat Pad
10	1	Back Pad
11	1	Shoulder Pad
12	1	Lower Foot Rest
13	1	Upper Foot Rest
15	1	Front Loading Bar
16	1	Rear Loading Bar
17	3	M50x50 Square End Cap
18	1	M45x45 Square End Cap
19	1	M25x50 Square End Cap
20	2	M32 Round End Cap
21	2	M25 Round End Cap
22	4	M31 Round End Cap
23	1	M50 Ball End Cap
24	2	M38 Ball End Cap
25	4	M50 Round Foot Cap
26	2	Rubber Bumper
27	1	M38x16x8t Pop Pin
28	1	M10 Safety Pin
29	2	Spring Collar
30	4	M32x24 Foam Grip
31	2	M38x31 Foam Grip
32	5	M10x78 Hex Head Bolt
33	1	M10x70 Pop Pin
34	1	M10x70 Hex Head Bolt
35	4	M8x70 Hex Head Bolt
36	6	M8 Spring Washer
37	4	M8x25 Hex Head Bolt
38	1	M8x40 Hex Head Bolt
39	3	M10x20 Hex Head Bolt
40	2	M38 Bushing
41	1	M8x15 Hex Head Bolt
42	6	M10 Nylon Lock Nut
43	1	M8 Nylon Lock Nut
44	11	M8 Washer
45	12	M10 Washer
46	1	Arm Support Frame
47	1	M6x8 Full Thread Bolt

Part numbers are required when ordering parts.

EXPLODED VIEW DIAGRAM



1900 S. Des Plaines Ave.
Forest Park, IL 60130
1 (800) 556-3113
Hours: M-F 8:30 - 5:00 CST

