

+



+



+

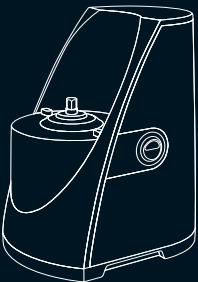


Product Contents

+

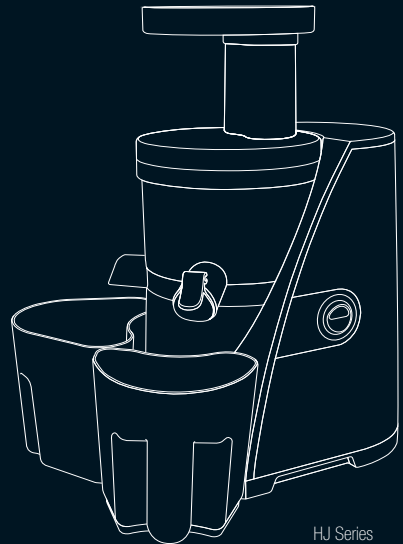


+



HJ SERIES MANUAL

HUROM®



HJ Series

## IMPORTANT SAFEGUARDS

---

1. When using electrical appliances, basic safety precautions should always be followed including the following. Read all instructions.
2. To protect against risk of electrical shock, do not put the main body (motor) in water or any other liquid.
3. Close supervision is necessary when any appliance is used by or near children.
4. Unplug from outlet when not in use, before assembling or taking off parts and before cleaning.
5. Avoid contact with moving parts.
6. Do not operate any appliance with a damaged cord or plug or after the appliance malfunctions, or is dropped or damaged in any manner.  
Return appliance to the nearest authorized service facility for examination, repair or electrical or mechanical adjustment.
7. The use of attachments not recommended or sold by the manufacturer may cause fire, electric shock or injury.
8. Do not let cord hang over edge of table or counter.
9. Always make sure hopper is securely fastened in place before motor is turned on.  
Do not unfasten hopper while juicer is in operation.
10. Be sure to turn switch to off position after each use of your juicer.  
Make sure the motor stops completely before disassembling.

## IMPORTANT SAFEGUARDS

---

11. Do not put your fingers or other objects into the juicer while it is in operation.  
If food becomes lodged in opening, use food plunger or another piece of fruit or vegetable to push it down. When this method is not possible, turn the motor off and disassemble juicer to remove the remaining food.
12. Do not use outdoors.
13. Do not place on or near a hot gas or electric burner or in a heated over.
14. Do not use appliance for other than intended use.

## SAVE THESE INSTRUCTIONS

## Hurom Juicer Manual For Household Use (Warranty Included)

- 1 Read "Precautions for safe use (Page 4)" carefully and use the appliance properly.
- 2 Save the manual and keep it in a convenient location for future reference.
- 3 Check if the voltage indicated on the base of the appliance corresponds to the local voltage before you connect the appliance.
- 4 Any quality improvements are subject to change without notice.

## CONTENTS

Dear Hurom Customers .....	01
General description and parts names .....	02
Specific terms for parts .....	03
Precautions for safe use .....	04
Warnings and cautions .....	05
Slow Juicer assembly .....	08
Slow Juicer assembly in detail .....	09
How to use the Slow Juicer .....	10
Juice Cap and Extraction Seal .....	11
When the auger stops during operation (How to use [Reverse/REV] button) .....	12
Important safeguards for use.....	13
Disassembling, cleaning and care .....	14
Disassembling and cleaning the chamber .....	16
Sterilization and Easy Cleaning System .....	17
Disassembling and cleaning the spinning brush .....	18
Assembling the spinning brush .....	19
Assembling the chamber seal .....	20
Assembling the juice cap seal .....	21
Troubleshooting .....	22
Appliance specifications .....	23
Warranty .....	24

# HUROM

With Hurom's own Slow Squeezing Technology and the all-new juice cap mixing function, you can easily make your own personalized juice filled with rich flavor and nutrients.

### 1. More Nutrients and Flavor: Your own personalized juice

#### Various mixed juices

Make an easy, simple juice with a single type of fruit or a mixed juice that is custom-fit to your taste and health needs by combining various ingredients together. With versatility of juice cap mixing function, you can be your own juice mixologist.

#### Hurom juice as an alternative meal

Drink a cup of Hurom juice as a quick and easy meal full of rich flavor and balanced nutrients. Mix fortifying ingredients such as banana, corn, boiled potato, sweet potato and pumpkin together for a satisfying juice mix filled with essential nutrients.

#### Hurom baby food

Easily make wholesome, all-natural baby food by mixing various grains and vegetables together. You can control the thickness simply by adding water.

#### Soy milk and soy juice

It's easy to make soy milk and soy juice with Hurom's all new juice cap. Now you can simply adjust the thickness and portion of the mixture by operating the juicer with the juice cap closed.

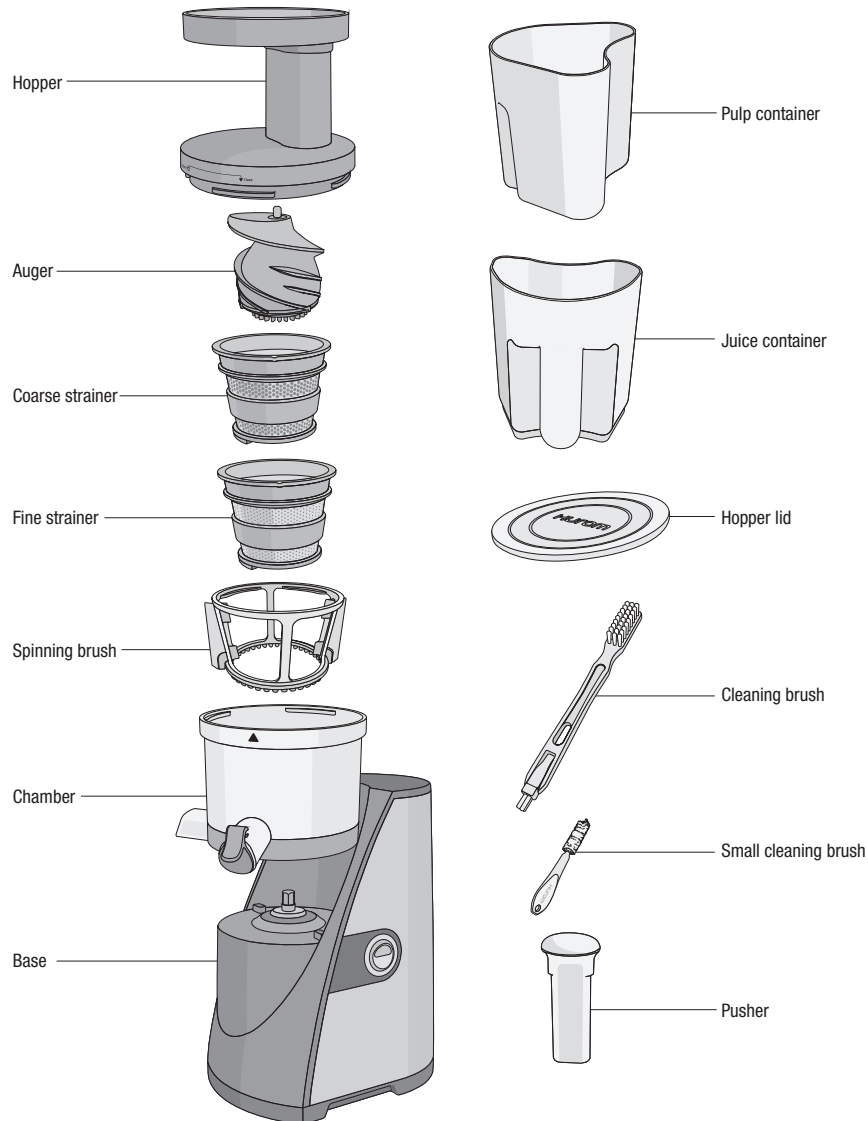
### 2. More Convenient and User-Friendly

By using the juice cap, you can easily pour the exact desired amount of juice without any mess or hassle.

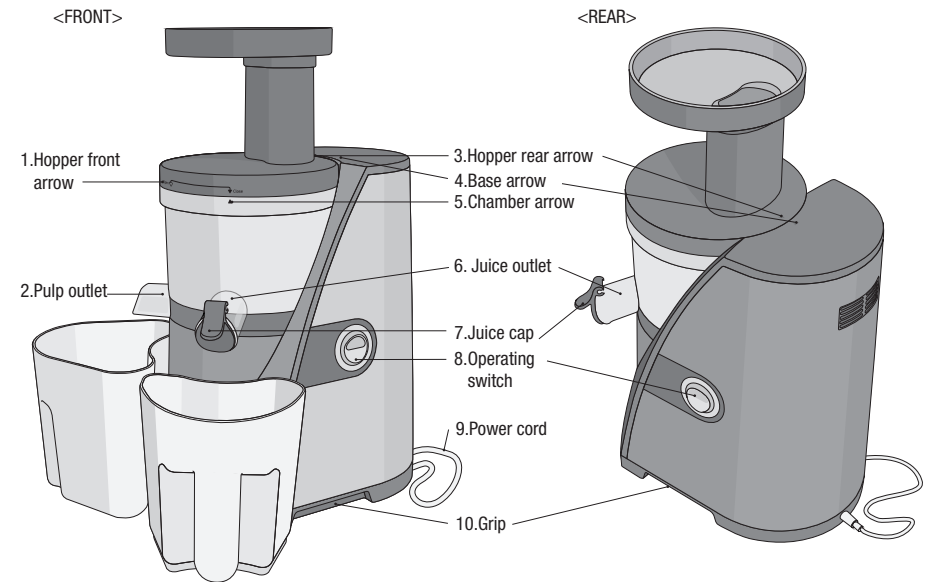
### 3. More Advanced Easy Cleaning System (Page 17)

Juice cap makes cleaning simpler and easier. Just close the juice cap, fill the chamber with water and turn on the juicer for easily cleaning.

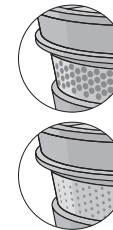
## GENERAL DESCRIPTION AND PARTS NAMES



## SPECIFIC TERMS FOR PARTS



### STRAINER



#### COARSE STRAINER

The bigger holes of the strainer produce thicker juice with tender and soft fruits such as strawberries, kiwis and tomatoes. Use for more pulpy juice.

#### FINE STRAINER

The holes of the strainer are small. Use for making pure juice with hard fruits, beans or fibrous vegetables. Use to extract clearer juice.

**NUMBER OF ATTACHMENT** 1 pusher, 1 hopper, 1 hopper lid, 1 Auger, 1 fine strainer, 1 coarse strainer, 1 spinning brush, 1 chamber, 1 base, 1 juice container, 1 pulp container, 1 small cleaning brush, 1 cleaning brush, 1 manual

## PRECAUTIONS FOR SAFE USE

All users of this appliance must read and understand this safety precaution before operating.



**WARNING** Hazards or unsafe practices which could result in serious personal injury or death.

**CAUTION** Hazards or unsafe practices which could result in minor personal injury or appliance damage.

### SIGN EXAMPLES



This sign indicates contents that may cause risk of a fire or an electrical shock. Specific warnings are written in the sign.



This sign indicates contents that may cause risk of a fire or an electrical shock. Specific warning is written in the sign.



This sign indicates prohibited acts. Specific prohibitions are written around or in the sign.



This sign indicates contents of regulating or directing actions. Specific instructions are written around or in the sign.

## WARNINGS AND CAUTIONS

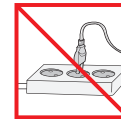


**WARNING** Hazards or unsafe practices which could result in serious personal injury or death.



**DO NOT PLUG IN OR UNPLUG WITH WET HANDS.**

It may cause electric shock or injury.



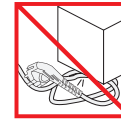
**DO NOT USE OTHER THAN 120V AC.**

It may cause electric shock, fire or abnormal performance. If the voltage is different, it may shorten the life of the motor or cause a failure.



**PLUG IN THE POWER CORD CORRECTLY AND COMPLETELY PUSH IT INTO THE WALL SOCKET.**

Failure to do so may cause electric shock or fire.



**IF THE POWER CORD IS DAMAGED, IT MUST BE REPLACED BY THE MANUFACTURER OR SIMILARLY QUALIFIED PERSONS IN ORDER TO AVOID A HAZARD.**

If the power cord is damaged, it may cause electric shock or fire.



**NEVER ALTER THE APPLIANCE. ALSO, DO NOT DISASSEMBLE OR REPAIR PERSONALLY. DO NOT INSERT FINGERS, FOREIGN SUBSTANCES OR OBJECTS SUCH AS PINS INTO GAPS OR HOLES IN THE BASE.** It may cause a fire, electric shock or failure.

For any technical support, contact the authorized local Customer Care Center.

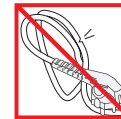


**DO NOT WET THE BASE OR SPLASH WATER ON THE BASE.**

Be careful not to let any liquids or other substances get into the switch on the appliance.

**DO NOT OPERATE THE SWITCH WITH WET HANDS.**

It may cause an electric shock or fire.



**DO NOT OPERATE IF THE POWER CORD IS DAMAGED OR IF THE PLUG IS LOOSE.**

It may cause electric shock, fire or injury.



**FOR SAFETY PURPOSE, ALWAYS OPERATE THE APPLIANCE ON A GROUNDED CONNECTION. DO NOT GROUND ON GAS PIPE, PLASTIC WATER PIPE, TELEPHONE WIRE, ETC.**

It could cause electric shock, fire, malfunction or explosion.

Be sure to use the electrical outlet with ground connection.

## WARNINGS AND CAUTIONS



**NEVER DISASSEMBLE THE CHAMBER SET DURING OPERATION OR INSERT FINGERS, FOREIGN OBJECTS SUCH AS FORKS, SPOONS ETC. INTO HOPPER CHUTE OR JUICE OUTLET.** It may cause injury, accident or failure.



**APPLIANCES CAN BE USED BY PERSONS WITH REDUCED PHYSICAL, SENSORY OR MENTAL CAPABILITIES OR LACK OF EXPERIENCE AND KNOWLEDGE IF THEY HAVE BEEN GIVEN SUPERVISION OR INSTRUCTION CONCERNING USE OF THE APPLIANCE IN A SAFE WAY AND IF THEY UNDERSTAND THE HAZARDS INVOLVED. CHILDREN SHALL NOT PLAY WITH THE APPLIANCE. CLEANING AND USER MAINTENANCE SHALL NOT BE MADE BY CHILDREN WITHOUT SUPERVISION. THIS APPLIANCE SHALL NOT BE USED BY CHILDREN. KEEP THE APPLIANCE AND ITS CORD OUT OF REACH OF CHILDREN.**

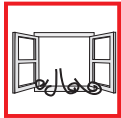


**CAUTION** Hazards or unsafe practices which could result in minor personal injury or appliance damage.



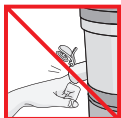
**DO NOT OPERATE WITHOUT LOCKING THE HOPPER PROPERLY.**

It may cause injury or failure.



**IF GAS LEAK IS DETECTED, DO NOT INSERT THE POWER CORD INTO THE ELECTRICAL OUTLET.**

It may cause injury or failure.



**NEVER PUT A FINGER, FORK OR SPOON, ETC. INTO JUICE OUTLET.**

It may cause injury or failure.



**IF AUGER ROTATION STOPS RUNNING DURING NORMAL OPERATION, PRESS [REVERSE/REV] BUTTON AND HOLD FOR 2~3 SECONDS. AFTER REVERSE OPERATION HAS COME TO A COMPLETE STOP, PRESS [ON] BUTTON AGAIN.** If such stoppage continues, parts may be damaged and performance may be deteriorated due to overheating of the motor. If problem continues, immediately stop the appliance and contact the local Customer Care Center.



**DURING THE OPERATION, DO NOT ATTEMPT TO MOVE THE BASE OR DISASSEMBLE THE CHAMBER SET DURING OPERATION.**

It may cause injury or failure. Always switch off first and unplug the power cord before moving or disassembling the appliance.

## WARNINGS AND CAUTIONS



**WHEN USING THE APPLIANCE, BE CAREFUL TO KEEP LOOSE ITEMS SUCH AS NECKTIE, LONG NECKLACE, SCARF, ETC. AWAY FROM THE HOPPER CHUTE.**

It may cause injury, failure or breakage.



**PLACE THE APPLIANCE ON A FLAT AND STABLE SURFACE.**

It may cause injury or failure.



**DO NOT OPERATE THE APPLIANCE FOR MORE THAN 30 MINUTES AT A TIME.**

It may cause a motor failure due to overheating.

Cool it down sufficiently for about 5 minutes before operating it again.



**WHEN PLACING INGREDIENTS INTO THE HOPPER CHUTE, ONLY USE THE PUSHER PROVIDED.**

It may cause injury or failure.



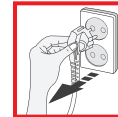
**DO NOT APPLY SEVERE SHOCK TO THE APPLIANCE OR DROP IT.**

It may cause electric shock, fire or damage.



**IF THE APPLIANCE GIVES OFF AN UNPLEASANT SMELL, PRODUCES SMOKE OR HEATS EXCESSIVELY, STOP USING IMMEDIATELY AND CONTACT THE LOCAL CUSTOMER CARE CENTER.**

When using a new appliance, it may initially give off a smell. The smell will disappear naturally over time.



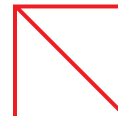
**ALWAYS UNPLUG THE APPLIANCE AFTER USE. WHEN UNPLUGGING THE POWER CORD, MAKE SURE TO HOLD THE HEAD OF THE POWER CORD.**

Pulling on the wire to unplug may cause electric shock or fire.



**DO NOT WASH AT HIGH TEMPERATURES OF 80°C(176°F) OR HIGHER. DO NOT PLACE THE APPLIANCE IN A DISHWASHER, A DRYER OR A MICROWAVE.**

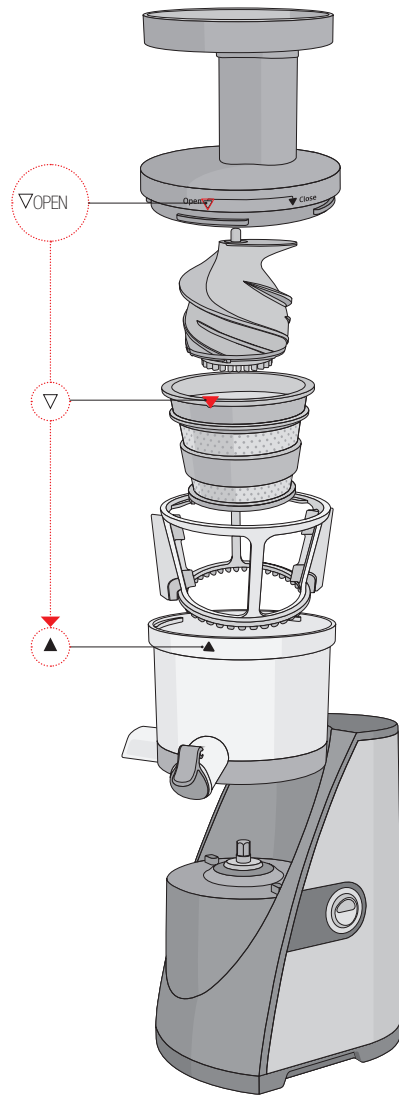
It may cause failure or deformation of parts.



**THE APPLIANCE WEIGHS ABOUT 6.35KG (14LB). WHEN MOVING THE APPLIANCE, ALWAYS SECURELY HOLD BY THE GRIP ON THE BOTTOM OF THE BASE WITH BOTH HANDS.**

Do not hold the appliance by the chamber or the edge of the base. The base may slip and drop, causing injury or failure.

## SLOW JUICER ASSEMBLY



**STEP 4** Align the Chamber arrow [▲] with hopper arrow [▽OPEN] and turn the hopper clockwise until it clicks so that the hopper arrow [▽CLOSE] aligned with Chamber arrow [▲].

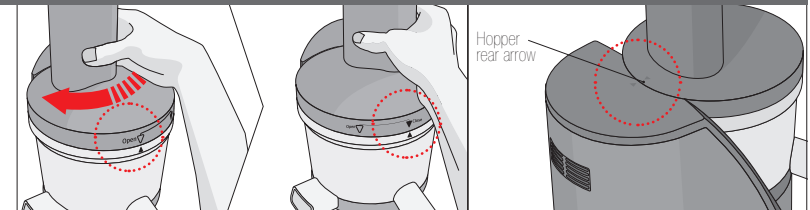
**STEP 3** Make sure to press the Auger down into the strainer in STEP 2. The hopper does not close properly when the Auger does not fit in completely.

**STEP 2** Assemble the parts in the following order: Chamber>Spinning Brush> Strainer. Make sure Chamber arrow [▲] aligns with strainer arrow [▽].  
 ▶ The spinning brush can be assembled regardless of the direction.

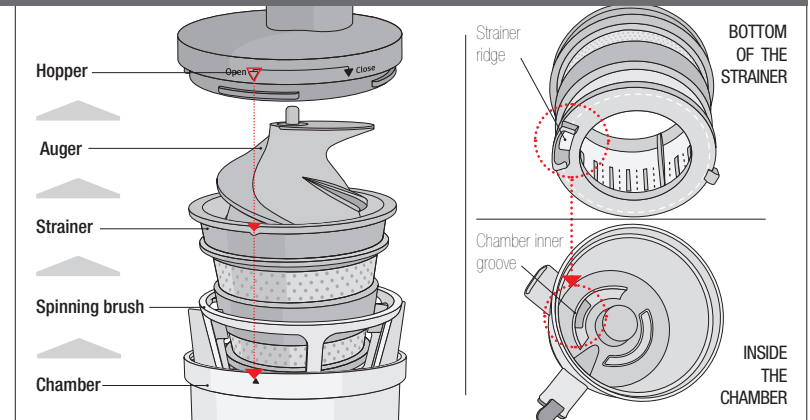
**STEP 1** Place the Chamber on the base.

## SLOW JUICER ASSEMBLY IN DETAIL

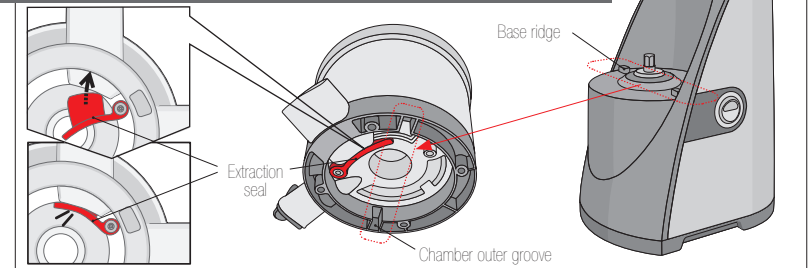
**4** Align the hopper arrow with the base arrow located at the rear of the appliance. The hopper will not close if the parts are assembled incorrectly.



**2,3** Assemble the parts in the order of chamber>spinning brush>strainer>squeezing auger>hopper. When assembling the spinning brush, line up the strainer ridge with the inner groove of the chamber. Align all arrows on the chamber, strainer and hopper.

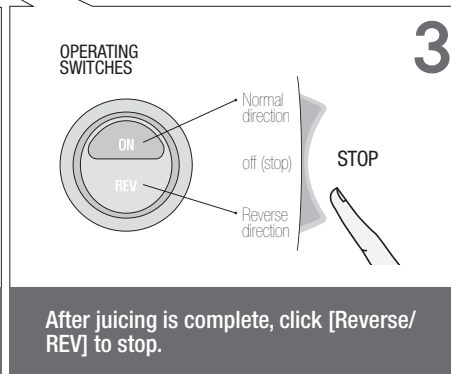
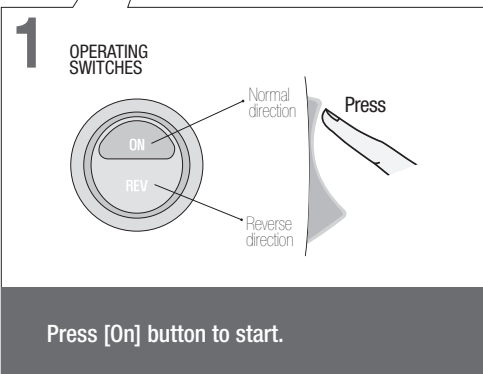
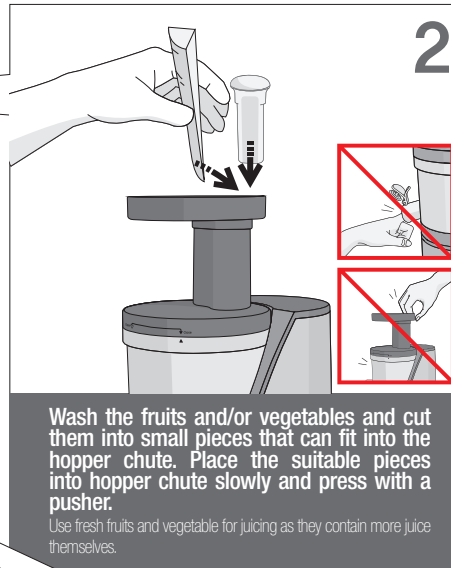
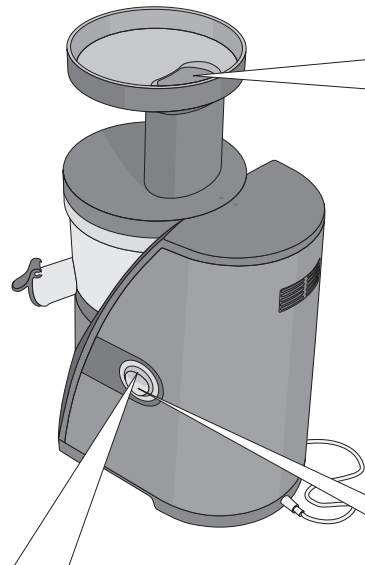


**1** Firmly insert the extraction seal located at the bottom of the chamber into the pulp outlet. Make sure the outer groove of the chamber is completely aligned with the base ridge.



## HOW TO USE THE APPLIANCE

### REAR VIEW

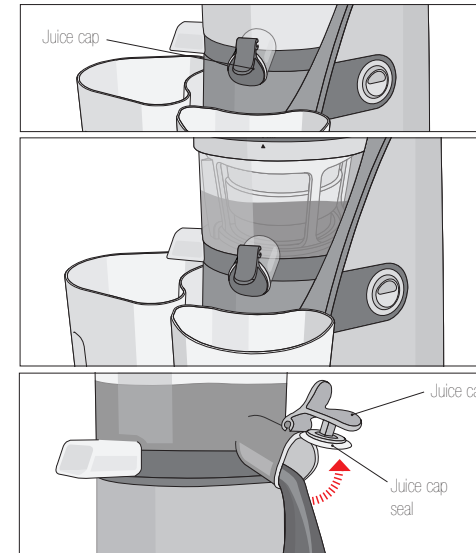


► Motor does not stop immediately upon pressing [Reverse/REV]. For safety reasons and to preserve the performance level of the appliance, the motor will slowly come to a complete stop.

## JUICE CAP AND EXTRACTION SEAL

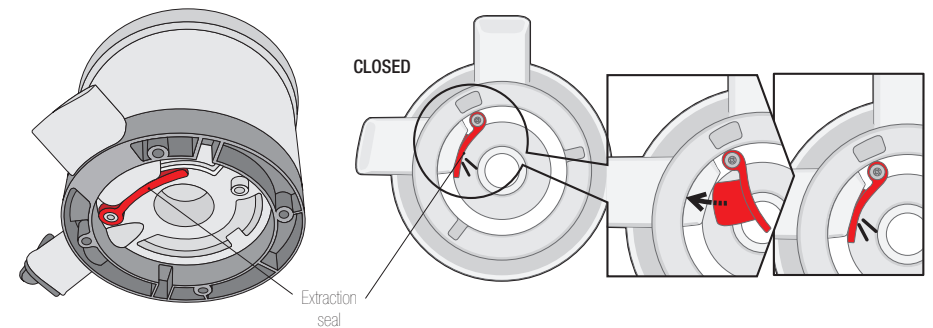
### JUICE CAP

This is the juice outlet cap on the chamber. Close the juice cap to fill up the chamber with juice from various ingredients.



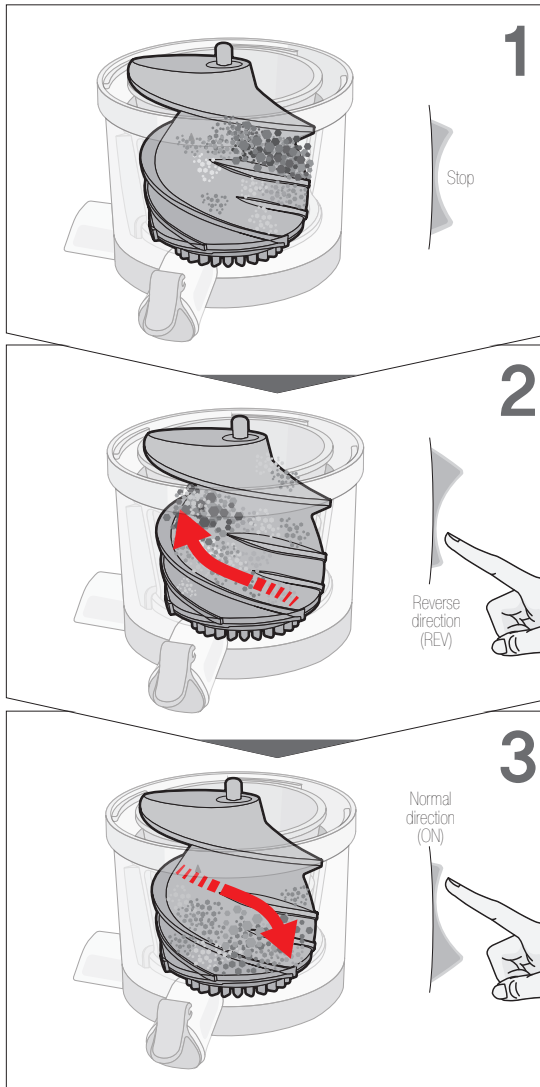
### EXTRACTION SEAL

This is the pulp stopper made of silicone located at the bottom of the chamber. Always close the extraction seal before every use as shown below. For cleaning, open the extraction seal and wash out the trapped food particles. (Page 16)





## WHEN THE AUGER IS STOPPED DURING OPERATION (REVERSE/REV BUTTON)



**1** Click the [Reverse/REV] button on the operating switch and stop the appliance.

**2** Hold down the [Reverse/REV] on the operating switch for 3~5 seconds and release it. Repeat this process 2~3 times.

▶ Reverse button pushes the ingredients back up. Reverse only works while the button held down. The Reverse rotation of the auger stops once the button is released.

**3** After the rotation stops completely, press [ON] button to operate.

▶ Before changing the rotation direction of the auger, make sure that auger has come to a complete stop.

### NOTE

If the auger does not work even after following the directions above, unplug the power cord from the electrical outlet, disassemble and clean the chamber set before attempting again.

## IMPORTANT SAFEGUARDS FOR USE

- Fruits with pits and hard seeds such as nectarines, peaches, mangos, apricots, plums and cherries must be pitted before juicing.
- Cut fibrous ingredients (water parsleys, etc) into small sizes about 3~4cm(1.5inch) before placing into the hopper chute.
- Drink the fruit juice or green vegetable juice immediately after extraction. The juice will lose taste and nutritional value longer it is exposed to air.
- Do not use the appliance for grinding dry ingredients such as grains, coffee beans, etc. This may damage the parts or cause failure of the appliance.
- Do not re-squeeze leftovers expelled through the pulp outlet.
- Do not operate the appliance when the chamber is empty.



### DO NOT USE CONTINUOUSLY FOR MORE THAN 30 MINUTES.

It may cause a failure due to overheating of the motor. When using continuously, stop and cool it down for about 5 minutes after each use.



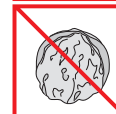
### NEVER INSERT FINGER, FORK OR SPOON, ETC. INTO THE JUICER OUTLET DURING OPERATION.

Inserting foreign objects into the juice outlet during operation may cause the spinning bush to become stuck and damage the parts.



### USE ONLY THE PUSHER TO PRESS DOWN THE INGREDIENTS.

Any other objects may damage the parts and cause injury or failure of equipment.



### DO NOT PLACE GRAINS, FRUIT WITH HARD SEED OR NUTS WITH HARD SHELL SUCH AS WALNUTS INTO THE JUICER.

It may damage the chamber, auger, squeezing strainer, etc. Fruits with pits, hard seeds such as nectarines, peaches, mangos, apricots, plums and cherries must be pitted before juicing.



### DO NOT OPERATE SWITCHES WITH WET HANDS.

It may cause electric shock or fire. Do not put foreign objects on or near the switch.



### DO NOT USE FOR MEAT OR SEAFOOD.

It may cause abnormal performances or a failure.



### DO NOT USE FOR FRUIT PRESERVED IN SUGAR, HONEY, ALCOHOL, ETC. (GRAPES, APRICOT, BERRIES, ETC.)

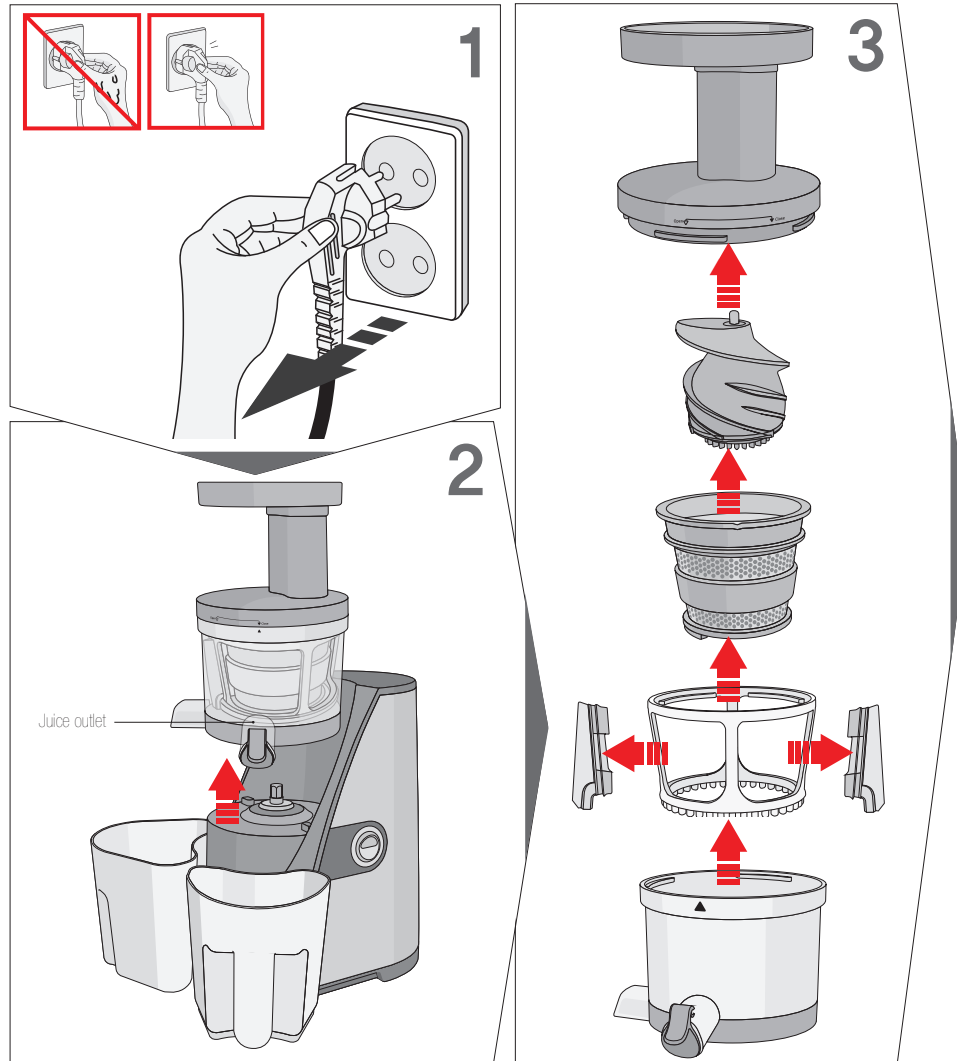
It may cause the hopper to become stuck and difficult to open.

### NOTE

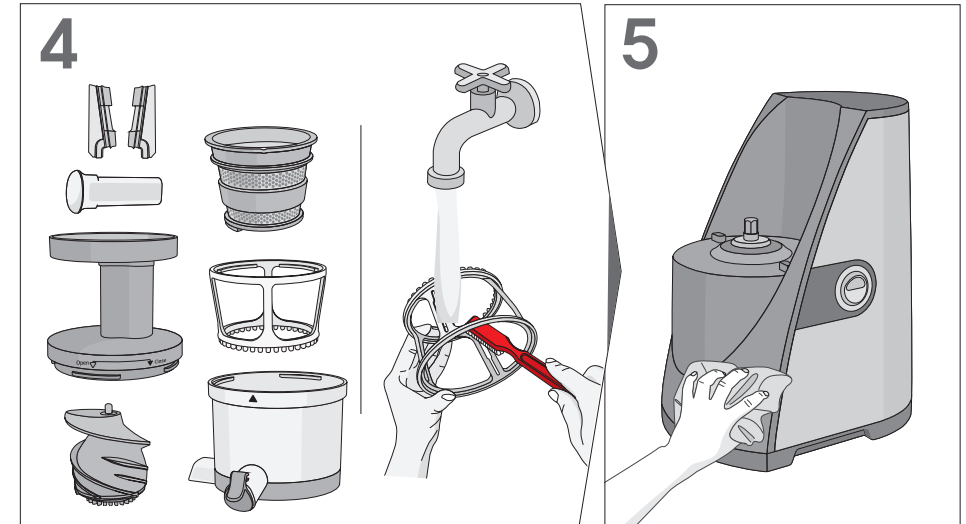
Frozen fruit or withered ingredients that have been stored in the refrigerator for a long time may produce less juice or may be difficult to juice.

**DISASSEMBLING, CLEANING AND CARE**

FIGURE IN ORDER

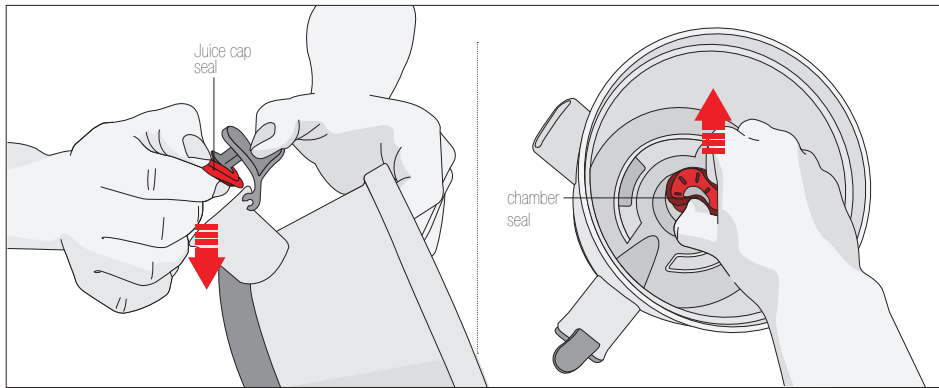


**DISASSEMBLING, CLEANING AND CARE**



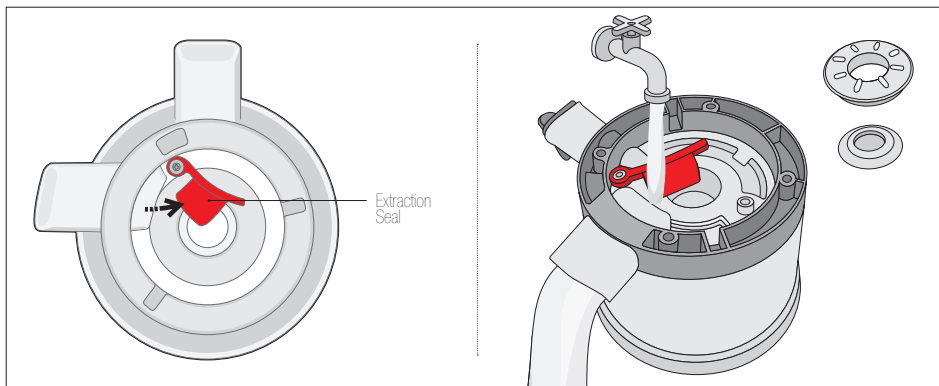
- 1. Ensure the motor has stopped completely and unplug the power cord.**
  - ▶ When unplugging the power cord, hold the head part of the power cord and unplug it. Do not touch the power cord with wet hands.
- 2. Hold the juice outlet and the hopper with both hands and lift them up from the base.**
- 3. Disassemble parts as below:**
  - 1) Unlock the chamber by rotating it counterclockwise.
  - 2) Remove the auger.
  - 3) Remove the strainer.
  - 4) Remove the spinning brush.
- 4. Rinse each part with the cleaning brush. Brush the inside and outside of each part thoroughly under running water.**
  - ▶ Never use scouring pads, abrasive cleaning agents, harsh detergents or sharp cleaning tools. Do not wash the parts in the dishwasher or a dish dryer.
- 5. Wipe the base with a soft, damp cloth and dry thoroughly.**
  - ▶ Do not immerse the base unit in water or any other liquid or rinse it under running water.
- 6. After cleaning, allow the parts to air-dry completely and store it in a clean and safe place.**
  - ▶ Always wash the chamber set immediately after use. Without prompt cleaning, the pulp residue may dry and crust on the parts, making it difficult to disassemble or clean at a later time. Improper cleaning may also cause decreased performance of the appliance.

**DISASSEMBLING AND CLEANING THE CHAMBER**



**1** Remove the juice cap seal and the chamber seal.

- ▶ Open juice cap first. Hold the chamber and juice cap with one hand and peel off the juice cap seal with the other hand. Remove the chamber seal by pinching and twisting it off with fingers.



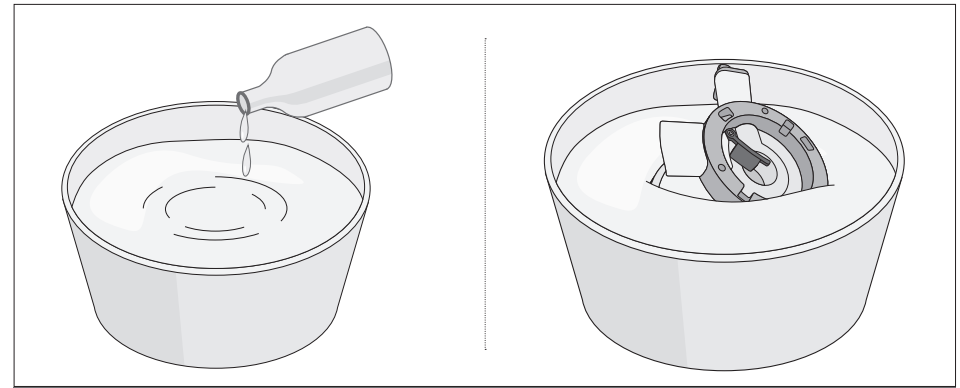
**2** Open the extraction seal at the bottom of the Chamber.

**3** Wash the chamber and both seals.

- ▶ Wash the chamber and the seals with cleaning brush under the running water.

**STERILIZATION AND EASY CLEANING SYSTEM**

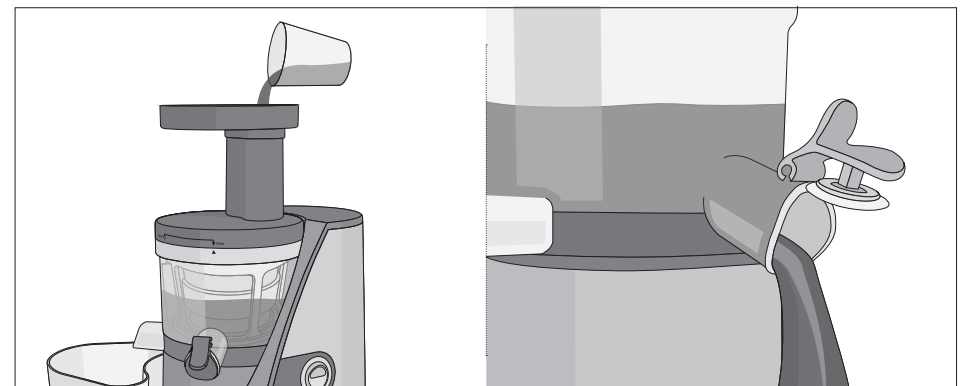
**STERILIZATION**



For sterilization, use baking soda or natural cleaning liquids only.

- ▶ Sterilize all washable parts by immersing in a dilute solution of baking soda (about 1~2 teaspoon in 1 quart of water) for 30 minutes.

**EASY CLEANING SYSTEM**

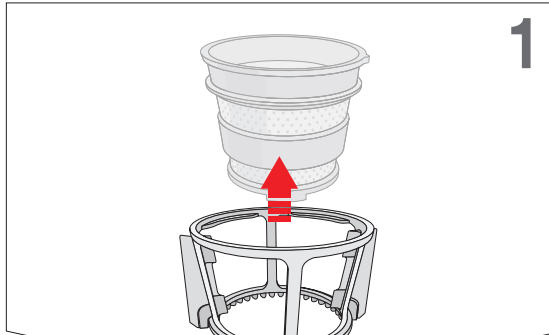


**1** After closing the juice cap, pour water into the hopper chute and press the [ON] button.

**2** After about 15 seconds, turn off the appliance, open the juice cap and discharge the water.

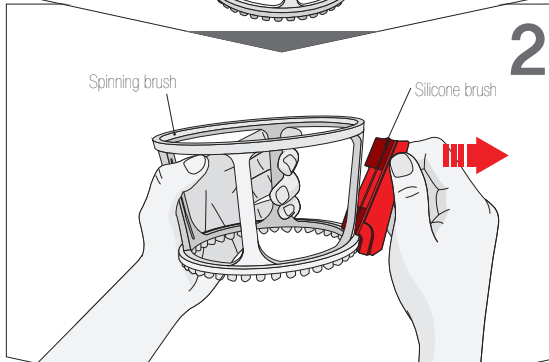
- ▶ It is not necessary to disassemble and wash the chamber every time between different recipes. However, always disassemble and wash the chamber set after the last juicing.

**DISASSEMBLING AND CLEANING THE SPINNING BRUSH**



**1**

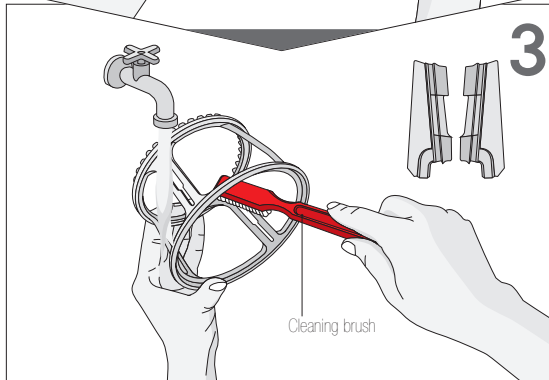
**Remove the spinning brush from strainer.**



**2**

**Detach the silicone brush from the spinning brush.**

- ▶ As shown in the figure, hold the outer part of silicone brush and pull it out gently in the direction of the arrow. Silicone brush may be torn or damaged if it is pulled apart forcefully.

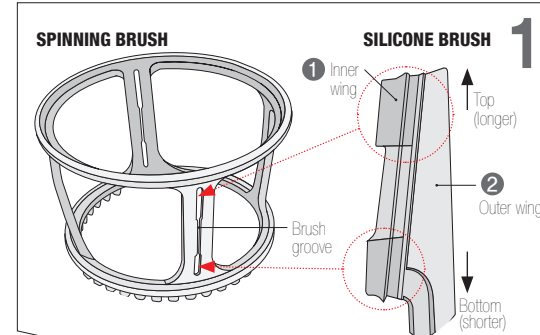


**3**

**With the cleaning brush, wash inside and outside of spinning brush under running water.**

- ▶ Clean the silicone brush in the same way under running water.

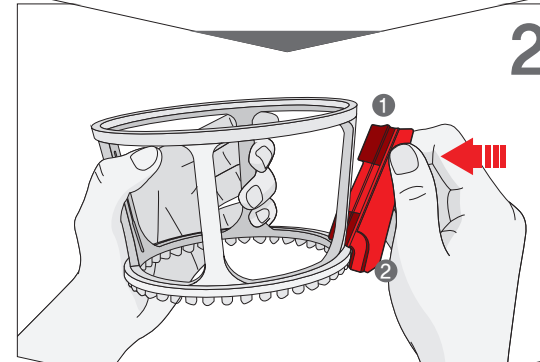
**ASSEMBLING THE SPINNING BRUSH**



**1**

**Check the groove of the spinning brush and the direction of silicone brush.**

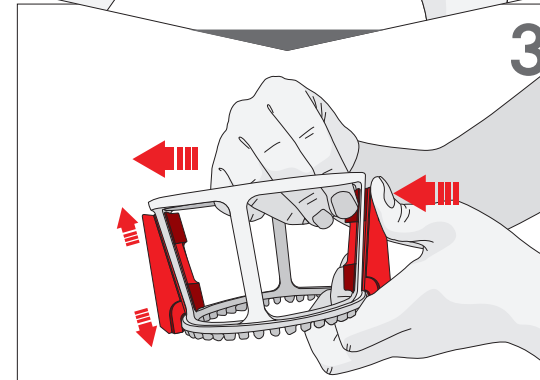
- ▶ There are grooves to insert silicone brush in the spinning brush. Silicone brush has inner wing **1** and outer wing **2**.
- ▶ As shown in the figure on left, position the silicone brush so the 'inner wing' faces the spinning brush.



**2**

**Insert the silicone brush into the spinning brush.**

- ▶ Hold the wing so the longer part of inner wing face upward (see Step **1** above).
- ▶ Hold the outer wing **2** of silicone brush with your thumb and index finger and insert the inner wing into the groove of spinning brush.

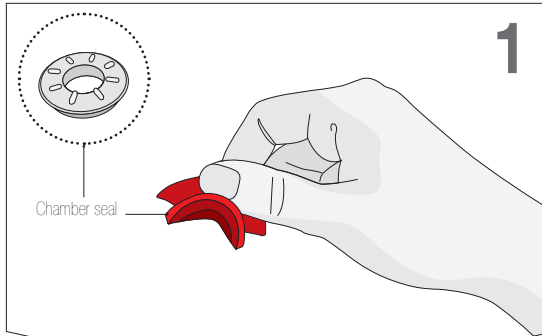


**3**

**Pull the inner wing tightly into the spinning brush.**

- ▶ Push the silicone brush in from the outside and pull the inner wing into the spinning brush with the other hand. (See figure)
- ▶ Pull the silicone brush tightly into the groove on the spinning brush. The unit may be damaged if it is operated without being properly and fully assembled.
- ▶ Make sure the silicone brush is placed firmly into the groove by holding the top and bottom part of the outer wing and pulling it up and down in opposite directions.

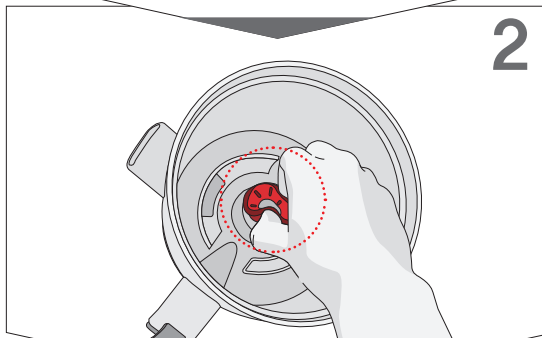
## ASSEMBLING THE CHAMBER SEAL



1

**Hold the chamber seal by pinching it between the thumb and index finger.**

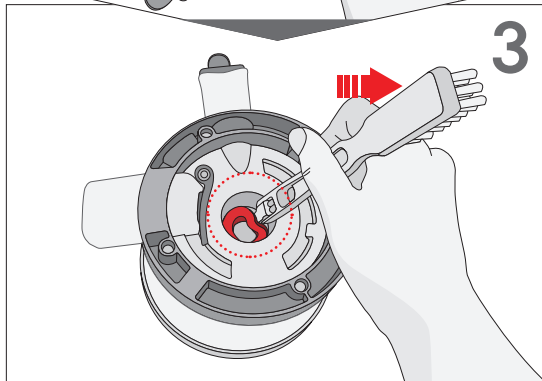
- ▶ As shown to the left in the dotted circle, let the protruding part on the chamber seal face upward when you hold it by pinching it between the thumb and index finger.



2

**Insert the chamber seal into the chamber hole.**

- ▶ Insert the bottom of the chamber seal into the chamber hole and press it down fully. Do not insert the entire chamber seal. The upper part of the chamber seal must stay above the chamber hole.

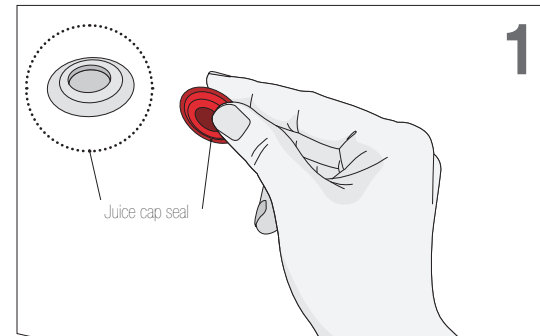


3

**Turn over the chamber and settle the chamber seal into place.**

- ▶ If the chamber seal at the bottom of the chamber is not fully installed, set it into place properly with the rotating pick on the end of the cleaning brush.

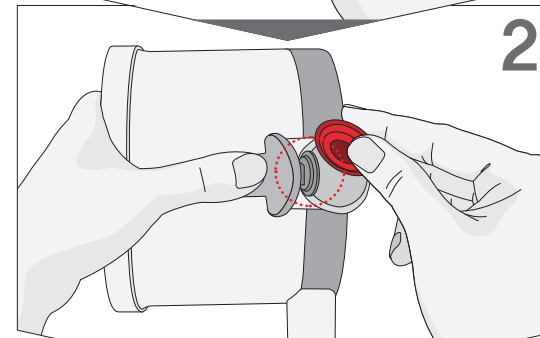
## ASSEMBLING THE JUICE CAP SEAL



1

**Hold juice cap seal as shown on the left.**

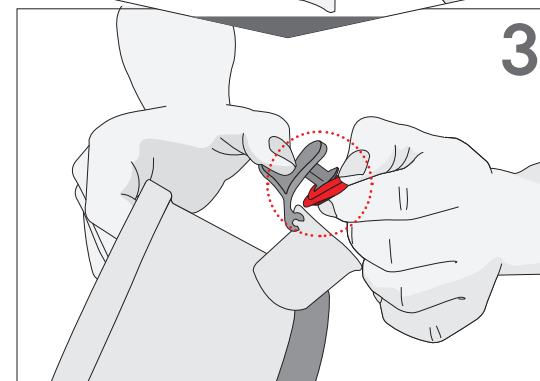
- ▶ As shown on the left in the dotted circle, the opening on the seal must be visible when you hold the seal.



2

**Open the juice cap and fit the juice cap seal on to the inner disk.**

- ▶ Be careful not to drop the chamber.



3

**Arrange the seal for a complete fit.**

- ▶ If the seal is not placed correctly, it may cause juice leakage.

## TROUBLESHOOTING

Please check the details below before contacting Technical Support for repair or service.

If you need additional information, please contact the local Customer Care Center or visit [www.hurom.com](http://www.hurom.com).

When applying for after-sales service, please have the manufacturer's serial number or bar code available.

### THE APPLIANCE DOES NOT WORK.

Make sure the power cord is properly plugged in.

Check if the hopper is assembled properly. If the hopper has not been locked into place, the appliance will not operate for safety reasons.

Check if the appliance has been assembled according to the directions given in the manual.

Refer to the assembling instructions in the manual or consult with a local Customer Care Center for additional assistance.

### THE HOPPER DOES NOT OPEN.

Is there lot of pulp left inside the chamber? Press [ON] button to expel excess pulp.

Have you placed any foreign substances or solid objects such as hard seeds in the juicer?

Press the [Reverse/REV] button to bring the foreign objects back up toward the hopper chute.

DO NOT attempt to open the hopper by force. If the issue is not resolved after following the above process, contact the local Customer Care Center.

### THE APPLIANCE STOPS DURING NORMAL OPERATION.

Have you put in heavy loads or large pieces of ingredients into the appliance?

Read page 12 of the manual and follow the guideline for using [Reverse/REV] button.

If the issue is not resolved after following the above process, contact the local Customer Care Center.

### THERE ARE FINE LINES OR SCRATCH MARKS ON THE PRODUCT.

These are molding marks resulting from the normal manufacturing process. This is a normal product and there is no problem for use.

### WHAT IS THE DIFFERENCE BETWEEN FINE STRAINER AND COARSE STRAINER?

Use the fine strainer with smaller holes for clearer, less pulpy juice.

Use the coarse strainer with bigger holes for thicker, more pulpy juice.

Refer to page 3 of the manual for selection of suitable ingredients for each strainer.

### JUICE LEAKS OVER THE BASE.

Is extraction seal inserted properly?

Juice could leak out when the extraction seal is loose or has not been inserted properly. Push the extraction seal all the way for a tight seal.

Juice is still leaking even with the extraction seal inserted correctly.

Overloading may be the problem. If the chamber is overloaded with ingredients, the extraction seal may be pushed out of position, allowing the juice to leak out through the gap. Always juice small, manageable amount of ingredients at a time and avoid processing heavy loads.

### THE CHAMBER SHAKES DURING OPERATION.

Slight shaking may be caused by the motor.

Depending on the texture of the ingredient, there may be slight to more pronounced shaking of the appliance.

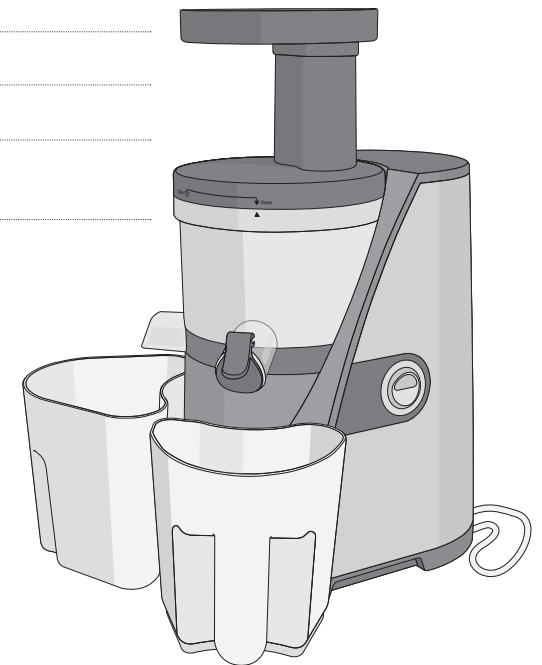
There is some level of shaking when the auger is rotating. This is a normal occurrence and not a malfunction.

Hard ingredients (e.g. carrot, potato, radish, beet, etc.) may cause more shaking than soft ingredients.

## APPLIANCE SPECIFICATIONS

### SPECIFICATIONS

PRODUCT NAME	Hurom Slow Juicer
MODEL NAME	HJ Series
RATED VOLTAGE	120 V
RATED FREQUENCY	60 Hz
RATED POWER CONSUMPTION	150 W
RPM (REVOLUTIONS PER MINUTE)	80 rpm
CORD LENGTH	1.4 m
MOTOR	Single-phase induction motor
FUSE	250 V 8 A
WEIGHT	6.35 kg (14 lb)
OUTWARD DIMENSIONS	Width 173 mm Length 243 mm Height 398 mm
RATED OPERATING HOUR	Less than 30 minutes



## WARRANTY

---

Product name	.....	Model name	.....
Manufacture's serial number	.....	Date of purchase	.....
Supplier	.....	Customer name	.....
Address	.....		

Important: To better protect your purchase, fill out and mail this form to a local distributor where you purchased the appliance and keep the original receipt.

This certifies that the Hurom Slow juicer is covered under warranty by **HUROM** to be free from defects in material construction and workmanship.

**HUROM** provides warranty for ten (10) years for the motor and two (2) years for other parts from the date of purchase by the original purchaser. Coverage is valid only with proof of purchase from an Authorized Local Distributor. (No international warranty available)

This warranty does not apply to damages cause by accident, misuse, abuse, commercial use, alteration, failure to follow operating instructions, or damage caused by parts or service unauthorized by **HUROM**. Damages cause by transportation must be claimed with carrier.

**HUROM** disclaims all responsibilities for consequential damages from incidental losses caused by use of this appliance. For service and assistance with technical difficulty, please contact local customer care center.

**HUROM** Manufacturer : **HUROM**  
Hurom webpage : [www.hurom.com](http://www.hurom.com)

## MEMO

---





HUROM®

2 4PJ12242\_V.01



[www.hurom.com](http://www.hurom.com)

Copyright© All Rights Reserved by HUROM