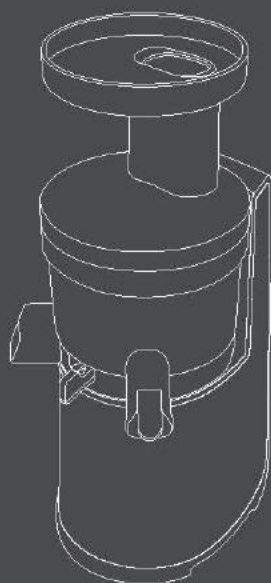


HUROM

HG Elite Instruction Manual



01

Important Safeguards

02

How to assemble

04

Parts and Accessories

05

Juicing tips

06

How to use

07

Using the Auto-Pulp
Lever

08

When the auger stops
during operation

09

Troubleshooting guide

10

Warranty/
Product Specifications

For Household Use Only

- 1 Read the instructions carefully before using.
- 2 Keep these instructions, where easily accessible.
- 3 Use only with 120V AC power supply.
- 4 Design and product development may be upgraded without notice.
- 5 Any quality improvements are subject to change without notice.

IMPORTANT SAFEGUARDS

All users of this appliance must read and understand these safety precautions before operating to avoid personal injury or damage to the appliance.



Warning Hazards or unsafe practices that could result in appliance damage, serious personal injury, or death.

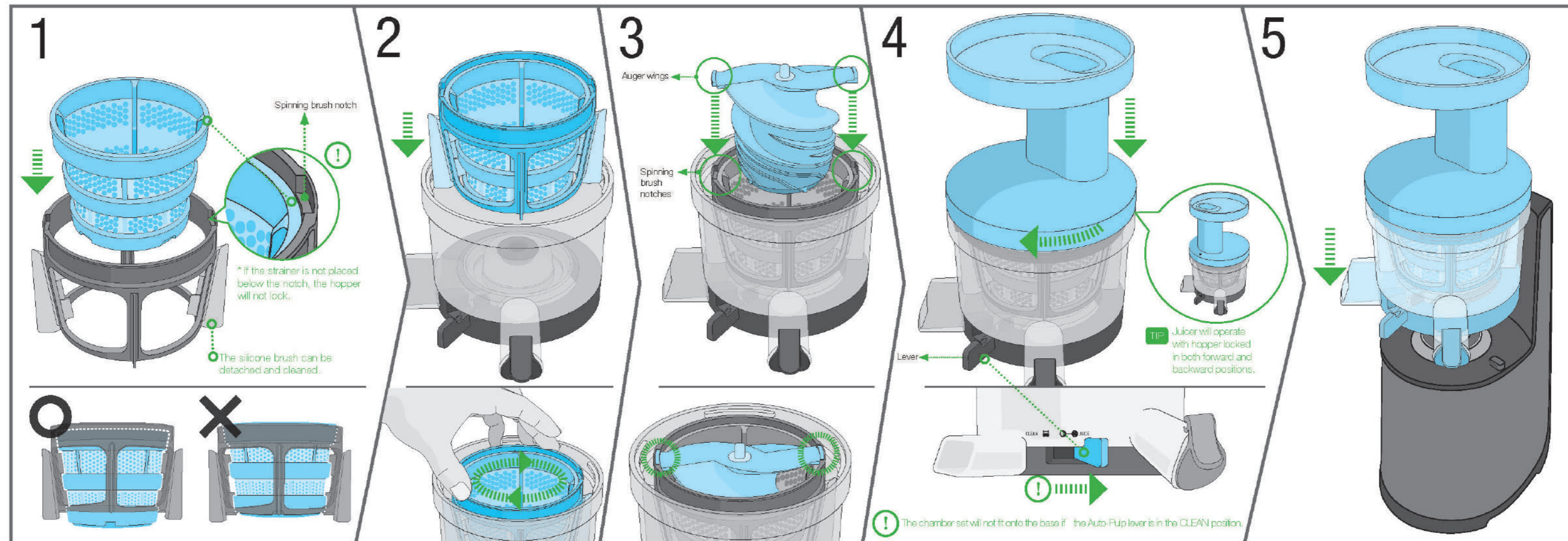
- When using electrical appliances, basic safety precautions should always be followed. Read all instructions.
- To protect against risk of electrical shock, do not put the main body (motor) in water or any other liquid.
- Close supervision is necessary when any appliance is used near children.
- Unplug from outlet when not in use, before assembling or taking off parts and before cleaning.
- Avoid contact with moving parts.
- Do not operate any appliance with a damaged cord or plug, or after the appliance malfunctions, or is dropped or damaged in any manner. Return appliance to the nearest authorized service facility for examination, repair or electrical or mechanical adjustment.
- The use of attachments not recommended or sold by the manufacturer may cause fire, electric shock or injury.
- Do not let cord hang over edge of table or counter.
- Always make sure hopper is securely fastened in place before motor is turned on. Do not unfasten hopper while juicer is in operation.
- Be sure to turn switch to off position after each use of your juicer. Make sure the motor stops completely before disassembling.
- Do not put your fingers or other objects into the juicer while it is in operation. If food becomes lodged in opening, use food pusher or another piece of fruit or vegetable to push it down. When this method is not possible, turn the motor off and disassemble juicer to remove the remaining food.
- Do not use outdoors.
- Do not place on or near a hot gas or electric burner or in a heated oven.
- Do not use appliance for other than intended use

SAVE THESE INSTRUCTIONS



Caution Hazards or unsafe practices that could result in minor personal injury or appliance damage.

- Do not operate without locking the hopper properly.
- Do not attempt to juice hard materials such as large seeds (those that cannot be swallowed or chewed), pits, or ice.
- Do not attempt to move the base while operating.
- Do not put any parts into the dishwasher or use abrasives to clean. Exposure to heat or abrasives can cause damage.
- If food gets stuck in the feeding tube, do not use anything other than provided pusher .
- Do not use for more than 30 minutes continuously (for household use only).
- If the appliance gives off an unpleasant smell or smoke or overheats, stop using immediately and contact customer service. *When using a new appliance, it may give off a smell which will disappear naturally over time.
- Do not input fruit preserved in sugar, honey, alcohol, etc, as the hopper may not open easily.
- Always unplug the appliance after use.



Place strainer into spinning brush. Press strainer down inside spinning brush until the upper edge of the strainer is below the notches in the top of the spinning brush.

If the strainer is not fully nested in the spinning brush, the chamber set will not properly fit together.

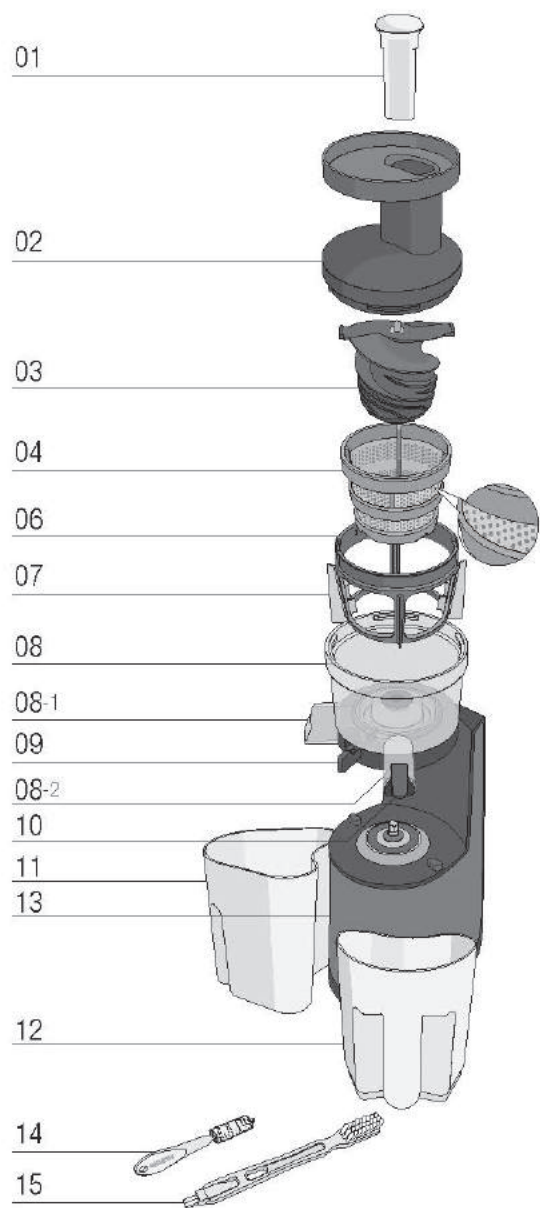
Lower assembled strainer and spinning brush into chamber, and rotate gently to the left and right without pressing down until it settles in place. Do not press down on assembly during rotation.

Assemble the auger like the picture. Place auger into center of chamber assembly and push down until wings are fully secured in the notches at the top of the spinning brush.

Secure hopper onto assembled chamber and turn hopper clockwise until it clicks and will not rotate further. Set Auto-Pulp lever on chamber to **JUICE** position.

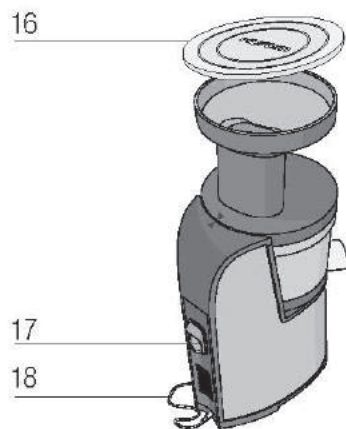
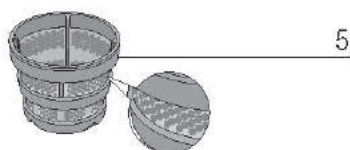
! Set Auto-Pulp lever on chamber to **JUICE** position

Place the assembled chamber set onto motor base. Chamber set must be fully seated onto base to operate.



Terms of parts

- | | |
|-------------------|----------------------------|
| 1 Pusher | 10 Juice Cap |
| 2 Hopper | 11 Pulp Container |
| 3 Auger | 12 Juice Container |
| 4 Fine Strainer | 13 Base |
| 5 Coarse Strainer | 14 Small Cleaning Brush |
| 6 Spinning Brush | 15 Cleaning Brush |
| 7 Silicone Brush | 16 Hopper Lid |
| 8 Chamber | 17 Operating Switch |
| 8-1 Pulp Outlet | 18 Power Cord |
| 8-2 Juice Outlet | 19 Pulp Strainer Accessory |
| 9 Auto-Pulp Lever | |



How to trim the ingredients!

- | | |
|---|---|
| Apple, kiwi | Kiwi can be juiced without removing seeds and peels. Apple can be juiced with the peel avoiding the seeds. Apple seeds contain toxicity. |
| Pomegranate, grapes | Separate grapes from cluster. Remove skin from pomegranate and juice seeds only. |
| Watermelon, orange, grapefruit | Remove rind from watermelon and peel from citrus fruits. Cut into chunks to fit hopper opening. |
| Mango, cherry, peach | Remove pits from mangoes, cherries, peaches or any fruit with large pits. The pits can cause damage or stoppage and must be removed before juicing. |
| Wheatgrass, chives | Hold wheatgrass or chives in a bunch and drop into the juicer. |
| Water parsleys, angelica, celery, kale | Cut fibrous foods into 1-inch pieces or less. |

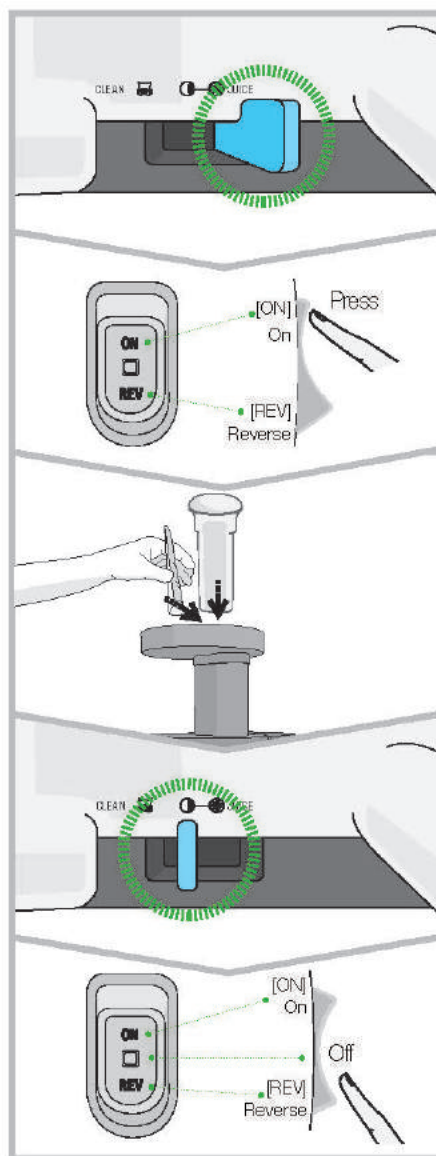
* This reference is for trimming ingredients; please keep in mind personal food intolerances or allergies when choosing your ingredients.

* Please refer to the recipe book for the product usage of each ingredient.

Which one is better, Fine Strainer or Coarse Strainer?

Fine Strainer
Fine strainer has small holes for making clearer juices.

Coarse Strainer
Coarse strainer has larger holes for thick, pulpy juice.
It's also great for juice from soft fruits, thick juices like banana and strawberry, smoothies or soups.



1 Place the Auto-Pulp lever in the **JUICE** position before operating.

2 Press [ON] button to start.

3 Drop ingredients gradually in the hopper, alternating ingredients when possible and using the pusher only if items get stuck in the hopper chute.
*NOTE: Do not force feed machine.

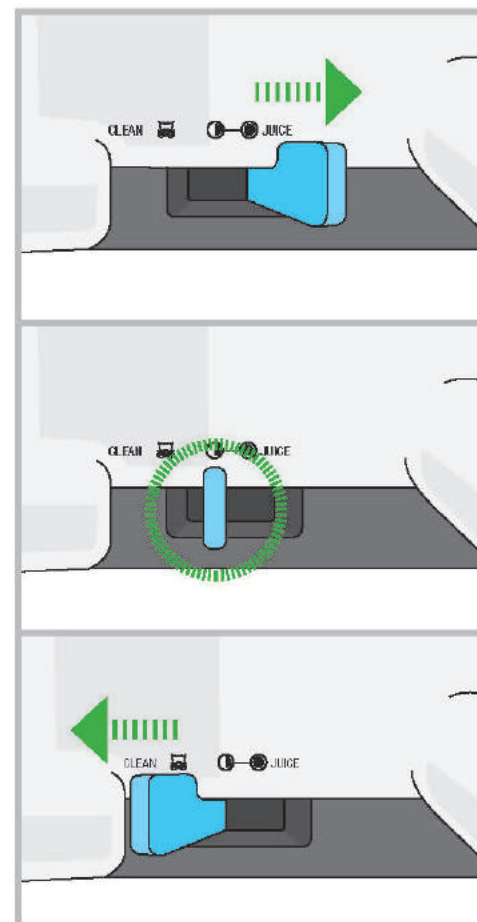
4 Put the Auto-Pulp lever in the half-closed position before putting in the last ingredients.
This will allow the compressed pulp inside the chamber set to release for easier disassembly and cleaning.

5 After extraction is complete and pulp is no longer being ejected, turn machine off.

⚠ When switching from [ON] to [REV] positions, make sure that the auger stops completely between directions.

How to use the Auto-Pulp lever

You can easily open and close the Auto-Pulp system's extraction packing



Assembly and Extraction **JUICE**

For most ingredients, the extraction rate is best with the Auto-Pulp lever in the **JUICE** position. Always place the lever in this position when beginning to extract juice.

For fruits that have hard seeds such as grapes and pomegranates, switch the Auto-Pulp lever to the half-closed position when juice begins to come out.

Completion and Advanced Self-Cleaning

Place Auto-Pulp lever in half-closed position to release the compressed pulp after putting in the last ingredients for juice extraction. This allows for easier disassembly and cleaning.

For Advanced Self-Cleaning, place Auto-Pulp lever in half-closed position and close Juice Cap. Fill chamber with water and allow juicer to run for 1 minute, then open Juice Cap to release water and residue fully before turning juicer off.

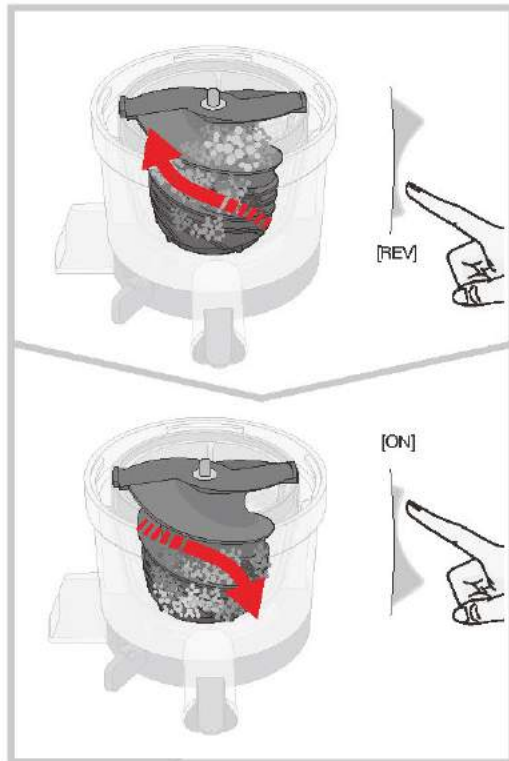
Cleaning **CLEAN**

For cleanup at the sink, move Auto-Pulp lever to the **CLEAN** position for easy access to the pulp outlet.

You can then easily and conveniently clean the chamber.

! When it is difficult to open the hopper after juicing:
• Put the Auto-Pulp lever in half-closed position and press [REV] button for 3-4 seconds to release pressure from chamber set. The hopper will then open easily. Repeat if necessary.

When the auger stops during operation



1 Press [REV] for 3-4 seconds to release pressure from chamber set. Repeat if necessary.

► During reverse operation, the juicer will push the ingredients back upward.

Reverse rotation operates only while holding the switch in [REV] position, and shuts off when switch is released.

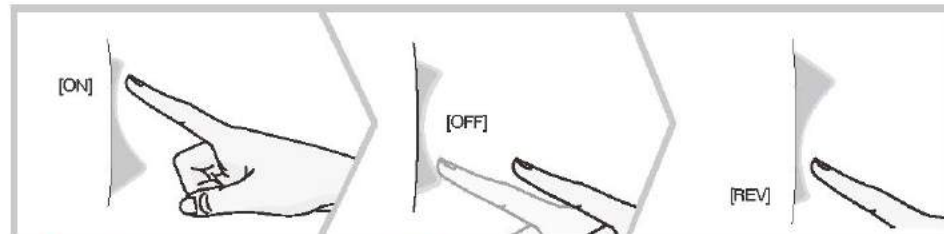
2 Press [ON] after reverse auger rotation stops completely to continue juicing.

► Before reversing directions, make sure that the auger stops completely.

Note

If the auger still won't turn after following the above directions, disassemble chamber set, clean the parts, and try again.

Caution when using operation button



! When you switch the juicer to [OFF], the auger does not stop immediately. Do not switch the juicer to operate in the opposite direction until the auger's movement has completely stopped. Once the rotation stops completely, you may switch to operate in either direction.

TROUBLESHOOTING

PROBLEM	POSSIBLE REASONS	SOLUTION
The juicer will not start/does not work	No power. Chamber not properly aligned on base (as a safety feature, the juicer will not work if the pieces are not assembled correctly)	Make sure the power cord is plugged in. Check that the hopper is assembled properly on the base
The bowl is stuck on the base	Excessive food in the chamber or unknown substance in the bowl	Press the reverse button for 3-5 seconds. Repeat the process 2-3 times. Then gently push chamber upward
Hopper/lid is stuck	Excessive food in the chamber or unknown substance in the bowl	Press the reverse button for 3-5 seconds. Repeat the process 2-3 times. Then press down on top of lid while turning. Do not attempt to open the hopper by force. If it still will not open, contact the Customer Care Center
The juicer or motor has stopped during normal operation	Excessive food in the chamber. Safety feature: automatic shutoff due to overheating	Press the reverse button for 3-5 seconds. Repeat the process 2-3 times. Then press down on top of lid while turning. If motor has stopped, let the machine cool down (about 5 minutes) before trying again
There is a squeaking noise when juicing	Friction between the squeezing auger and chamber or food	Squeaking is perfectly normal. Do not run the juicer without inputting food
The unit vibrates when in use	This is a sign of the motor working properly	Vibration is perfectly normal; however, severe shaking which causes imbalance of the unit should be checked for a defective auger
There is a water mark or scratch on the squeezing auger	These are molding marks, created during the manufacturing process	These marks and lines are a normal part of the process and will not affect performance
There is a color stain on the bowl, strainer, or spinning brush	Natural dye from food	Natural dye from food when juicing is perfectly normal. To reduce staining, rinse and clean immediately after each use. Diluted vinegar or bleach can also be used
There is mold in the silicone part of the spinning brush	Ineffective cleaning	Be sure to thoroughly clean by detaching the silicone brushes from the spinning brush
Strainer damage	Ice, large hard seeds or pits, unknown substance, or excess food in chamber	Refer to the instruction manual for proper usage and juicing tips. Remember not to overcrowd food or force foods into the juicer
Deformation of attachments	Exposed to heat or abrasive materials	Do not clean ANY attachments in the dishwasher; do not use hard cleansers or metal scrubbers. Plastics tend to deform when exposed to high heat
Too much pulp coming out in juice	Excess food in chamber clogging the strainer. Food not cut into small enough pieces.	Cut food, especially fibrous foods, into smaller pieces to avoid the fibers wrapping around the auger. Also input food at a slow pace, allowing all the pulp to eject before adding more food.
Juice isn't pouring into juice container	Juice Cap is closed	Open Juice Cap and allow juice to flow into juice container

Warranty

● Product name	● Customer name	● Model name
● Supplier	● Date of purchase	
● Address	● Manufacture's serial number	

Important: To better protect your purchase, fill out and mail this form to a local distributor where you purchased the appliance and keep the original receipt.

WARRANTY

Please keep your sale receipt as this will be required for any claims under this Warranty.

For the purpose of this Warranty, HUROM Warrants the motor of Hurom Slow Juicer ("Product") for a period of ten (10) years and the other parts of the Product for a period of two (2) years from the date of purchase only by the original purchaser ("Purchaser") when used as specified in product documentation such as the user manual and any other included materials describing the use and operation of the Products ("Documentation"). This Warranty is only valid for the Product purchased and used only in the USA and Canada by the Purchaser and shall not extend to any Products not purchased in the USA and Canada.

During this Warranty period, if in the unlikely event the Product no longer functions due to a design or manufacturing fault, Hurom will undertake within the Warranty period to repair or replace the Product or faulty part(s).

This Warranty does not cover faults or damages resulting from normal or excessive wear and tear, acts of god, misuse or negligence in operation or care, commercial use, alteration of the Products, improper or faulty repair of the Products, non-HUROM parts, or connection to electric or other current/voltage other than that marked in the instruction manual.

The rights under this Warranty shall not extend to the Products where the model number or serial number has been removed, replaced, altered or rendered illegible, or Products not purchased from an authorized HUROM retailer.

For service and assistance with technical difficulty, please contact our local customer care center.

DISCLAIMER

HUROM, OR SUBSIDIARIES, AFFILIATES, AUTHORIZED DISTRIBUTORS AND RETAILERS DISCLAIM ALL OTHER WARRANTIES, EITHER EXPRESS OR IMPLIED, INCLUDING, BUT NOT LIMITED TO IMPLIED WARRANTIES OF MERCHANTABILITY AND FITNESS FOR A PARTICULAR PURPOSE, WITH REGARD TO ANY RELATED MATERIALS. PURCHASER MAY HAVE OTHER RIGHTS DEPENDING ON THE JURISDICTION.

IN NO EVENT SHALL HUROM, OR SUBSIDIARIES, AFFILIATES, AUTHORIZED DISTRIBUTORS AND RETAILERS BE LIABLE FOR ANY DAMAGES WHATSOEVER (INCLUDING WITHOUT LIMITATION, SPECIAL, INCIDENTAL, OR INDIRECT DAMAGES FOR PERSONAL INJURY OR ANY OTHER PECUNIARY LOSS) ARISING OUT OF THE USE OF OR INABILITY TO USE THIS PRODUCT. IN ANY CASE, HUROM'S, OR SUBSIDIARIES', AFFILIATES', AUTHORIZED DISTRIBUTORS' AND RETAILERS' ENTIRE LIABILITY UNDER ANY PROVISION OF THIS WARRANTY SHALL BE LIMITED TO THE AMOUNT ACTUALLY PAID BY PURCHASER FOR THE PRODUCT. BECAUSE SOME JURISDICTIONS DO NOT ALLOW THE EXCLUSION OR LIMITATION OF LIABILITY FOR CONSEQUENTIAL OR INCIDENTAL DAMAGES, THE ABOVE LIMITATION MAY NOT APPLY TO PURCHASER.

HUROM Manufacturer: **HUROM**
Hurom webpage : hurom.com

Product Specifications

● Product Name	HG Elite Slow Juicer	● Cord Length	1.4 m
● Model	HG-SBB11	● Motor	Single-phase induction motor
● Rated Voltage	120 V	● Fuse	250 V 8 A
● Rated Frequency	60 Hz	● Weight	5.7 kg (12.5 lb)
● Rated Power Consumption	150 W	● Outward Dimension	Width 160 mm Length 224 mm Height 418 mm
● RPM	43 RPM	● Rated Operating Hour	Less than 30 minutes

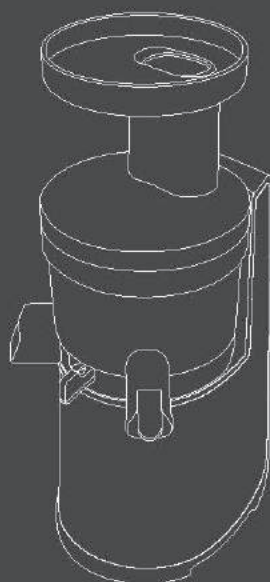
HUROM

hurom.com

Copyright© 2014 All Rights Reserved by HUROM

HUROM

HG Elite
Manuel d'instruction



13

Mesures de sécurité
importantes

14

Comment assembler

16

Pièces et accessoires

17

Conseils sur l'extraction
de jus

18

Comment utiliser

19

Utilisation du levier à
pulpe automatique

20

Lorsque la vis verticale
s'arrête pendant le
fonctionnement

21

Guide de dépannage

22

Spécifications sur la
garantie / le produit

Réservé à un usage domestique

- 1 Lisez attentivement les instructions avant l'utilisation.
- 2 Conservez ces instructions dans un endroit où elles seront facilement accessibles.
- 3 Utilisez uniquement avec une alimentation de 120V en courant alternatif.
- 4 La conception et le développement de produits peuvent être mis à jour sans préavis.
- 5 Toute amélioration en matière de qualité peut être effectuée en tout temps, et ce, sans préavis.

MESURES DE SÉCURITÉ IMPORTANTES

Pour éviter de vous blesser ou d'endommager l'appareil, tous les utilisateurs de cet appareil doivent lire et veiller à bien comprendre des consignes de sécurité avant d'utiliser ce produit.



Avertissement Dangers ou des pratiques dangereuses pouvant entraîner des dommages matériels, des blessures graves voire la mort.

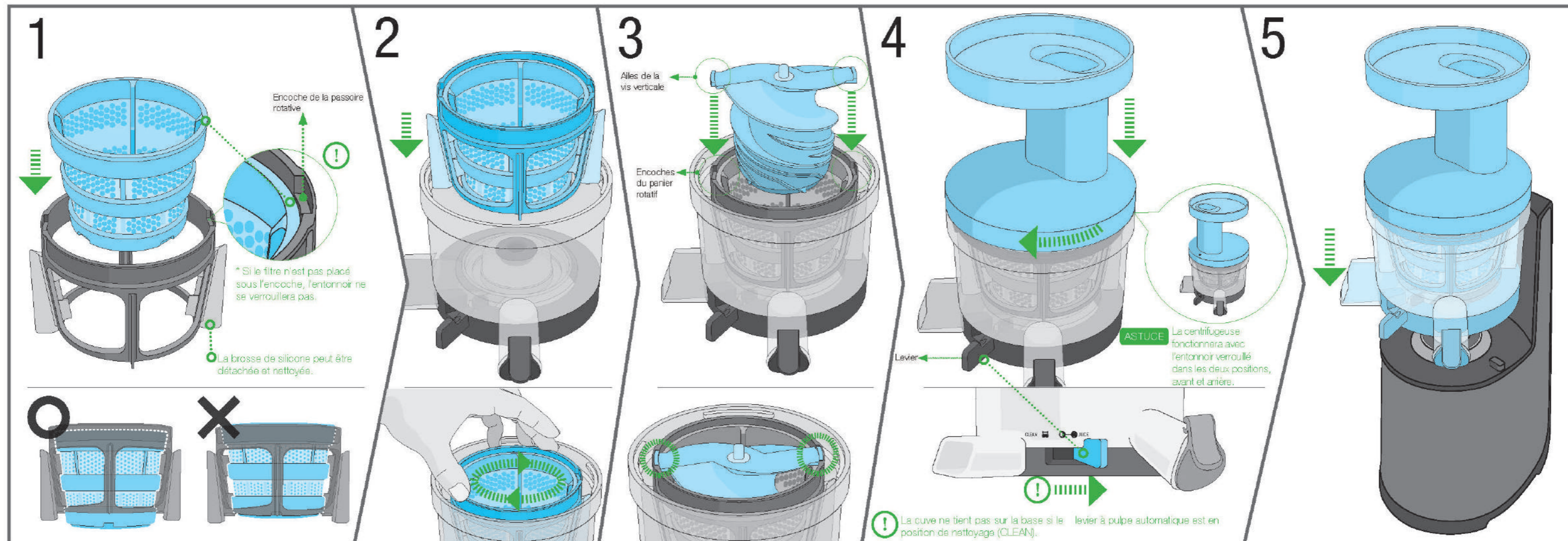
- Lorsque vous utilisez des appareils électriques, des précautions de sécurité de base doivent toujours être suivies. Lisez toutes les instructions.
- Pour éviter tout risque électrocution, n'immergez pas le corps principal (moteur) dans de l'eau ou tout autre liquide.
- Une supervision étroite est nécessaire lorsque l'appareil est utilisé à proximité d'enfants.
- Débranchez l'appareil lorsqu'il n'est pas utilisé, avant d'installer ou de retirer des pièces et avant de le nettoyer.
- Évitez de toucher aux pièces mobiles.
- Ne faites pas fonctionner un appareil si le cordon ou la fiche est endommagé, s'il ne fonctionne pas correctement ou s'il est tombé ou s'il est endommagé de quelque façon que ce soit. Retournez l'appareil à un atelier de service autorisé s'il doit être inspecté, réparé ou ajusté.
- L'utilisation d'accessoires non recommandés ou vendus par le fabricant peut présenter un risque d'incendie, de décharge électrique ou de blessures.
- Ne laissez pas pendre le cordon de la table ou du comptoir.
- Assurez-vous toujours que l'entonnoir est solidement fixé en place avant de mettre le moteur en marche. Ne détachez pas l'entonnoir pendant que la centrifugeuse est en marche.
- Assurez-vous de mettre l'interrupteur en position arrêt après chaque utilisation de votre centrifugeuse. Assurez-vous que le moteur s'arrête complètement avant de le démonter.
- Ne mettez pas vos doigts ou des objets dans la centrifugeuse alors qu'elle est en marche. Si de la nourriture est restée coincée dans l'ouverture, utilisez le poussoir ou un autre morceau de fruit ou de légume pour l'enfoncer. Lorsque cette méthode est impossible, arrêtez le moteur et démontez la centrifugeuse pour enlever la nourriture restante.
- N'utilisez pas à l'extérieur.
- Ne placez pas sur un brûleur, électrique ou à gaz, ou dans un four chauffé ou à proximité de ceux-ci.
- N'utilisez cet appareil que pour l'usage prévu.

CONSERVEZ CES INSTRUCTIONS



Mise en garde Dangers ou pratiques dangereuses pouvant entraîner des blessures mineures ou endommager l'appareil.

- Ne faites pas fonctionner sans bloquer correctement l'entonnoir.
- N'essayez pas d'extraire le jus de matériaux durs, comme de grosses graines (celles qui ne peuvent pas être mâchées ou avalées), des noyaux ou de la glace.
- Ne tentez pas de déplacer la base en cours de fonctionnement.
- Ne placez aucunes des pièces dans le lave-vaisselle ou et n'utilisez pas de produits abrasifs pour le nettoyer. L'exposition à la chaleur ou des abrasifs peut causer des dommages.
- Si la nourriture se coince dans le tube d'alimentation, n'utilisez rien d'autre que le poussoir qui est inclus.
- N'utilisez pas pendant plus de 30 minutes en continu (pour usage domestique).
- Si l'appareil dégage une odeur désagréable ou de la fumée ou qu'il surchauffe, arrêtez immédiatement de l'utiliser et communiquez avec le service à la clientèle.
- * Lors de l'utilisation d'un nouvel appareil, il peut se dégager une odeur qui disparaîtra naturellement avec le temps.
- N'utilisez pas de fruits conservés dans le sucre, de miel, d'alcool, etc., comme l'entonnoir pourrait pas s'ouvrir facilement.
- Débranchez toujours l'appareil après utilisation.



Placez la crépine sur le panier rotatif. Enfoncez la crépine à l'intérieur du panier jusqu'à ce que le bord supérieur du panier se retrouve sous les encoches de la partie supérieure du panier rotatif.

Si la crépine n'est pas entièrement intégrée dans le panier rotatif la cuve ne s'ajustera pas correctement.

Déposez la crépine et le panier rotatif dans la cuve, et tournez doucement vers la gauche et à droite sans enfoncer jusqu'à ce qu'ils s'installent bien à la place. Ne pas appuyer sur l'ensemble pendant la rotation.

Installez la vis verticale comme sur la photo.

Placez la vis verticale au centre de cuve et enfoncez-les jusqu'à ce que les ailes soient entièrement entrées dans les encoches de la partie supérieure du panier rotatif.

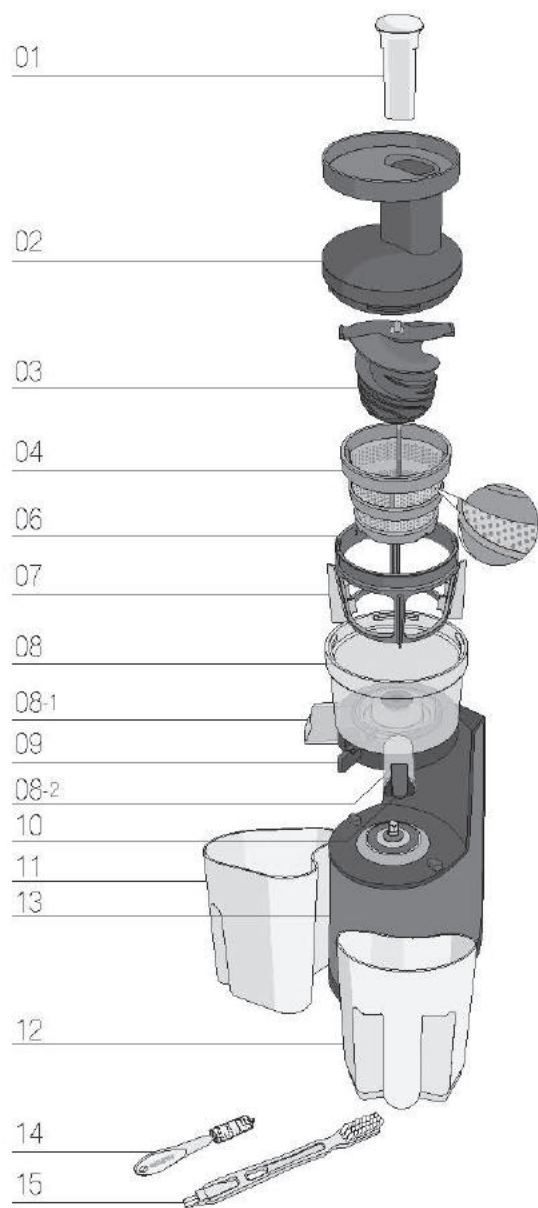
Placez l'entonnoir bien en place tournez l'entonnoir dans le sens jusqu'à ce qu'il s'enclenche et davantage. Placez le levier de la cuve ● JUICE en position

! Placez le levier de pulpe automatique position d'extraction de jus.

sur la cuve assemblée et des aiguilles d'une montre ne puisse pas tourner pulpe automatique d'extraction de jus.

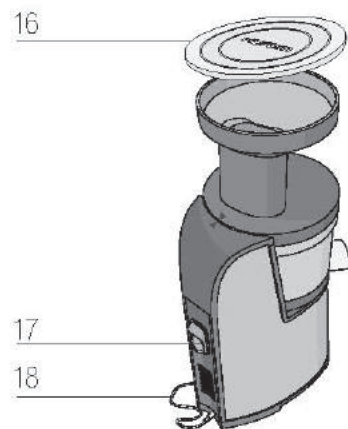
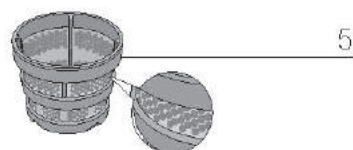
de la cuve ● JUICE en position d'extraction de jus.

Placez l'ensemble de cuve assemblée sur la base du moteur. La cuve doit être bien assise sur la base pour fonctionner.



Termes relatifs aux pièces

- | | |
|-------------------------------|--------------------------------------|
| 1 Poussoir | 10 Bouchon à jus |
| 2 Entonnoir | 11 Récipient à pulpe |
| 3 Vis verticale | 12 Contenant à jus |
| 4 Crépine fine | 13 Base |
| 5 Crépine grossière | 14 Petite brosse de nettoyage |
| 6 Panier rotatif | 15 Brosse de nettoyage |
| 7 Panier de silicone | 16 Couverture de l'entonnoir |
| 8 Cuve | 17 Commutateur de fonctionnement |
| 8-1 Sortie de la pulpe | 18 Cordon d'alimentation |
| 8-2 Sortie du jus | 19 Accessoire de la passoire à pulpe |
| 9 Levier de pulpe automatique | |



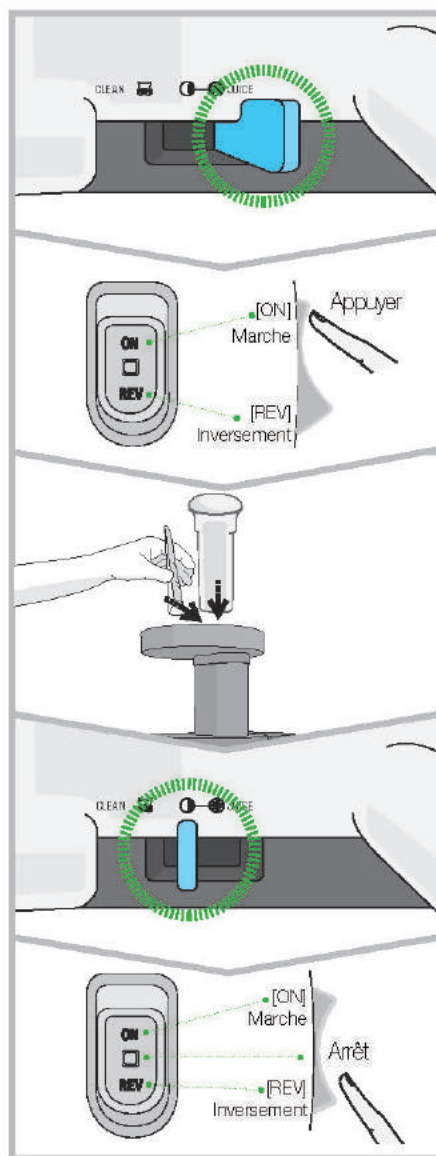
Comment couper les ingrédients

- Pomme, kiwi** Le kiwi peut être mis dans la centrifugeuse sans enlever ses graines et sa pelure. La pomme peut être mise dans la centrifugeuse avec la peau, mais en enlevant les pépins. Les pépins de pomme contiennent des éléments toxiques.
- Grenade, raisin** Séparez la grappe de raisins. Retirez la peau de la grenade et placez uniquement les graines dans la centrifugeuse.
- Pastèque, orange, pamplemousse** Enlevez la peau de la pastèque et pelez les agrumes. Coupez-les en morceaux pour qu'ils conviennent à l'ouverture de l'entonnoir.
- Mangue, cerise, pêche** Retirez les noyaux des mangues, cerises, pêches ou fruits à gros noyau. Les noyaux peuvent causer des dommages ou des arrêts et doivent être retirés avant d'extraire le jus.
- Herbe de blé, ciboulette** Maintenez l'herbe de blé ou la ciboulette en bouquet et déposez-les dans la centrifugeuse.
- Fenouil d'eau, angélique, céleri, chou frisé** Coupez les aliments fibreux en morceau de 2,5 cm (1 po) ou moins.

* Cette référence est pour couper les ingrédients, veuillez garder à l'esprit vos intolérances ou allergies alimentaires lorsque vous choisissez vos ingrédients.
 * Veuillez vous référer au livre de recettes pour connaître l'utilisation de chaque produit ingrédient.

Laquelle est la meilleure, la crépine fine ou la grossière?

- Crépine fine**
 La crépine fine comporte de petits trous pour faire des jus plus clairs.
- Crépine grossière**
 La crépine grossière comporte des trous plus grands pour des jus plus épais et plus pulpeux.
- Elle est également parfaite pour les fruits mous et épais comme la banane et la fraise, les frappés aux fruits ou les soupes.



- 1 Placez le levier à pulpe automatique **JUICE** en position d'extraction de jus avant l'utilisation.
- 2 Appuyez sur le bouton de marche [ON] pour commencer.
 - [ON] Marche
 - [REV] Inversement
- 3 Déposez progressivement les ingrédients dans l'entonnoir, en les alternant dans la mesure du possible et en utilisant le poussoir seulement si des articles sont coincés dans la goulotte de l'entonnoir.

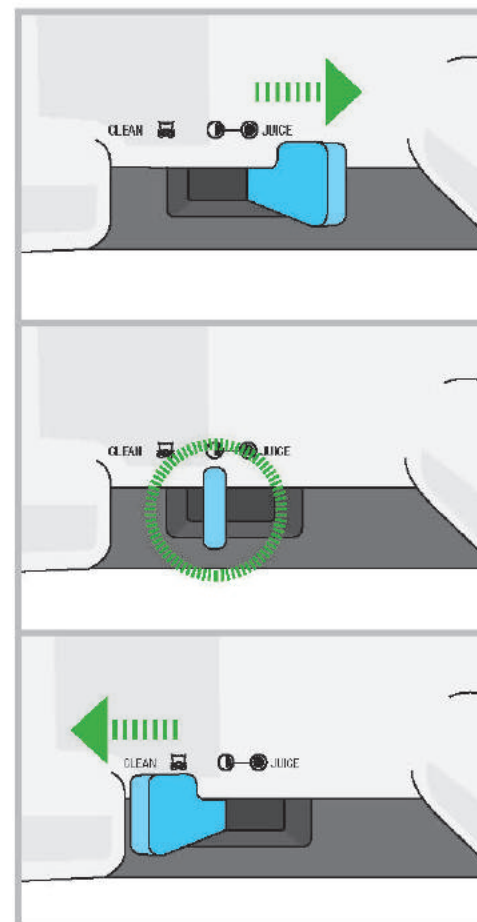
*NOTE : Ne forcez pas l'alimentation.
- 4 Placez le levier de pulpe automatique en position semi-fermée **1** avant de mettre les derniers ingrédients.

Cela permettra à la pulpe comprimée à l'intérieur de la cuve de mieux se libérer pour faciliter le démontage et le nettoyage.
- 5 Une fois l'extraction terminée et que la pulpe n'est plus éjectée, arrêtez l'appareil.

⚠ En passant des positions de marche [ON] et de recul [REV], assurez-vous que la vis verticale s'arrête complètement entre les directions.

Comment utiliser le levier à pulpe automatique

Vous pouvez facilement ouvrir et fermer l'emballage du système d'extraction de pulpe automatique.



Assemblage et extraction **JUICE**

Pour la plupart des ingrédients, le taux d'extraction est meilleur alors que le levier de pulpe automatique **JUICE** est placé en position d'extraction de jus. Placez toujours le levier dans cette position lorsque vous commencez à extraire le jus.

Pour les fruits ayant des noyaux ou des pépins durs, comme le raisin et la grenade, basculer le levier à pulpe automatique **1** en position semi-fermée lorsque le jus commence à sortir.

Achèvement et autonettoyage avancé **1**

Placez le levier de pulpe automatique **1** en position semi-fermée pour libérer la pulpe comprimée après l'ajout dans les derniers ingrédients. Cela permet de faciliter le démontage et le nettoyage.

Pour l'achèvement et autonettoyage avancé, placez le levier de pulpe automatique en position semi-fermée **1** et fermez le bouchon à jus. Remplissez la cuve d'eau et laissez la centrifugeuse fonctionner pendant une minute, puis ouvrez le bouchon à jus pour faire sortir l'eau et les résidus avant d'arrêter la centrifugeuse.

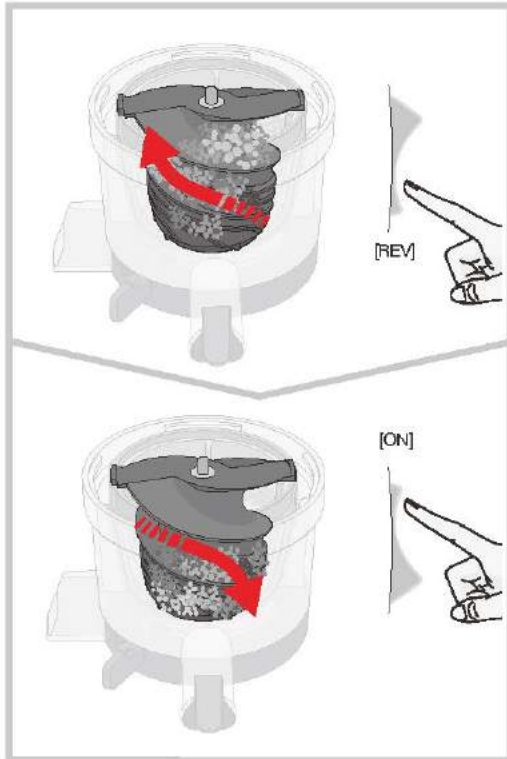
Nettoyage **CLEAN**

Pour le nettoyage à l'évier, mettez le levier de pulpe automatique en position de nettoyage (**CLEAN**) pour un accès facile à la sortie de la pulpe.

Vous pouvez alors facilement et rapidement nettoyer la cuve.

- !** Quand il est difficile d'ouvrir l'entonnoir après l'extraction de jus :
- Mettez le levier de pulpe automatique **1** en position semi-fermée et appuyez sur la touche d'inversement [REV] pendant 3 à 4 secondes pour relâcher la pression de la cuve. L'entonnoir s'ouvre alors facilement. Répétez, le cas échéant.

Lorsque la vis verticale s'arrête en cours de fonctionnement



1 Appuyez sur la touche d'inversement [REV] pendant 3 à 4 secondes pour relâcher la pression de la cuve. Répétez, le cas échéant.

▶ En rotation inversée, l'extracteur repoussera les ingrédients vers le haut.

La rotation inversée fonctionne uniquement en maintenant l'interrupteur d'inversement [REV] enfoncé, et s'arrête lorsque l'interrupteur est relâché.

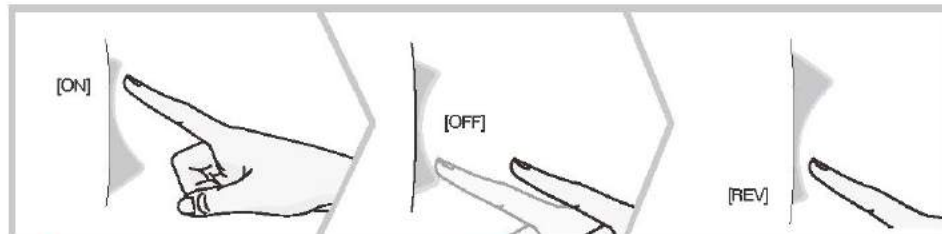
2 Lorsque la rotation inversée de la vis verticale s'arrête complètement, appuyez sur le bouton de mise en marche [ON] pour continuer à extraire le jus.

▶ Avant d'inverser les directions, assurez-vous que la vis verticale s'arrête complètement.

Note

Si la vis verticale ne tourne toujours pas après avoir suivi les indications ci-dessus, démontez l'ensemble de la cuve, nettoyez les pièces et essayez à nouveau.

Faites preuve de prudence en utilisant la touche de fonctionnement



! Lorsque vous arrêtez la centrifugeuse [OFF], la vis verticale ne s'arrête pas immédiatement. Ne faites pas passer la centrifugeuse en sens inverse avant que le mouvement de la vis verticale se soit complètement arrêté. Une fois la rotation complètement arrêtée, vous pouvez la remettre en marche la direction de votre choix.

DÉPANNAGE

PROBLÈME	RAISONS POSSIBLES	SOLUTION
La centrifugeuse ne démarre/ne fonctionne pas.	Aucune alimentation. La cuve n'est pas correctement alignée sur la base (comme dispositif de sécurité, la centrifugeuse ne fonctionnera pas si les pièces ne sont pas assemblées correctement).	Assurez-vous que le cordon d'alimentation est branché. Vérifiez que l'entonnoir est assemblé correctement sur la base.
Le bol est collé sur la base.	Trop d'aliment dans la cuve ou d'une substance inconnue dans le bol.	Appuyez sur le bouton de marche arrière de 3 à 5 secondes. Répétez le processus 2 à 3 fois. Puis poussez doucement la cuve vers le haut.
L'entonnoir/le couvercle est bloqué.	Trop d'aliment dans la cuve ou d'une substance inconnue dans le bol.	Appuyez sur le bouton de marche arrière de 3 à 5 secondes. Répétez le processus 2 à 3 fois. Appuyez ensuite sur le dessus du couvercle en tournant. Ne forcez pas l'entonnoir pour ouvrir. Si ne s'ouvre pas, communiquez avec le service à la clientèle.
La centrifugeuse ou le moteur s'est arrêté pendant le fonctionnement normal.	Trop d'aliments dans la cuve. Dispositif de sécurité : arrêté automatique en cas de surchauffe.	Appuyez sur le bouton de marche arrière de 3 à 5 secondes. Répétez le processus 2 à 3 fois. Si le moteur s'est arrêté, laissez l'appareil refroidir (environ 5 minutes) avant d'essayer de nouveau.
Il y a un bruit de grincement lors de l'extraction du jus.	Frottement entre la vis de serrage et la cuve ou la nourriture.	Un grincement est parfaitement normal. Ne faites pas fonctionner la centrifugeuse sans entrer d'aliment.
L'unité vibre lors de l'utilisation.	C'est un signe que le moteur fonctionne correctement.	La vibration est tout à fait normale, mais s'il y a de fortes secousses qui provoquent un déséquilibre de l'appareil, vérifiez si la vis verticale est défectueuse.
Il y a une marque d'eau ou une rayure sur la vis de serrage.	Il s'agit de marques de mouleage, créées pendant le processus de fabrication.	Ces marques et lignes sont une partie normale du processus et n'ont aucune incidence sur la performance.
Il y a une tache de couleur sur le bol, la crépine ou le panier rotatif.	Colorant naturel des aliments.	Il est parfaitement normal de voir un colorant naturel provenant de la nourriture au moment de l'extraction du jus. Pour réduire la coloration, rincez et nettoyez après chaque usage. Une dilution de vinaigre ou d'eau de Javel peut également être utilisée.
Il y a de la moisissure sur les pièces en silicone du panier rotatif.	Nettoyage inefficace.	Assurez-vous de bien nettoyer en détachant les pièces en silicone du panier rotatif.
Crépine endommagée.	Glace, grosses graines dures ou pépins, substance inconnue, ou excès de nourriture dans la cuve.	Reportez-vous au manuel d'instruction pour obtenir des conseils d'utilisation et d'extraction de jus. Rappelez-vous de ne pas mettre trop d'aliments ou de les forcer à entrer dans la centrifugeuse.
Déformation des accessoires.	Exposition à la chaleur ou des matériaux abrasifs.	Ne nettoyez pas les accessoires au lave-vaisselle. N'utilisez pas de nettoyants puissants ou des produits de nettoyage métalliques. Les plastiques ont tendance à se déformer lorsqu'ils sont exposés à une chaleur élevée.
Trop de pulpe dans le jus.	Un excès de nourriture dans la cuve bloque la crépine. La nourriture n'est pas coupée en morceaux suffisamment petits.	Coupez les aliments, en particulier les aliments fibreux, en petits morceaux pour éviter que les fibres ne s'enroulent autour de la vis verticale. Entrez également les aliments à un rythme lent, permettant à toute la pulpe d'être éjectée avant d'ajouter plus de nourriture.
Le jus ne coule pas dans le récipient à jus.	Bouchon à jus fermé.	Ouvrez le bouchon à jus et laissez le jus s'écouler dans le récipient à jus.

Garantie

● Nom du produit	● Nom du client	● Nom du modèle
● Fournisseur	● Date d'achat	
● Adresse	● Numéro de série	

Important : Pour mieux protéger votre achat, remplissez ce formulaire et retournez-le au distributeur chez lequel vous avez acheté l'appareil et conservez le reçu original.

GARANTIE

Veuillez garder votre reçu, car il sera nécessaire pour toute réclamation en vertu de cette garantie.

Aux fins de la présente garantie, HUROM accorde au premier acheteur (« acheteur ») une garantie de dix (10) ans sur le moteur de la centrifugeuse à extraction lente Hurom (« produit ») et de deux (2) ans sur les autres pièces, et ce, à compter de la date d'achat lorsqu'elle est utilisée comme spécifié dans la documentation de produit, comme le mode d'emploi et d'autres documents inclus décrivant l'utilisation et le fonctionnement des produits (« documentation »). Cette garantie est valable uniquement pour le produit acheté par l'acheteur et utilisé aux États-Unis et au Canada et ne s'étend pas aux produits qui sont achetés ailleurs qu'en Amérique du Nord.

Au cas peu probable où le produit ne fonctionnerait plus pendant cette période de garantie, et ce, en raison d'un défaut de conception ou de fabrication, Hurom réparera ou remplacera le produit ou la pièce défectueuse.

La présente garantie ne couvre pas les défauts ou les dommages résultant d'une usure normale ou excessive, d'une catastrophe naturelle, de l'abus ou de la négligence dans l'opération ou l'entretien, d'une utilisation commerciale, de la modification des produits, d'une mauvaise réparation des produits, de l'utilisation de pièces ne provenant pas d'Hurom, ou d'une connexion à l'électricité ou à un autre courant ou une tension différente que ce qui est indiqué dans le manuel d'instruction.

Les droits en vertu de cette garantie ne s'étendent pas aux produits dont le numéro de modèle ou le numéro de série a été retiré, remplacé, modifié ou rendu illisible, ou aux produits achetés ailleurs que chez un détaillant autorisé Hurom.

Pour communiquer avec le service à la clientèle si vous avez des difficultés techniques, veuillez communiquer avec notre centre de service à la clientèle local.

AVERTISSEMENT

HUROM OU SES FILIALES, AFFILIÉS, DISTRIBUTEURS ET DÉTAILLANTS AUTORISÉS REJETTENT TOUTE AUTRE GARANTIE, EXPLICITE OU IMPLICITE, Y COMPRIS, SANS EN EXCLURE D'AUTRE, TOUTE GARANTIE IMPLICITE DE QUALITÉ MARCHANDE ET D'ADAPTATION À UN USAGE PARTICULIER, EN CE QUI CONCERNE LES ACCESSOIRES CONNEXES. L'ACHETEUR PEUT AVOIR D'AUTRES DROITS EN FONCTION DE L'ENDROIT OÙ IL HABITE.

EN AUCUN CAS HUROM OU SES FILIALES, AFFILIÉS, DISTRIBUTEURS AUTORISÉS ET REVENDEURS NE PEUVENT ÊTRE TENUS RESPONSABLES DES DOMMAGES (Y COMPRIS, SANS EN EXCLURE D'AUTRE, LES DOMMAGES SPÉCIAUX, ACCESSOIRES, IMMATÉRIELS, OU INDIRECTS DE TYPE LÉSIONS CORPORELLES, OU TOUTE AUTRE PERTE PÉCUNIAIRE) DÉCOULANT DE L'UTILISATION OU DE L'INCAPACITÉ À UTILISER CE PRODUIT. DANS TOUTS LES CAS, LA RESPONSABILITÉ D'HUROM, OU SES FILIALES, AFFILIÉS, DISTRIBUTEURS AGRÉÉS ET DÉTAILLANTS EN VERTU DE CETTE GARANTIE EST LIMITÉE AU MONTANT PAYÉ PAR L'ACHETEUR. COMME CERTAINES JURIDICTIONS NE PERMETTENT PAS L'EXCLUSION OU LA LIMITATION DES RESPONSABILITÉS POUR LES DOMMAGES DIRECTS OU INDIRECTS, LA PRÉSENTE LIMITATION PEUT NE PAS S'APPLIQUER À L'ACHETEUR.

HUROM

Fabricant: **Hurom**
Page d'Hurom : hurom.com

Spécifications de produit

● Nom du produit	HG Elite Slow Juicer	● Longueur du cordon	1,4 m
● Modèle	HG-SBB11	● Moteur	Moteur à induction monophasé
● Tension nominale	120 V	● Fusible	250 V 8 A
● Fréquence nominale	60 Hz	● Poids	6,7 kg (12,4 lb)
● Puissance de consommation	150 W	● Dimension extérieure	Largeur 180 mm Longueur 224 mm Hauteur 418 mm
● Tr/min	43 TR/MIN	● Heure de fonctionnement	Moins de 30 minutes

HUROM

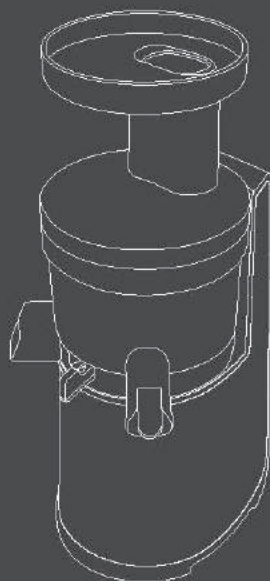
hurom.com

Copyright © 2014 Tous droits réservés par HUROM

HUROM

HG Elite

Manual de instrucciones



25

Precauciones importantes

26

Cómo armar

28

Piezas y accesorios

29

Consejos para exprimir

30

Cómo utilizar

31

Utilización de la palanca
Auto-Pulpa

32

Cuando la barrena se
detiene durante el
funcionamiento

33

Guía para la solución de
problemas

34

Garantía/Especificaciones
del producto

Solo para uso doméstico

- 1 Lea cuidadosamente las instrucciones antes de utilizar el aparato.
- 2 Conserve estas instrucciones a mano.
- 3 Utilice únicamente con fuente de alimentación de 120 V CD.
- 4 El desarrollo del producto y el diseño pueden ser actualizados sin previo aviso.
- 5 Cualquier mejora de la calidad está sujeta a cambios sin previo aviso.

PRECAUCIONES IMPORTANTES

Todos los usuarios de este aparato deberán leer y comprender las precauciones de seguridad antes de su funcionamiento para evitar lesiones personales o daños al artefacto.



Advertencia Peligros o prácticas no seguras que podrían ocasionar daños al aparato, lesiones graves personales o la muerte.

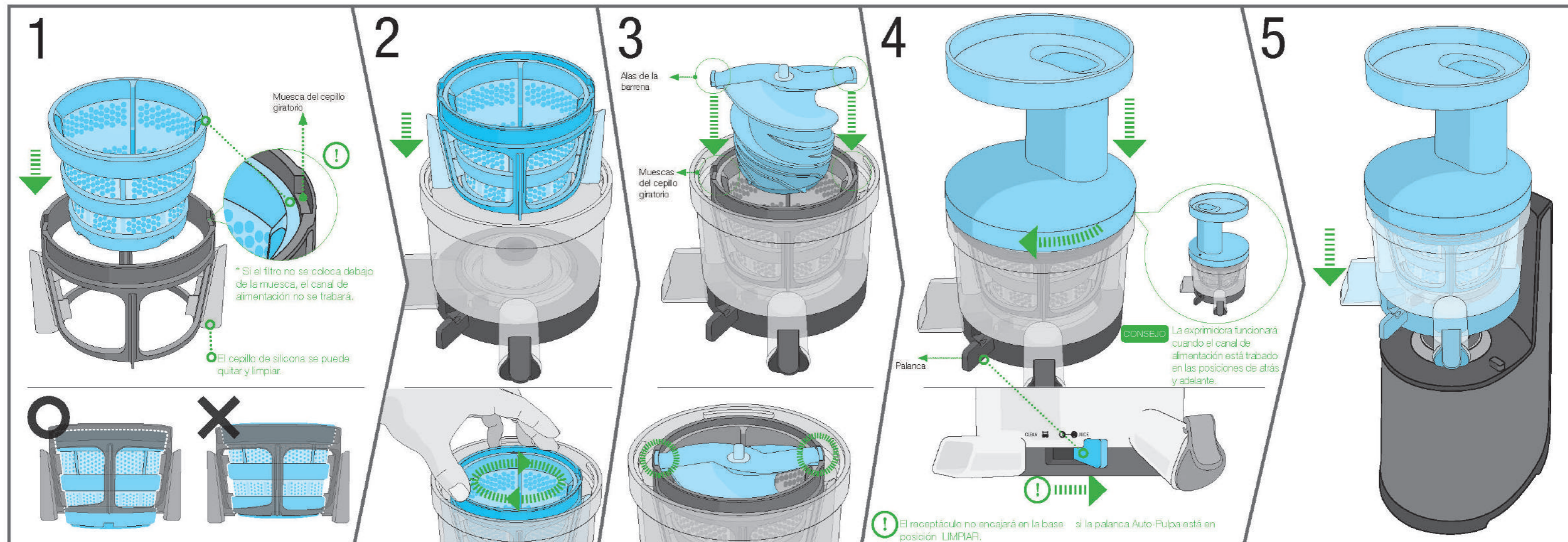
- Al utilizar artefactos eléctricos, siempre se observarán precauciones básicas de seguridad. Lea todas las instrucciones.
- Para protegerse del riesgo de descarga eléctrica, no sumerja el cuerpo principal (motor) en agua o cualquier otro líquido.
- Cuando el aparato se utiliza cerca de niños es necesario supervisar de cerca el funcionamiento de la unidad.
- Desenchufe el aparato cuando no está en uso, antes de armarlo o de sacar piezas del mismo y antes de limpiarlo.
- Evite el contacto con las piezas en movimiento.
- No haga funcionar ningún aparato con el cable o enchufe dañado, luego de una falla del mismo o si la unidad se cae o se daña de cualquier otra manera. Regrese el aparato al centro de servicio autorizado más cercano para su reparación, ajuste eléctrico o mecánico.
- La utilización de accesorios no recomendados o no vendidos por el fabricante puede causar incendio, descarga eléctrica o lesiones corporales.
- No deje el cable colgando de la mesa o el mostrador.
- Asegúrese de que el canal de alimentación esté siempre bien sujeto antes de que arranque el motor. No destrabe el canal de alimentación mientras la exprimidora está funcionando.
- Asegúrese de que el interruptor está en posición "off" (apagado) luego de cada uso de la exprimidora. Asegúrese de que el motor se haya detenido completamente antes de desarmar el aparato.
- No coloque sus dedos u otros objetos dentro de la exprimidora mientras está funcionando. Si se alojan alimentos en la abertura, utilice el empujador de alimentos u otro trozo de fruta o vegetal para empujar hacia abajo. Cuando esto no sea posible, apague el motor y desarme la exprimidora para extraer los restos de alimentos.
- No utilice el aparato al aire libre.
- No coloque el aparato en o cerca de los quemadores eléctricos o de gas ni en contacto con un horno caliente.
- No utilice el aparato para un propósito distinto para el que fue diseñado.

GUARDE ESTAS INSTRUCCIONES



Precaución Prácticas peligrosas o inseguras que podrían ocasionar lesiones personales leves o daños al aparato.

- No haga funcionar el aparato sin trabajar adecuadamente el canal de alimentación.
 - No intente exprimir material duro tal como semillas grandes (aquellas que no se pueden tragar o masticar), carozos o hielo.
 - No intente mover la base mientras el aparato está funcionando.
 - No coloque ninguna de las piezas dentro del lavavajillas ni utilice abrasivos para limpiar. La exposición al calor o a sustancias abrasivas puede causar daños a la unidad.
 - Si los alimentos quedan atrapados en el canal de alimentación, no utilice ningún elemento que no sea el empujador provisto.
 - No haga funcionar el aparato durante más de 30 minutos continuos (solo para uso doméstico).
 - Si el aparato expide un olor desagradable, humo o se recalienta, deje de usarlo inmediatamente y contáctese con el servicio de atención al cliente.
- *Cuando se utiliza un aparato nuevo, es posible que expida cierto olor que desaparecerá naturalmente con el tiempo.
- No introduzca en el aparato frutas conservadas en azúcar, miel, alcohol, etc. ya que será difícil abrir el canal de alimentación.
 - Siempre desenchufe el aparato luego del uso.



Coloque el filtro dentro del cepillo giratorio. Presione el filtro hacia abajo dentro del cepillo giratorio hasta que el borde superior del filtro quede debajo de las muescas en la parte superior del cepillo giratorio.

Si el filtro no encaja completamente en el cepillo giratorio, el receptáculo no encajará bien en ellos.

Baje el filtro y el cepillo giratorio ya armados dentro del receptáculo y gire suavemente a la izquierda y a la derecha sin presionar hasta que se asienten en el lugar. No haga presión sobre el conjunto durante la rotación.

Arme la barrena como se muestra en la imagen.

Coloque la barrena en el centro del receptáculo y empuje hacia abajo hasta que las alas se fijan completamente en las muescas en la parte superior del cepillo giratorio.

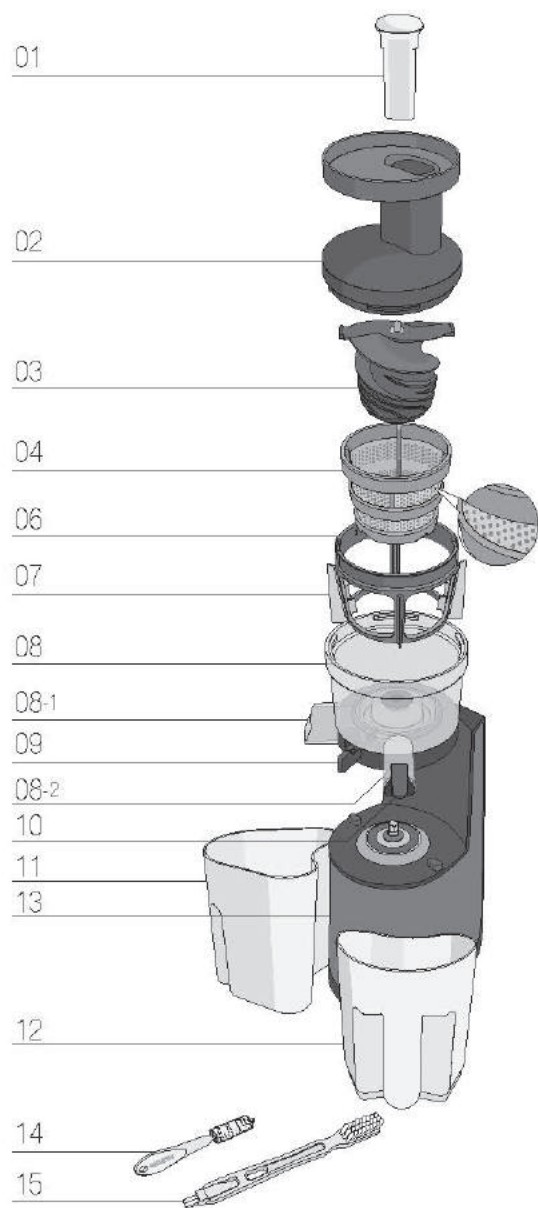
Fije el filtro sobre el receptáculo sentido de las agujas del reloj hasta que haga clic y no gire más. Coloque la palanca Auto-Pulpa en posición **JUICE**.

Coloque la palanca Auto-Pulpa en posición **JUICE**.

armado y hágalo girar en el sentido de las agujas del reloj hasta que haga clic y no gire más. Coloque el receptáculo en la posición **JUICE**.

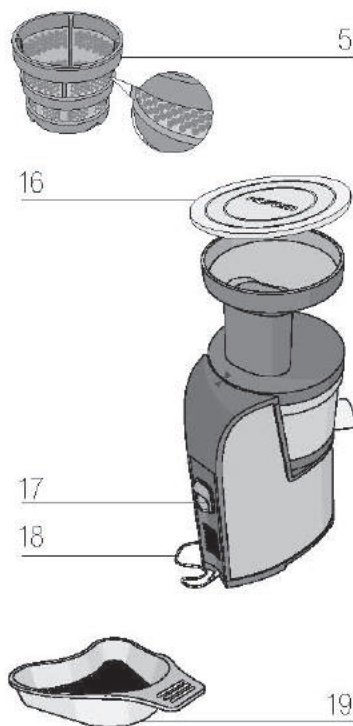
el receptáculo en la posición **JUICE**.

Coloque el receptáculo armado sobre la base del motor. El receptáculo debe asentarse completamente sobre la base para funcionar.



Nombre de las piezas

- | | |
|-------------------------|----------------------------------|
| 1 Empujador | 10 Tapa de exprimidora |
| 2 Canal de alimentación | 11 Recipiente de pulpa |
| 3 Barena | 12 Recipiente de jugo |
| 4 Filtro fino | 13 Base |
| 5 Filtro grueso | 14 Cepillo de limpieza pequeño |
| 6 Cepillo giratorio | 15 Cepillo de limpieza |
| 7 Cepillo de silicona | 16 Tapa de canal de alimentación |
| 8 Receptáculo | 17 Interruptor de funcionamiento |
| 8-1 Salida de la pulpa | 18 Cable de alimentación |
| 8-2 Salida del jugo | 19 Accesorio del filtro de pulpa |
| 9 Palanca Auto-Pulpa | |

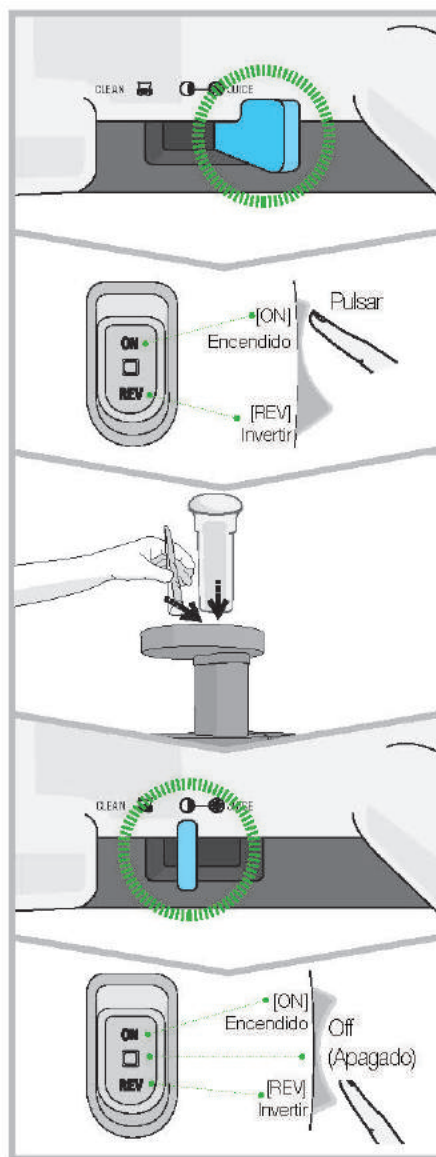


¡Cómo cortar los ingredientes!

- Manzana, kiwi** Los kiwis se pueden exprimir sin retirar las semillas y la cáscara. Las manzanas se pueden exprimir con la cáscara pero sin las semillas. Las semillas de la manzana tienen toxicidad.
- Granada, uvas** Separe las uvas del racimo. Quite la piel de la granada y exprima únicamente las semillas.
- Sandía, naranja, toronja** Retire la cáscara de la sandía y de los cítricos. Corte en trozos que pasen por la abertura del canal de alimentación.
- Mango, cereza, durazno** Retira los carozos de los mangos, las cerezas, los duraznos y de cualquier fruta con carozo grande. Los carozos pueden causar un daño u obstrucción y deben ser retirados antes de exprimir.
- Pasto de trigo, cebollín** Haga un manojo de pasto de trigo y cebollín y viértalo en la exprimidora.
- Perejil de agua, hierba de los ángeles, apio, col rizada** Corte los alimentos fibrosos en trozos de 1 pulgada o menos.
- * Esta referencia es para cortar los ingredientes; tenga en cuenta cualquier intolerancia alimentaria o alergia personal al elegir sus ingredientes.
 * Consulte el libro de recetas para el uso del producto de cada ingrediente.

¿Es mejor el filtro fino o el filtro grueso?

- Filtro fino**
El filtro fino tiene orificios pequeños para que los jugos sean más claros o transparentes.
- Filtro grueso**
El filtro grueso tiene orificios más grandes para jugos espesos y cremosos.
- También es sensacional hacer exprimidos de frutas blandas, jugos espesos como el de banana y frutilla, jugos sin grumos o sopas.



1 Coloque la palanca Auto-Pulpa en la posición **JUICE** antes de poner a funcionar el aparato.

2 Presione el botón [ON] (Encendido) para comenzar.

3 Vierta los ingredientes gradualmente en el canal, alternando los ingredientes cuando sea posible y utilizando el empujador solo si los alimentos obstruyen el conducto del canal.

*NOTA: No alimente la máquina a presión

4 Coloque la palanca Auto-Pulpa en posición **CLEAN** antes de agregar los últimos ingredientes.

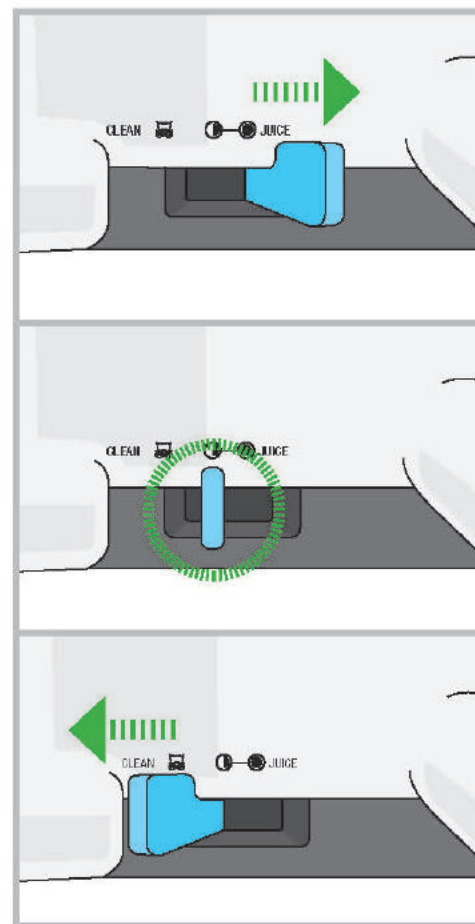
Esto permitirá liberar la pulpa comprimida dentro del receptáculo para facilitar el desarmado y la limpieza de la unidad.

5 Una vez extraída toda la pulpa, apague la máquina.

⚠ Al cambiar de la posición [ON] a la posición [REV], asegúrese de que la barrena pare completamente entre una dirección y otra.

Cómo utilizar la palanca Auto-Pulpa

El envase de extracción del sistema Auto-Pulpa se puede abrir y cerrar fácilmente.



Aimado y extracción **JUICE**

Para la mayoría de los ingredientes, la velocidad de extracción mejora cuando la palanca Auto-Pulpa está en la posición **JUICE**. Cuando comience a extraer jugo siempre coloque la palanca en esta posición.

Para las frutas que tienen semillas duras como las uvas y las granadas, pase la palanca Auto-Pulpa a la posición **CLEAN** semicerrada cuando comienza a salir el jugo.

Finalización y auto-limpieza avanzada **CLEAN**

Coloque la palanca Auto-Pulpa en la posición **CLEAN** semicerrada para aflojar la pulpa comprimida luego de haber agregado los últimos ingredientes para la extracción de jugo. Esto permite un desarmado y una limpieza más fáciles.

Para una auto-limpieza avanzada, coloque la palanca Auto-Pulpa en la posición **CLEAN** semicerrada y cierre la tapa de la exprimidora. Llene el receptáculo con agua y deje funcionar la exprimidora durante 1 minuto, luego abra la tapa para volcar el agua y los residuos antes de apagar la unidad.

Limpieza **CLEAN**

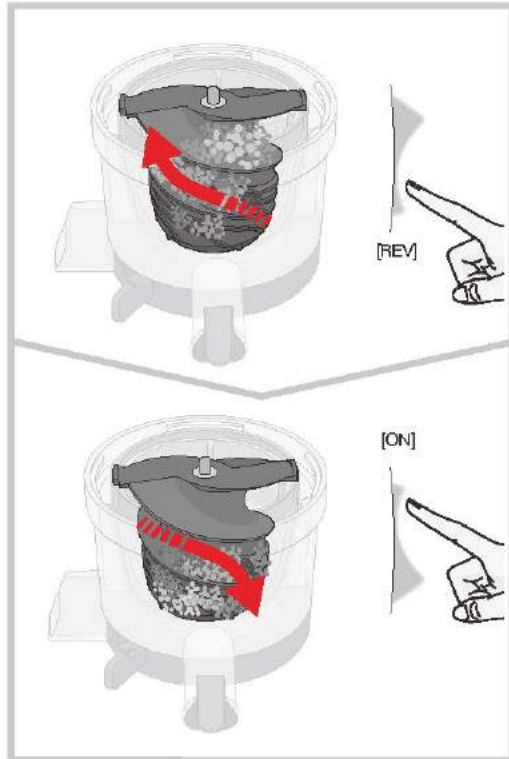
Para realizar la limpieza en el fregadero, mueva la palanca a la posición **CLEAN** para acceder fácilmente a la salida de la pulpa.

Después usted podrá limpiar fácil y convenientemente el receptáculo.

! Cuando sea difícil abrir el canal de alimentación luego de exprimir:

- Coloque la palanca Auto-Pulpa en la posición **CLEAN** semicerrada y pulse el botón [REV] durante 3 o 4 segundos para liberar la presión del receptáculo. Así el canal de alimentación se abrirá fácilmente. Repita si fuera necesario.

Quando la barrena se detiene durante el funcionamiento



1 Pulse [REV] durante 3-4 segundos para liberar la presión del canal de alimentación. Repita si fuera necesario.

▶ Durante la operación de inversión, la exprimidora empujará nuevamente los ingredientes hacia arriba.

La rotación inversa funciona únicamente mientras se conserva el interruptor en la posición [REV], y se detiene al liberarlo.

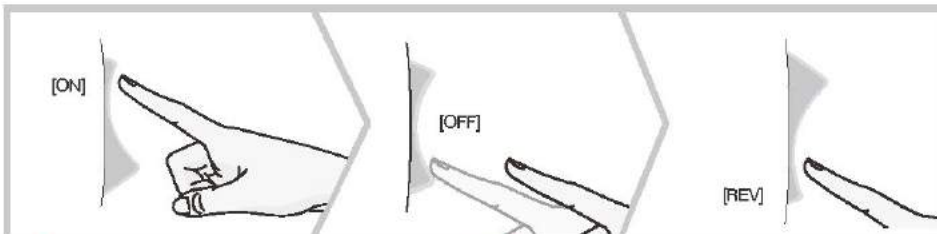
2 Para continuar exprimiendo, pulse [ON] luego de haberse detenido completamente la rotación inversa de la barrena.

▶ Antes de invertir las direcciones, asegúrese de que la barrena se detenga completamente.

Nota

Si la barrena todavía no gira luego de seguir las instrucciones precedentes, desarme el receptáculo, limpie las piezas y vuelva a intentarlo.

Precaución al utilizar el botón de funcionamiento



! Al cambiar la exprimidora a la posición [OFF], la barrena no se detiene inmediatamente. No cambie el modo de la exprimidora para funcionar en dirección opuesta hasta que no se haya detenido completamente el movimiento de la barrena. Una vez detenida completamente la rotación, podrá cambiar el modo para operar en cualquiera de las dos direcciones.

SOLUCIÓN DE PROBLEMAS

PROBLEMA	MOTIVOS POSIBLES	SOLUCIÓN
La exprimidora no arranca o no funciona	No hay potencia. El receptáculo no está alineado adecuadamente en la base (como una característica de seguridad, la exprimidora no funcionará si las piezas no están ensambladas correctamente)	Asegúrese de que el cable de alimentación esté enchufado. Verifique el montaje adecuado del canal sobre la base.
El receptáculo está atascado en la base.	Cantidad excesiva de alimentos en el receptáculo o sustancia desconocida en el recipiente.	Pulse el botón de inversión durante 3-5 segundos. Repita el proceso 2 o 3 veces. Luego empuje suavemente el receptáculo hacia arriba.
El canal de alimentación/la tapa están atascados.	Cantidad excesiva de alimentos en el receptáculo o sustancia desconocida en el recipiente.	Pulse el botón de inversión durante 3-5 segundos. Repita el proceso 2 o 3 veces. Luego presione hacia abajo en la parte superior de la tapa minutos la gita. No trate de abrir el canal de alimentación forzándolo. Si este sigue sin abrirse, póngase en contacto con el centro de atención al cliente.
La exprimidora o el motor se han detenido durante el funcionamiento normal.	Cantidad excesiva de alimentos en el receptáculo. Característica de seguridad: apagado automático por sobrecalentamiento.	Pulse el botón de inversión durante 3-5 segundos. Repita el proceso 2 o 3 veces. Si el motor se ha detenido, deje enfriar la máquina (aproximadamente 5 minutos) antes de volver a intentarlo.
Hay un ruido chirriante al exprimir.	Fricción entre la barrena de exprimido, el receptáculo o los alimentos.	Los ruidos chirriantes son perfectamente normales. No haga funcionar la exprimidora sin introducir alimentos.
La unidad vibra cuando está en uso.	Es una señal de que el motor funciona bien.	La vibración es perfectamente normal, pero si hay un temblor pronunciado que desestabiliza la unidad, hay que hacerla revisar por el caso la barrena estuviera defectuosa.
Hay una mancha de agua o raspadura en la barrena de exprimido.	Son marcas de moldeo originadas durante el proceso de fabricación.	Estas marcas y líneas son una parte normal del proceso y no afectarán el desempeño de la máquina.
Hay una mancha de color en el receptáculo, el filtro o el cepillo giratorio.	Tañido natural proveniente de los alimentos.	El tañido natural proveniente de los alimentos cuando se está exprimiendo es perfectamente normal. Para reducir el tañido, enjuague y limpie inmediatamente luego de cada uso. También se puede utilizar vinagre diluido o un producto blanqueador.
Hay moho en la parte de silicona del cepillo giratorio.	Limpeza insuficiente.	Asegúrese de limpiar bien la unidad separando los cepillos de silicona del cepillo giratorio.
Filtro dañado	Hielo, semillas duras y grandes o cerezos, sustancias desconocidas o exceso de alimento en el receptáculo.	Consulte el manual de instrucciones para el uso adecuado y los consejos para exprimir. Recuerde no abarrotar con alimentos la exprimidora, ni forzarlos dentro de dicha unidad.
Deformación de los accesorios	Exposición al calor o a materiales abrasivos	No lave NINGUN accesorio en el lavavajillas; no utilice productos de limpieza fuertes o estropajos metálicos. Los plásticos tienden a deformarse cuando se los expone a un calor muy elevado.
Salva demasiada pulpa en el jugo.	Exceso de alimentos en el receptáculo que obstruyen el filtro. Alimentos no cortados en piezas suficientemente pequeñas.	Corte los alimentos, especialmente los alimentos con fibras, en pequeños trozos para evitar que las fibras envuelvan la barrena. También introduzca los alimentos lentamente, permitiendo la expulsión de toda la pulpa antes de agregar más alimentos.
El jugo no se está vertiendo en el recipiente de jugo.	La tapa de la exprimidora está cerrada.	Abra la tapa y deje que el jugo fluya en el recipiente para jugo.

Garantía

● Nombre del producto	● Nombre del cliente	● Nombre del modelo
● Proveedor	● Fecha de compra	
● Dirección	● Número de serie del fabricante	

Importante: Para que su compra cuente con una mejor protección, llene y envíe por correo electrónico este formulario al distribuidor local al que le compró el artefacto y guarde el recibo original.

GARANTÍA

Por favor conserve el recibo de compra, ya que se le solicitará en caso de reclamaciones conforme a esta Garantía.

A los fines de esta Garantía, HUROM garantiza el motor de la exprimidora Hurom Slow Juicer (el "Producto") por un plazo de diez (10) años y las otras piezas del Producto por un período de dos (2) años a partir de la fecha de compra solo por el comprador original (el "Comprador") cuando se utiliza según lo especificado en la documentación del producto; por ejemplo, en el manual del usuario y en cualquier otro material que describa el uso y el funcionamiento de los Productos (la "Documentación"). Esta Garantía solo tendrá validez para el producto adquirido y utilizado en los Estados Unidos y Canadá por el Comprador, y no se extenderá a ningún Producto no adquirido en dichos países.

Durante el plazo de esta Garantía, en el caso improbable de que el Producto deje de funcionar debido a una falla de diseño o fabricación, Hurom se compromete a reparar o reemplazar el Producto o la/s pieza/s defectuosas durante el plazo de Garantía.

La presente Garantía no cubre fallas o daños resultantes del uso y desgaste normales o excesivos, circunstancias de fuerza mayor, uso indebido o negligencia en la operación o el cuidado, uso comercial, alteración de los Productos, piezas que no pertenezcan a HUROM, o la conexión al suministro eléctrico u otro voltaje/corriente diferente al que se indica en el manual de instrucciones.

Los derechos emanados de esta Garantía no se extenderán a los Productos en los que se haya quitado, reemplazado o alterado el número de modelo o número de serie, o se encuentren ilegibles, o a Productos no adquiridos a través de un vendedor minorista autorizado de HUROM.

Para asistencia y servicio técnico ante cualquier dificultad, contáctese con nuestro centro de atención al cliente local.

DESCARGO

HUROM, O SUS SUBSIDIARIAS, FILIALES, DISTRIBUIDORES Y VENDEDORES MINORISTAS AUTORIZADOS RECHAZAN CUALQUIER OTRA GARANTÍA, YA SEA EXPRESA O IMPLÍCITA, INCLUIDAS, ENTRE OTRAS, LAS GARANTÍAS IMPLÍCITAS DE COMERCIABILIDAD E IDONEIDAD PARA UN PROPÓSITO ESPECÍFICO, RESPECTO DE CUALQUIER MATERIAL RELACIONADO. EL COMPRADOR PUEDE TENER OTROS DERECHOS SEGÚN SU JURISDICCIÓN.

HUROM, O SUS SUBSIDIARIAS, FILIALES, DISTRIBUIDORES Y MINORISTAS AUTORIZADOS, EN NINGÚN CASO SERÁN RESPONSABLES POR DAÑOS DE CUALQUIER NATURALEZA (INCLUIDOS, ENTE OTROS, LOS DAÑOS ESPECIALES, SECUNDARIOS, CONSECUENTES O INDIRECTOS POR LESIONES, O CUALQUIER OTRA PÉRDIDA PECUNIARIA) QUE PUDIERA SURGIR DEL USO O LA INCAPACIDAD DE USAR ESTE PRODUCTO. EN CUALQUIER CASO, LA ÚNICA RESPONSABILIDAD DE HUROM, O SUS SUBSIDIARIAS, FILIALES Y DISTRIBUIDORES Y MINORISTAS AUTORIZADOS DE CONFORMIDAD CON CUALQUIER DISPOSICIÓN DE ESTA GARANTÍA SE LIMITARÁ AL MONTO REAL QUE PAGÓ EL COMPRADOR POR EL PRODUCTO. DADO QUE ALGUNAS JURISDICCIONES NO PERMITEN LA EXCLUSIÓN O LIMITACIÓN DE RESPONSABILIDAD POR DAÑOS CONSECUENTES O SECUNDARIOS, ES POSIBLE QUE LA LIMITACIÓN ANTERIOR NO SE APLIQUE AL COMPRADOR.

HUROM Fabricante: **HUROM**
Página web de Hurom: hurom.com

Especificaciones del producto

● Nombre del producto	HG Elite Slow Juicer	● Longitud del cable	1.4 m
● Modelo	HG-SBB11	● Motor	Motor de inducción monofásico
● Tensión nominal	120 V	● Fusible	250 V 8 A
● Frecuencia nominal	60 Hz	● Peso	5.7 kg (12.5 lb)
● Consumo de energía nominal	150 W	● Dimensión externa	Ancho 160 mm Longitud 224 mm Altura 418 mm
● RPM	43 RPM	● Tiempo de funcionamiento nominal	Menos de 30 minutos

HUROM

hurom.com