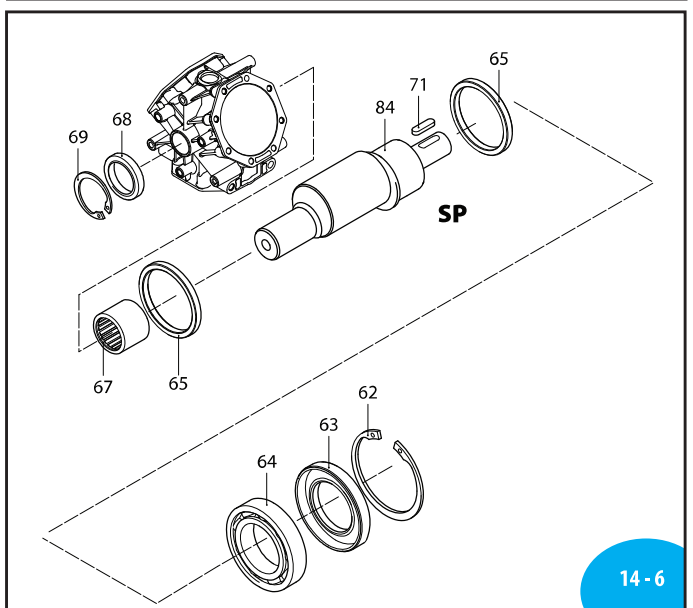
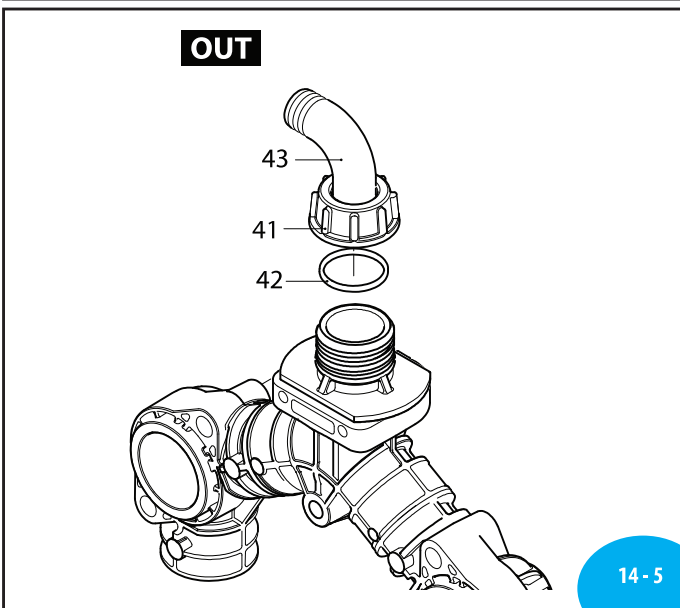
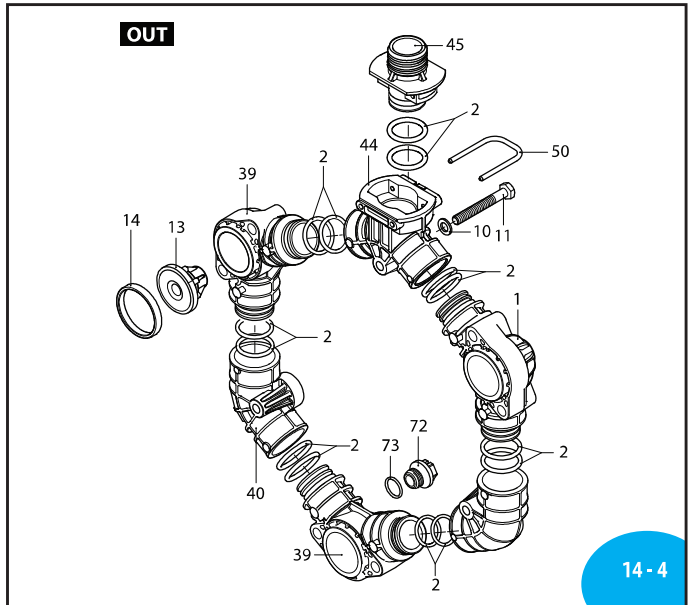
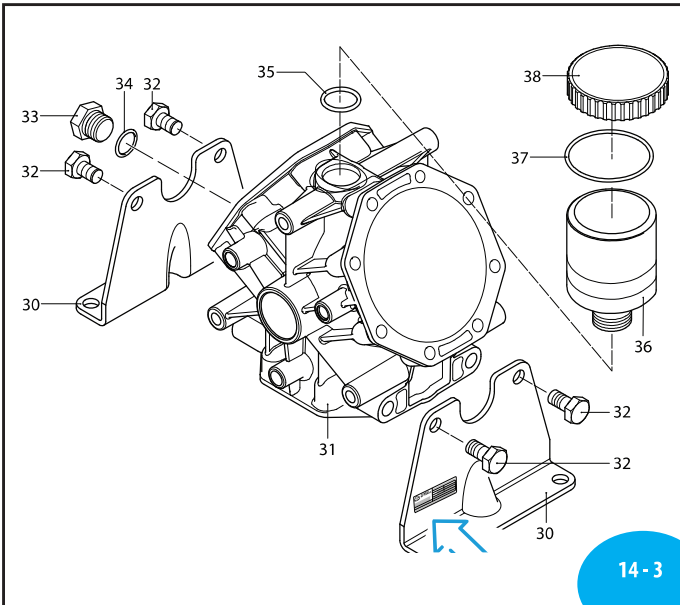
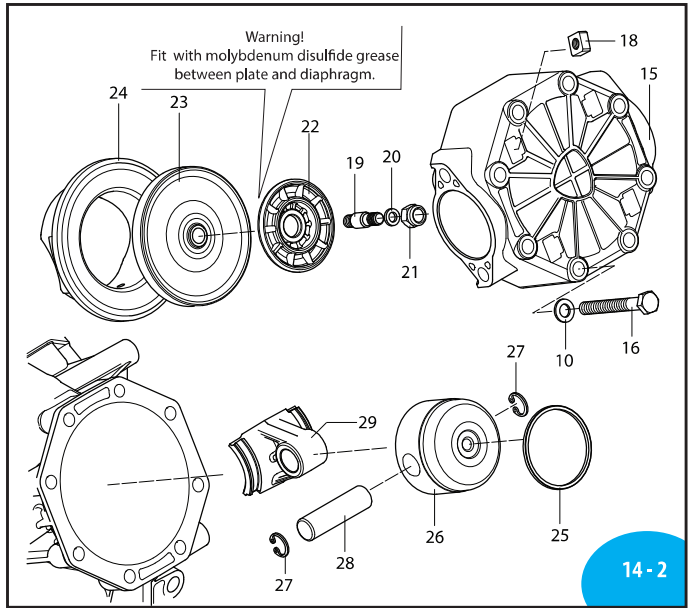
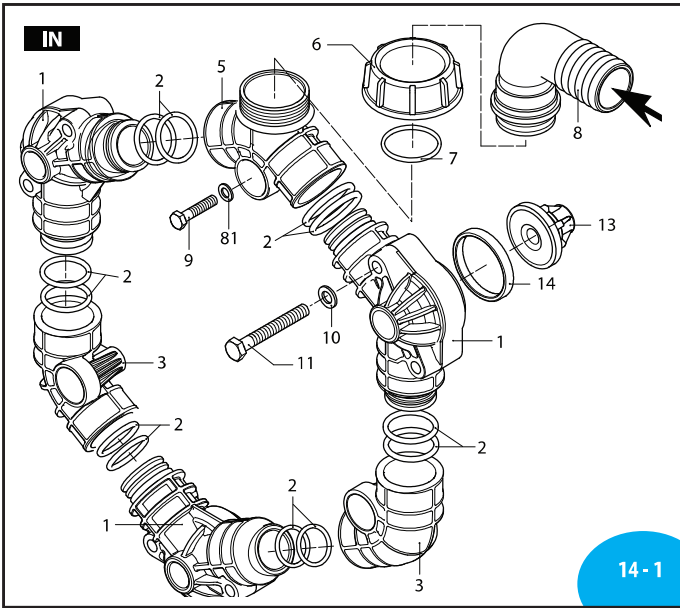


A.R. NORTH AMERICA

AR60LFP-SP / AR80LFP-SP



AR60LFP-SP / AR80LFP-SP

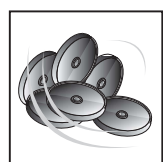
	SP
AR60LFP	33154
AR80LFP	33086

Low pressure

Pos	Code	Description	Qty	Note
1	3240030	Manifold closed vavle	5	
2	390292	O-ring Ø 28.25x2.62	24	Viton
3	3240040	Manifold asp./mandate	4	
5	3240050	Manifold asp. Threaded	1	
6	750670	Ring nut 1-1/2" G	1	
7	180460	O-ring Ø 29x3	1	Viton
8	50267	Elbow Ø 40	1	
9	324280	Bolt TE M8x55	6	SS T106*
10	3120760	Washer	36	SS
11	380211	Bolt TE M8x75	12	SS T88*
13	2429051	Valve AISI 316L	6	
14	3460380	Gasket	6	Viton
15	3240020	Head	3	
16	621771	Bolt TE M8x80	24	SS T124*
18	3120510	Nut M8	12	SS
19	3240101	Hub pin AISI 316L	3	T265*
20	320622	Washer	3	SS
21	2240670	Nut M10 AISI 316L	3	
22	6240110	Retaining washer	3	BlueFlex™
23	1040083	Diaphragm Øe 105	3	
24	3240130	Sleeve	3	
25	650190	Piston ring	3	
26	1040120	Piston Ø 63	3	
27	1040270	Ring Seeger Øi 15	6	
28	1040070	Pin	3	
29	3240120	Connecting-rod	3	
30	3240090	Base	2	
31	3240010	Pump body	1	
32	620342	Bolt TE M10x20	4	SS T265*
33	880530	Plug 3/8" G	1	T177*
34	740290	O-ring Ø 14x1.78	1	
35	720030	O-ring Ø 22.22x2.62	1	
36	3120240	Oil sight glass	1	T177*
37	650920	O-ring Ø 53.65x2.62	1	
38	1040324	Plug red	1	
39	3240031	Manifold	1	
41	3120440	Ring nut 1" G	1	
42	1140451	O-ring Ø 20.24x2.62	1	Viton
43	3120460	Elbow Ø 25	1	
44	3240080	Manifold per controller	1	
45	3240460	Threaded adapter	1	
50	3460210	Fork	1	
62	961790	Ring Seeger Øi 68	1	
63	3120160	Ring Seal	1	
64	961780	Bearing	1	
65	3240320	Ring	2	
67	3460110	Bearing	1	
68	1300230	Ring Seal	1	
69	480900	Ring seeger Øi 35	1	
71	2280950	Key	1	(d)
72	3120690	Plug 3/8" G	1	C2
73	2840891	O-ring Ø 14x2	1	Viton
74	621782	Bolt TE M8x40	6	SS T177*
81	390315	Washer	6	SS

Pos	Code	Description	Qty	Note
84	3240190	Shaft SP marcate EB	1	AR80
84	3240180	Shaft		AR60
85	3240460	Adaptor 1" G	1	
86	550351	O-ring Ø 23.81x2.62	2	Viton

(a) Bolt with Loctite 242 thread lock STRONG.
 (d) Supplied in kit applications.
 * Torque: in-lbs +/- 10%



AR 43247
BlueFlex diaphragms

AR 43244
NBR diaphragms

AR 43246
Viton diaphragms

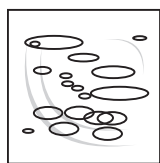
AR 43245
Desmopan diaphragms

Pos.	Qty
14	6
23	3
45	2
47	1



AR 42805
Valves - AR80bp
AR 43138
Valves - AR80LFP

Pos.	Qty
13	6
14	6



AR 42857 - AR 80 bp
AR 43128 - AR 80 LFP
O-Rings

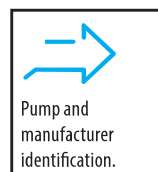
Pos.	Qty	Pos.	Qty
2	24	45	2
7	1	52	1
34	1	57	1
35	1	58	1
37	1	73	1
42	1		



Suggested oil

Type	Oz
AR64532D	32

Crankcase Oil
Capacity 13 oz



Pump and
manufacturer
identification.