

MR8



DESCRIPTION

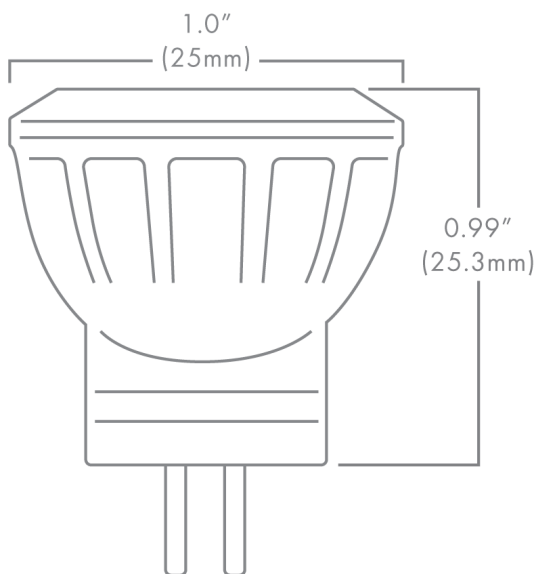
The Brilliance MR8 Bi-Pin is designed to fit in standard low voltage MR8 fixtures and offers a long lamp life. These LEDs are thermally engineered to operate in enclosed fixtures and provide added security by automatically cooling down and reducing lumen output when exposed to extreme heat, such as air temperatures above 125°F. There is no color shift when lumen output is reduced. Dimmable with Brilliance Dimmer and most magnetic transformers. Suitable for damp locations and for use in totally enclosed luminaires. Not for underwater use.

MR8 FEATURES

- Earth tone colored housing
- Enhanced ESD (Electro-Static Discharge) protection (IEC-61000-4-2)
- Heat overload protection technology
- Fully potted PC board
- UL Certified E360351

MR8 SPECS

Wattage	1.5W
Volt Amps	2.50
Lumens	2700K 90
	3000K 139
Beam Spread	15°, 30°, 60°, 120°
Kelvin Temperature	2700, 3000
Color	Amber (30° only)
Operating Range	8-25 VAC/DC
Replaces	10W Halogen
CRI	85
IP	61
Lamp Life (hours)	50,000
Warranty (years)	5



Part Number: **MR8-XXXX-XXX**

Kelvin | Beam spread

