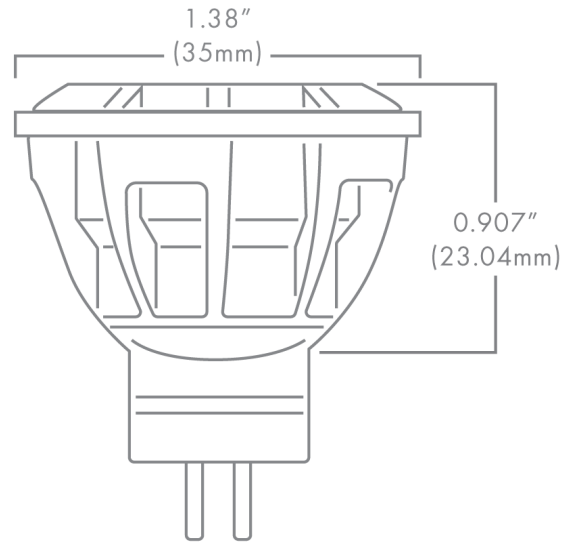


MR11



DESCRIPTION

The Brilliance MR11 Bi-Pin is designed to fit into standard low voltage MR11 fixtures and offers a long lamp life. These LEDs are thermally engineered to operate in enclosed fixtures and provide added security by automatically cooling down and reducing lumen output when exposed to extreme heat, such as air temperatures above 125°F. There is no color shift when lumen output is reduced. Dimmable with Brilliance Dimmer and most magnetic transformers. Suitable for damp locations and for use in totally enclosed luminaires. Not for underwater use.



MR11 FEATURES

- Earth tone colored housing
- Enhanced ESD (Electro-Static Discharge) protection (IEC-61000-4-2)
- Heat overload protection technology
- Fully potted PC board
- UL Certified E360351

Part Number: **MR11-2-XXXX-XXX**

Kelvin
 Beam spread

MR11 SPECS

Wattage	2W						
Volt Amps	3.33						
Lumens	<table border="0"> <tr> <td style="padding-right: 10px;">2700K</td> <td>120</td> </tr> <tr> <td>3000K</td> <td>166</td> </tr> <tr> <td>5700K</td> <td>197</td> </tr> </table>	2700K	120	3000K	166	5700K	197
2700K	120						
3000K	166						
5700K	197						
Beam Spread †	15°, 30°, 60°, 120°						
Kelvin Temperature	2700, 3000, 5700						
Color	Amber (30° only)						
Operating Range	8-25 VAC/DC						
Replaces	20W Halogen						
CRI	85						
IP	61						
Lamp Life (hours)	50,000						
Warranty (years)	5						



† Select Beam Spreads Available in Stock. Call 800-867-2108 for availability.