

Type:

Model:

MR16 6 W LED Lamps

SPECIFICATIONS

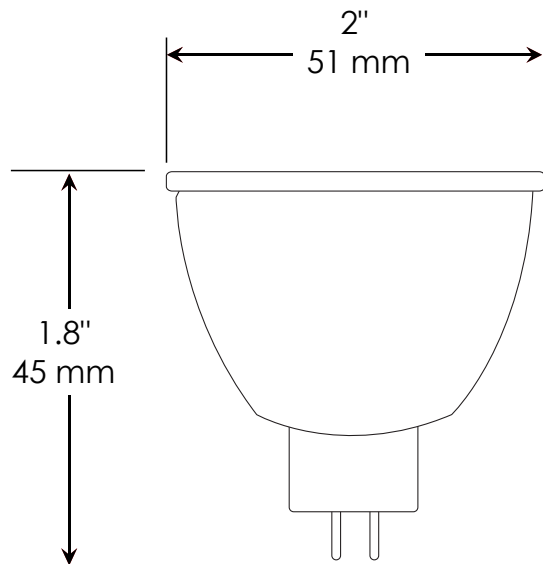
BASE: GU5.3 bi-pin base

VOLTAGE: 12V AC/DC

WATTAGE: 6W

CRI: 80+ or 85+

WARRANTY: Five years



The 12-volt MR16 6-watt LED lamp is fully dimmable and utilizes Lumiled chip technology. Warrantied for 5 years, it will last in most applications for more than 50,000 hours. UL-approved for damp locations and enclosed fixtures.

MODEL	BEAM SPREAD	COLOR TEMP.	CBCP	LUMENS	EFFICACY	CRI
486791 LED-MR16-6P-27K-25°	25°	2700K	1340	380	63 lm/W	85+
486854 LED-MR16-6P-WW-25°	25°	3000K	1385	400	67 lm/W	80+
486792 LED-MR16-6P-27K-40°	40°	2700K	1000	380	63 lm/W	85+
486857 LED-MR16-6P-WW-40°	40°	3000K	1025	400	67 lm/W	80+
486793 LED-MR16-6P-27K-60°	60°	2700K	550	380	63 lm/W	85+
486860 LED-MR16-6P-WW-60°	60°	3000K	560	400	67 lm/W	80+