



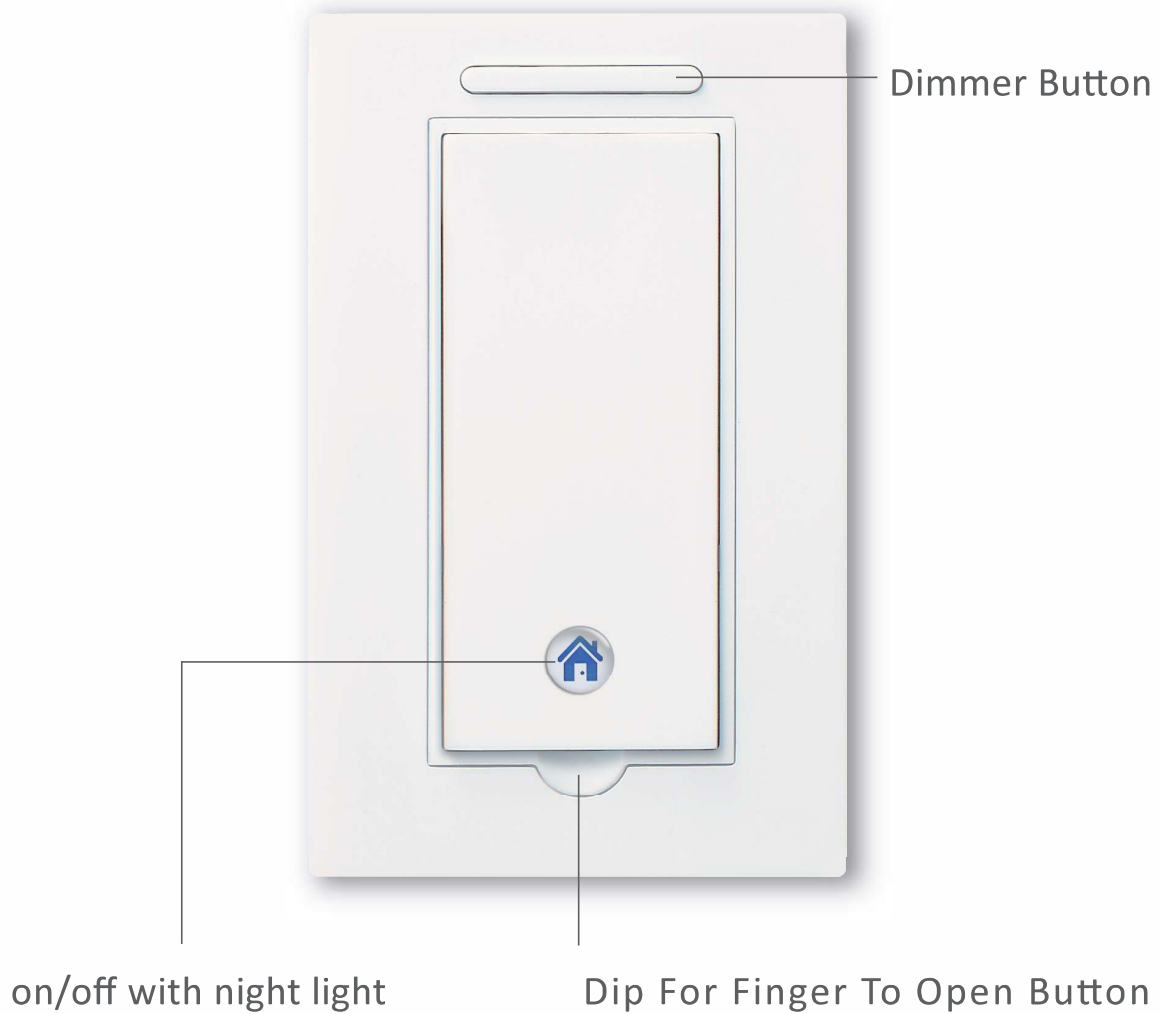
gecko switch

Base Switch

Quick Start Guide



Using Your Switch



Download our APP for FREE



 gecko switch

Use your smartphone to turn on/off or adjust brightness using the dimmer, if applicable, of your light.”

Warranty

If, within one year from date of purchase, this product should become defective (except battery and glue), due to faulty workmanship or materials, it will be repaired or replaced, without charge. Proof of purchase and a Return Authorization are required.

Specifications

Rated: 100-240 VAC, 50/60Hz

Max Load: 300 watts

Operating ambient temperature: 32° to 95° F (0° to 35° C)

Relative humidity: 5% to 95% noncondensing

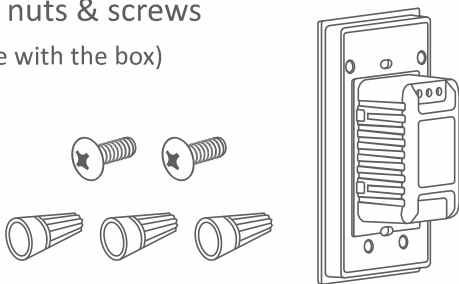
Base Switch Installation



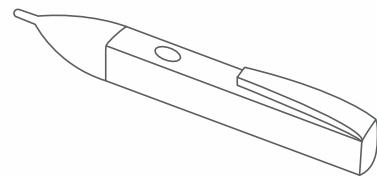
Warning

Installing the Base Switch is an electrical shock hazard and may result in serious injury or death. If you are unfamiliar or uncomfortable with electrical work, please call a qualified electrician for installation. The Base Switch is designed to function as a standard light switch. It is also compatible with dimmable lights and can act as a dimmer. It is not compatible with 3 way switches.

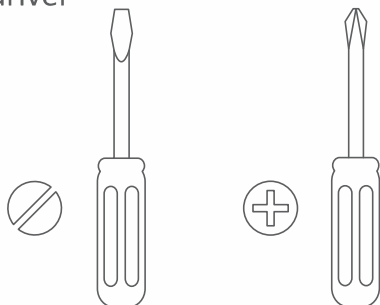
- Base switch, wire nuts & screws (come with the box)



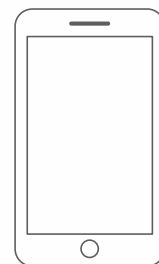
- Voltage detector



- Screwdriver



- Smartphone (optional for taking photos)

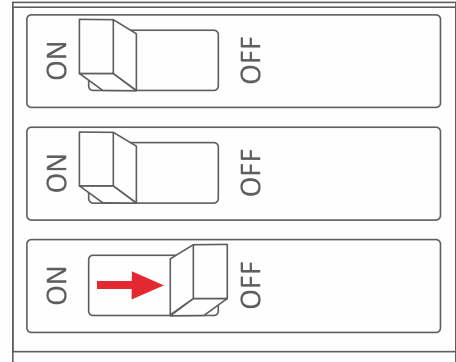


5 Steps.



1 Turning OFF power

- Turn off power at circuit breaker for the switch you are replacing with the Base Switch.



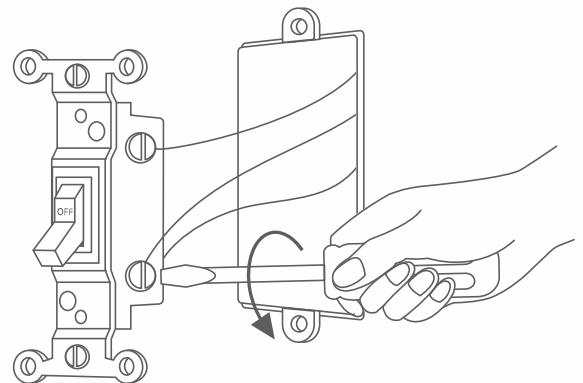
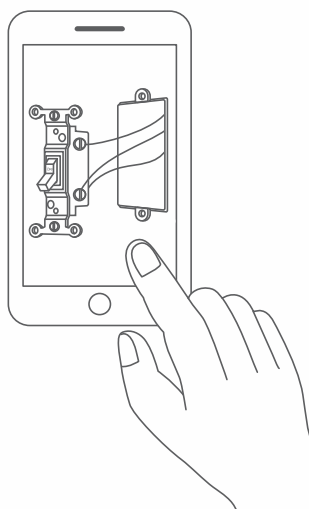
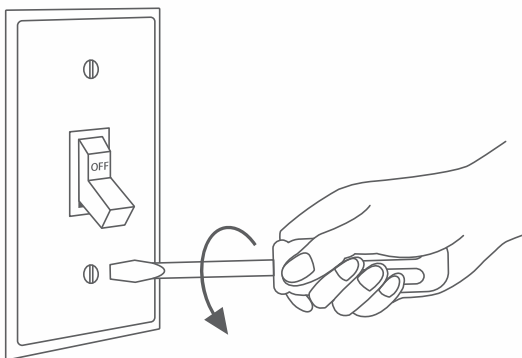
2 Removing existing switch

- Remove the wall plate; use a voltage detector to make sure that the circuit is dead.
- Unscrew the old switch from the electrical box and pull it out with the wires still attached.
Take some pictures of the wires for later reference then remove the wires from the old switch.

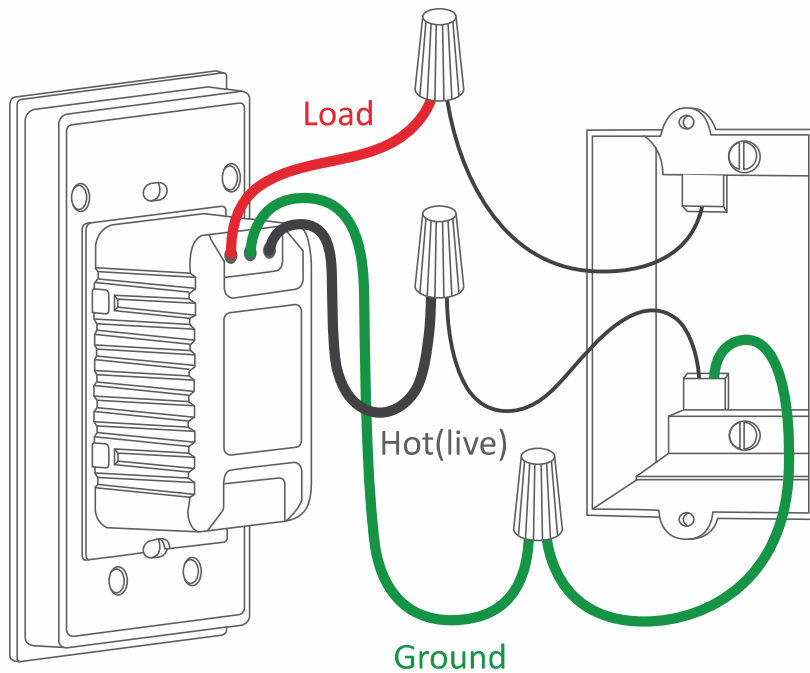
• Turn Screws To Loosen.

• Take photos of the wires

• Unscrew terminals

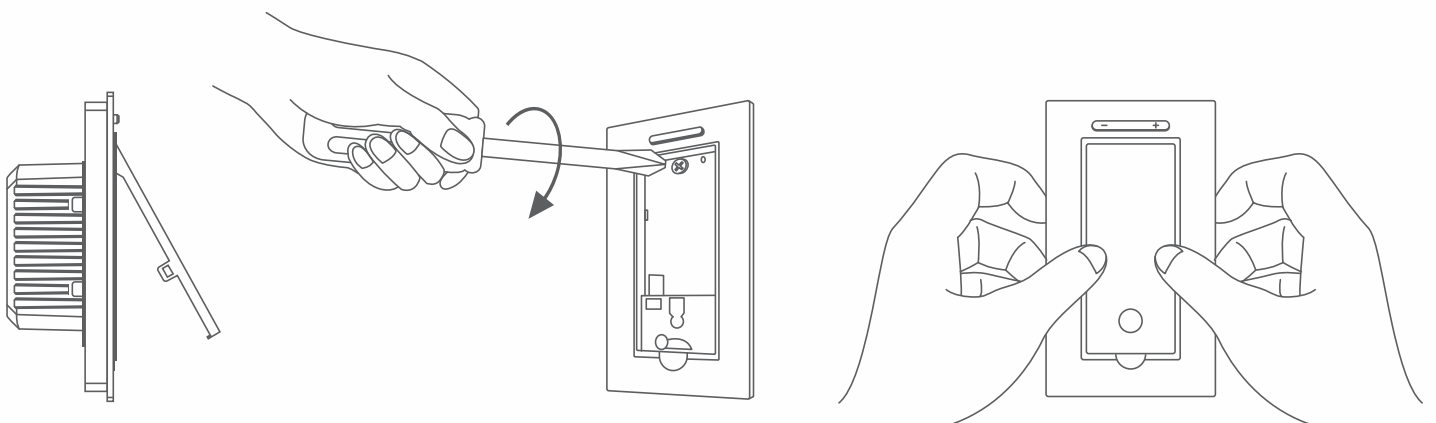


3 Wiring the Base Switch



4 Mounting the Base Switch to wallbox

- Move your finger to the semi-circle shaped dip at the bottom of the press button. Use your nail to force open the press button by pulling upwards and out.
- Insert the Base Switch into the wallbox. Then screw it in place.
- Push the main button back into the Base Switch

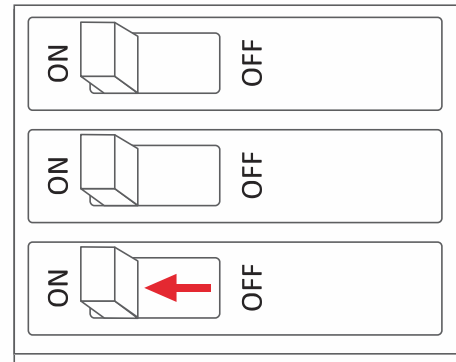


5 Turning ON power

- Turn on power at circuit breaker.
- Click the Base Switch to see if it works!
- Now you can link it to the Gecko Switch!

HINT

Remember the Base Switch and Gecko Switch is compatible with dimmable light bulbs.



Troubleshooting

Symptom	Possible Cause
Cannot turn on/off the light	<ul style="list-style-type: none">■ Wiring error.■ Burnt out light bulb.■ Check circuit breaker is turned back on.
Light flicks or on/off automatically	<ul style="list-style-type: none">■ Using the dimmer function on a light bulb that is not dimmable.■ Light bulb is less than minimal load required by the base switch. Note that light bulb must be greater than 5 watts.

FCC

The device is approved by the FCC and it complies with Part 15 of the FCC rules. Its operation is subject to the following two conditions:

1. This device may not cause harmful interference.
2. This device must accept any interference that may cause undesired operation.

WARNING Changes or modifications to this unit not expressly approved by the party responsible of compliance could void the user's authority to operate the equipment.



Technical Assistance

If you have any questions about the installation or operation of this product, please contact us at:



help@xmtlab.com



www.geckoswitch.com